

# 30M AUTO REWIND HOSE REEL

## 2500013 - User Guide

### ⚠️ WARNING ⚠️

PLEASE READ THE INFORMATION CAREFULLY AND KEEP FOR FUTURE REFERENCE

Do not use this unit for any purpose that is not explicitly specified in this User Guide.

Do not use the Hose Reel for any purpose other than that for which it is designed.

This unit is not a toy and is not suitable for use by children. Children should be supervised at all times around this unit.

This unit contains small parts and components which pose a choking hazard to children and animals. Keep these parts clear from children and pets.

Check the contents of the packaging against this User Guide to ensure there are no missing or defective parts. Never use defective parts.

Ensure the supporting surface will safely support weight of the equipment and supporting components before installation. If unsure, contact a qualified contractor for guidance.

Install only as instructed within this User Guide. Any deviation or shortcut may lead to improper installation, incorrect assembly or be considered customer misuse. Improper installation may cause damage or serious injury.

Appropriate safety gear must be worn and precautions taken when installing this unit.

The supplied mounting hardware is suitable for mounting on most types of wall. It should not be mounted on steel stud or old cinder block walls.

If the hardware you require for your wall is not included, please consult your local hardware store for guidance. If you are uncertain about the material, quality or suitability of the wall, refer to a qualified contractor for guidance.

Do not overtighten the mounting screws.

**CAUTION:** To ensure continued safety, check the unit is secure and safe to use at regular intervals (every 3 months). Take appropriate action to rectify any unstable or unsafe units.

If you do not understand these directions, or have any doubts regarding the safety of the installation, please seek advice and guidance from a qualified contractor.

Familiarise yourself with the application and limitations of the Hose Reel, as well as the specific hazards.

Do not position the Hose in direct sun light, or in areas of extreme heat or cold.

Keep extended Hose away from heat, oil and sharp edges.

Check Hose for wear before each use and ensure all connections are secure.

Maintain correct balance and footing. Ensure the floor is not slippery and wear non-slip shoes.

Always walk the Hose back to the Reel when rewinding.

Remove any loose clothing. Remove ties, watches, rings, other loose jewellery and contain and/or tie back long hair.

Do not operate the Hose Reel if any parts are damaged or missing as this may cause failure and/or personal injury.

Do not direct the Hose at yourself or others when in use.

When not in use ensure the water supply is turned off and disconnected. Disconnect from the supply and retract the Hose into its case.

**WARNING!** Do not dismantle the Hose Reel casing. To do so may result in damage to the appliance and/or personal injury and will invalidate the warranty. Internal maintenance, which will require the opening of the casing, must only be undertaken by an authorised service agent

### ⚠️ WARNING ⚠️

It is your responsibility to ensure the wall structure and fixings are capable of supporting the 30M Auto Rewind Hose Reel in a normal working environment. Check the strength of the installation before installing, and if you have any doubts regarding installation, please consult a qualified contractor.

## SAFETY SYMBOLS

Please follow the following safety and guidance.



**WARNING!** Pay attention to all safety and guidance



Read this User Guide before use



Wear eye and ear protection



Wear a dust mask

## TOOLS REQUIRED

(\*NOT SUPPLIED)



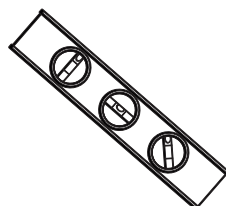
Power Drill



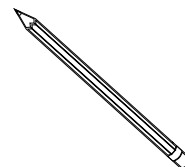
12mm Masonry Drill Bit



Adjustable Spanner

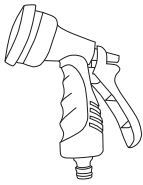


Spirit Level

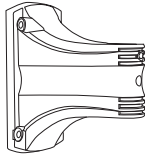


Pencil

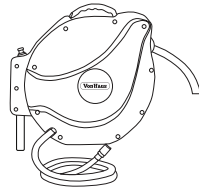
# CONTENTS



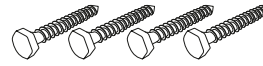
Spray Gun



Wall Bracket



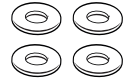
Auto Rewind Hose Reel



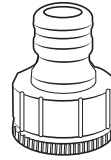
Wall Screws



Wall Anchors



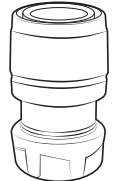
Washers



Universal Tap Adaptor

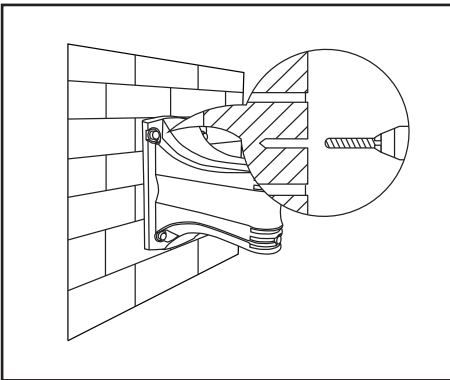


Hose Connector with Stop

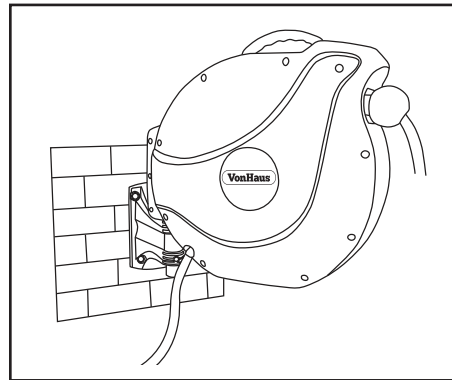


Hose Connector

## MOUNTING

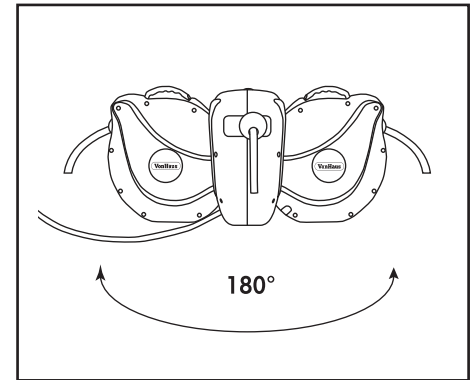


1. Select a suitable position to mount the Hose Reel, this should be approximately at waist height.

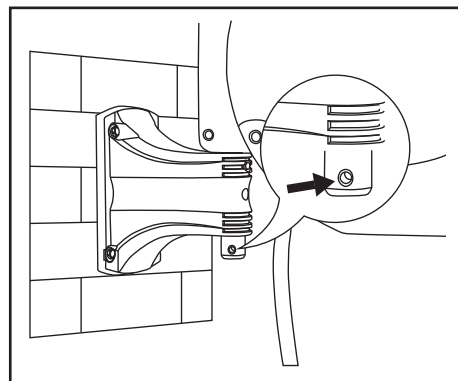


2. Using the Wall Bracket as a template, mark the location of the four holes, drill the holes using a 12mm masonry drill bit and insert the Wall Anchors.

3. Align the Wall Bracket to the wall and secure into place using the Washers and Wall Screws.



4. Attach the Tap to Reel connector to your tap using the Universal Tap Adaptor. Test to ensure the Reel rotates 180° without causing strain on the tap to Reel.



5. Place the Hose Reel into the post.

**NOTE:** There is a hole located at the top of the post, this is for you to secure using a padlock (Not supplied).

## USAGE

1. Before first use, turn the water on at the tap and unwind the Hose. The Hose will unwind by simply taking hold of the Hose and walking away from the Reel. This will allow water to flow freely through the Hose and Reel.

2. The automatic locking ratchet will hold the Hose in place at the desired length. The mechanism will "click" as the Hose is locked into place.

3. To retract the Hose, pull on the Hose until you feel the Reel release and start to retract the Hose. It is recommended that you walk the Hose back to the Reel.

4. Before fully retracting the Hose, turn off the tap and release any water through the Spray Gun. Always retract the Hose after use.

# USER NOTES

---

---

## CUSTOMER SERVICE

---

If you are having difficulty using your product and require support, please contact [hello@domu.co.uk](mailto:hello@domu.co.uk)

## DISPOSAL INFORMATION

---

Please recycle where facilities exist. Check with your local authority for recycling advice.

## WARRANTY

---

To register your product and find out if you qualify for a free extended warranty go to:

[www.VonHaus.com/warranty](http://www.VonHaus.com/warranty).

Please retain a proof of purchase receipt or statement as proof of the purchase date.

The warranty only applies if the product is used solely in the manner indicated in the User Guide, and all other instructions have been followed accurately. Any abuse of the product or the manner in which it is used will invalidate the warranty.

Returned goods will not be accepted unless re-packaged in its original box and accompanied by a relevant and completed returns form. This does not affect your statutory rights.

No rights are given under this warranty to a person acquiring the product second-hand or for commercial or communal use.

## COPYRIGHT

---

All material in this User Guide are copyrighted by DOMU Brands. Any unauthorised use may violate worldwide copyright, trademark, and other laws.

Thank you for purchasing the 30M Auto Rewind Hose Reel.

VonHaus® is a registered trademark of DOMU Brands Ltd  
Made in China for DOMU Brands Ltd M24 2RW

**VonHaus**