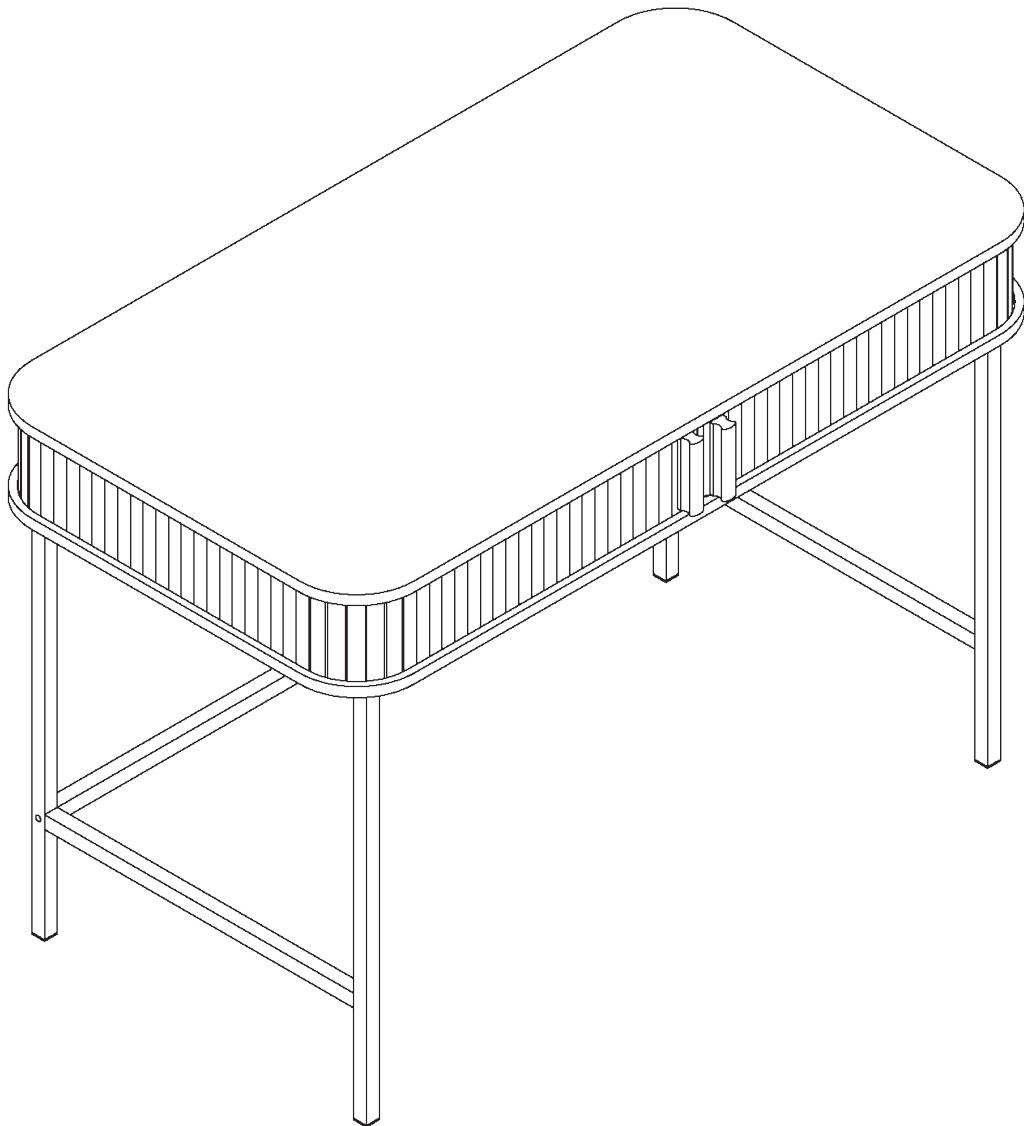


vonhaus

LANDOS DESK



Setup Instructions

Product No. 4000676



Assembly Time
60 Minutes



Max Weight (Table)
50 kg

Need further help?
support@vonhaus.com

Besoin d'aide supplémentaire ?
support@vonhaus.com

Benötigen Sie weitere Hilfe?
support@vonhaus.com

Necesita más ayuda?
support@vonhaus.com

Hai bisogno di ulteriore assistenza?
support@vonhaus.com

See our full range at
www.vonhaus.com








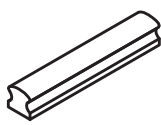



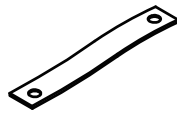

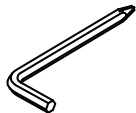
Découvrez notre gamme complète sur
www.vonhaus.com

**Entdecken Sie unser gesamtes
Sortiment auf**
www.vonhaus.com

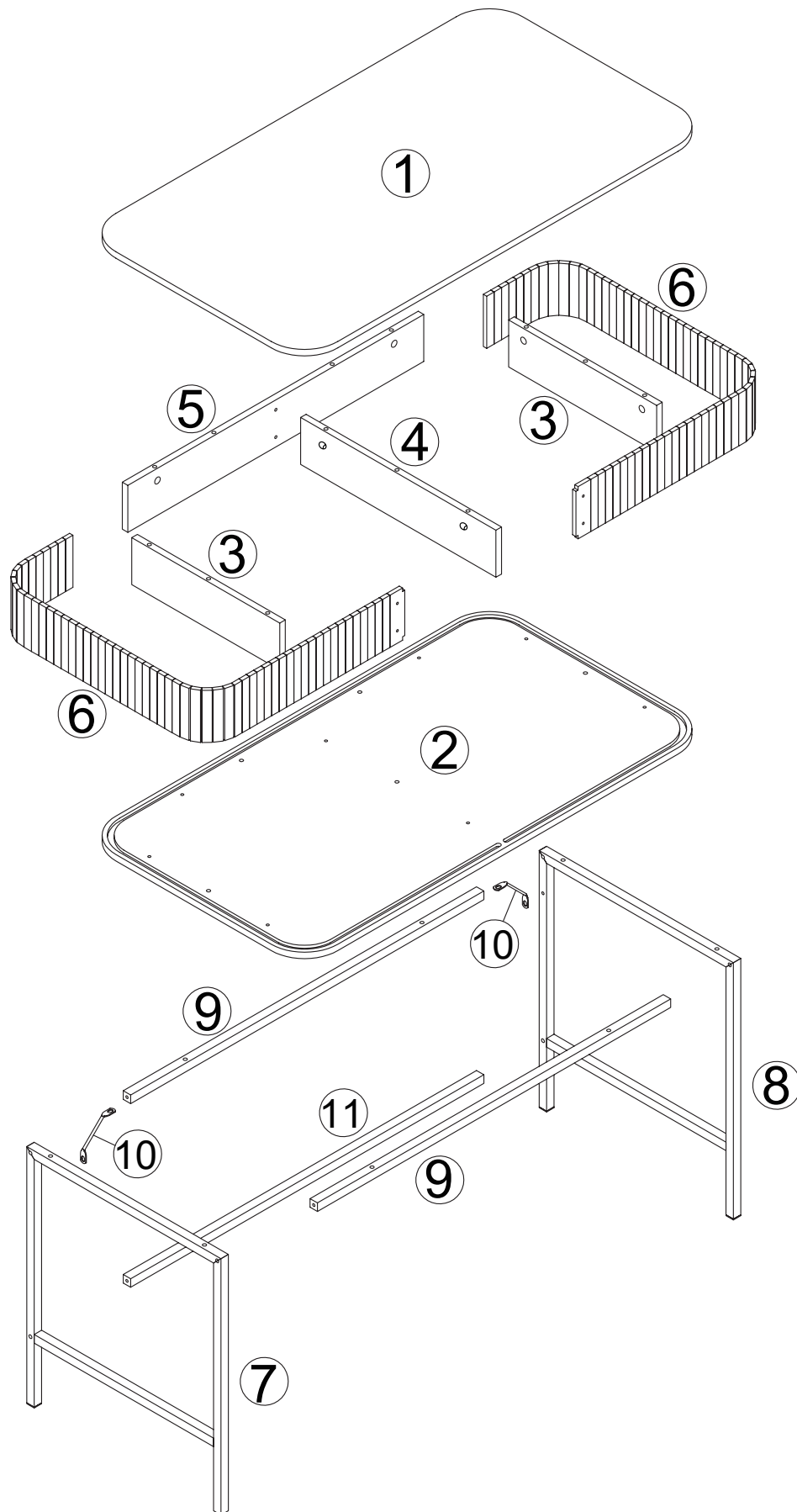
Descubra toda nuestra gama en
www.vonhaus.com

Scopri tutta la nostra gamma su
www.vonhaus.com

Components

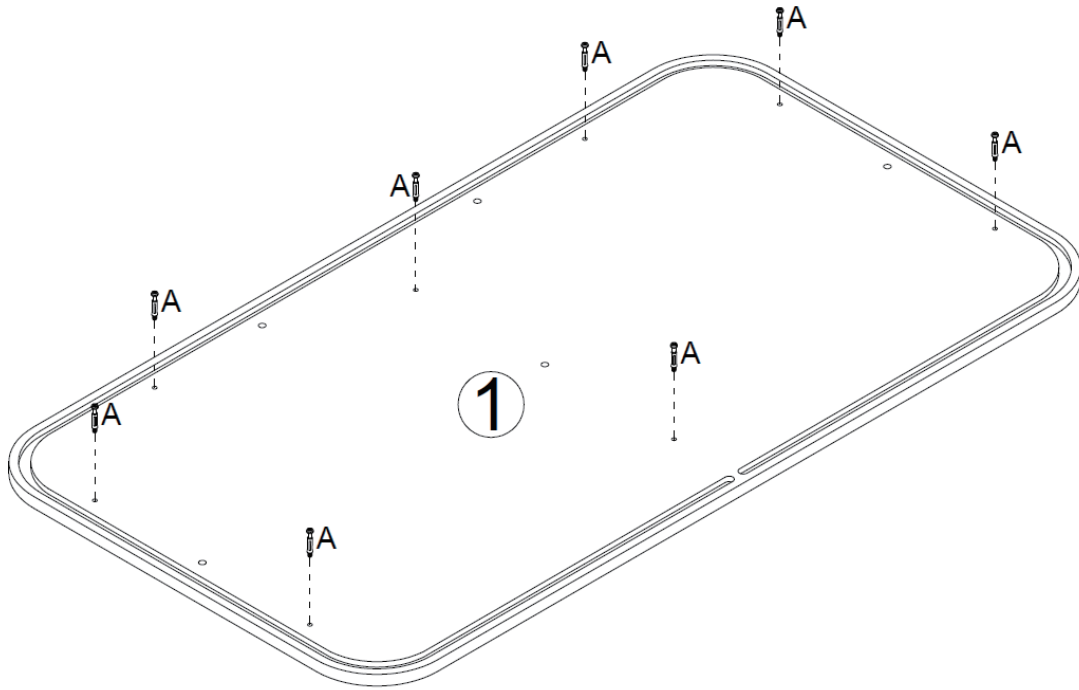
| | | | |
|---|-----|--|--|
| A | X8 |  | |
| | | M6x35mm | |
| B | X8 |  | |
| | | Ø15x9mm | |
| C | X4 |  | |
| | | M6x12mm | |
| D | X8 |  | |
| | | M6x30mm | |
| E | X6 |  | |
| | | M6x40mm | |
| F | X10 |  | |
| | | M5x40mm | |
| G | X4 |  | |
| | | M4x14mm | |
| H | X2 |  | |
| | | | |
| I | X10 |  | |
| | | Ø8x30mm | |
| J | X2 |  | |
| | | M4x35mm | |
| K | X2 |  | |
| | | | |
| L | X2 |  | |
| | | 200x20mm | |
| M | X2 |  | |
| | | M3.5x12mm | |
| N | X1 |  | |
| | | 4mm | |

Components

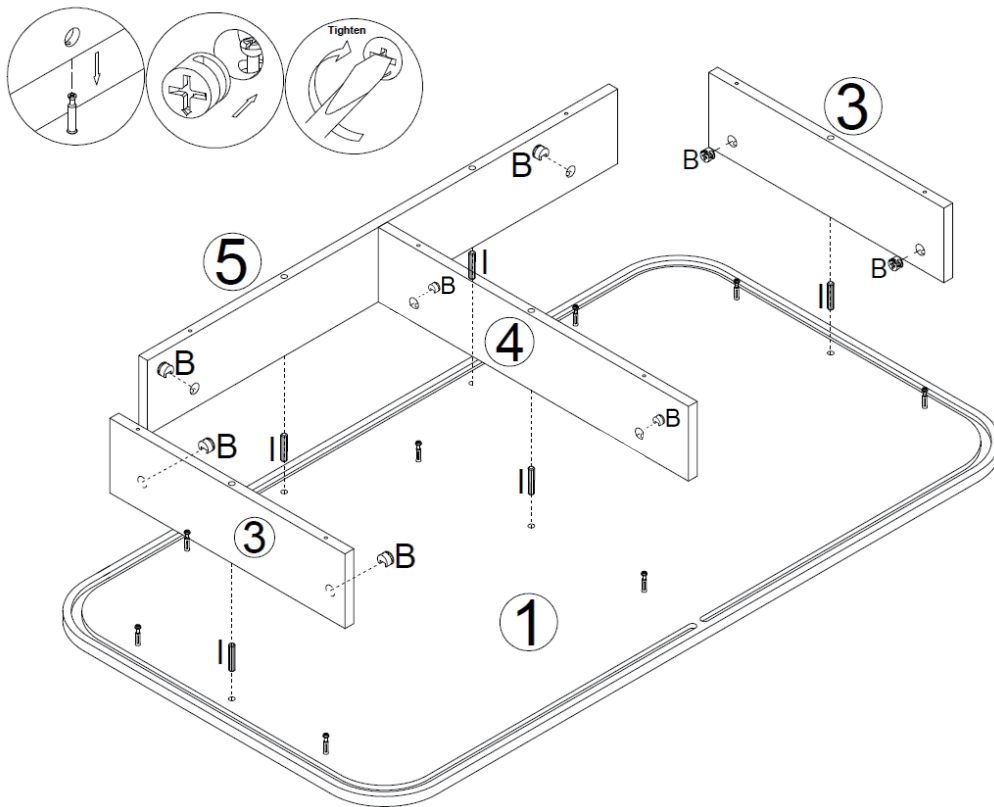


Assembly

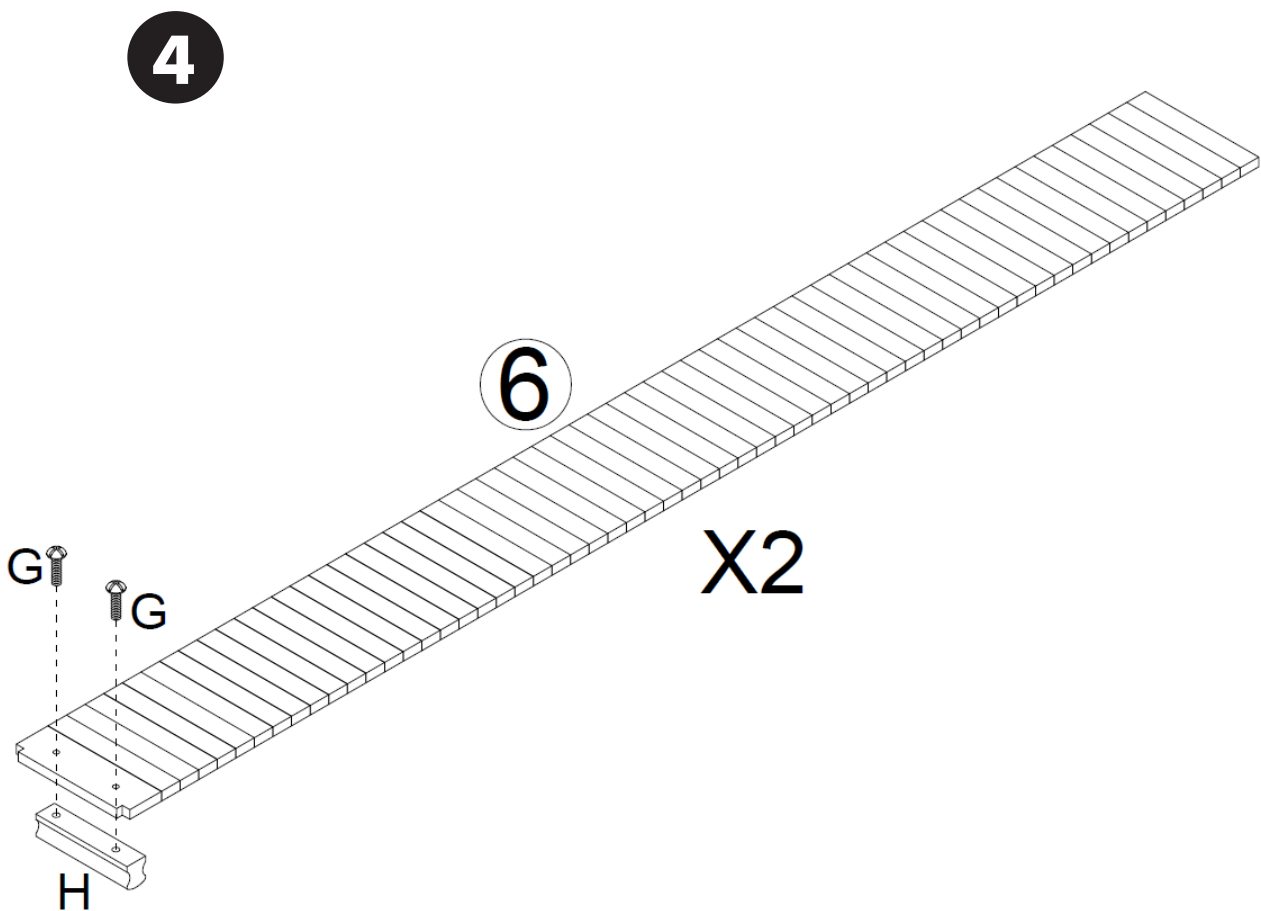
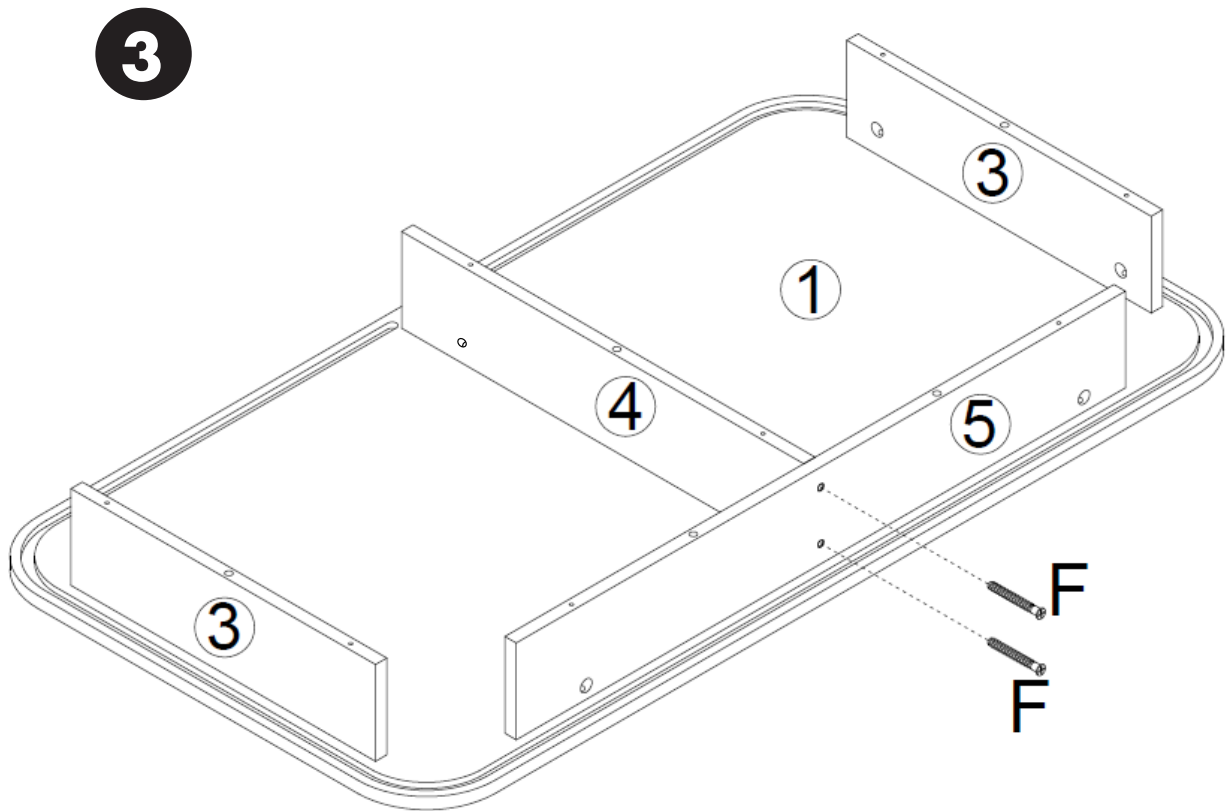
1



2

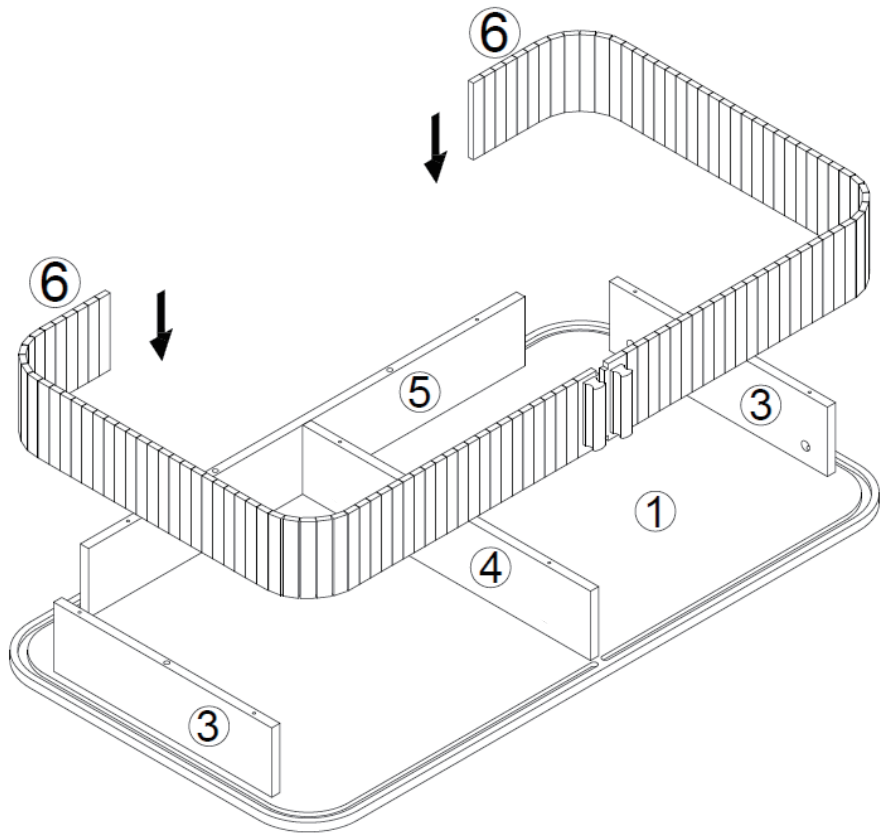


Assembly

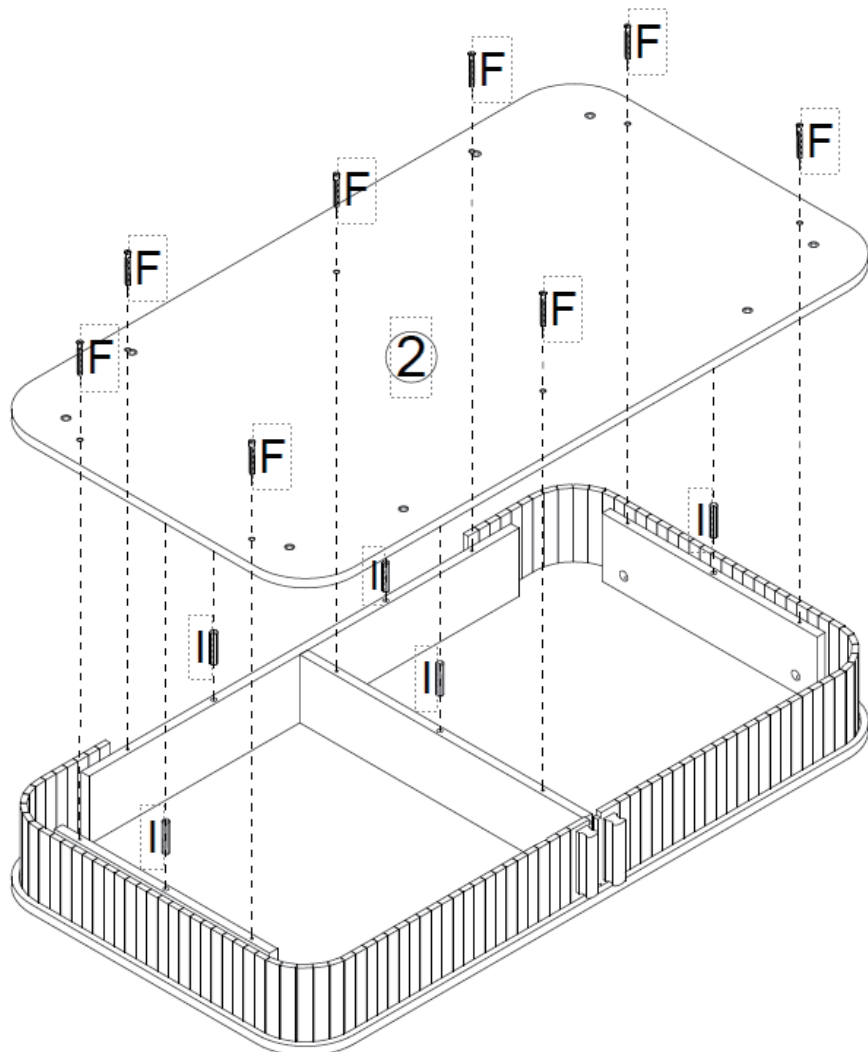


Assembly

5

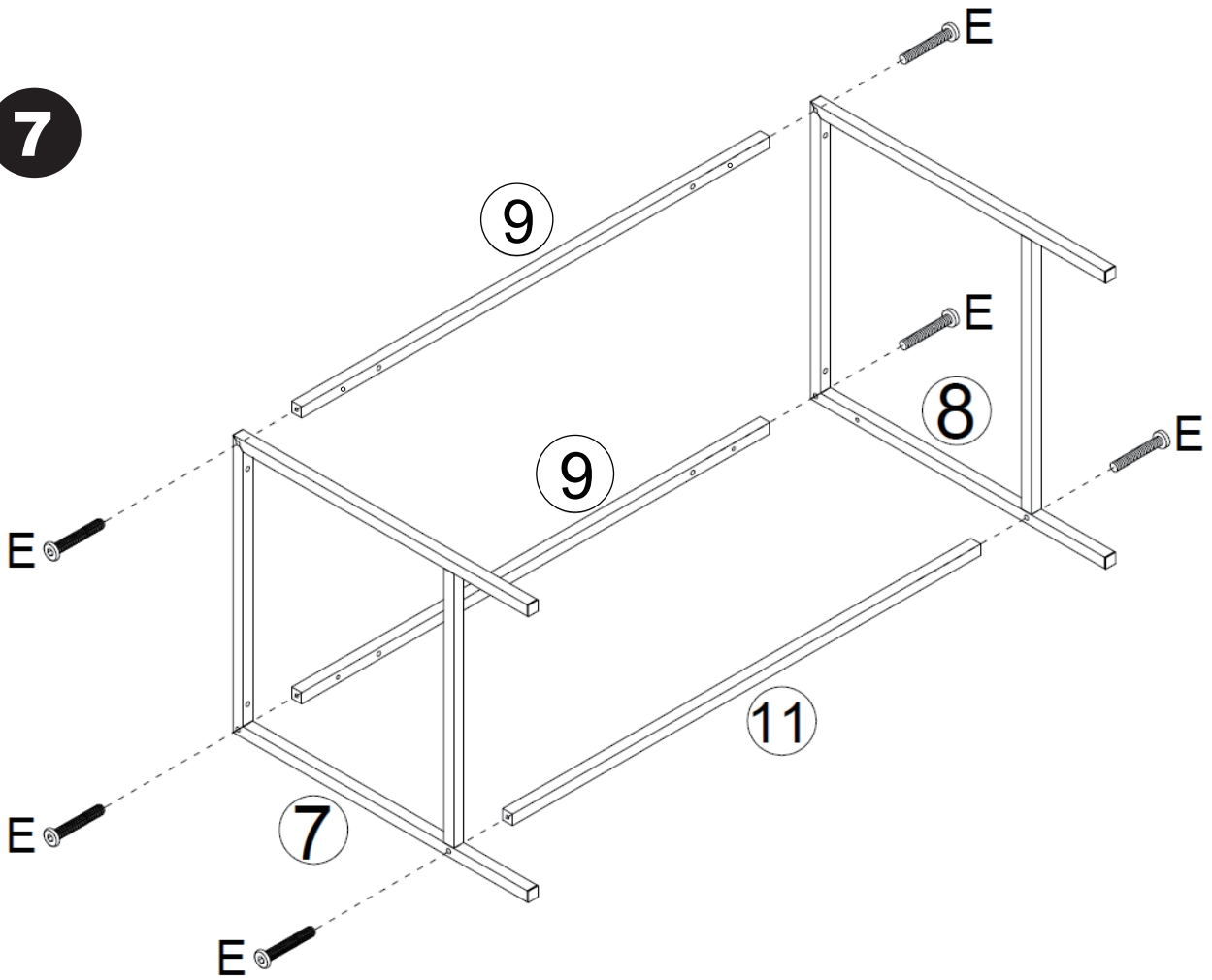


6

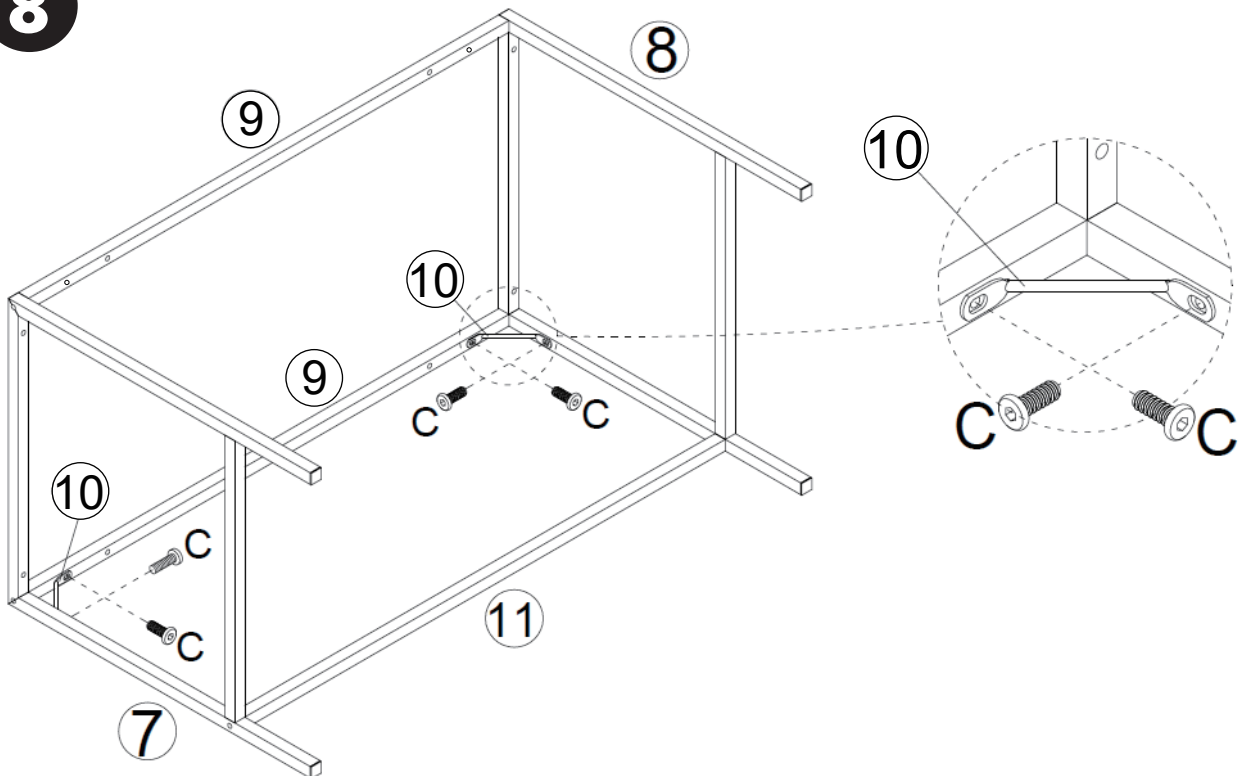


Assembly

7

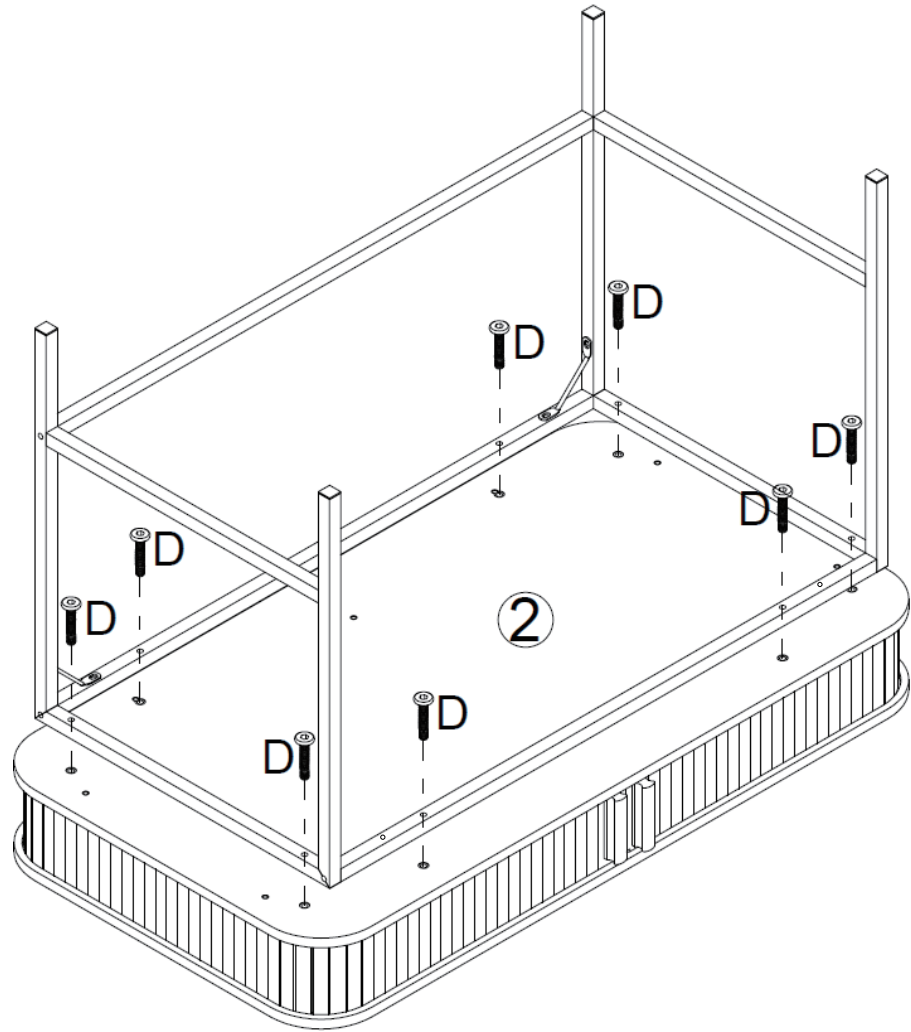


8

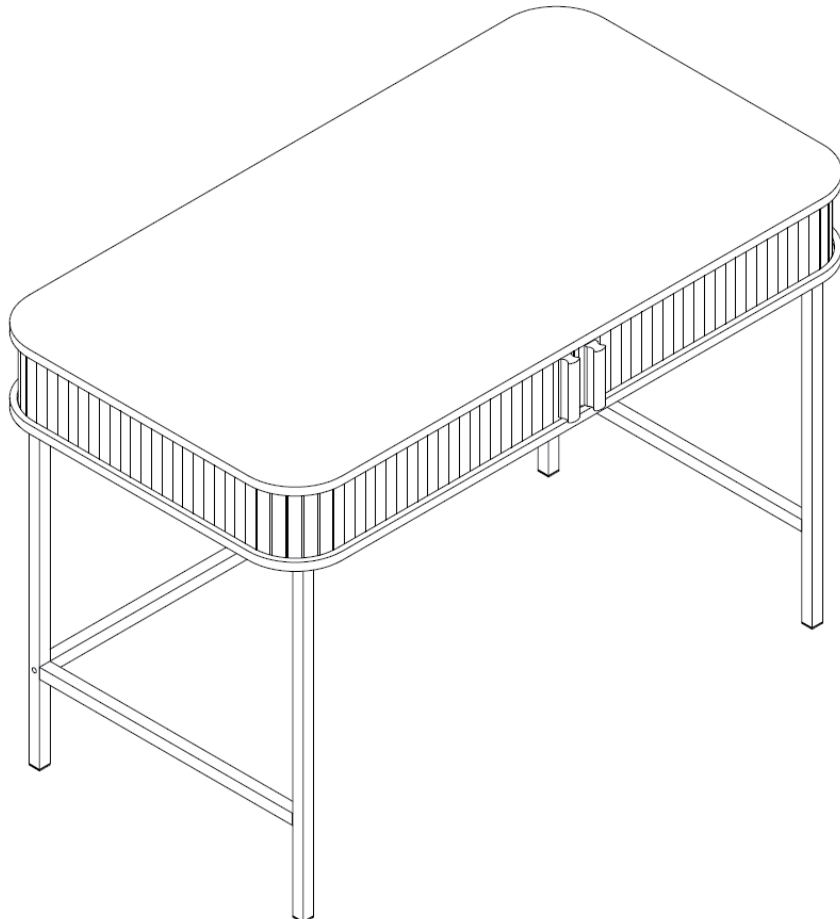


Assembly

9

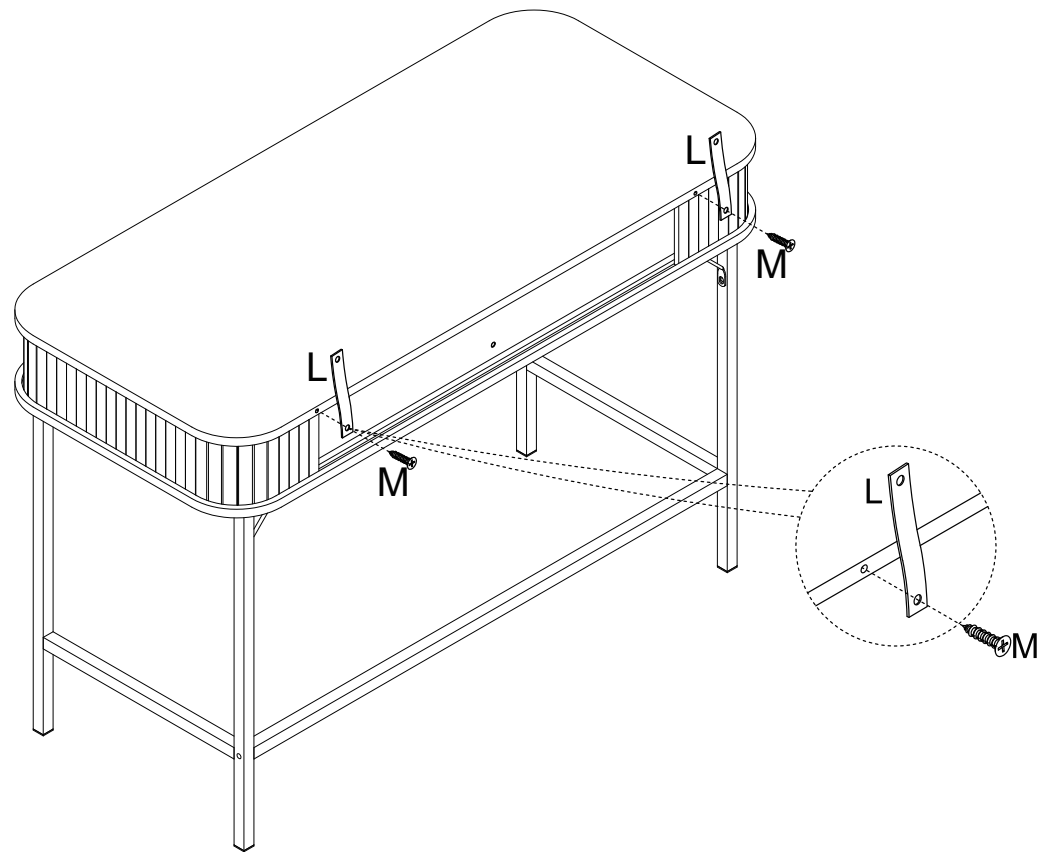


10

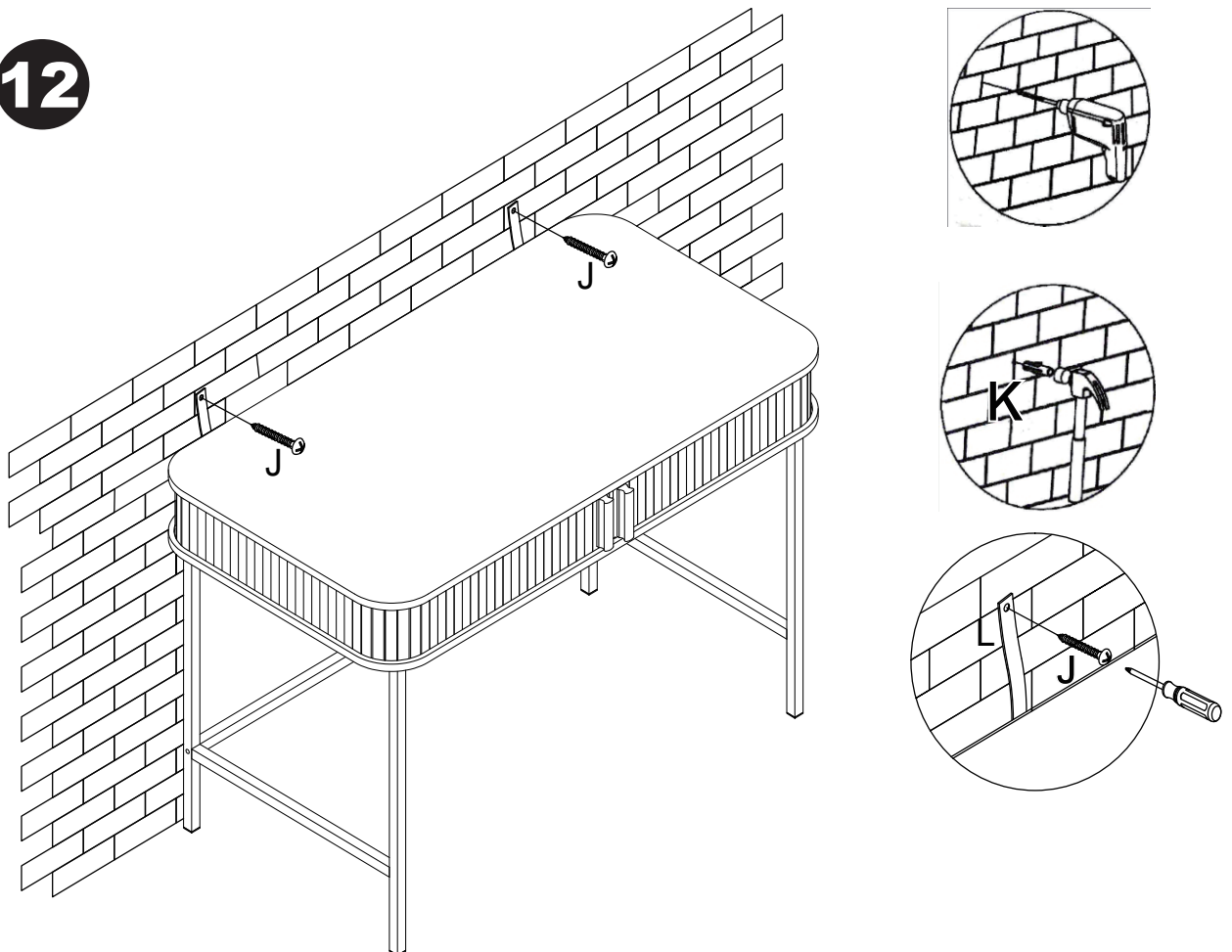


Assembly

11



12



Information

Maintenance

- Dust the furniture regularly to keep surfaces clean.
- Tighten screws and bolts periodically to ensure stability.
- Use a damp cloth to wipe down surfaces and remove grime.
- Polish wooden surfaces to maintain their shine and protect them.
- Check for any signs of wear and repair as needed.
- The runners the doors sit into has a fine wax coating, over time if the doors become stiff or harder to slide open you can use a small amount of household candle wax to ensure the runners glide smoothly to open and close.

Health & Safety

- Do not overload this furniture.
- Clean spills immediately to prevent stains.
- Avoid placing furniture on uneven surfaces to prevent tipping.
- Ensure correct construction and installation to avoid risk of injury or damage to the product.

Troubleshooting

Why is my furniture wobbly? Tighten all screws and bolts and check for any structural damage.

What should I do if a drawer is sticking? If a drawer is sticking, apply a lubricant like wax or soap to the drawer slides.

Thank You

Thank you for purchasing your product/appliance.

Should you require assistance with your purchase, please contact us at support@domu.co.uk

VonHaus is a registered trademark of DOMU Brands Ltd.

Made in China for DOMU Brands. Unit 30, Stakehill Industrial Estate, Middleton, Manchester, M24 2RW

Authorised Representative

Authorised Representative Service
77 Camden Street Lower
Dublin, D02 XE80, Ireland

Legal

DISPOSAL INFORMATION

Please recycle where facilities exist. Check with your local authority for recycling advice.

CUSTOMER SERVICE

If you are having difficulty using this product and require support, please contact support@vonhaus.com

WARRANTY

To register your product and find out if you qualify for a free extended warranty please go to www.vonhaus.com/warranty.

Please retain a proof of purchase receipt or statement as proof of the purchase date.

The warranty only applies if the product is used solely in the manner indicated in the warnings page of this manual, and all other instructions have been followed accurately.

Any abuse of the product or the manner in which it is used will invalidate the warranty.

RETURNS

Returned goods will not be accepted unless re-packaged in its original packaging and accompanied by a relevant and completed returns form. This does not affect your statutory rights.

No rights are given under this warranty to a person acquiring the appliance second-hand or for commercial or communal use.

COPYRIGHT

All material in this instruction manual are copyrighted by DOMU Brands.

Any unauthorised use may violate worldwide copyright, trademark, and other laws.



Product No. 4000676