

3519035



Please read all instructions carefully before use and retain for future reference.



Protect your eyes.



CAUTION Sharp edges.



This product is not suitable for use by children or by individuals with physical, sensory, or mental impairments that may limit their ability to operate the equipment safely, unless they have been given supervision or instruction concerning the safe use of the product by a person responsible for their safety. Improper use may result in serious injury. Always ensure the operator is capable of understanding and following all safety instructions provided in this manual.



Protect your hands.

Basic safety precautions should always be followed when using hand tools.

GENERAL PRECAUTIONS This tool is not intended for use by persons (including children) with reduced physical, sensory or mental capabilities, or lack of experience or knowledge, unless supervised and given appropriate instruction regarding the correct use of the tool by a person responsible for their safety.

This tool is not a toy. Keep away from children and animals. Children and pets should be supervised to ensure they are kept away from the work area.

Never use hand tools as power tool accessories. You should never combine the use of a power tool with a manual tool unless specified as doing so can cause serious personal injury. Do not use the tool for anything other than its intended use.

Always secure your workpiece. Smaller workpieces should be secured using a vice or clamp during use.

WORK AREA SAFETY Keep your work area clean and well lit. Cluttered or dark areas invite accidents.

Do not use tools in explosive atmospheres, such as in the presence of flammable liquids, gases or dust. Use of some tools can create sparks which may ignite the dust or fumes. Keep children, pets and bystanders away whilst using the tool. Distractions can cause you to lose control.

Shut off any live electrical equipment around your work area before commencing work with any non-insulated tool. Only use insulated tools and tools with appropriate IEC/VDE working on live electrical applications.

Let's get started!

Visit our product hub for useful tips and tricks on getting the most out of your new product.

SCAN ME



BEFORE USE Do not use hand tools whilst you are tired or under the influence of drugs, alcohol or medication. A moment of inattention whilst using tools may result in serious personal injury.

Use safety equipment. Always wear eye protection. Safety equipment such as a dust mask, non-skid safety shoes, hard hat, safety gloves or hearing protection used for appropriate conditions will reduce the risk of personal injury. Dress appropriately. Do not wear loose clothing or jewellery. Keep your hair, clothing and gloves away from moving parts. Loose-fitting clothes, jewellery or long hair can become caught in moving parts.

It is recommended to fully sharpen tools before first use (where applicable). Become familiar with the tool. Practice use of the tool on scrap material until you are familiar with the correct handling, use and limitations of the tool. If devices are provided for the connection of dust extraction and collection facilities, ensure these are connected and properly used. Use of these devices can reduce dust-related hazards.

IMPORTANT SAFETY INFORMATION FOR USE Use the tool, accessories and tool bits in accordance with these instructions and in the manner intended for the particular type of tool, taking into account the working conditions and the work to be performed. Use of the tool for operations different from those intended could result in a hazardous situation.

Stay alert, watch what you are doing, and use common sense when using the tool.

Beware of sharp edges. Handle sharp-edged and pointed tools with care. Ensure sharp-edged and pointed tools are kept sharp as this will make them easier to control.

Always cut away from yourself when using cutting or sharp-edged tools.

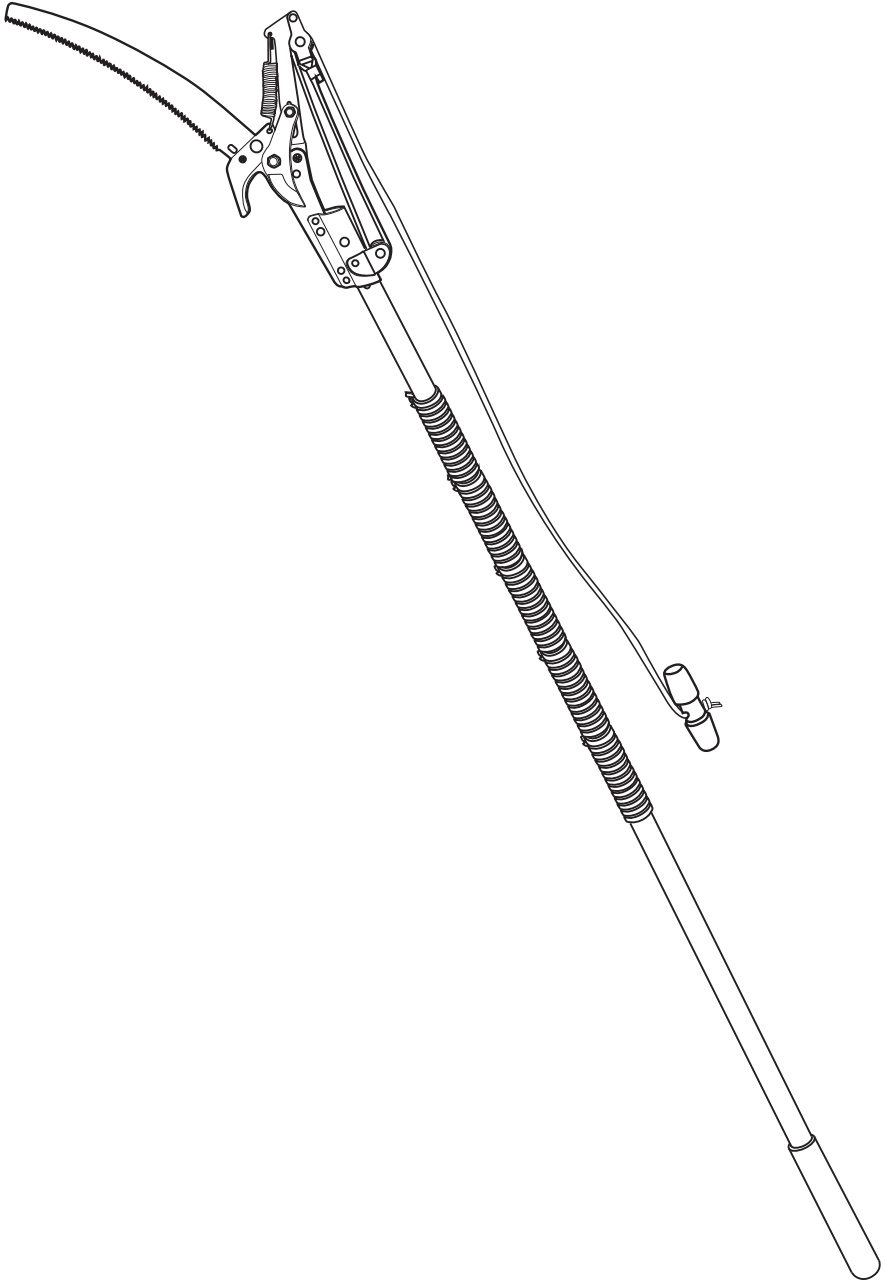
Always carry sharp-edged and pointed tools by your side with the point and heavy ends pointing downwards.

Do not force the tool. Always use the correct tool for your application. The correct tool will do the job better and more safely at the rate for which it was designed.

Do not overreach. Keep proper footing and balance at all times. This will enable better control of the tool in unexpected situations.

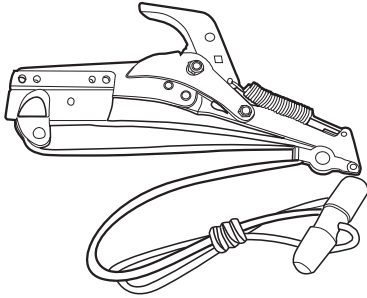
Always use the correct type of tool for the type of material being worked on.

NOTE The above list is non-exhaustive and is recommended as a basic level of protection for general tasks. Before starting any task, refer to your local hardware store or a professional for advice on which safety equipment would be best suited to the task at hand.

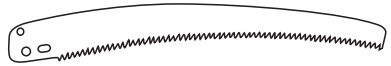




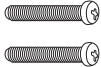




pole X1



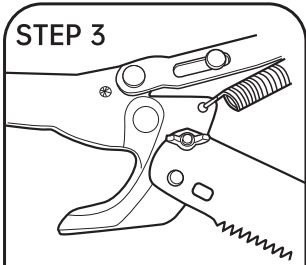
pruner X1



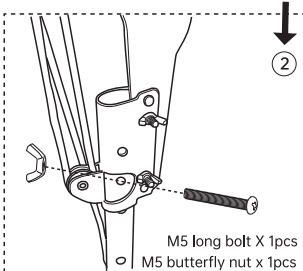
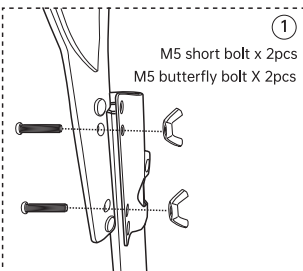
Saw X1

Image					
Description	<p>M5 Short Bolt X2 PCS</p>	<p>M6 Carriage Bolt X1 PCS</p>	<p>M5 Long Bolt X1 pcs</p>	<p>Butterfly nut M5 X 3 pcs</p>	<p>Butterfly nut M6 X 1 PCS</p>

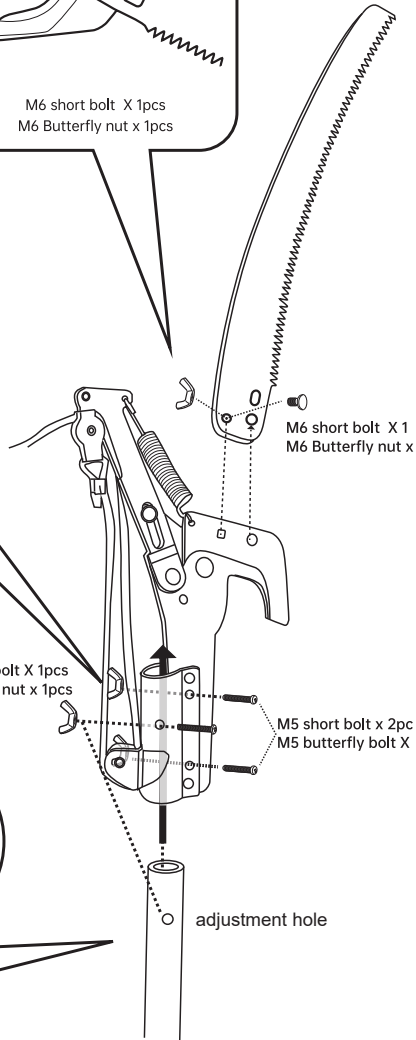
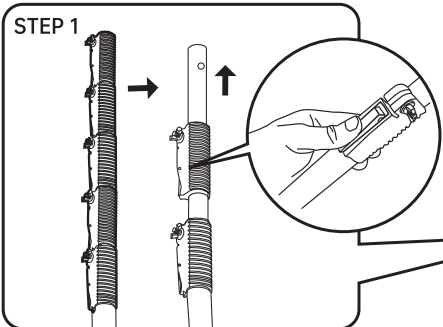
STEP 3



STEP 2



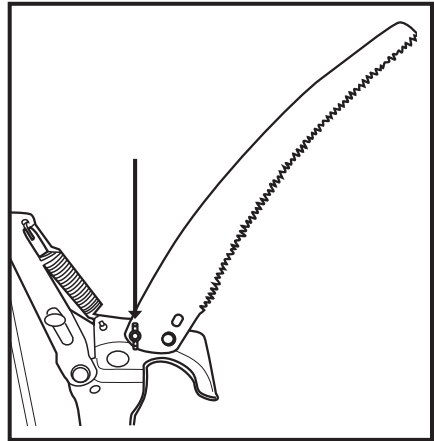
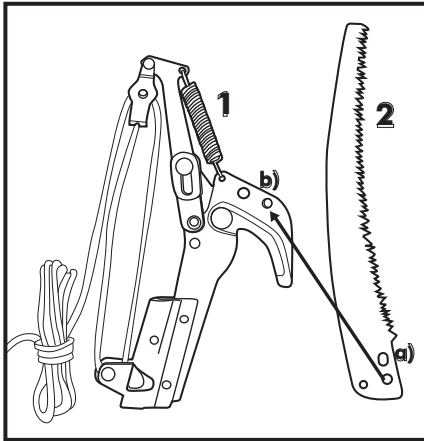
STEP 1



Step 1)

To attach the saw blade, firstly mount the blade on the blade host (points a & b).

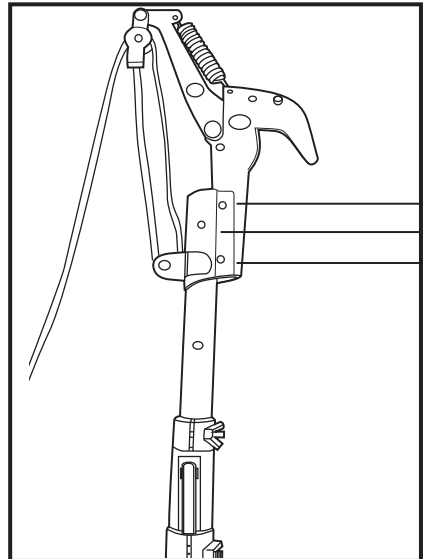
Line the blade's square hole with the square hole on the pole head and screw tight using the M6 Carriage short Bolt short and M6 Butterfly Nut provided.



Step 2)

Align the middle holes of the handle with the corresponding holes of the saw head and on the two outer holes, use the 2 x M5 Short Bolts and 2 x M5 Butterfly Nuts provided to screw tight.

Then use the M5 Long Bolt and M5 Butterfly Nut to secure the telescopic pole tightly.



How to extend and retract the pole

To extend the pole, apply pressure to the clasps and pull apart. Similarly, press down on the clasps and retract the pole so both clasps meet to fully retract the tree pruner.

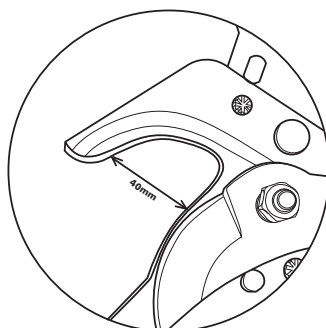
For best results keep pole length at the minimum required to cut branches, this will ensure a lower center of gravity and an easier cut.

How to cut branches

For best results, use the lopper function on branches up to 40mm thick. For larger branches use the main saw function.

Maintenance & Repair

- *Wipe with a dry cloth after use to prevent rusting.
- *Keep in a dry place to avoid rusting.
- *Apply blade oil and lubricants to the lopper blades to avoid corrosion



Max cut 40mm

Attention !

Don't stand directly under branches being cut

Wear eye protection

Wear protective gloves

Store safely with blade cover on

Do not use the pruner near overhead electricity lines
Before each use, check that all the screws are tight

Do not use while standing on a ladder



DISPOSAL INFORMATION Please recycle where facilities exist. Check with your local authority for recycling advice.

CUSTOMER SERVICE If you are having difficulty using this product and require support, please contact support@vonhaus.com

WARRANTY To register your product and find out if you qualify for a free extended warranty please go to www.vonhaus.com/warranty. Please retain a proof of purchase receipt or statement as proof of the purchase date. The warranty only applies if the product is used solely in the manner indicated in the warnings page of this manual, and all other instructions have been followed accurately. Any abuse of the product or the manner in which it is used will invalidate the warranty. Returned goods will not be accepted unless re-packaged in its original packaging and accompanied by a relevant and completed returns form. This does not affect your statutory rights. No rights are given under this warranty to a person acquiring the appliance second-hand or for commercial or communal use.

COPYRIGHT All material in this instruction manual are copyrighted by DOMU Brands. Any unauthorised use may violate worldwide copyright, trademark, and other laws.

THANK YOU

Thank you for purchasing your product/product. Should you require further assistance with your purchase, you can contact us at

support@vonhaus.com

Vonhaus is a registered trademark of DOMU Brands Ltd. Made in China for DOMU Brands. Unit 30, Stakehill Industrial Estate, Middleton, Manchester M24 2RW.