

PORTABLE SPOT CLEANER

Product Instructions

Product No. 2000288

vonhaus

Let's get started!

Visit our product hub for useful tips and tricks on getting the most out of your new product.

SCAN ME



Need further help?
support@vonhaus.com

Besoin d'aide supplémentaire ?
support@vonhaus.com

Benötigen Sie weitere Hilfe?
support@vonhaus.com

Necesita más ayuda?
support@vonhaus.com

Hai bisogno di ulteriore assistenza?
support@vonhaus.com

See our full range at
www.vonhaus.com

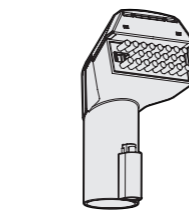
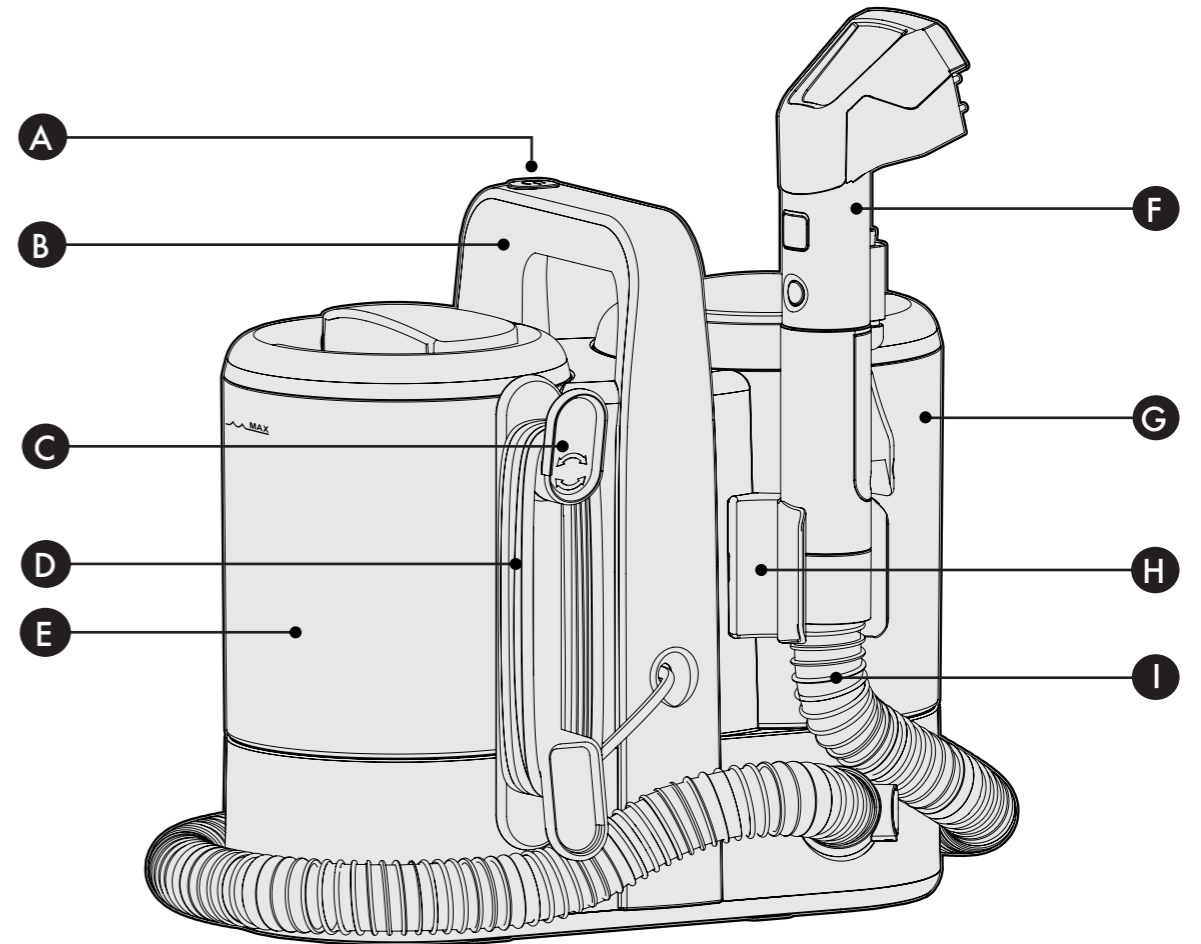
Découvrez notre gamme complète sur
www.vonhaus.com

Entdecken Sie unser gesamtes Sortiment auf
www.vonhaus.com

Descubra toda nuestra gama en
www.vonhaus.com

Scopri tutta la nostra gamma su
www.vonhaus.com

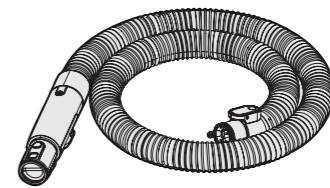
Parts & Components



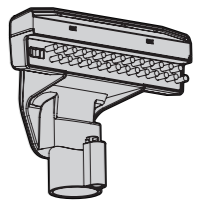
F



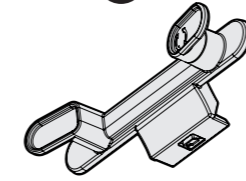
H



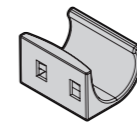
I



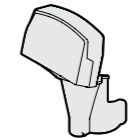
J



C



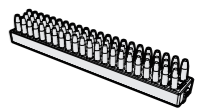
K



L



M



N

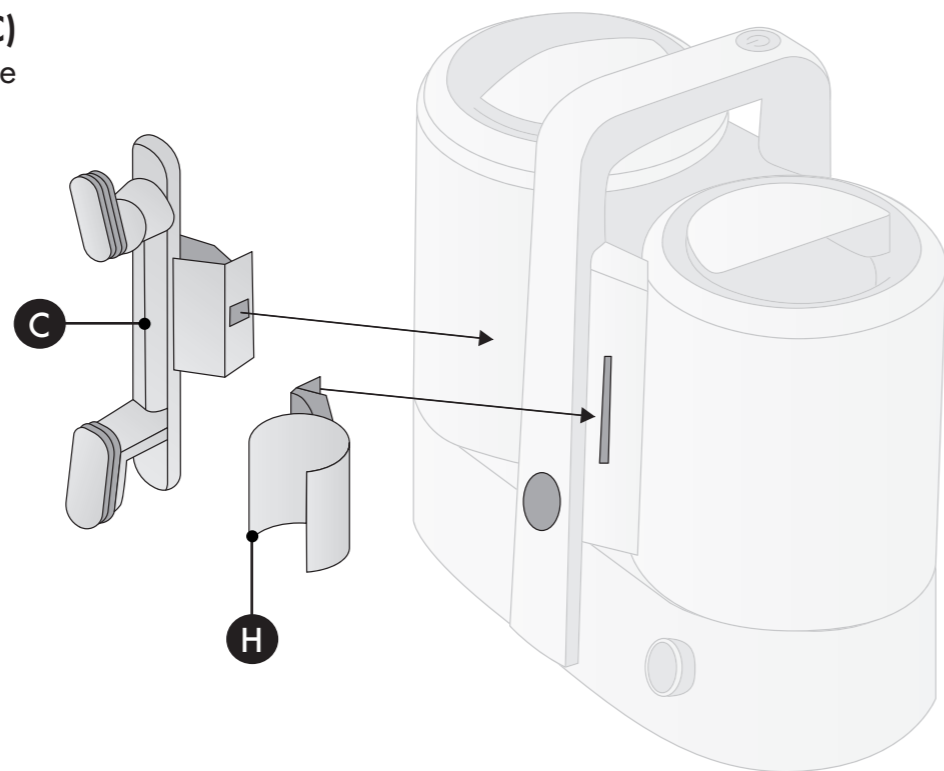
- A. On/Off Switch
- B. Handle
- C. Power Cord Hook
- D. Power Cord
- E. Clean Water Tank
- F. Small Brush Head
- G. Dirty Water Tank

- H. Hook for Brush
- I. Hose
- J. Large Brush Head
- K. Hose Hook
- L. Self Cleaning Brush Head
- M. Self Cleaning Hose Nozzle
- N. Large Pet Brush

Assembly

1

Attach the power cord hook (C) and hook for the brush (H) to the back of the machine



2



Attach the hose hook (K) to the front of the machine by sliding it in from right to left.

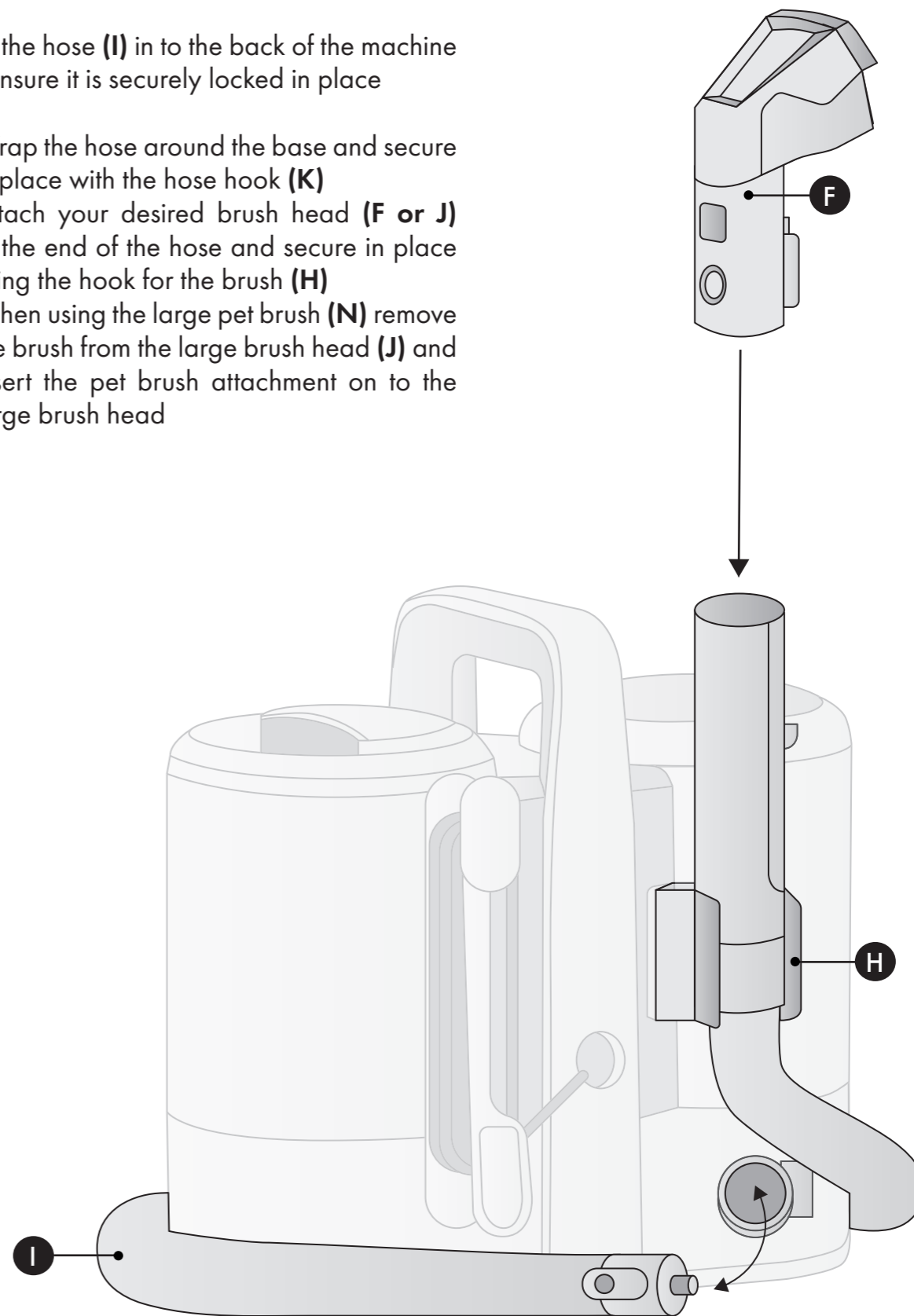
It will be securely fixed when you hear a lock tone

Assembly

3

Insert the hose (I) in to the back of the machine and ensure it is securely locked in place

- Wrap the hose around the base and secure in place with the hose hook (K)
- Attach your desired brush head (F or J) to the end of the hose and secure in place using the hook for the brush (H)
- When using the large pet brush (N) remove the brush from the large brush head (J) and insert the pet brush attachment on to the large brush head



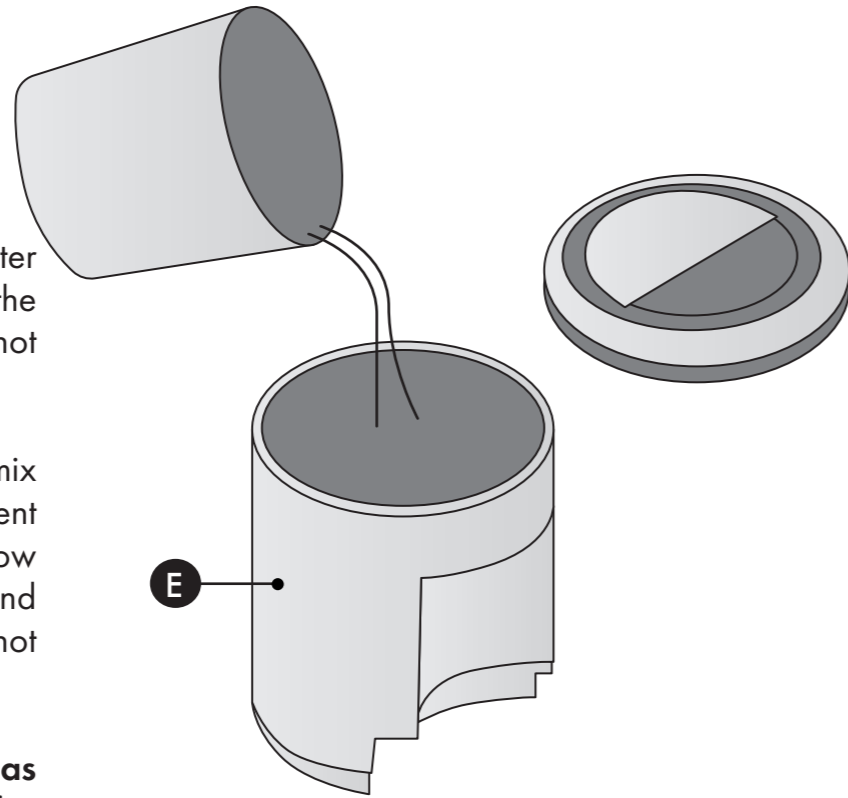
Assembly

4

Unscrew the lid of the clean water tank by turning anticlockwise. Fill the tank up with warm water but do not exceed the maximum fill line

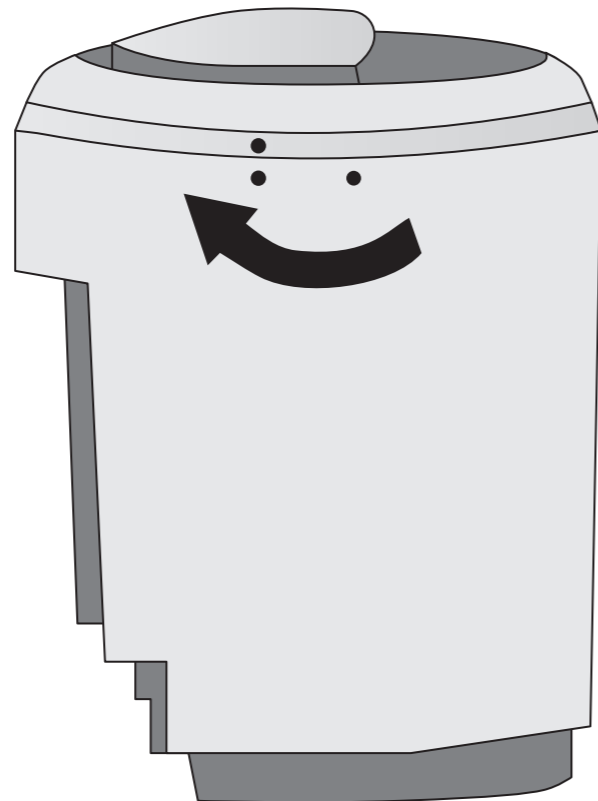
- For stubborn stains, you can mix water with spot cleaning detergent directly in the water tank. Follow the detergent guidelines and ensure the maximum fill line is not exceeded

Do not use carpet shampoo as this foams and it not suitable for this type of product



5

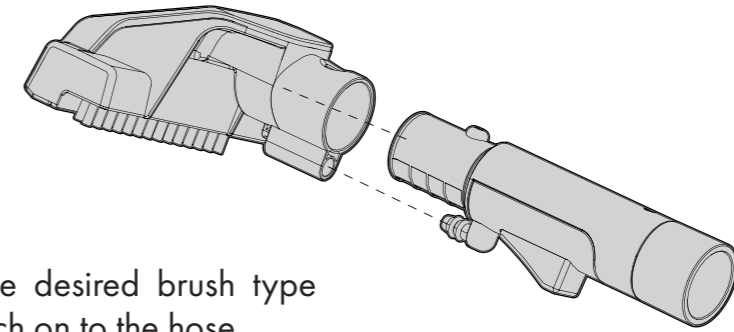
- Secure the lid back on the water tank by aligning the solid circle on the lid with the hollow circle on the tank
- Turn the cover clockwise until it clicks and place the water tank back in to the machine



Operation

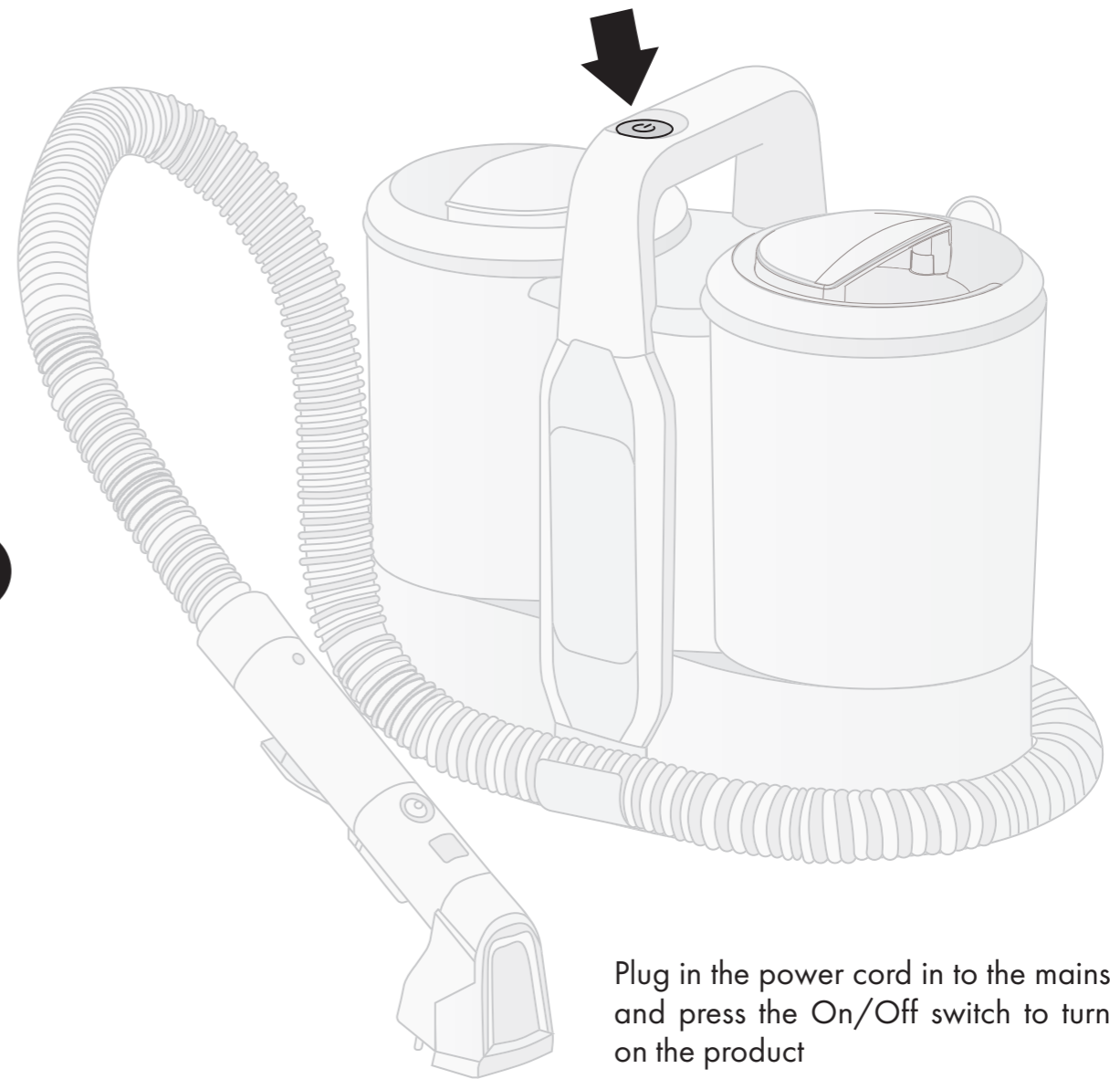
1

Select the desired brush type and attach on to the hose



2

Plug in the power cord in to the mains and press the On/Off switch to turn on the product

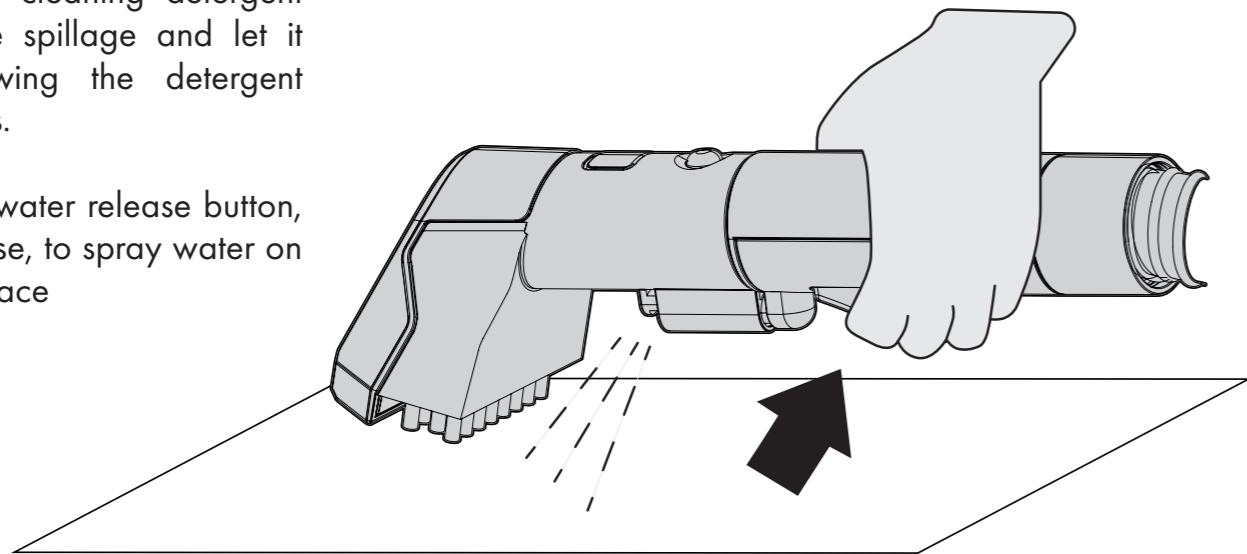


Operation

3

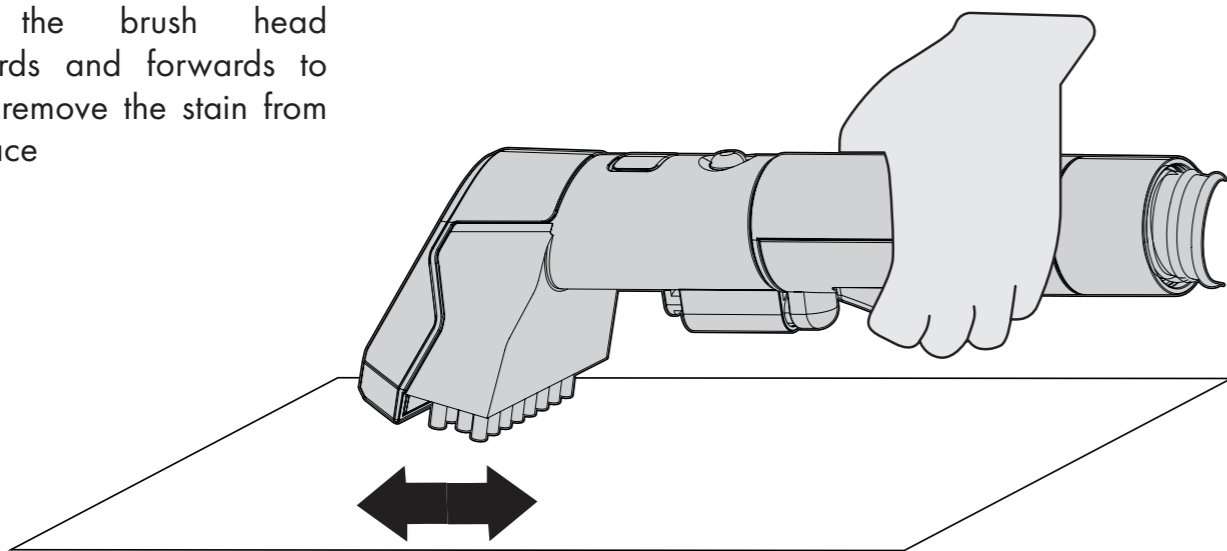
Add spot cleaning detergent on to the spillage and let it sit, following the detergent guidelines.

Press the water release button, on the hose, to spray water on to the surface



4

Move the brush head backwards and forwards to help to remove the stain from the surface

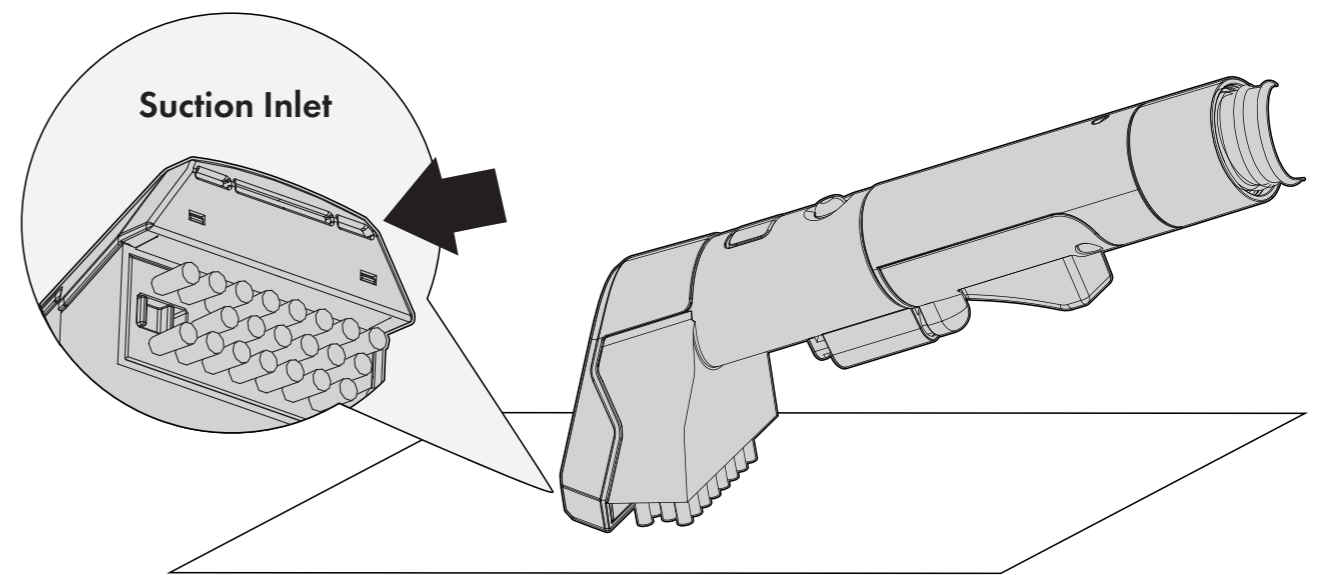


Operation

5

Stop pressing the water release button and tilt the brush head forward so the brushes aren't in contact with the surface.

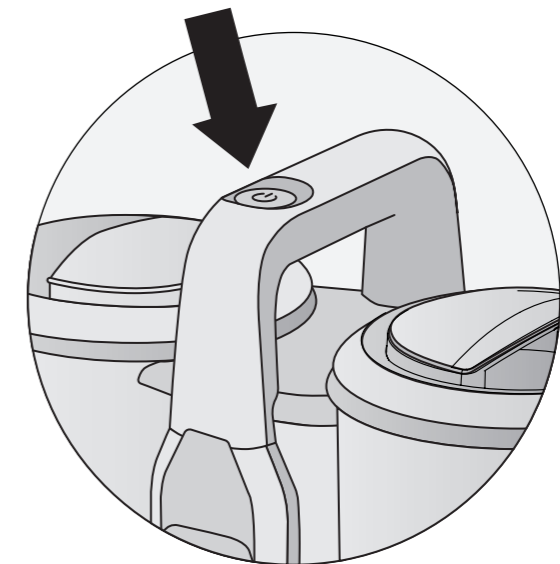
Pull the brush head backwards towards yourself and ensure the suction inlet is collecting the dirty water



Over or under tilting the brush tool may result in poor water suction

6

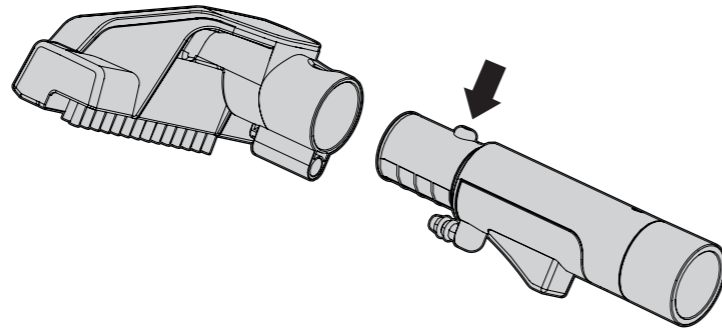
Once you have finished cleaning, turn the product off using the On/Off switch and unplug the power cord



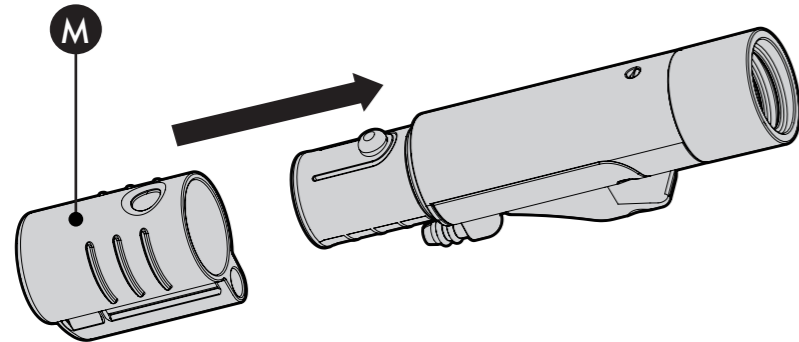
Cleaning & Maintenance

1

To clean the small brush head, affix the self-cleaning brush head attachment (L) on to the brush head and press the water release button. This will help to self-clean the small brush head



2



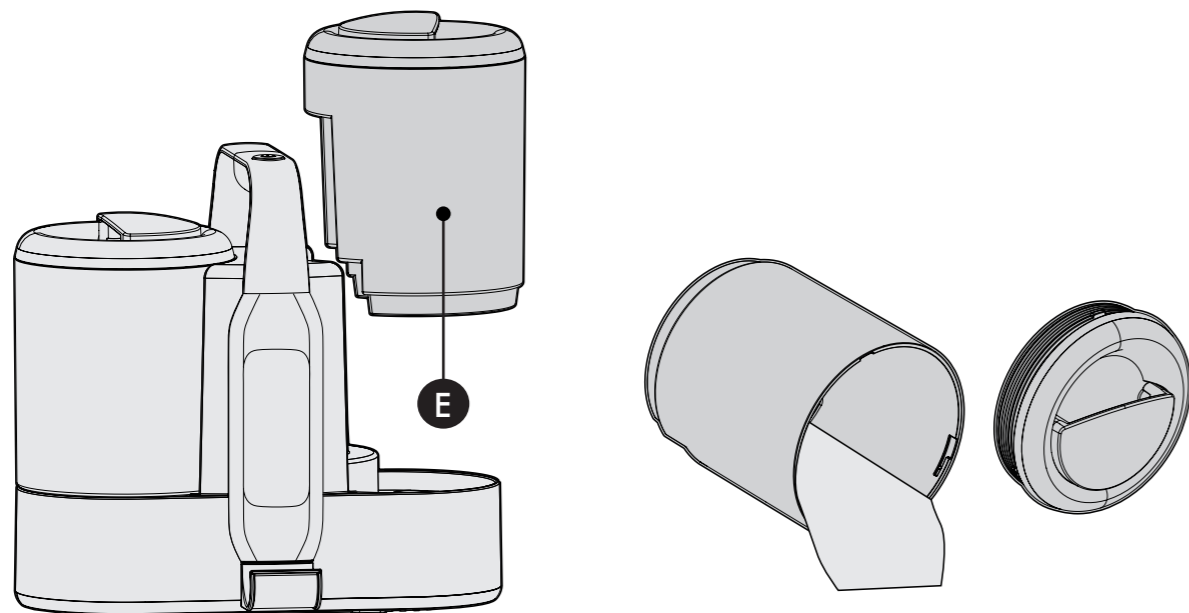
To clean the hose, remove the brush head and affix the self-cleaning nozzle (M) on to the end of the hose.

Press the water release button and this will help to self-clean the hose

3

Empty the water from the clean water tank (E) and place back in to the machine.

Press the water release button to remove any excess water from the tank or hose



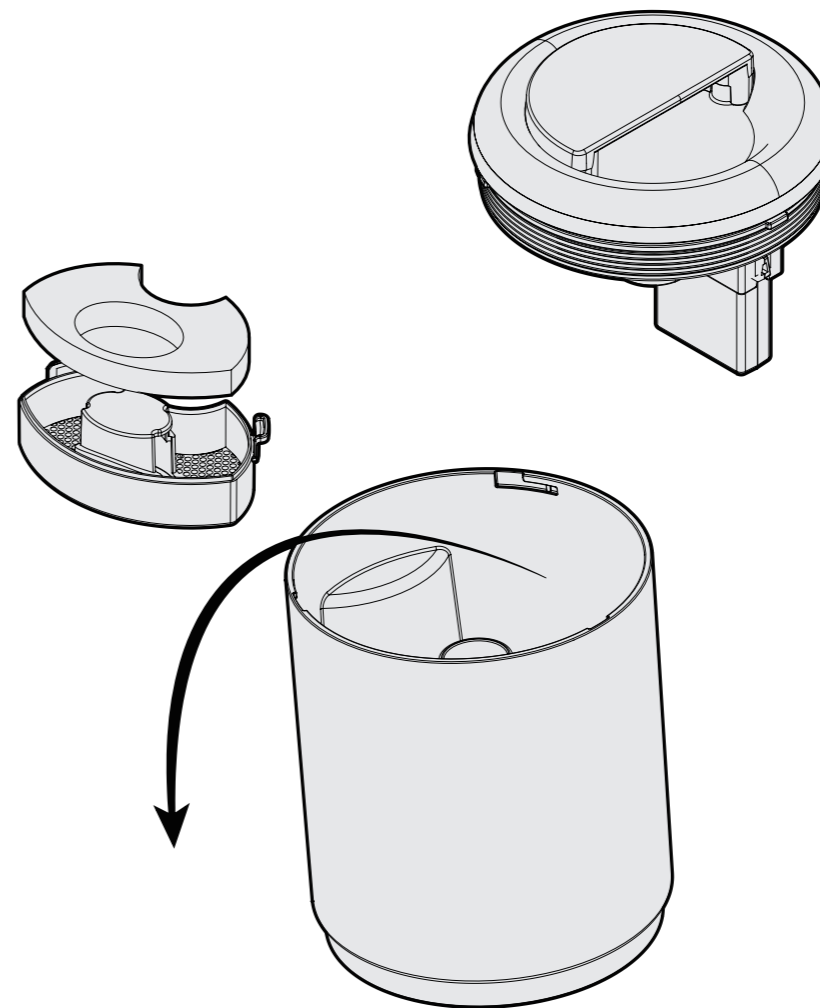
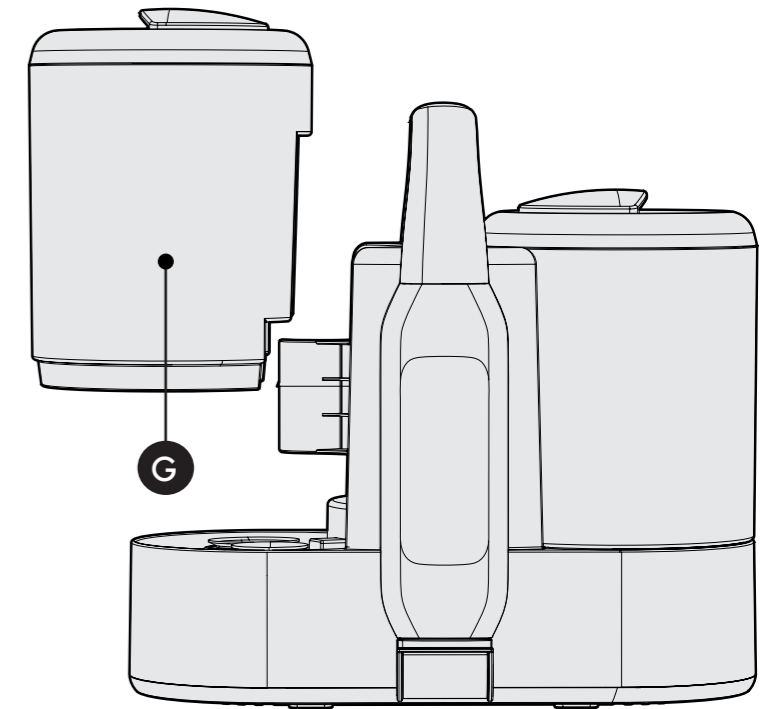
Cleaning & Maintenance

4

Empty the dirty water tank after every use, or when the water reaches the maximum fill line.

The float inside will prevent suction if the dirty water tank is full

Remove the lid and take out the filter



Cleaning & Maintenance

5

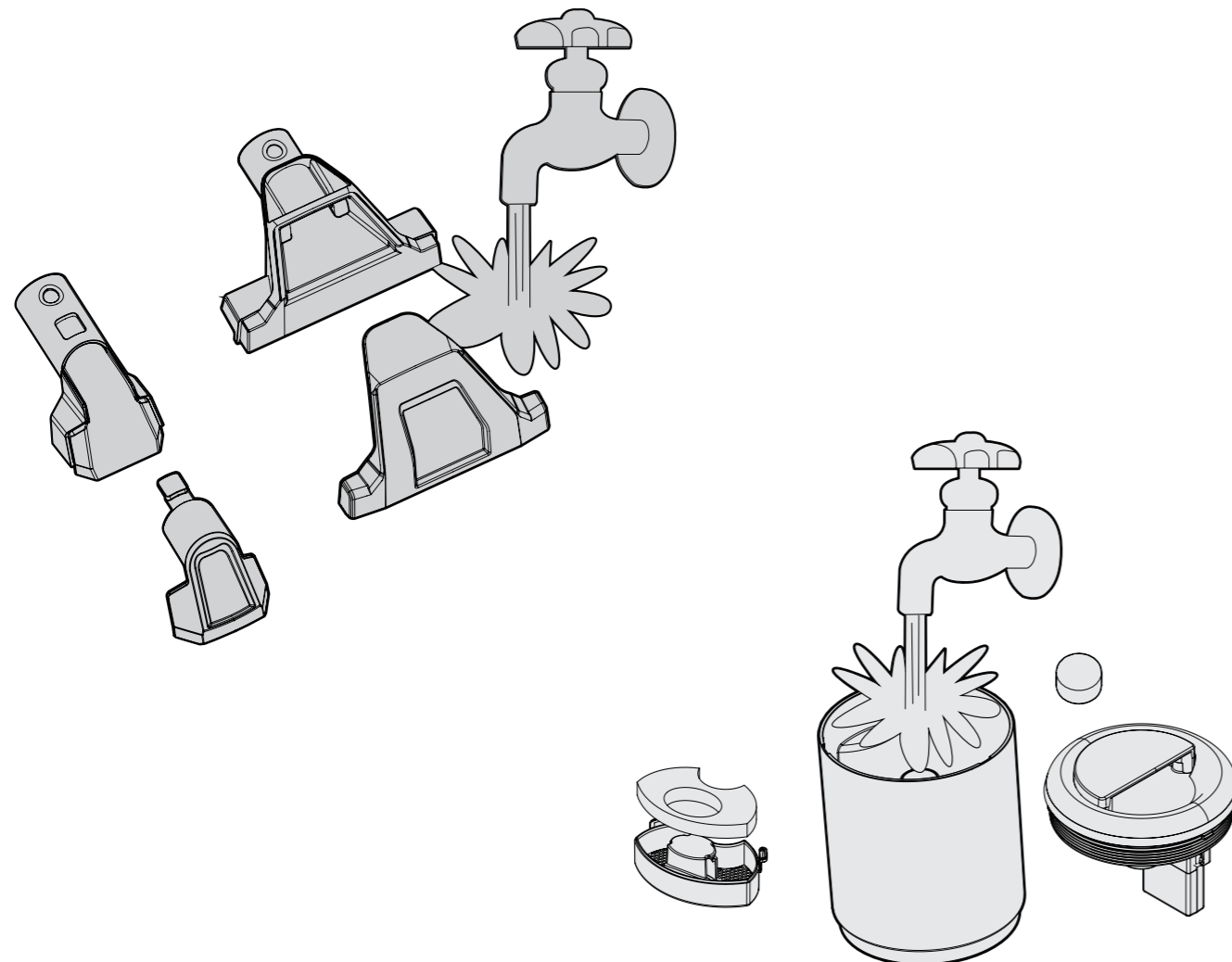
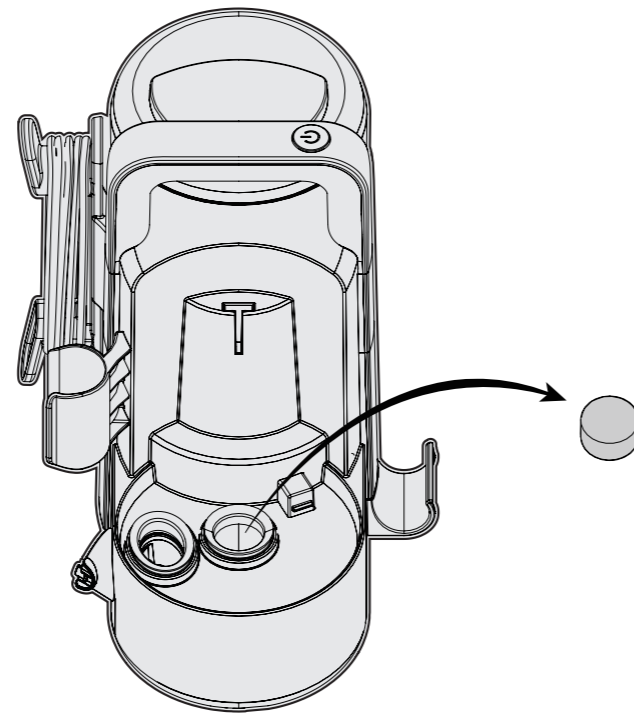
Remove the small foam filter from underneath where the dirty water tank was.

Rinse with warm water under the tap and ensure it is fully dry before replacing it back in to the cleaner

Clean all the parts with warm water.

Do not use washing up liquid or other chemicals

Ensure all parts are clean and completely dry before reinstalling back in to the cleaner



Troubleshooting

Why won't my machine start?

Possible reasons:

- The plug may not be properly connected.
- The power cord may be damaged.

What to do:

- Switch off the machine and check the plug is secure.
- If the power cord is damaged contact the customer services team on support@vonhaus.com

Why is there no water after pressing the water-spray button?

Possible reasons:

- The spray nozzle may be blocked.
- The handle or pump may be damaged.

What to do:

- Remove the brush and clean the spray nozzle.
- if the problem persists, contact support@vonhaus.com

Why is there no suction?

Possible reasons:

- The dirty water tank may be full
- The hose might not be properly connected
- The suction inlet on the brush head is blocked
- The foam filter is blocked

What to do:

- Empty and clean the dirty water tank
- Check the hose is properly connected and use the self-clean nozzle to check for any blockages
- Clean the brush head in warm water and gently scrub to ensure the suction inlet isn't blocked
- Clean or replace the foam filter located under the dirty water tank

Safety Information

Use the recommended guidance for each material type when treating stubborn stains. the back corner of a rug or the underside of a chair cushion) before tackling the main stain to ensure it does not cause discolouration.

See below for the best process and cleaning agents to use with your spot cleaner on different materials. Always test your chosen detergent or cleaning agent on a small, hidden area (such as the fabric care label before you begin to make sure you are using the correct cleaning method

Material Type	Commonly Found In	Where to Apply Solution	How to Remove Stains Using a Wet Vac
Cotton	Clothing, bed linens, towels	Directly on the stain	Pre-treat with mild detergent, then use the spot cleaner to rinse and extract water.
Polyester	Clothing, upholstery, curtains Nylon	Directly on the stain	Apply stain remover, let it sit for a few minutes, then use the spot cleaner to rinse and extract water
Nylon	Carpets, rugs, clothing	Add to tank	Use a carpet cleaner solution, scrub gently, then use the spot cleaner to rinse and extract.
Linen	Tablecloths, napkins, summer clothing	Directly on the stain	Pre-treat with mild detergent, then use the spot cleaner to rinse and extract water.
Wool	Blankets, rugs, winter clothing	Directly on the stain	Use a wool-safe detergent, gently scrub (avoid pilling), then use the spot cleaner to rinse and extract water.
Silk	Luxury bedding, clothing, decorative items	Directly on the stain	Use a silk-safe detergent, gently dab the stain, then use the spot cleaner to rinse and extract water.
Rayon	Doormats, upholstery	Directly on the stain	Pre-treat with mild detergent, then use the spot cleaner to rinse and extract water.
Acrylic	Blankets, upholstery	Directly on the stain	Apply stain remover, let it sit, then use the spot cleaner to rinse and extract water.

Safety Information

Caution:

Only use the machine for its intended cleaning purpose.
This appliance is for household use only.
Keep away from open flames and heat sources.
Stop using the machine if the spray nozzle or suction hole becomes blocked, or if foreign objects are sucked in.
Always empty and clean the tanks and remove blockages before reusing.
Do not tilt, ride, or place excessive weight on the machine.
Keep out of reach of children; do not use where children can touch the unit.
Not for outdoor use.
Discontinue use if the machine makes unusual noises or emits an unusual smell.

Power Cord and Plug Safety

Clean the plug regularly.
Ensure the plug is firmly connected when in use.
Unplug the appliance when not in use for prolonged periods, before maintenance, checking, or moving.
Never plug in or unplug the machine with wet hands.
Keep the plug away from children.
Do not damage the power cord or remove the plug forcefully.
Do not use if the power cord or plug is damaged.
Avoid using overloaded sockets.
If the appliance malfunctions, switch it off and unplug it immediately.

Don't Use the Machine For:

- Dry dust
- Large amounts of powder, sand, stones, or rubbish
- Metal objects such as needles and pins
- Large plastic bags or stockings
- Items likely to clog the machine

Additional Precautions

This is a wet-use machine; do not use it for large amounts of dry dust.
In extremely cold conditions, dry the clean water tank, dirty water tank, and hose after each use to prevent freezing.
Remove foreign objects from the hose before reusing if blocked.
Use only water below 40°C.
Do not use the machine on items or surfaces unsuitable for wet cleaning (e.g., delicate crafts, certain fibres, sensitive surfaces).
Do not tilt the appliance if the tank contains water to prevent spills.
Stop and empty the dirty water tank when it reaches the full line.
Use only recommended detergents and check they are suitable for your items.
Do not use foam detergents.
Do not use with flammable liquids, hot air, oils, or combustible materials.
Do not use if the hose is damaged or excessively bent.
Do not block the air outlet.
Never attempt to disassemble or repair the appliance yourself.
This product can be used to clean cars or other domestic vehicles. Use only during dry weather. Do not allow the product to be exposed to rain, snow or high winds.
Never immerse the appliance in water or other liquids.

Safety Information

Do not use to pick up hazardous or infectious materials.

The dirty water tank must be in place for operation.

If the supply cord is damaged, it must be replaced by the manufacturer, their service agent, or a qualified person.

Important

- Avoid allowing children/ animals in proximity during use
- Check that any cleaning chemicals used in combination with the product is suitable for your home; check if pet friendly/ for allergens and is suitable to use with the machine

Note:

This appliance is not a toy and should not be used by children. Individuals with reduced physical, sensory or mental abilities should use it only with support and supervision.

The unit is suitable for use on 50Hz or 60Hz mains frequency; no adjustment is required.

Disposal Information



This symbol indicates that this product should not be disposed of with regular household waste. To help protect the environment and human health from uncontrolled waste disposal, please recycle this product responsibly.

Information

Customer Service

If you are having difficulty using this product and require support, please contact support@vonhaus.com

Warranty

To register your product and find out if you qualify for a free extended warranty please go to www.vonhaus.com/warranty

Please retain a proof of purchase receipt or statement as proof of the purchase date.

The warranty only applies if the product is used solely in the manner indicated in the warnings page of this manual, and all other instructions have been followed accurately.

Any abuse of the product or the manner in which it is used will invalidate the warranty.

Returns

Returned goods will not be accepted unless re-packaged in its original packaging and accompanied by a relevant and completed returns form. This does not affect your statutory rights.

No rights are given under this warranty to a person acquiring the appliance second-hand or for commercial or communal use.

Copyright

All material in this instruction manual are copyrighted by DOMU Brands.

Any unauthorised use may violate worldwide copyright, trademark, and other laws.

Thank You

Thank you for purchasing your product/appliance.

Should you require assistance with your purchase, please contact us at support@vonhaus.com

VonHaus is a registered trademark of DOMU Brands Ltd.

Made in China for DOMU Brands Ltd.
Unit 30, Stakehill Industrial Estate
Middleton, Manchester, M24 2RW

EU Authorised Representative

Authorised Representative Service
77 Camden Street Lower
Dublin, D02 XE80
Ireland

Let's get started!

Visit our product hub for useful tips and tricks on getting the most out of your new product.

SCAN ME

