

# STEAM MOP

## Product Instructions

Product No. 2000292

**vonhaus**

### Let's get started!

Visit our product hub for useful tips and tricks on getting the most out of your new product.

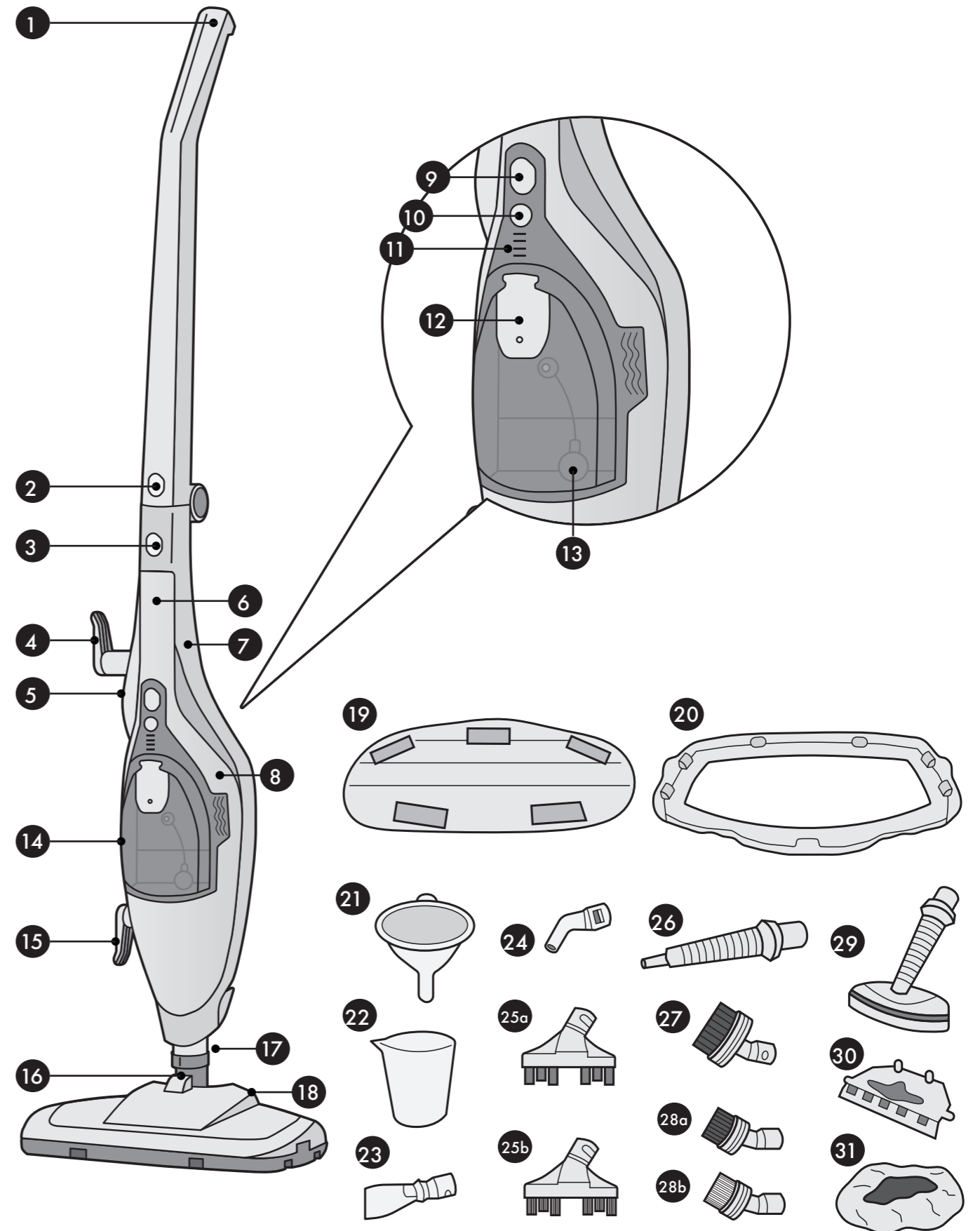
### SCAN ME



Need further help?  
support@vonhaus.com

See our full range at  
www.vonhaus.com

## Parts & Components

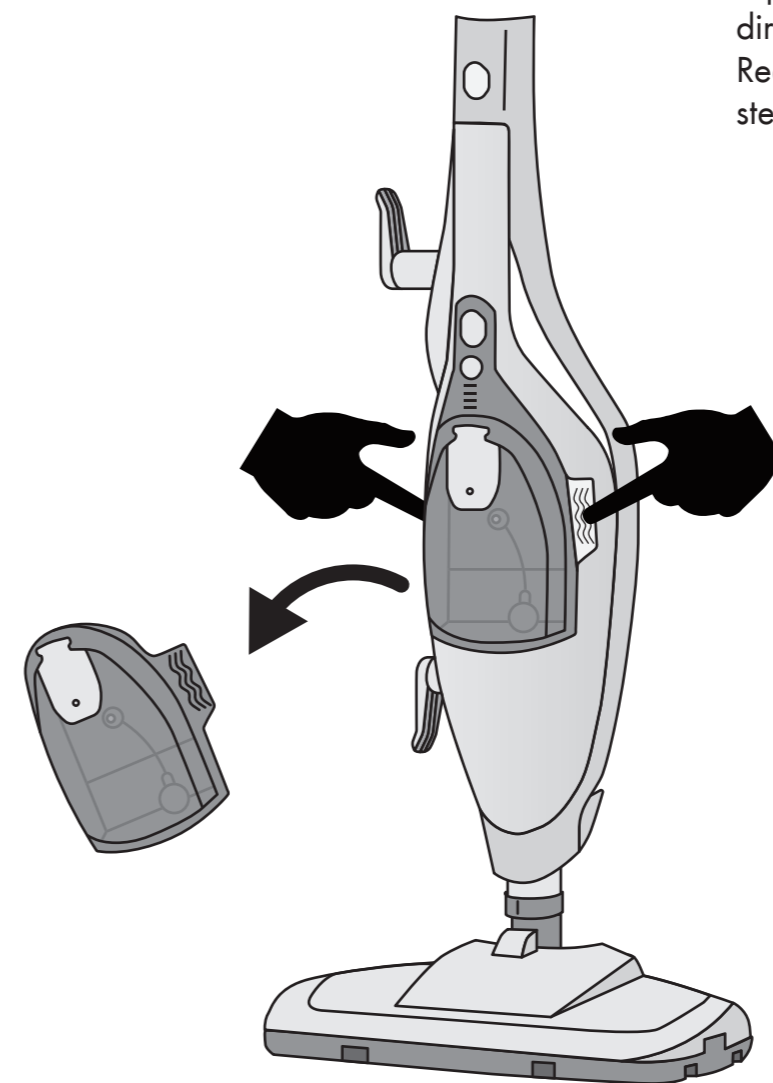


## Parts & Components

- |   |  |
|---|--|
| 1. Upright handle   | 18. Floorhead  |
| 2. Upright handle release button                                | 19. Micro-fibre floor cloth (with hook and loop fastener pads) |
| 3. Handheld release button                                      | 20. Carpet glider  |
| 4. Upper cord storage hook (rotatable)                          | 21. Funnel   |
| 5. Power cord   | 22. Filling jug  |
| 6. Handheld handle  | 23. Spatula attachment   |
| 7. Main body  | 24. Angled nozzle attachment                                   |
| 8. Handheld steam cleaner                                       | 25a. Crevice nylon brush attachment                            |
| 9. On/Off power switch  | 25b. Crevice metal brush attachment                            |
| 10. Steam adjust button   | 26. Accessory adaptor  |
| 11. Indicator light   | 27. Big nylon brush attachment                                 |
| 12. Filler cap  | 28a. Small nylon brush attachment                              |
| 13. Water tube with brass ball weight attached                  | 28b. Small metal brush attachment                              |
| 14. Detachable water tank                                       | 29. Utility nozzle   |
| 15. Lower cord storage hook (rotatable)                         | 30. Squeegee attachment (attaches to utility nozzle)           |
| 16. Floorhead rest catch  | 31. Elasticated utility cloth (attaches to utility nozzle)     |
| 17. Floorhead release button (on reverse side of the main body) |  |

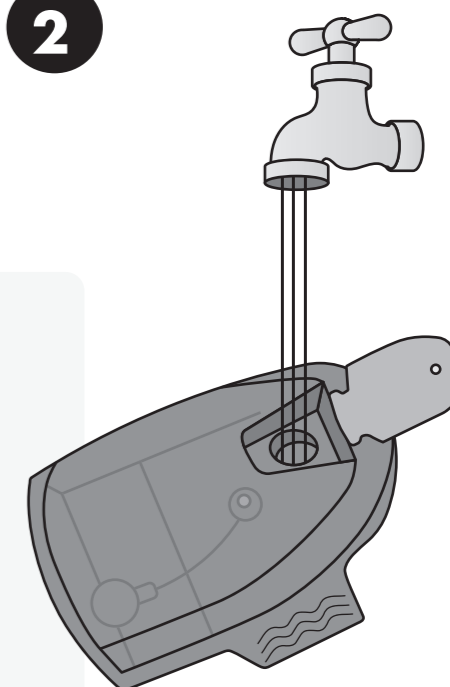
## Assembly

1



1. Remove the water tank from the handheld steam cleaner by pressing the water tank release button.
2. Open the filler cap and fill the water tank directly from the tap. Close the filler cap. Reattach the water tank to the main body of the steam cleaner.

2



**CAUTION:** To prolong the life of your steam mop, we recommend using deionised, demineralised, or distilled water. This prevents limescale build-up in the water tank. Using other types of water can cause limescale and void the product guarantee.

If tap water is used and you live in a hard water area, we recommend descaling the water tank occasionally with descaling products for prolonged usage. (Descaling products must be mixed with water.)

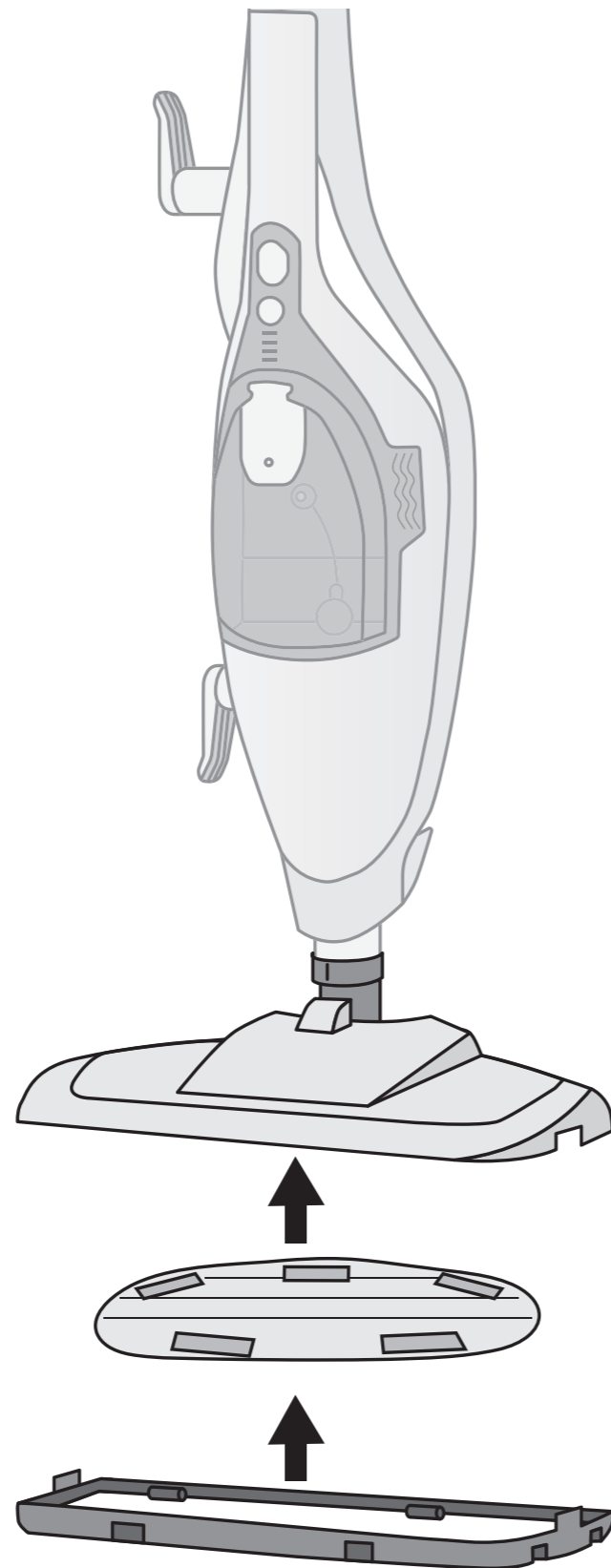
## Assembly

3

Attach the microfiber floor cloth to the floorhead, securing it with the hook-and-loop fastener pads.

If cleaning carpet, rest the floorhead with the micro-fibre floor cloth attached into the carpet glider to make it easier to move the floorhead across the carpet.

**NOTE:** The carpet glider has clips around the edge to attach it securely to the floorhead.



## Assembly

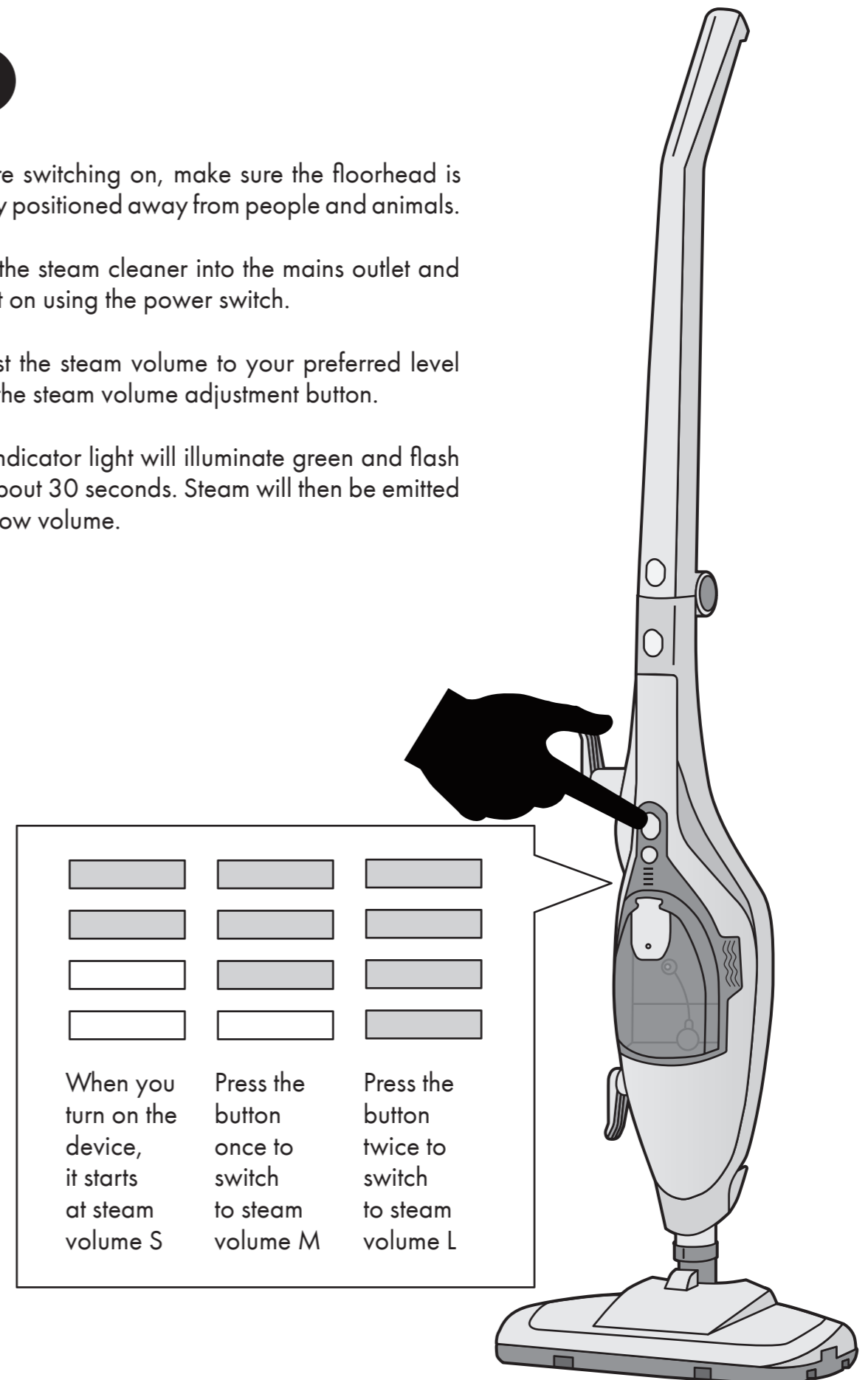
4

Before switching on, make sure the floorhead is safely positioned away from people and animals.

Plug the steam cleaner into the mains outlet and turn it on using the power switch.

Adjust the steam volume to your preferred level with the steam volume adjustment button.

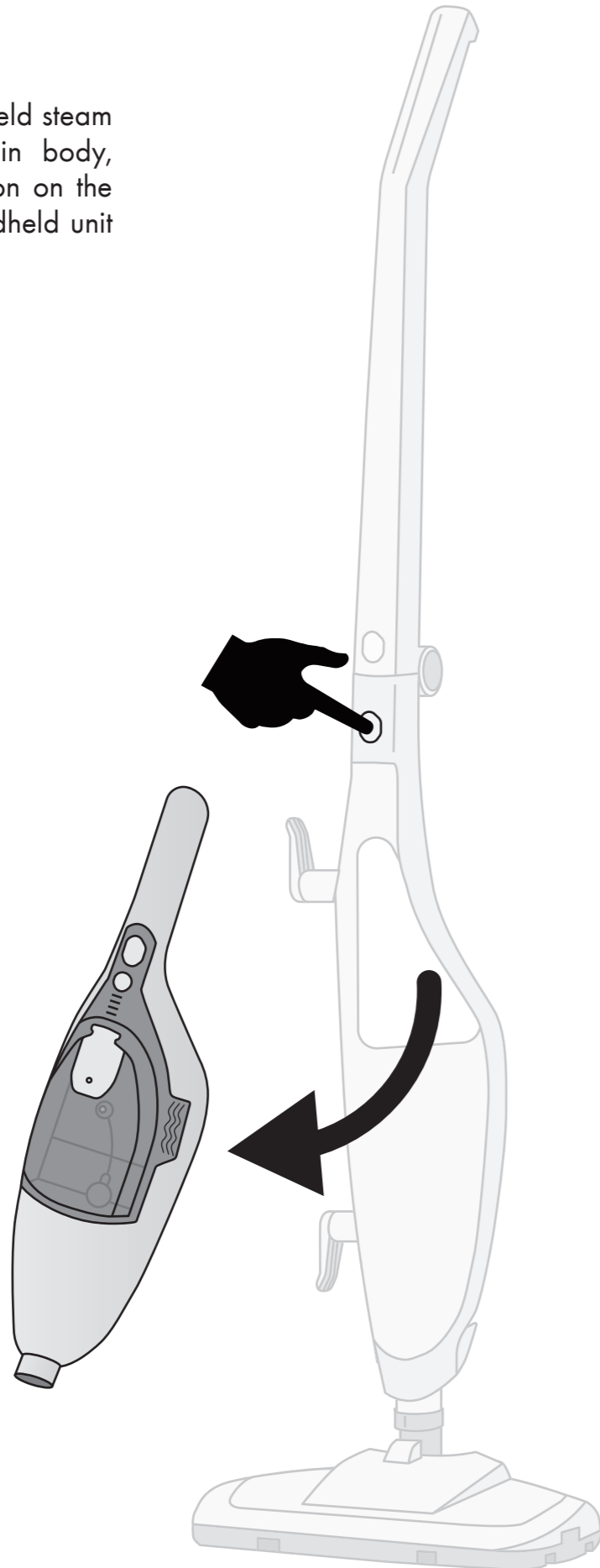
The indicator light will illuminate green and flash for about 30 seconds. Steam will then be emitted at a low volume.



# Handheld Cleaner Assembly

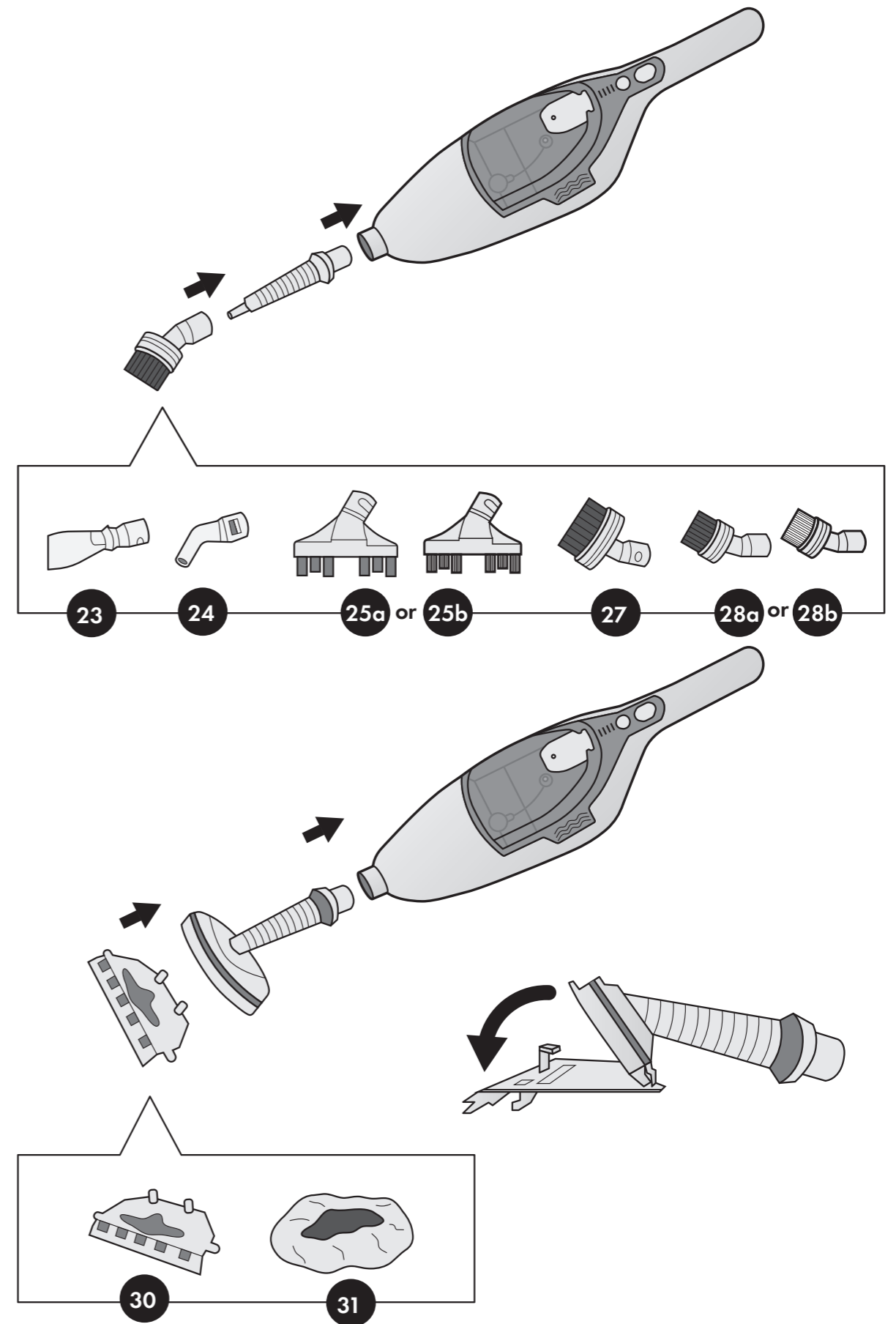
1

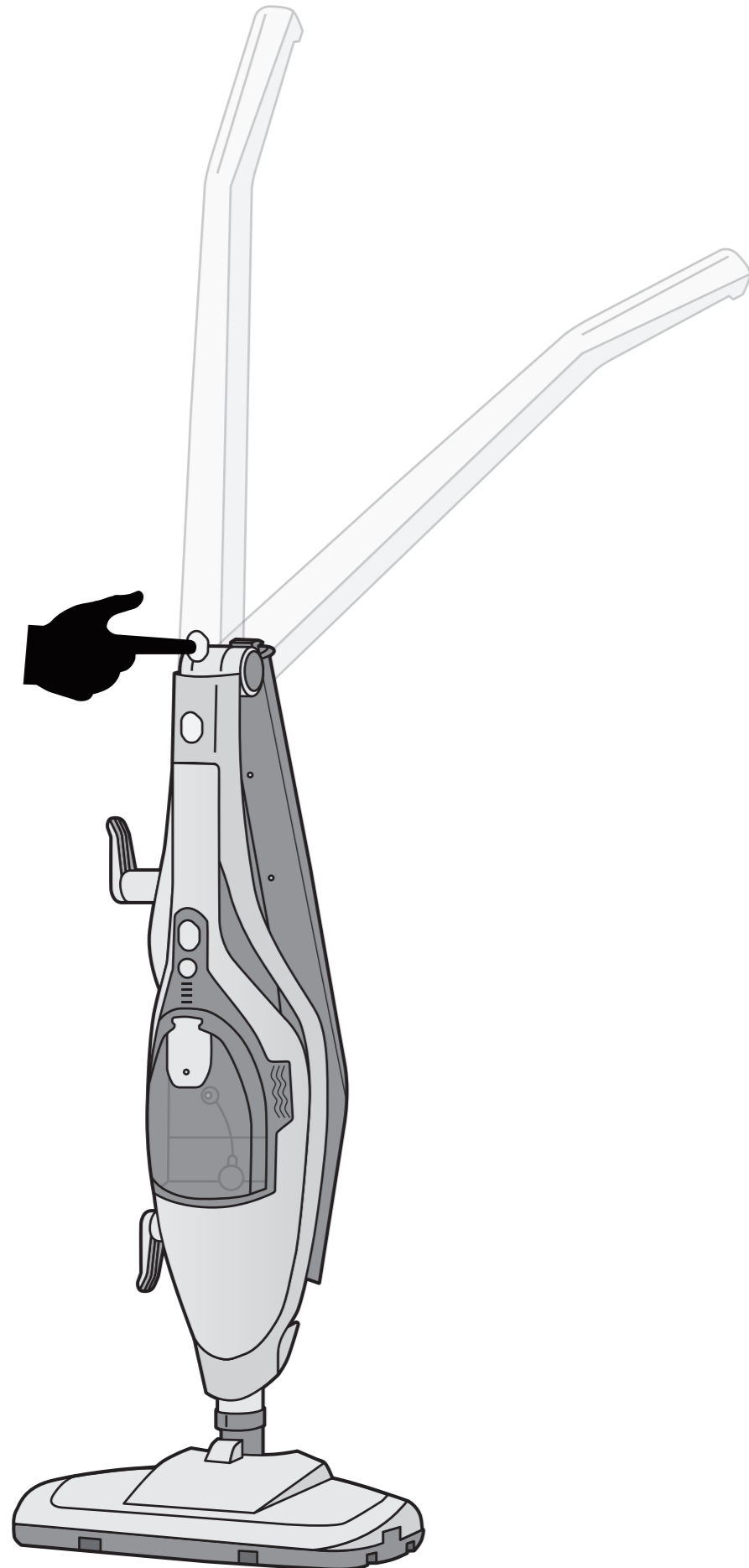
To separate the handheld steam cleaner from the main body, press the release button on the front and pull the handheld unit upward.



# Handheld Cleaner Assembly

2





### IMPORTANT SAFETY NOTICE

This product is not suitable for use by children or by individuals with physical, sensory, or mental impairments that may limit their ability to operate the equipment safely, unless they have been given supervision or instruction concerning the safe use of the product by a person responsible for their safety.

Improper use may result in serious injury. Always ensure the operator is capable of understanding and following all safety instructions provided in this manual.

- **Risk of Scalding:** Steam is extremely hot and can cause burns. Avoid direct contact with steam and hot surfaces.
- **Indoor Use Only:** Never use a steam mop outdoors or in wet conditions like rain or high humidity.
- **DO NOT Touch Hot Parts:** Let all parts cool before handling. The mop head and accessories can remain hot after use.
- **DO NOT Use with Wet Hands:** This poses an electrical hazard. Always handle the plug and controls with dry hands.
- **Supervise Children:** Keep children and pets away during use. These devices are not toys and should not be operated by unsupervised minors.

### Intended Use

**IMPORTANT:** Before use, hard floors should be thoroughly swept, and carpets should be thoroughly vacuumed until dry. Avoid using the steam cleaner on:

- Bare wooden floors or any surfaces with exposed wood, as they may absorb moisture and warp.
- Damaged hard floors or floors with gaps, which can also absorb moisture and become distorted.

Do not hold the steam cleaner in one spot for an extended time, as continuous heat may damage carpets and laminate floors. Always disconnect and allow the unit to cool before changing cloths or attachments.

**IMPORTANT:** The steam cleaner emits steam at 115°C (239°F). Always test on an inconspicuous area first. Do not use on surfaces or objects that cannot withstand this temperature, including those with coatings, polishes, or delicate materials such as dralon, plastic, natural fur, or antiques. When in doubt, test on a small area where minor marks are acceptable.

**IMPORTANT:** Do not use disinfectants, detergents, cleaning solutions, scented oils or water, bleach, or vinegar in this steam cleaner. These can damage the product and void your guarantee. Use only deionised or distilled water, or water softener, to fill the steam cleaner.

### Dual Use

Your steam cleaner can be easily configured into two cleaning modes:

- Upright steam cleaner for floors and carpets.
- Handheld steam cleaner for cleaning vertical or hard-to-reach surfaces.

## Information

### Water Tank and Brass Ball Weight

The brass ball weight inside the water tank is attached to the end of the suction hose. This weighted ball is designed to move freely within the handheld steam cleaner's water tank.

If the ball becomes stuck above the water level, gently shake the appliance until it is freed. The ball must stay submerged so steam is generated whenever the steam button is pressed, no matter the cleaner's orientation.

### Rinsing the Water Tank

Regularly rinse the water tank to remove any deposits that may collect on the bottom. Use only deionised, demineralised, or distilled water (readily available at most large supermarkets), close the filler cap, and shake vigorously to rinse.

### Maintenance Steps

#### After Every Use

- Switch off the cleaner and unplug it from the socket. Place it immediately on a suitable surface, such as a tiled floor, where residual heat or moisture from the floor nozzle or cloth will not damage the surface. Wait until the appliance has cooled completely.
- Empty the water tank (11) by lifting the filler cap (14) and pouring out the water. Let the inside of the tank dry before replacing the filler cap.

**WARNING:** Always unplug the steam cleaner from the mains supply before performing any maintenance.

Your cleaner is built for normal daily use, but occasional wiping with a damp cloth will help keep it in good condition. Do not use abrasive cleaners.

#### Cleaning the Cloths

The microfibre floor cloth and elasticated utility cloth are machine washable at a maximum of 40°C. For heavy soiling, soak cloths in warm water with detergent or mild stain remover.

**IMPORTANT:** Do not use bleach or fabric softener. Allow cloths to dry completely before storing.

#### Maintaining Attachments

Regularly remove dirt and blockages from attachments to prolong their life.

### Technical Specification

If operated without water, the pump supplying water to the boiler will stop after a few minutes, and the power indicator light will change from green to red. If this occurs, switch off, refill the tank, then switch the unit back on. After about 40 seconds of heating, the pump will resume, and steam will be emitted.

The power indicator light will also turn red and the pump will stop if there is a blockage in the steam nozzle. Switch off and allow the unit to cool before checking the nozzle for blockages.

**NOTE:** Using tap water may cause limescale buildup inside the boiler, potentially blocking the system.

## Usage & Safety



Please read all instructions carefully before use and retain for future reference.



**WARNING:** Danger of scalding! Escaping steam!



Do not immerse in water.



Do not use outdoors.

# Information

---

## Customer Service

If you are having difficulty using this product and require support, please contact [support@vonhaus.com](mailto:support@vonhaus.com)

## Warranty

To register your product and find out if you qualify for a free extended warranty please go to [www.vonhaus.com/warranty](http://www.vonhaus.com/warranty)

Please retain a proof of purchase receipt or statement as proof of the purchase date.

The warranty only applies if the product is used solely in the manner indicated in the warnings page of this manual, and all other instructions have been followed accurately.

Any abuse of the product or the manner in which it is used will invalidate the warranty.

## Returns

Returned goods will not be accepted unless re-packaged in its original packaging and accompanied by a relevant and completed returns form. This does not affect your statutory rights.

No rights are given under this warranty to a person acquiring the appliance second-hand or for commercial or communal use.

## Copyright

All material in this instruction manual are copyrighted by DOMU Brands.

Any unauthorised use may violate worldwide copyright, trademark, and other laws.

## Thank You

Thank you for purchasing your product/appliance.

Should you require assistance with your purchase, please contact us at [support@vonhaus.com](mailto:support@vonhaus.com)

VonHaus is a registered trademark of DOMU Brands Ltd.

Made in China for DOMU Brands Ltd.  
Unit 30, Stakehill Industrial Estate  
Middleton, Manchester, M24 2RW

## EU Authorised Representative

Authorised Representative Service  
77 Camden Street Lower  
Dublin, D02 XE80  
Ireland

## Let's get started!

Visit our product hub for useful tips and tricks on getting the most out of your new product.

**SCAN ME**

