



# ABEL 6 SEATER DINING TABLE

## Product Instructions

Product No. 3000449.2 & 4000665

**vonhaus**

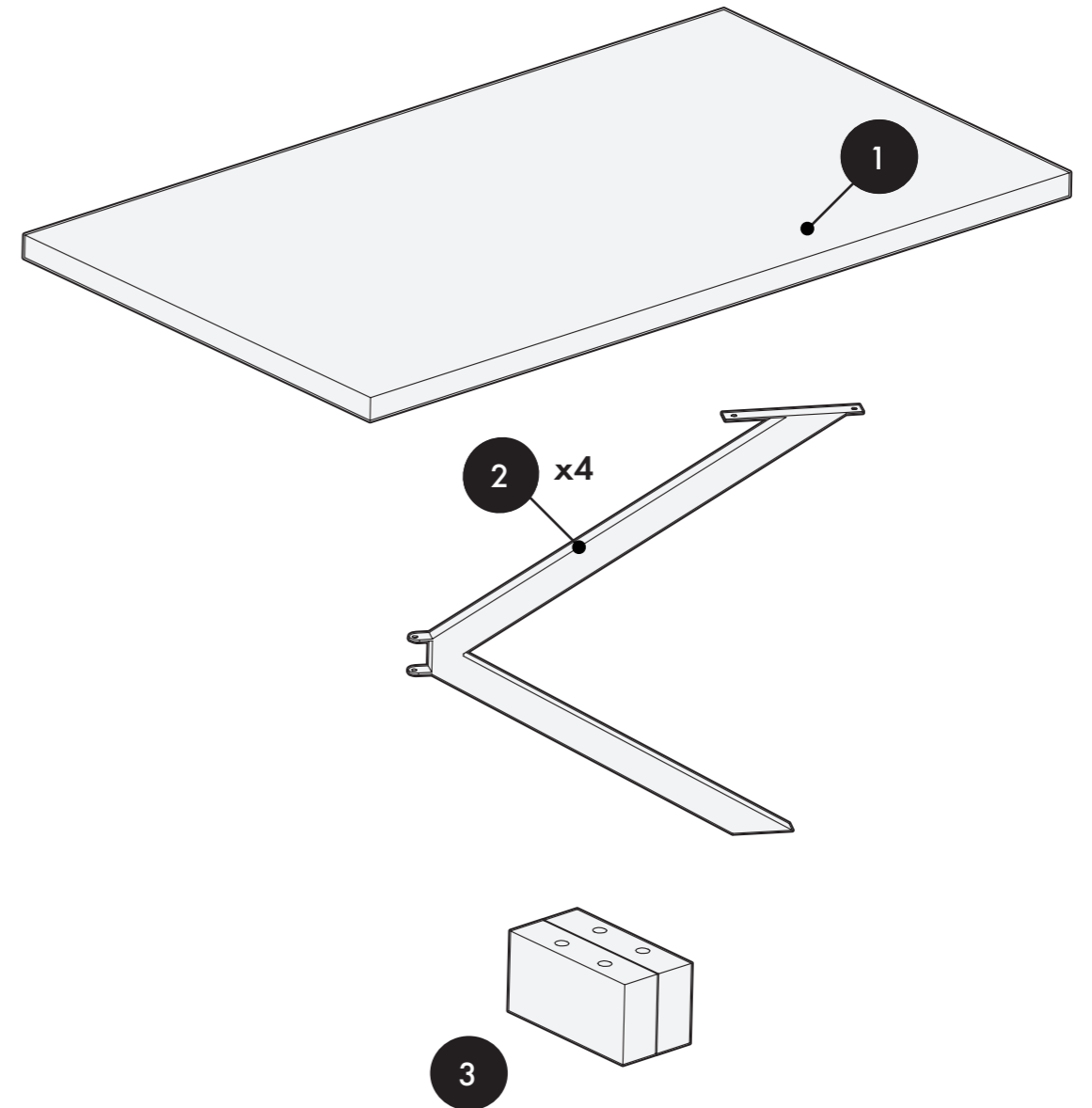
### Let's get started!

Visit our product hub for useful tips and tricks on getting the most out of your new product.

### SCAN ME



## Product Diagram



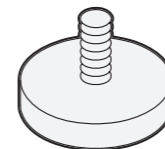
24 KG



45 Mins

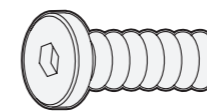
Need further help?  
support@vonhaus.com

See our full range at  
www.vonhaus.com



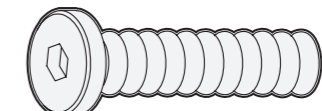
A

x4



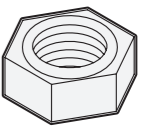
B

x8



C

x4



D

x4



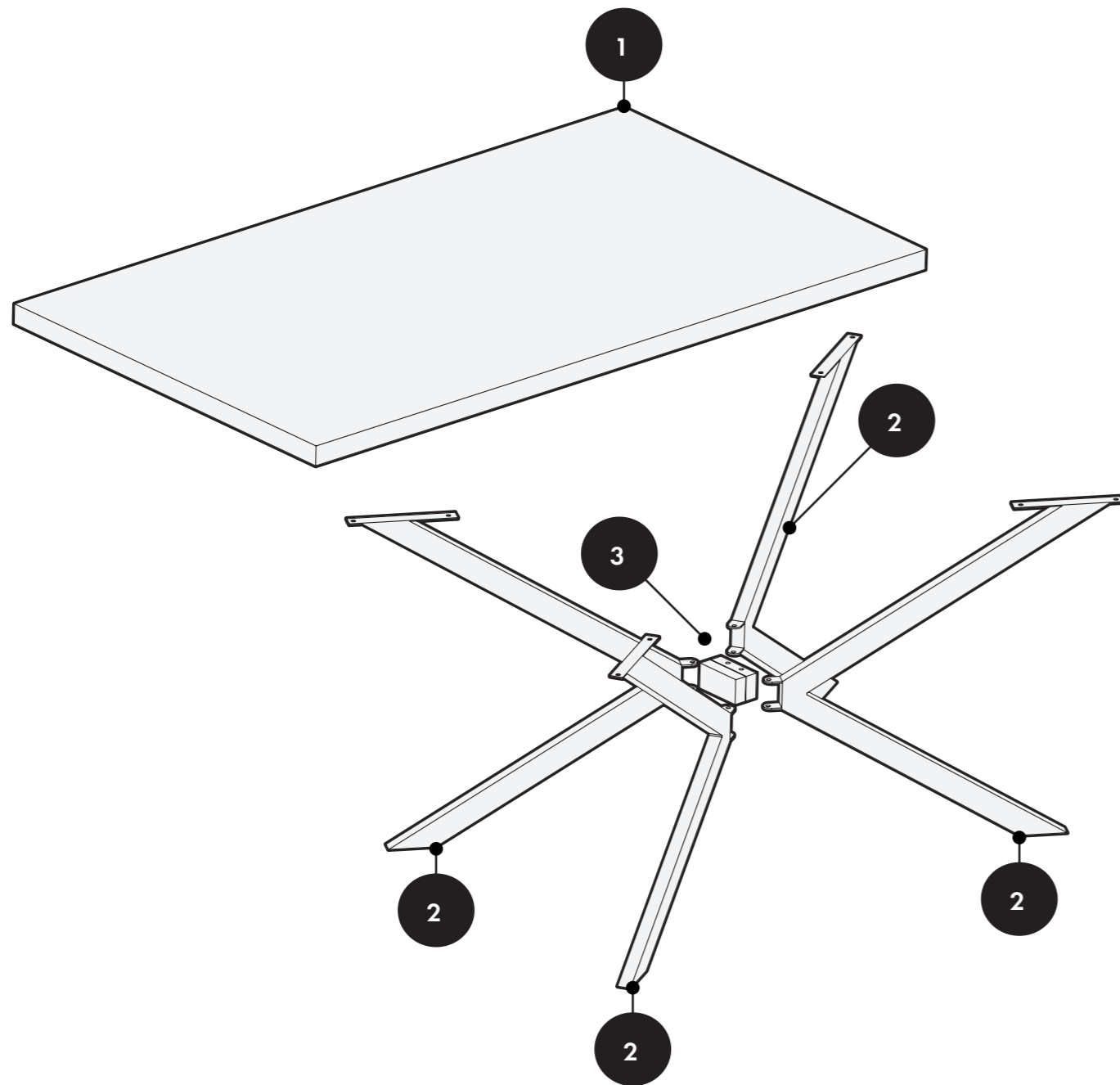
E



F

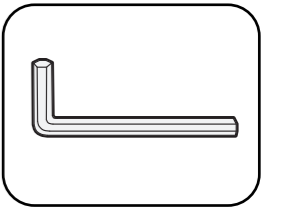
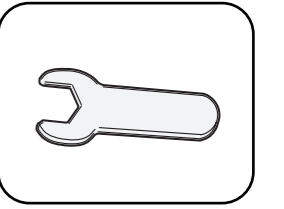
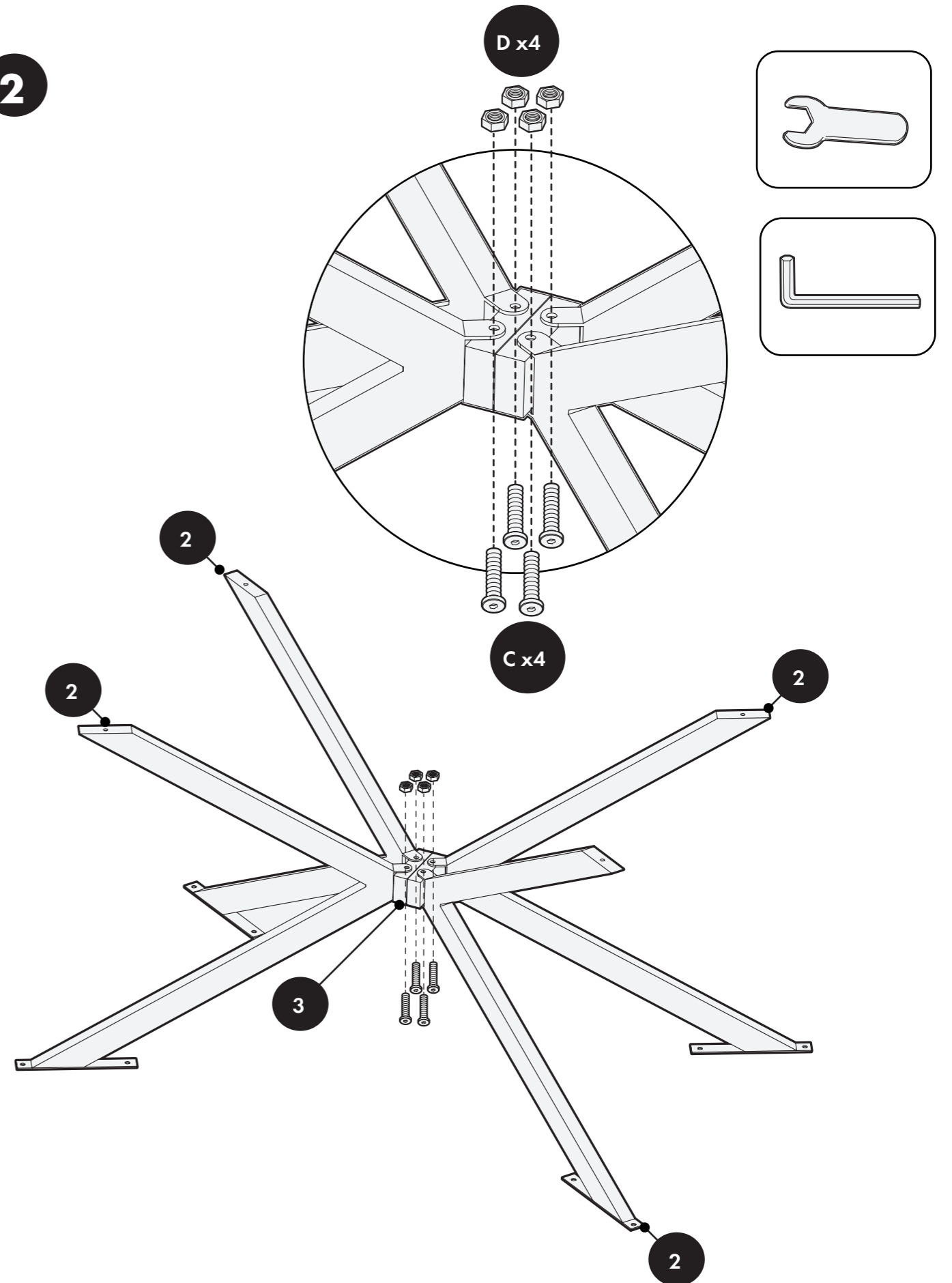
# Assembly

1



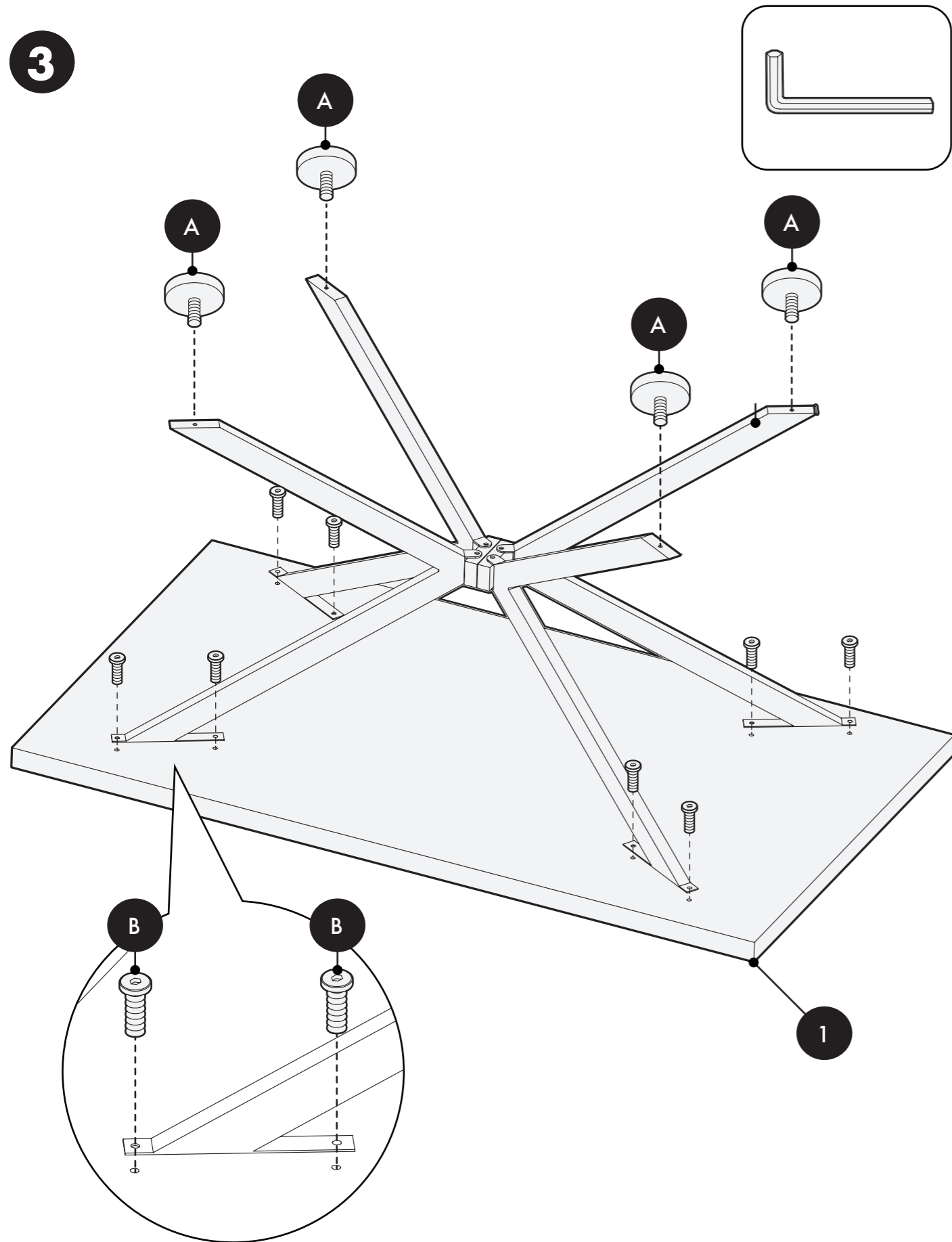
# Assembly

2



# Assembly

3



# Assembly

4



# Information

---

## Important Safety Notice

This product is **not suitable for use by children** or by individuals with **physical, sensory, or mental impairments** that may limit their ability to operate the equipment safely, **unless** they have been given supervision or instruction concerning the safe use of the product by a person responsible for their safety.

Improper use may result in serious injury. Always ensure the operator is capable of understanding and following all safety instructions provided in this manual.

## Intended Use

This product is not intended for outdoor use. It is not designed as a climbing structure and is not a toy. Children should be supervised to ensure they do not play with the product.

Follow each step of the assembly process as outlined in this instruction manual. Assemble the product close to its intended location.

Place the product in a suitable area where it will not cause an obstruction. Position it away from sources of combustion.

## General Safety

The assembly pack may contain small parts that could pose a choking hazard to children and pets.

Place the product on solid, level ground. Use only in an upright and stable position.

Do not overload the product, as this may cause damage or result in personal injury.

## Cleaning & Maintenance

Do not clean the product with abrasive cloths or chemicals. Solvents or strong detergents may damage the surface.

Periodically check and re-tighten fittings where needed, and make sure to re-tighten all fittings during the first week after assembly.

To clean, wipe down with warm water, a soft cloth and a mild detergent. Ensure you have all the required pieces listed.

If any components are missing, contact customer services at [support@vonhaus.com](mailto:support@vonhaus.com)

# Information

---

## Customer Service

If you are having difficulty using this product and require support, please contact [support@vonhaus.com](mailto:support@vonhaus.com)

## Warranty

To register your product and find out if you qualify for a free extended warranty please go to [www.vonhaus.com/warranty](http://www.vonhaus.com/warranty)

Please retain a proof of purchase receipt or statement as proof of the purchase date.

The warranty only applies if the product is used solely in the manner indicated in the warnings page of this manual, and all other instructions have been followed accurately.

Any abuse of the product or the manner in which it is used will invalidate the warranty.

## Returns

Returned goods will not be accepted unless re-packaged in its original packaging and accompanied by a relevant and completed returns form. This does not affect your statutory rights.

No rights are given under this warranty to a person acquiring the appliance second-hand or for commercial or communal use.

## Copyright

All material in this instruction manual are copyrighted by DOMU Brands.

Any unauthorised use may violate worldwide copyright, trademark, and other laws.

## Thank You

Thank you for purchasing your product/appliance.

Should you require assistance with your purchase, please contact us at [support@vonhaus.com](mailto:support@vonhaus.com)

VonHaus is a registered trademark of DOMU Brands Ltd.

Made in China for DOMU Brands Ltd.  
Unit 30, Stakehill Industrial Estate  
Middleton, Manchester, M24 2RW

## EU Authorised Representative

Authorised Representative Service  
77 Camden Street Lower  
Dublin, D02 XE80  
Ireland

## Let's get started!

Visit our product hub for useful tips and tricks on getting the most out of your new product.

**SCAN ME**

