

140CM X 60CM ELECTRIC DESK

Product Instructions

Product No. 3005126 / 3005127
3005128 / 3005130

vonhaus

Let's get started!

Visit our product hub for useful tips and tricks on getting the most out of your new product.

SCAN ME



The product has been designed to meet Commission Regulation with regard to ecodesign requirements for electric power consumption of low power consumption mode condition of electrical and electronic household equipment.
Mode: Low power consumption mode Power consumption (Watts): $\leq 0.5W$
 Automatically enter low power consumption mode period: 1 min



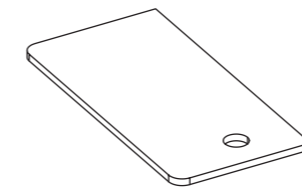
**70kg
Capacity**



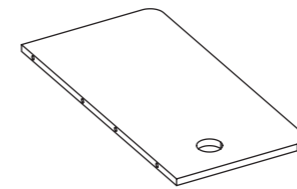
60 Mins

Need further help?
support@vonhaus.com

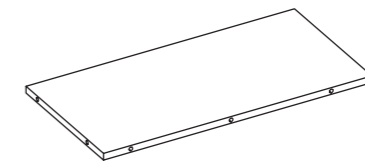
See our full range at
www.vonhaus.com



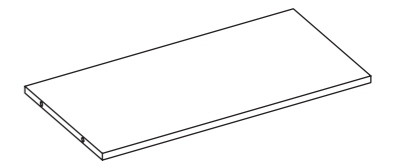
A (x1)
Desktop



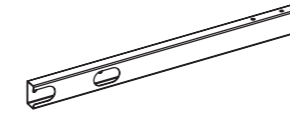
B (x1)
Desktop



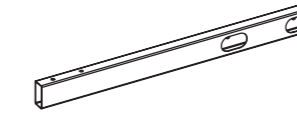
C (x1)
Desktop



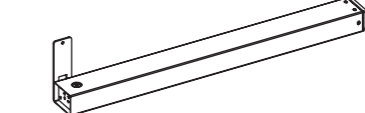
D (x1)
Desktop



E (x1)
Crossbar



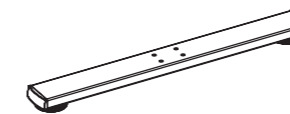
F (x1)
Crossbar



G (x1)
Lifting Column



H (x1)
Lifting Column



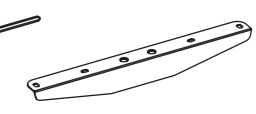
I (x2)
Foot



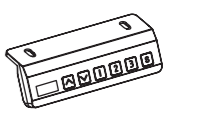
J (x1)
Sync Rod



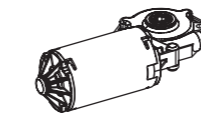
K (x1)
Sync Rod



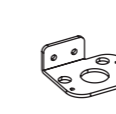
L (x2)
Side Bracket



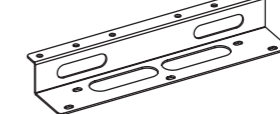
M (x1)
Controller



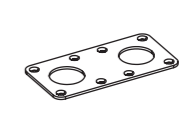
N (x1)
Moter



O (x1)
Moter
Bracket



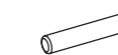
P (x1)
Connecting
Plate



Q (x4)
Connecting
Plate



R (x2)
Connecting
Plate



S (x11)
Wooden
Dowel Pin



T (x13)
Anti-Vibration
Pad



U (x3)
Cable Tie



V (x2)
Hook



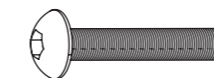
W (x2)
Decorative
Cover



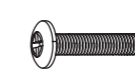
X (x1)
AC
Adapter



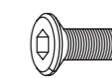
S-A (x10)
M6x10
Screw



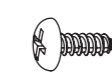
S-B (x8)
M6x35
Screw



S-C (x2)
M4x20
Screw



S-D (x4)
M6x16
Screw



S-E (x19)
ST4.2x15
Screw

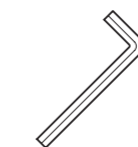


S-F (x40)
ST4.2x13
Screw



S-G (x1)
5mm Allen
Wrench

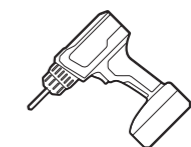
**Tools Required
for Assembly:**



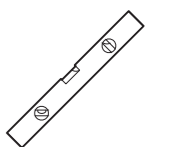
**Allen Wrench
(included)**



Screwdriver



Drill

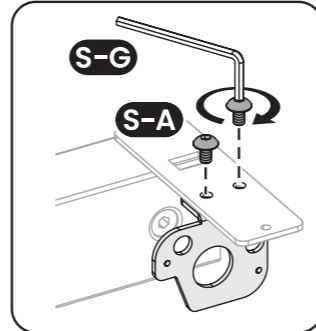
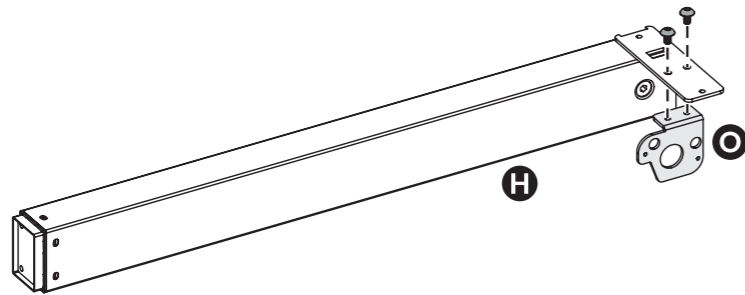


**Bubble
Level**

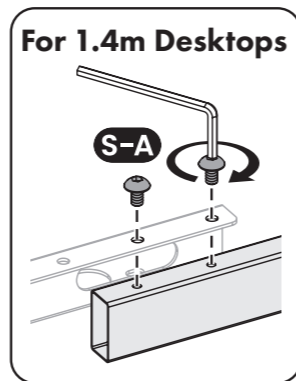
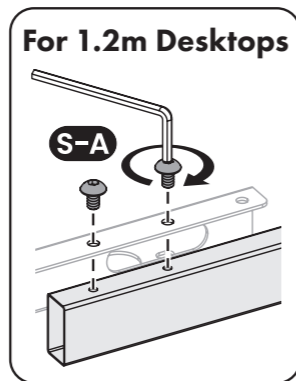
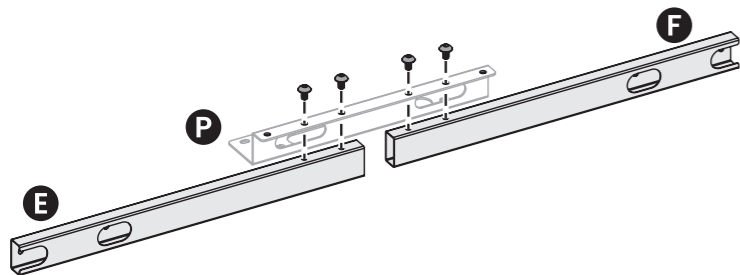
Assembly

1 Attaching the Crossbar

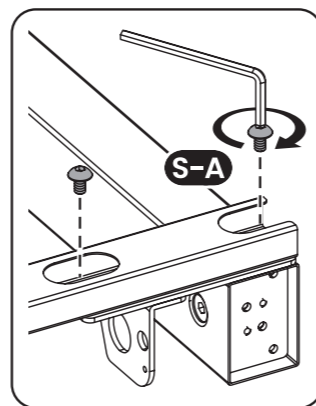
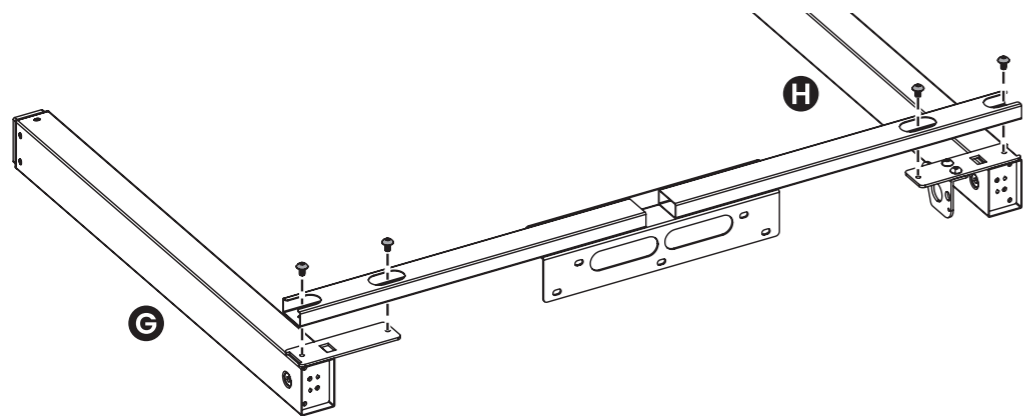
- Attach the Motor Bracket (O) to the Lifting Column (H) by tightening the Screws (S-A) using the Allen Wrench (S-G).



- Secure the Crossbars (E) and (F) together with the Connecting Plate (P) by tightening the Screws (S-A).



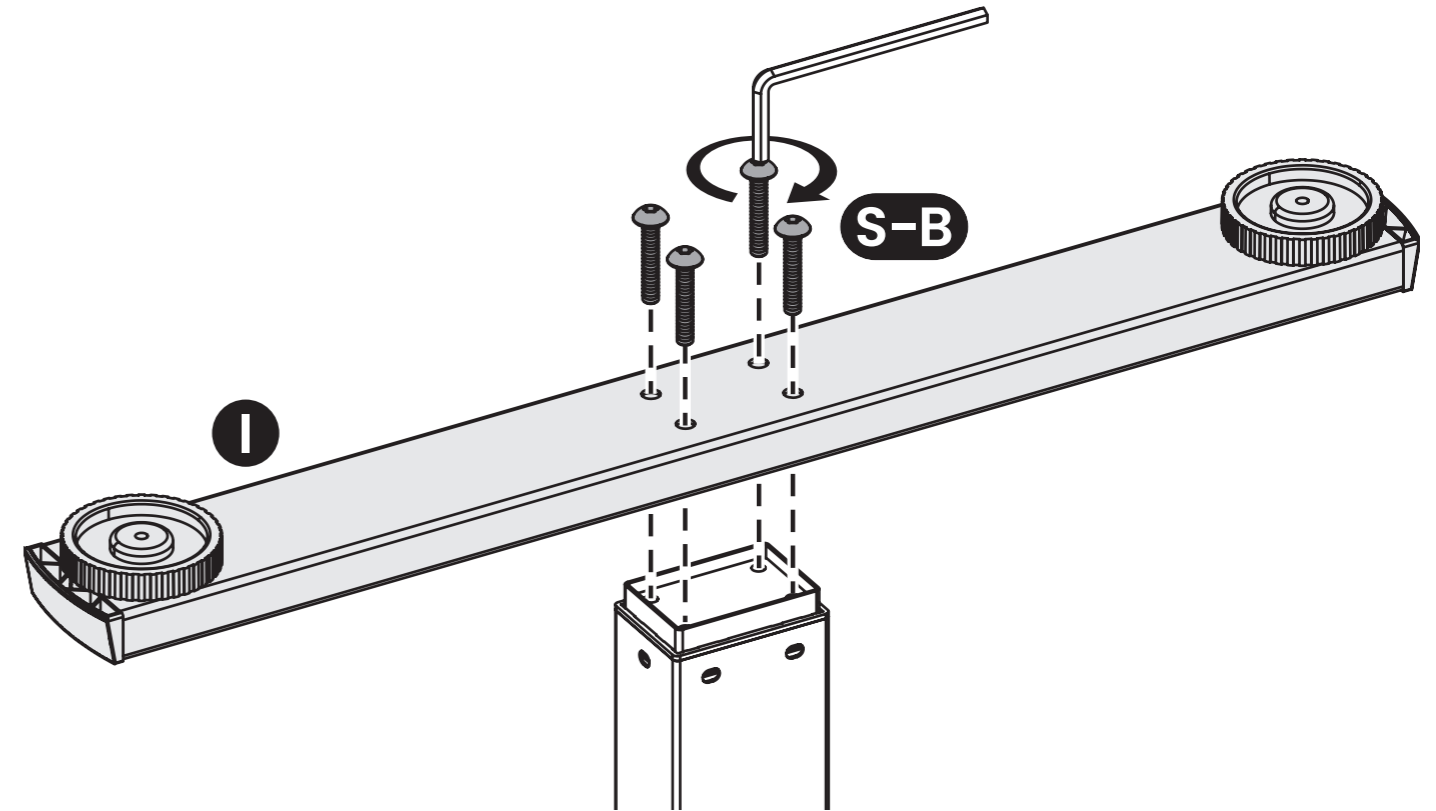
- Attach the Crossbar to the Lifting Columns (G) and (H) by tightening the Screws (S-A).



Assembly

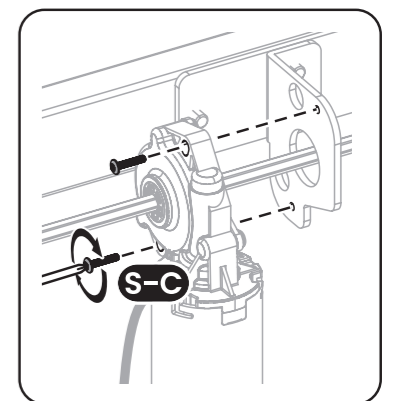
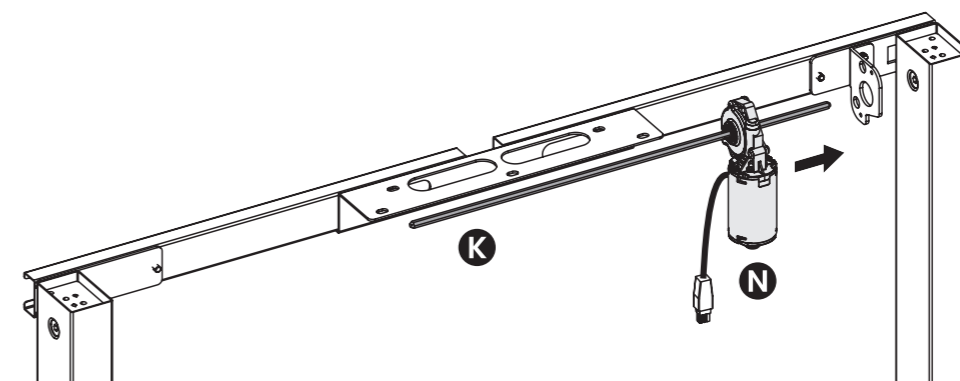
2 Attaching the Feet

- Attach the Foot (I) to the Lifting Column by tightening the Screws (S-B).
- Repeat the same process to attach the other foot.



3 Attaching the Sync Rod and Motor

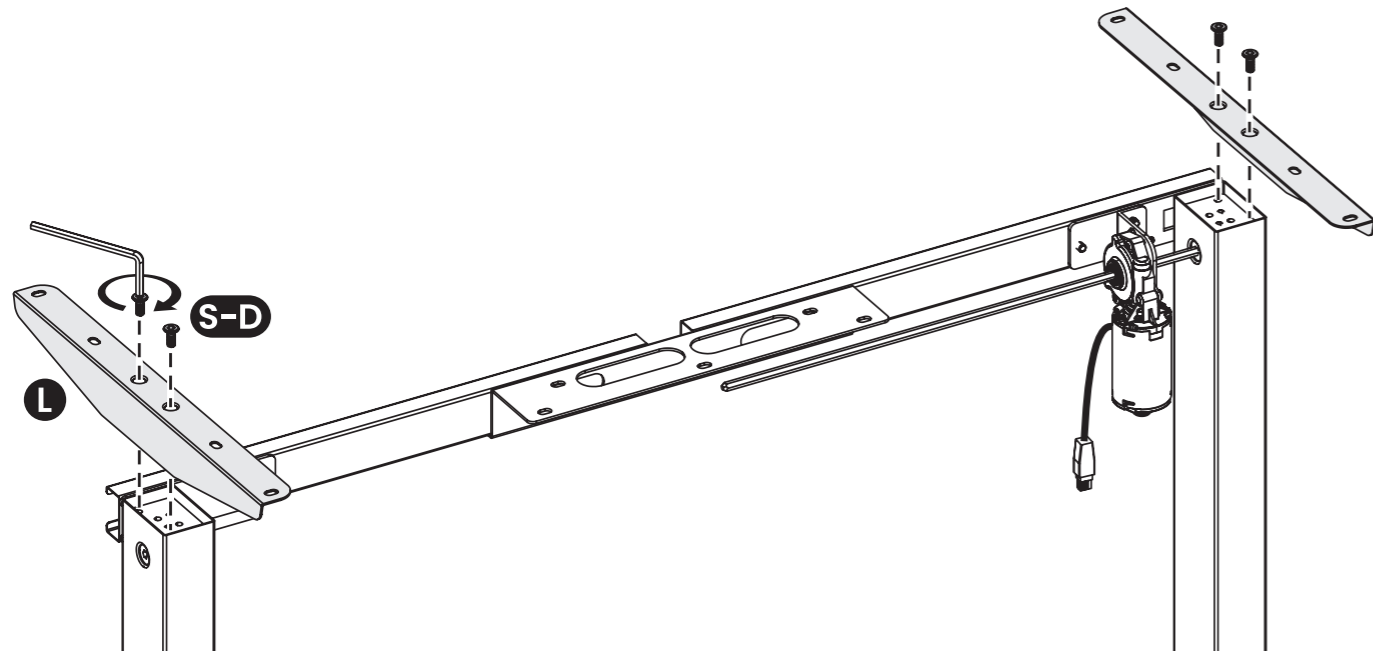
- Insert the Sync Rod (K) through the Motor (N), the Motor Bracket (O) and the Lifting Column (H) as shown, then secure the motor using the Screws (S-C).



Assembly

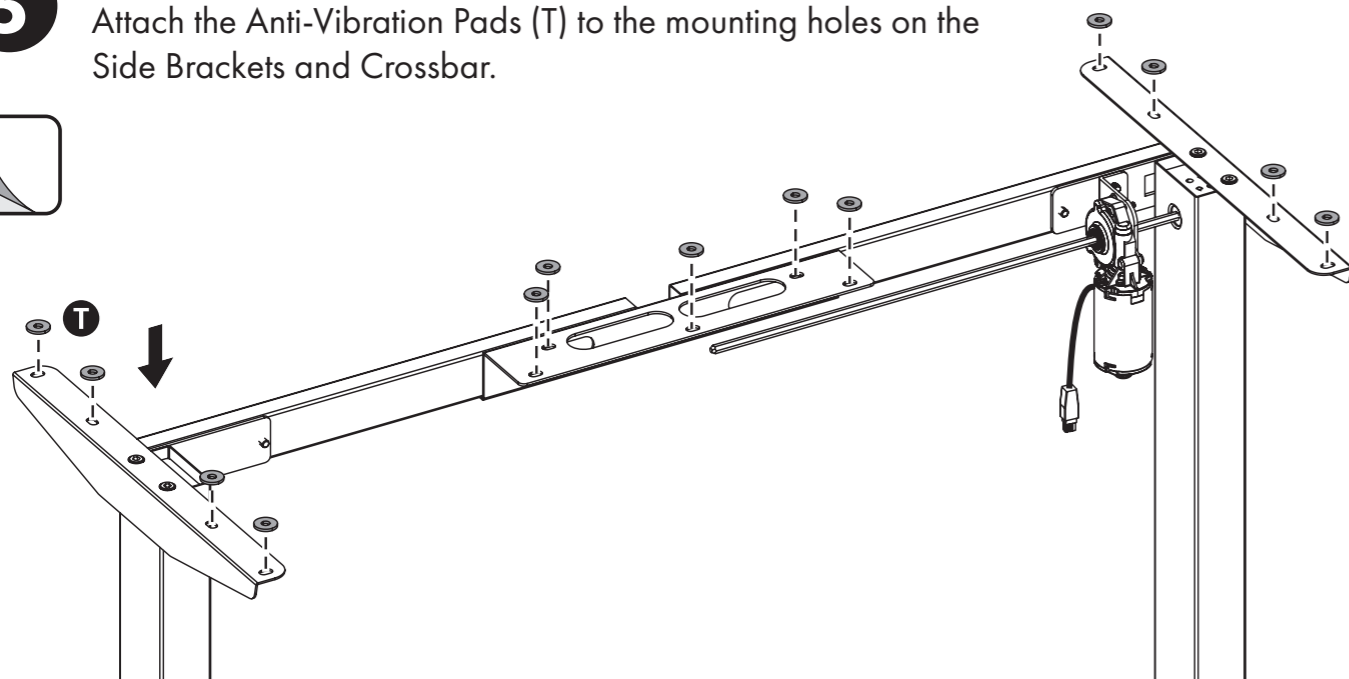
4 Attaching the Side Brackets

- Attach the Side Bracket (L) to the Lifting Column using Screws (S-D).
- Repeat the same process to attach the other side bracket.



5 Attaching the Anti-Vibration Pads (T)

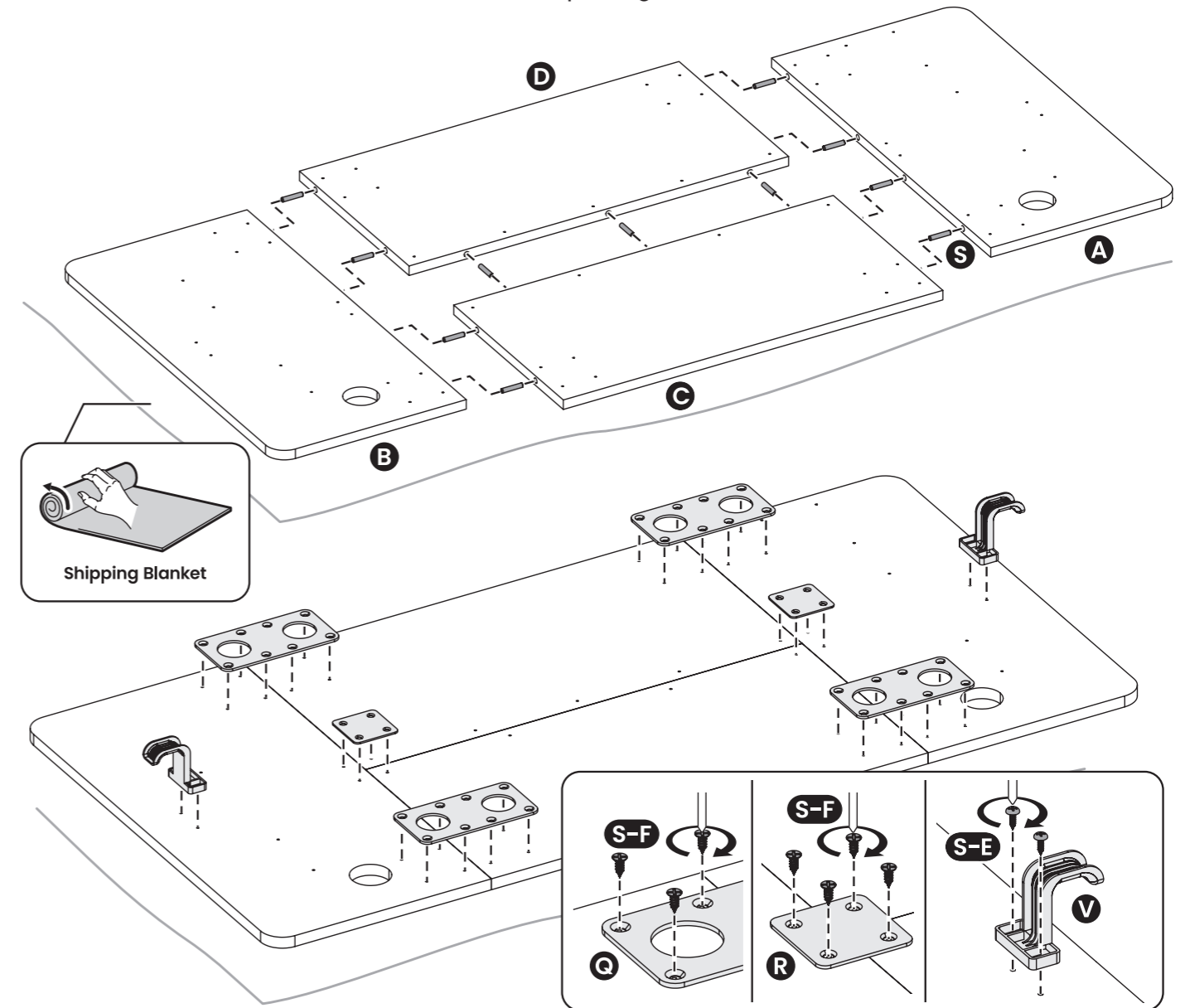
Attach the Anti-Vibration Pads (T) to the mounting holes on the Side Brackets and Crossbar.



Assembly

6 Assembling the Desktop

- Carefully place 4 pieces of Desktop (A) / (B) / (C) / (D) upside down on the floor as shown.
- Assemble the split desktop with 11 Wooden Dowel Pins (S) and 4 Connecting Plates (Q) and 2 Connecting Plates (R) using Screws (S-F).
- Attach the Hook (V) to the Desktop using the Screw (S-E).



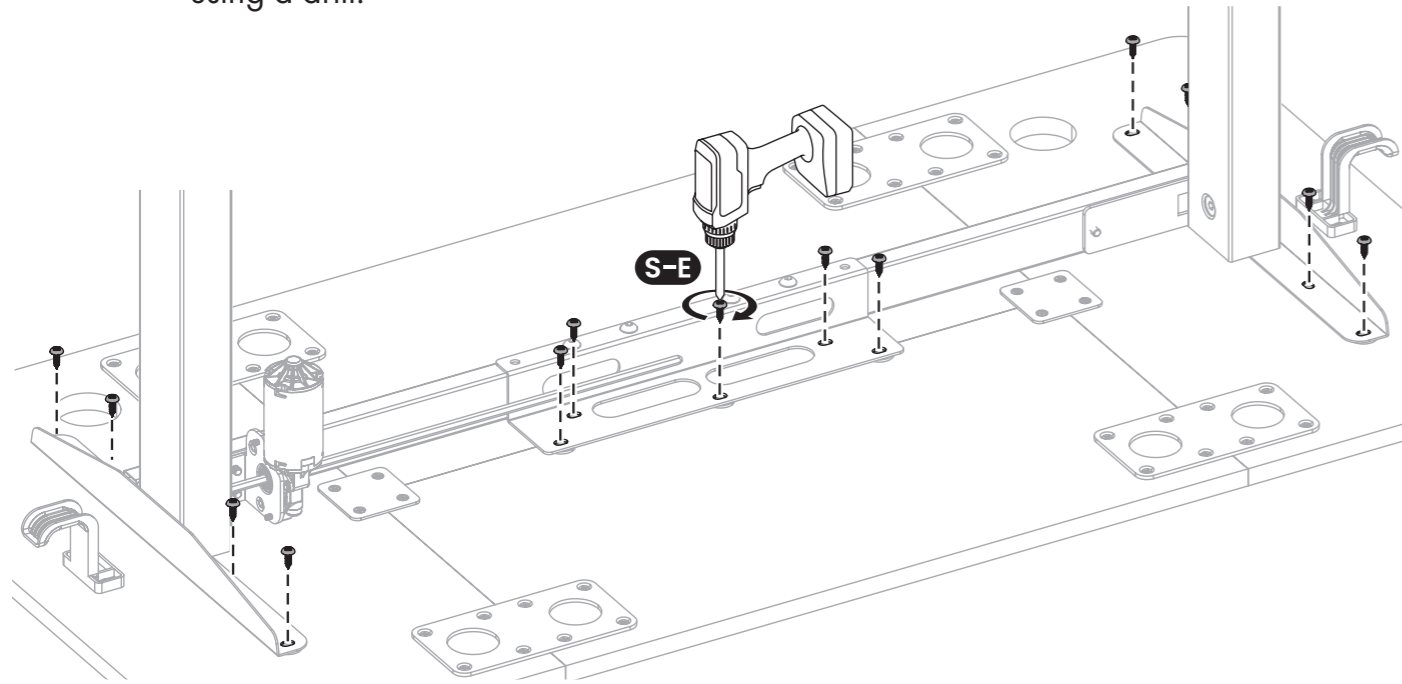
Note: Please prepare a shipping blanket to prevent scratches on the floor and desk components.

Note: Please make sure the desktop pieces keep facing down whilst installation.

Assembly

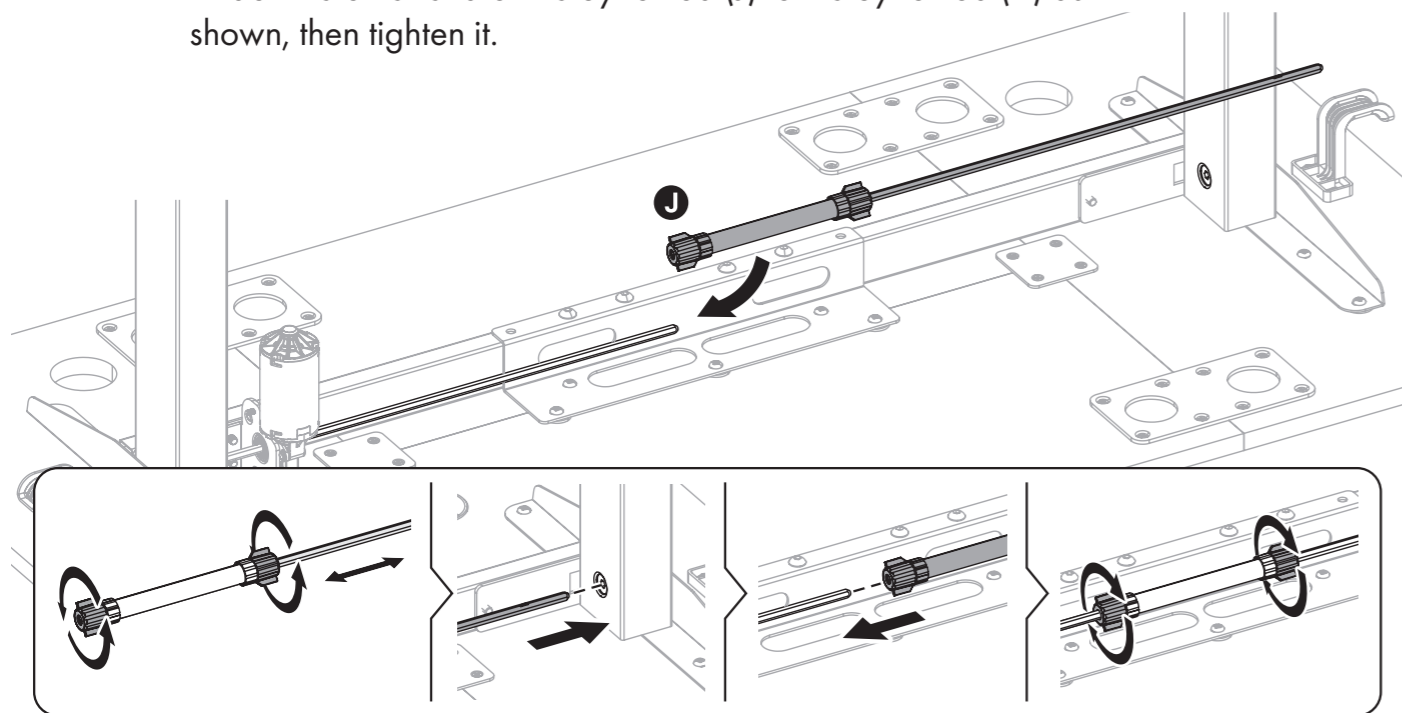
7 Attaching the Desktop

- Align the mounting holes on the desktop, side brackets and crossbar, then attach the assembled desk frame to the desktop with Screws (S-E) using a drill.



8 Attaching the Sync Rod

- Insert the thin end of the Sync Rod (J) into the Lifting Column (G).
- Attach the other end of the Sync Rod (J) to the Sync Rod (K) as shown, then tighten it.

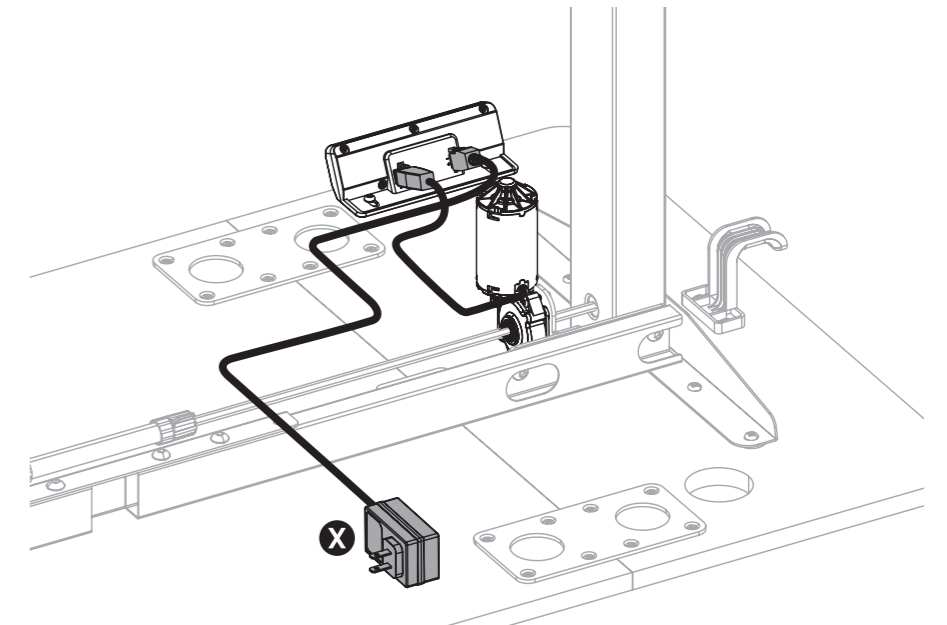
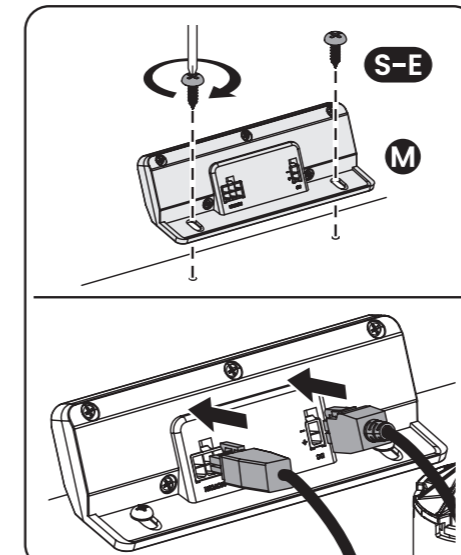


Assembly

9 Attaching the Controller and Connecting Cords

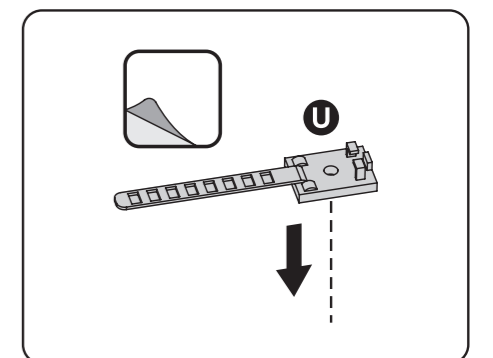
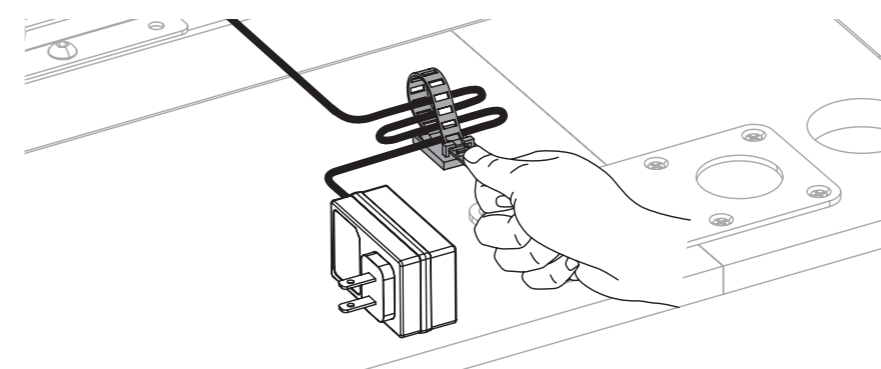
- Attach the Controller (M) to the desktop using Screws (S-E).
- Connect the Controller with the AC Adapter (X) and motor.

Note: Do not plug into the power before the desk is fully assembled.



10 Cable Management

- Organise the cables using the Cable Ties (U)



Assembly

11

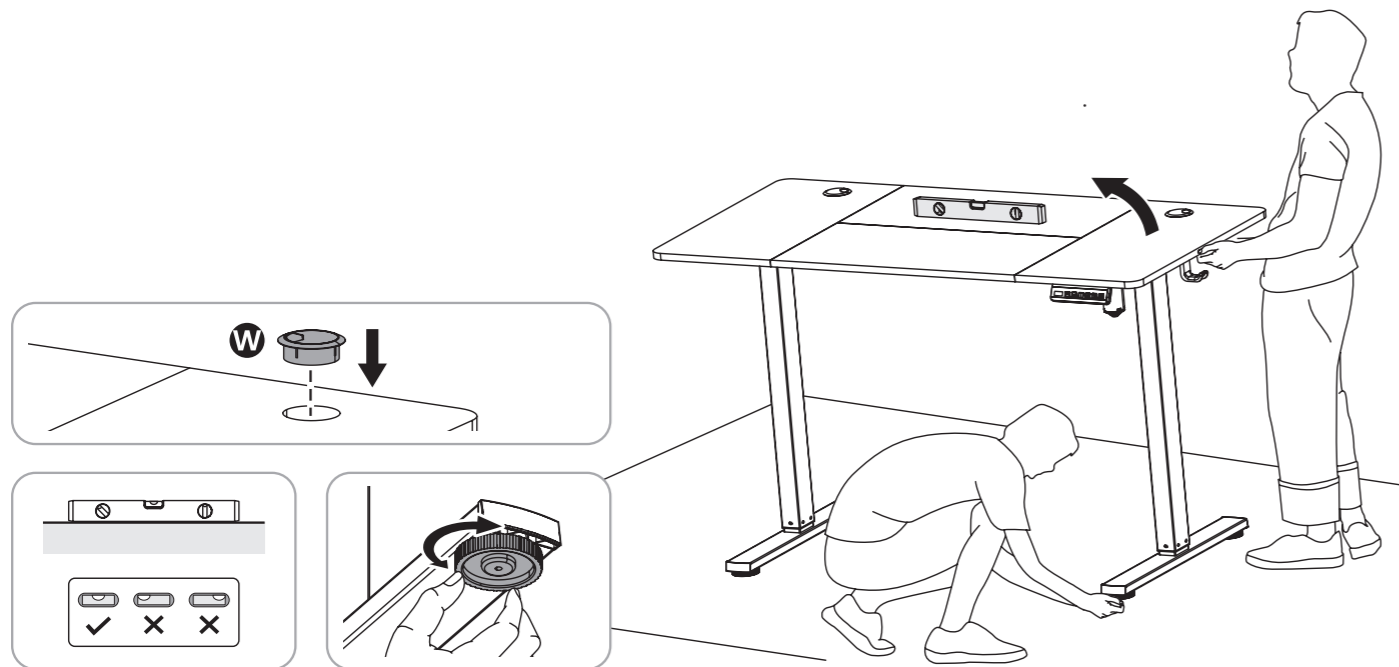
Attaching the Decorative Cover and Adjusting the Desk

- If the floor isn't even, simply rotate the pad to adjust the level to make the desk stable.

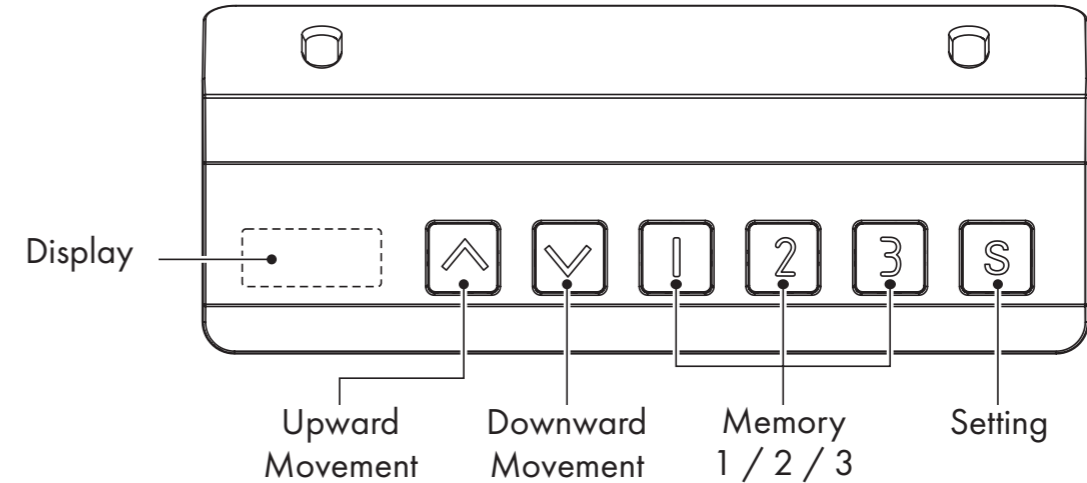
Tip: Use a bubble level (not included) to check if the desktop is even.



CAUTION: At least two people are required when turning over the desk, or serious bodily injuries might occur.



Control Panel



Reset

Press and hold the "∨" button until 5s after the lifting columns stop, do not release the button at this stage. The controller will then display "rst", indicating that the reset has begun. The lifting columns will descend slowly to the lowest position and then rebound slightly. Release the "∨" button to complete the reset.

If any unexpected situation occurs during the reset process, release the "∨" button at any time, the lifting columns will stop, and the reset will be terminated. After termination, the reset procedure must be performed again until it is successfully completed; otherwise, no other operations can be carried out.

Upward Adjustment

Press and hold the "∧" button on the controller to raise the desk, release the button to stop the movement.

Downward Adjustment

Press and hold the "∨" button on the controller to lower the desk, release the button to stop the movement.

Memory Setting

The controller can save up to 3 height positions, corresponding to the "1", "2", and "3" buttons. When the lifting columns are in the stationary state, press the "S" button, and the controller will display "S--". Then press any one of the "1", "2", or "3" buttons, the current desk height will be saved to the selected button. After the desk height has been saved, simply press the corresponding "1", "2", or "3" button, and the desk will automatically move to the saved height. During the movement to the memory height, pressing any button to stop the motion.

Child Safety Lock

Press and hold both the "∧" and "∨" buttons simultaneously for 5s. When the controller displays "LOC," the system is locked, and no lifting/lowering adjustment can be performed. To unlock the system, press and hold both the "∧" and "∨" buttons simultaneously for 5s. When the display changes from "LOC" to normal numeric display, the system is unlocked.

Control Panel

Menu Option Operation

Press and hold the "S" button for 5s to enter the menu options. The menu content will flash on the display. The menu consists of 6 options: Minimum height setting, maximum height setting, desktop thickness setting, current collision avoidance sensitivity during upward movement, current collision avoidance sensitivity during downward movement, and display unit setting. Press the "S" button to

scroll through the menu options, and press "▲" and "▼" buttons for quick modifications. To save the current settings, press and hold the "S" button, a progress bar scrolling to the right will appear. Once the progress bar reaches 100%, all current menu settings will be saved. If the saving is successful, "SUS" will be displayed; if it fails, "FAL" will be displayed. The menu will exit automatically.

If no operation is performed for over 10s, the menu mode will exit automatically.

Menu Options	Display	Notes
Minimum Height Setting	72-108 Default: 72	Available Range: 72cm-108cm; Adjustment Precision: 1cm The minimum height value must be at least 10cm lower than the maximum height value.
Maximum Height Setting	82-118 Default: 118	Available Range: 82cm-118cm; Adjustment Precision: 1cm The maximum height value must be at least 10cm higher than the minimum height value.
Desktop Thickness Setting	0-30 Default: 2	Available Range: 0cm-30cm; Adjustment Precision: 1cm
Current Collision Avoidance Sensitivity During Upward Movement	PC0-PC5 Default: PC1	Available Range: 0-5 Off State: 0 1-5: The sensitivity rises with the number.
Current Collision Avoidance Sensitivity During Downward Movement	DC0-DC5 Default: DC1	Available Range: 0-5 Off State: 0 1-5: The sensitivity rises with the number.
Display Unit Setting	U-0-U-1 Default: U-0	U-0: Metric Unit (cm) U-1: Imperial Units (inch)

Control Panel

Power-Saving Mode

If no buttons are pressed within 1min, the system will enter the power-saving mode, and the display on the controller will be in the off state. Press any button to exit the power-saving mode.

Troubleshooting Guide

SC0 - Self-Check Failed - Standby Current Abnormal

Plug out the power and re-plug. If the alarm continues, replace the controller.

SC1 - Self-Check Failed - Main Power Supply & Voltage Abnormal

Plug out the power and re-plug. If the alarm continues, replace the controller or adaptor.

SC4 - Self-Check Failed - Drive Voltage Abnormal

Plug out the power and re-plug. If the alarm continues, replace the controller.

HOT - Overheat Protection

The system automatically enters the protection mode due to overheating, and the alarm will automatically stop after 18min.

r-6 - Main Power Supply & Voltage Abnormal

When the main power supply and voltage are restored, the alarm will be cleared automatically. If the alarm occurs frequently, replace the controller or the adaptor.

rst - Reset Not Completed

Continue to finish the reset.

E10 - Short Circuit of the Drive Circuit

Plug out the power and re-plug. If the alarm continues, replace the controller.

E11 - Overload Protection

Operation is prohibited in the state of overload protection. The alarm will automatically clear after 20s. To resume operation, reduce the load or check for mechanical faults in the height adjustment mechanism.

E12 - Motor Phase Loss

Check if the motor wires are connected properly, reconnect the motor wires and perform the reset process. If the alarm continues, replace the controller or motor wires.

E13 - Motor Hall Signal Abnormal

Check if the motor wires are connected properly, reconnect the motor wires and perform the reset process. If the alarm continues, replace the controller or motor wires.

E14 - Collision Protection

When the collision protection is triggered, the lifting columns will immediately move 5cm in the opposite direction and then stop. The alarm will be cleared automatically.

E16 - Motor Wires Not Connected

Check if the motor wires are connected properly, reconnect the motor wires, if the alarm continues, replace the controller or motor wires.

E17 - Mechanical Failure

Check if the lifting column structure or the motor is abnormal, and replace if necessary.

Information

Important Safety Notice

This product is **not suitable for use by children** or by individuals with **physical, sensory, or mental impairments** that may limit their ability to operate the equipment safely, **unless** they have been given supervision or instruction concerning the safe use of the product by a person responsible for their safety.

Improper use may result in serious injury. Always ensure the operator is capable of understanding and following all safety instructions provided in this manual.

Safety Instructions and Warnings

Ensure the mounting surface is sufficiently strong to handle the mounted product and equipment.

DO NOT EXCEED THE MAXIMUM LISTED WEIGHT CAPACITY.

Always ensure someone assists you or use a mechanical device to lift and position heavy products safely.

Tighten screws firmly, but do not over-tighten. Over-tightening may cause product damage that significantly reduces holding power.

Keep a clear area and distance from moving parts when using the product.

Use only as intended. Never stand, hang, or climb on the product.

This product is intended for indoor use only.

Any attempts to reconstruct or alter the power unit and control box are not permitted.

This product may contain small items that could pose a choking hazard if swallowed. Keep children away unless the product is intended for their use and all instructions and manuals have been fully reviewed and understood.

Check that the product is secure and safe to

use at regular intervals (at least every three months).

Additional Cautions

Do not clean the product with water whilst the power is still connected.

Do not disassemble or replace components whilst the power is still connected.

Never operate the system with a damaged cord or plug.

Never operate the system if it is in a moist environment or its electrical components have had contact with liquids.

If the control box makes unusual noise or smells, switch off the mains voltage immediately.

Disposal

The product bearing this mark indicates that it should not be disposed of with other household waste throughout the EU. To prevent possible harm to the environment or human health from uncontrolled waste disposal, recycle it responsibly to promote the sustainable reuse of material resources. To return your used device, please use the local recycle service or contact your point of purchase to arrange collection of the product.

Information

Customer Service

If you are having difficulty using this product and require support, please contact support@vonhaus.com

Warranty

To register your product and find out if you qualify for a free extended warranty please go to www.vonhaus.com/warranty

Please retain a proof of purchase receipt or statement as proof of the purchase date.

The warranty only applies if the product is used solely in the manner indicated in the warnings page of this manual, and all other instructions have been followed accurately.

Any abuse of the product or the manner in which it is used will invalidate the warranty.

Returns

Returned goods will not be accepted unless re-packaged in its original packaging and accompanied by a relevant and completed returns form. This does not affect your statutory rights.

No rights are given under this warranty to a person acquiring the appliance second-hand or for commercial or communal use.

Copyright

All material in this instruction manual are copyrighted by DOMU Brands.

Any unauthorised use may violate worldwide copyright, trademark, and other laws.

Thank You

Thank you for purchasing your product/appliance.

Should you require assistance with your purchase, please contact us at support@vonhaus.com

VonHaus is a registered trademark of DOMU Brands Ltd.

Made in China for DOMU Brands Ltd.
Unit 30, Stakehill Industrial Estate
Middleton, Manchester, M24 2RW

EU Authorised Representative

Authorised Representative Service
77 Camden Street Lower
Dublin, D02 XE80
Ireland

Let's get started!

Visit our product hub for useful tips and tricks on getting the most out of your new product.

SCAN ME



Product No. 3005126 / 3005127
3005128 / 3005130

vonhaus