

3000195



Please read all instructions carefully before use and retain for future reference.



INTENDED USE This product is not intended for outdoor use. This product is not intended as a climbing structure and it is not a toy. Children should be supervised to ensure that they do not play with the product.

BEFORE FIRST USE Locate the product in a suitable area where it will not create an obstruction. Locate away from sources of combustion.

GENERAL SAFETY Place on solid and even ground. Only use in an upright stable position. Do not overload the product as this may result in damage to the product or personal injury.

CLEANING & MAINTENANCE Do not clean the product with any abrasive cloths or chemicals. Solvents or detergents can cause damage to the surface. Sponge down with warm water before thoroughly drying. Ensure you have all the pieces listed. If you are missing any components, contact our customer services department at support@domu.co.uk



110kg/242lb

Maximum



Do not climb on



Do not jump on



DISPOSAL INFORMATION Please recycle where facilities exist. Check with your local authority for recycling advice.

CUSTOMER SERVICE If you are having difficulty using this product and require support, please contact support@domu.co.uk

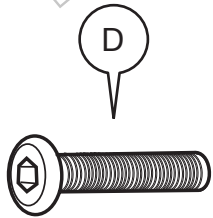
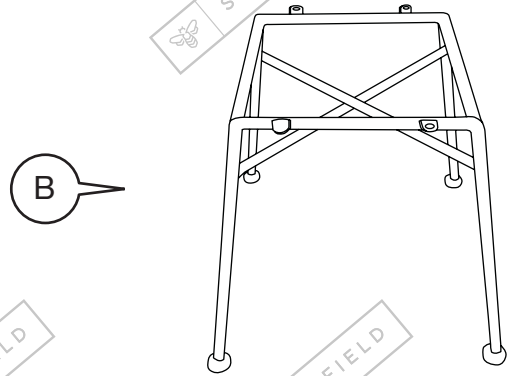
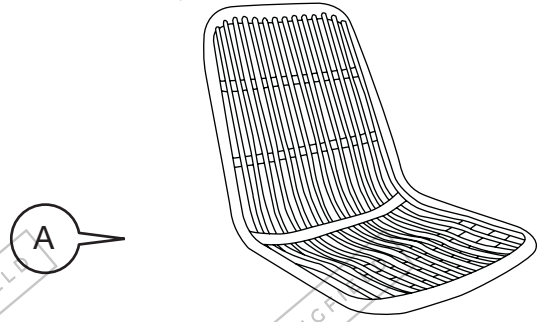
WARRANTY To register your product and find out if you qualify for a free extended warranty please go to www.vonhaus.co.uk/warranty Please retain a proof of purchase receipt or statement as proof of the purchase date. The warranty only applies if the product is used solely in the manner indicated in the warnings page of this manual, and all other instructions have been followed accurately. Any abuse of the product or the manner in which it is used will invalidate the warranty. Returned goods will not be accepted unless re-packaged in its original packaging and accompanied by a relevant and completed returns form. This does not affect your statutory rights. No rights are given under this warranty to a person acquiring the appliance second-hand or for commercial or communal use.

COPYRIGHT All material in this instruction manual are copyrighted by DOMU Brands. Any unauthorised use may violate worldwide copyright, trademark, and other laws.

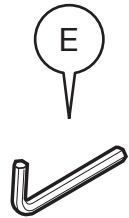
THANK YOU

Thank you for purchasing your product/appliance. Should you require further assistance with your purchase, you can contact us at support@domu.co.uk VonHaus is a registered trademark of DOMU Brands Ltd. Made in India for DOMU Brands. M24 2RW.

COMPONENTS



x4



x1

ASSEMBLY



10min

Estimated assembly time

