

Birlea®

Assembly Instructions

Thank you for
purchasing a
Birlea product

For a chance to win a Love2Shop voucher simply post a picture of your new product on your preferred social channels tagging Birlea Furniture. One winner will be selected at random each month.

*Terms & conditions may apply.

Are you happy with your purchase?

Yes: That's great, we would love to hear more from you. Please leave us a review on our Trustpilot link on the QR code here. Your feedback will be greatly appreciated.



No: If for any reason there is something missing, indifferent or incorrect with your order, please contact the retailer that you purchased your item from.

Please note that this items build time is around: 30mins



www.birlea.com

ASSEMBLY INSTRUCTIONS AXEL FLUTED DINING BENCH

IMPORTANT: READ THESE INSTRUCTIONS CAREFULLY BEFORE ASSEMBLING OR USING YOUR AXEL ROUND FLUTED DINING BENCH.

PLEASE KEEP THESE INSTRUCTIONS FOR FUTURE REFERENCE.

ASSEMBLY:

Assembly should be carried out with this item laying flat, not standing upright.

Assemble on a soft, clean surface to prevent damages.

To erase the numbers printed on the pieces, use the rubber inside the accessories pack.

HEALTH & SAFETY:

DO NOT use this product if any parts are missing, damaged or worn.

DO NOT use this product unless all fixings are secured.

Always use on a level, even surface.

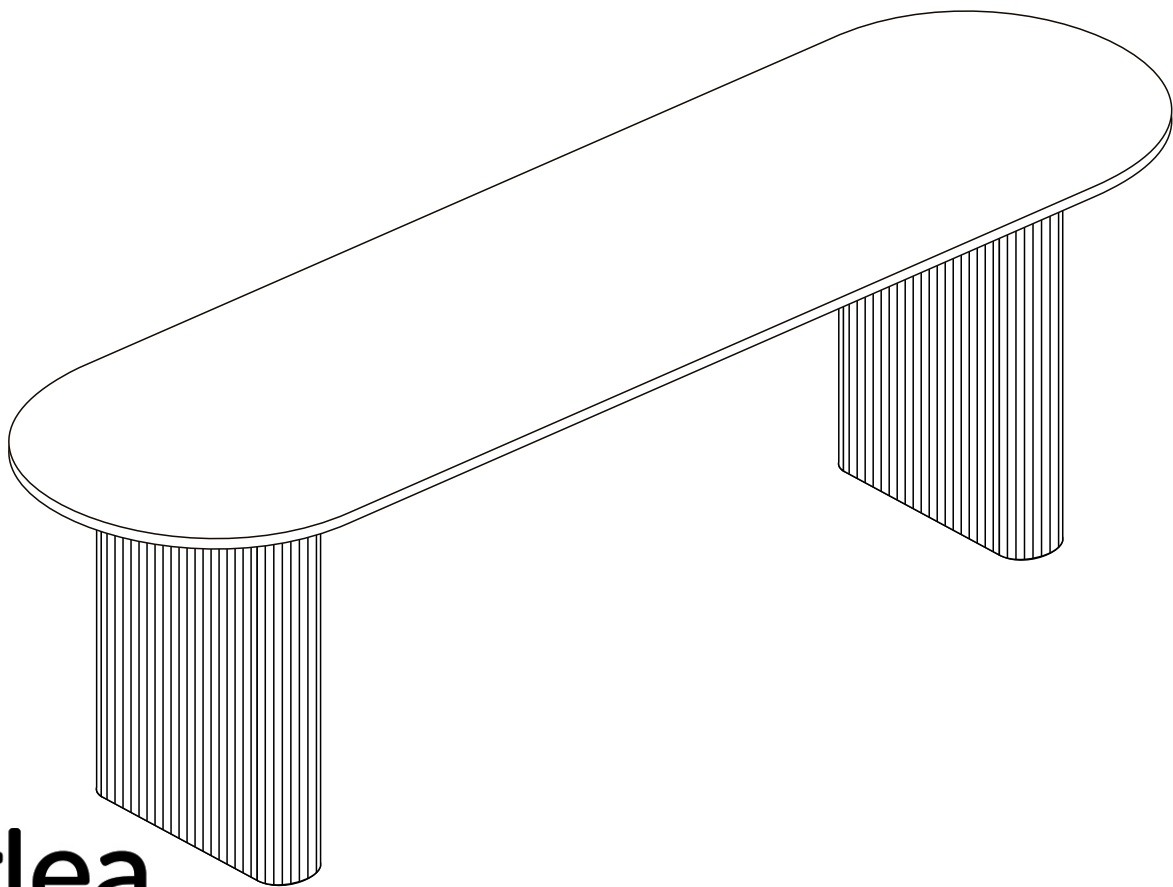
CARE & MAINTENANCE:

Periodically check all screws & fixings to ensure they are secure.

DO NOT push this product as this will cause damage.

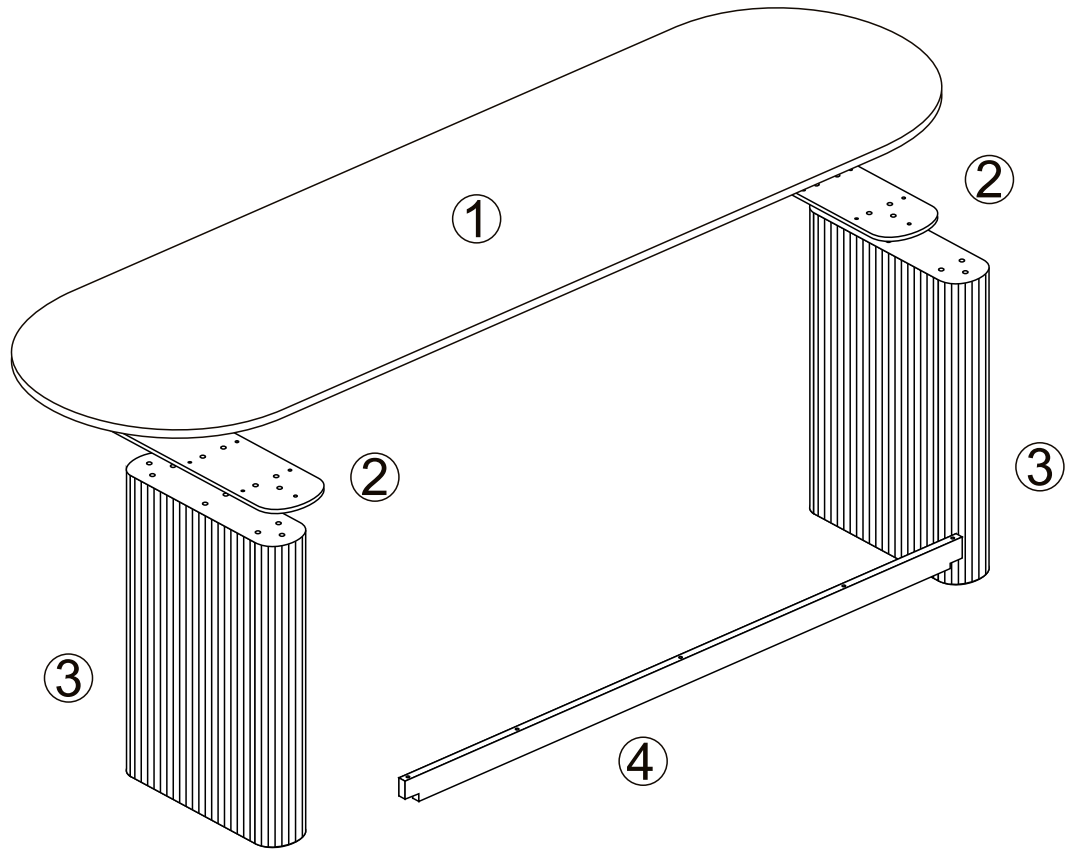
Always lift this product with two people to repositions.

Keep any sharp objects away from this product.



Birlea®

Birlea Furniture Limited – Registered Office Unit 6a-1, Birlea Way, West Meadow Rise, Castle Donington, Derbyshire, DE74 2HL, UK



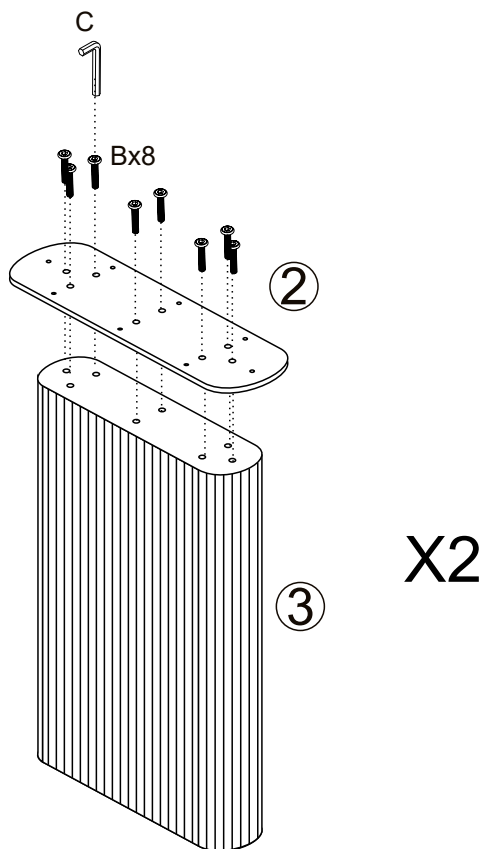
Birlea

Birlea Furniture Limited – Registered Office Unit 6a-1, Birlea Way, West Meadow Rise, Castle Donington, Derbyshire, DE74 2HL, UK

STEP 1: Connect panel(2) with side leg(3) using hardware (B,C).

DO NOT use any power tools as this may damage the frame and will invalidate any claim.

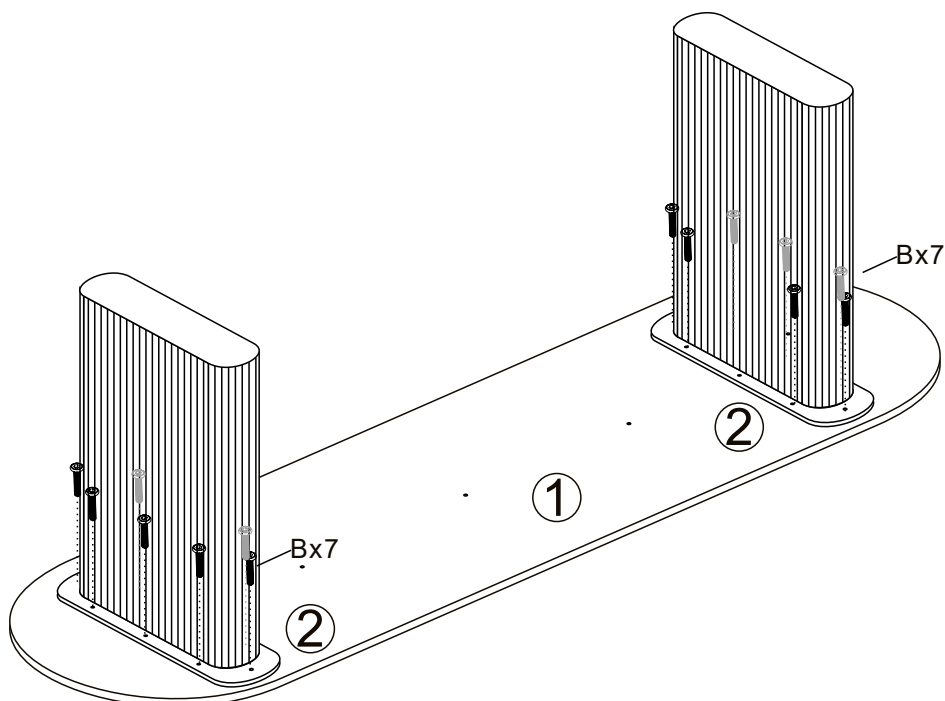
BX16
CX1



STEP 2: Connect panel(2) with top panel(1) using hardware (B,C).

DO NOT use any power tools as this may damage the frame and will invalidate any claim.

BX14
CX1

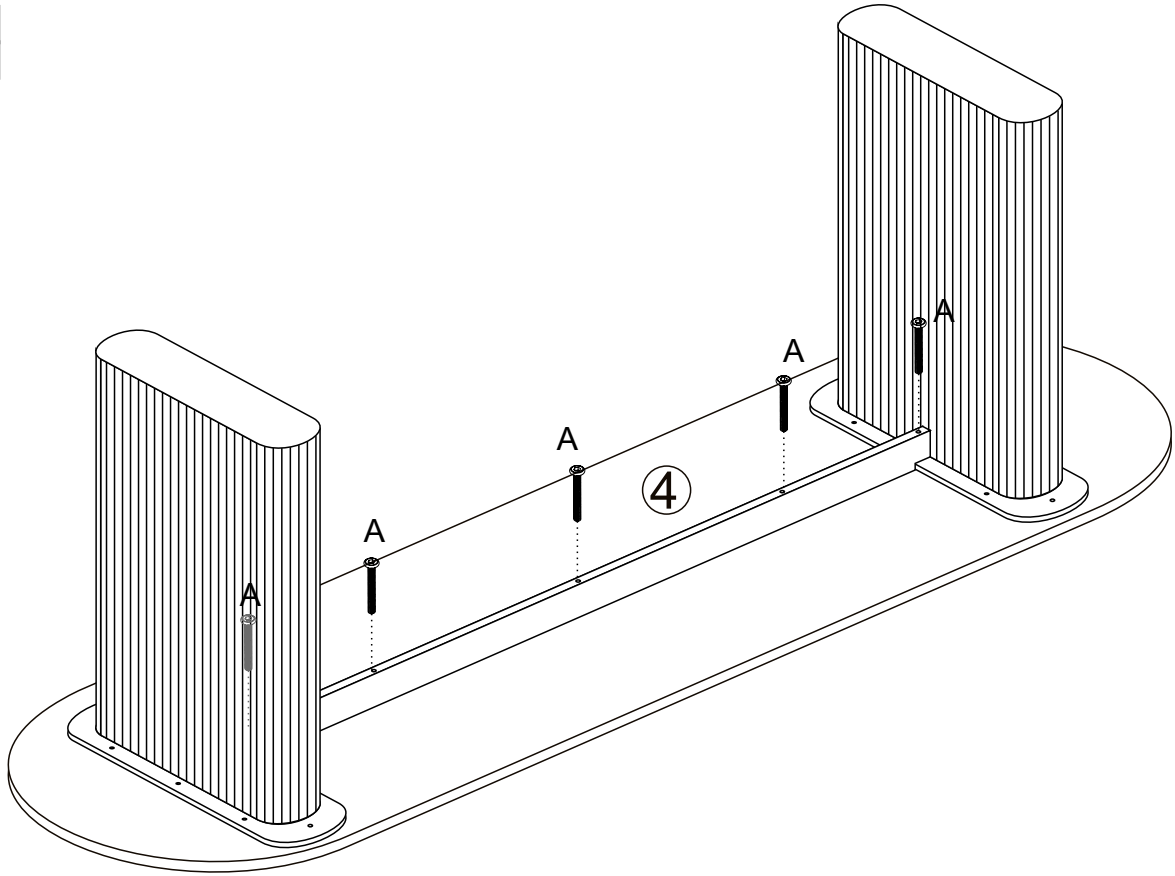


Birlea®

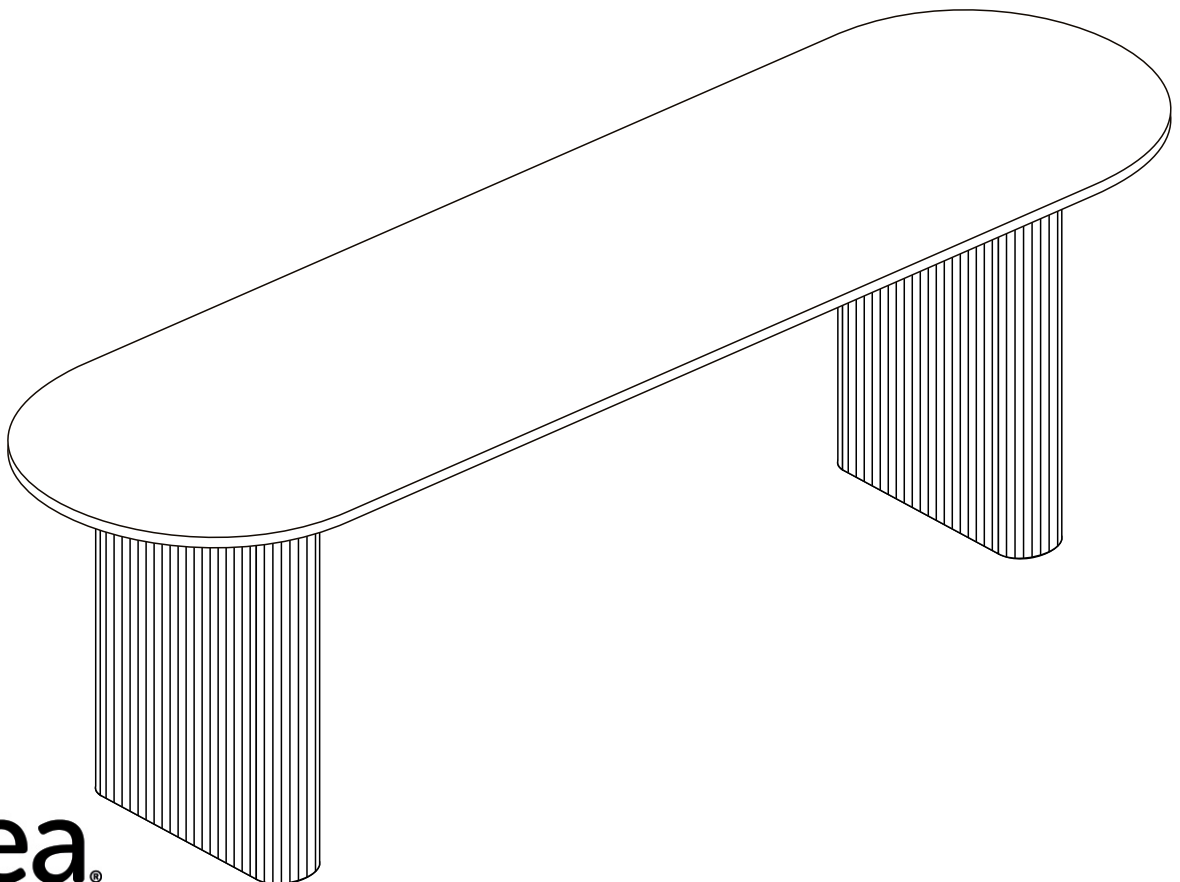
Birlea Furniture Limited – Registered Office Unit 6a-1, Birlea Way, West Meadow Rise, Castle Donington, Derbyshire, DE74 2HL, UK

STEP 3: Connect the frame with connect bar (4) by 5 x screw (A), allen key (C).
DO NOT use any power tools as this may damage the frame and will invalidate any claim.

CX1
AX5



Finished.



Birlea®

Birlea Furniture Limited – Registered Office Unit 6a-1, Birlea Way, West Meadow Rise, Castle Donington, Derbyshire, DE74 2HL, UK

Additional Information:

- For complete product information, images and dimension diagrams please visit the website www.birlea.com
- If you have any issues with your item please contact the retailer directly you purchased it from who will be able to resolve any issues with Birlea.
- Why don't you send us photos of your assembled furniture to info@birlea.com to be shared in our #birleahome feature on instagram.

Birlea®

Birlea Furniture Limited – Registered Office Unit 6a-1, Birlea Way, West Meadow Rise, Castle Donington, Derbyshire, DE74 2HL, UK