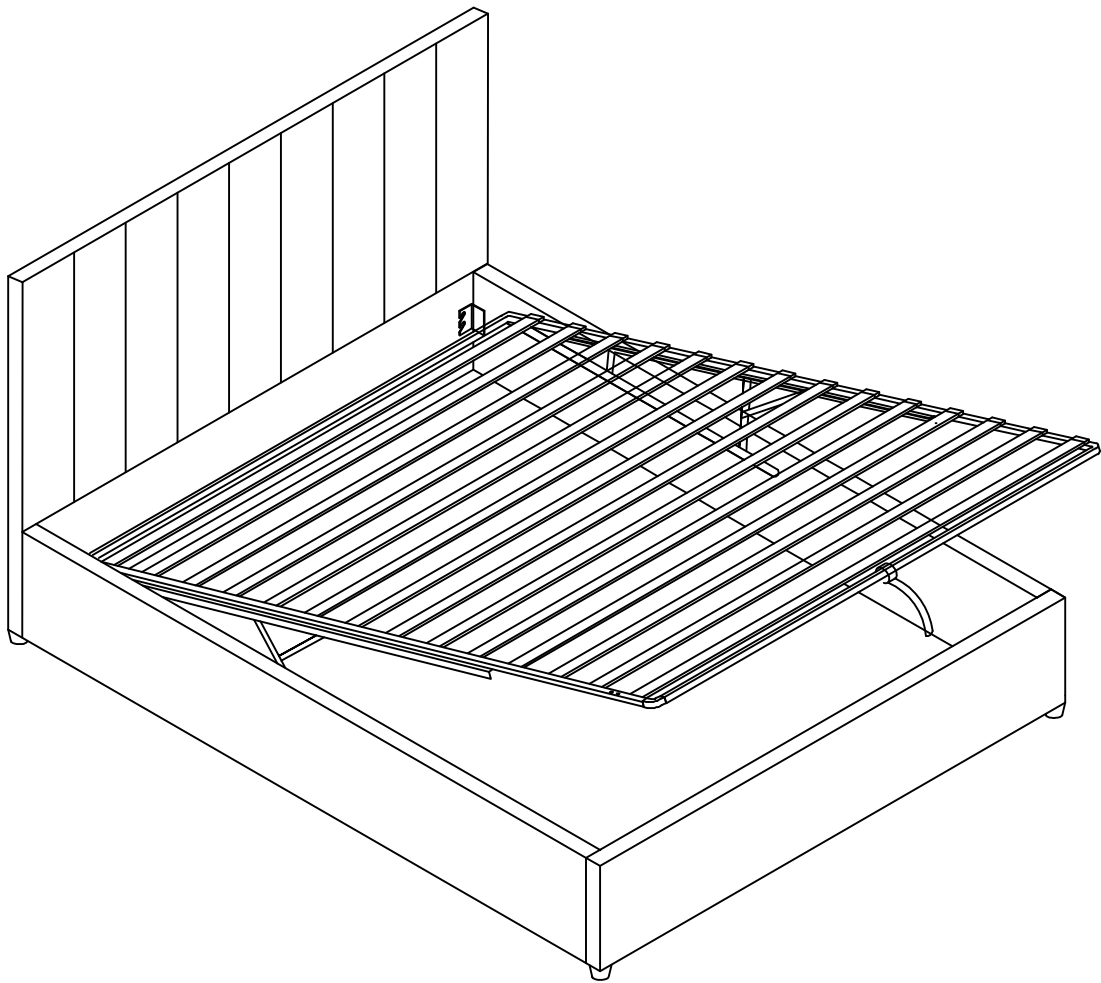
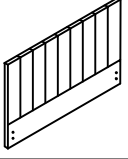
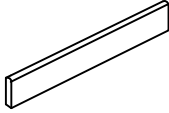
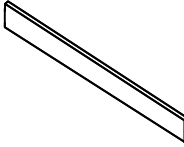
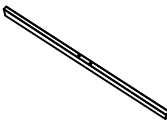



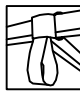
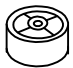

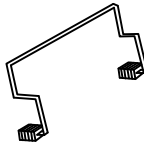
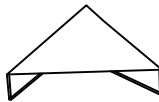
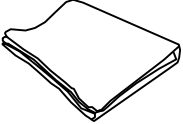


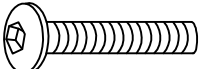
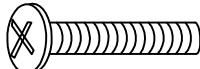



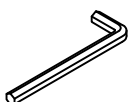
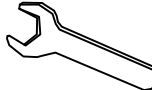
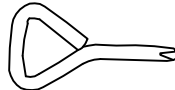

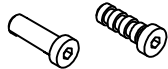
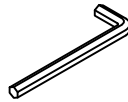
ASSEMBLY INSTRUCTIONS



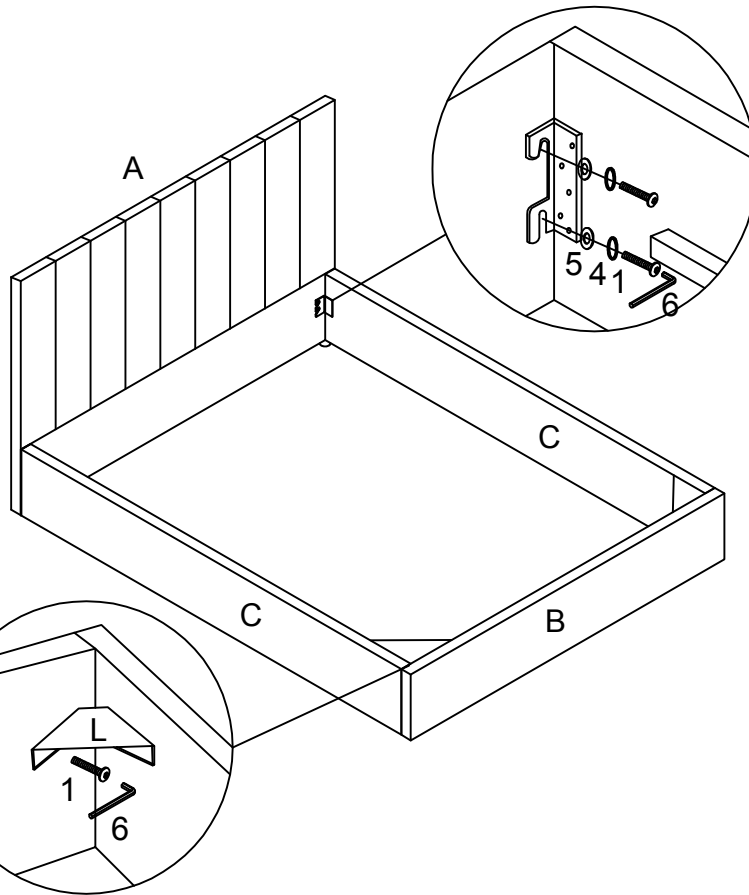
Parts List

<p>A HEAD BOARD 1PC</p> 	<p>B FOOT BOARD 1PC</p> 	<p>C SIDE RAIL 2PCS</p> 	<p>D BEDSTEAD RAIL 2 SETS</p> 
<p>E BEDSTEAD RAIL 2 SETS</p> 	<p>F SLAT 1 5 PCS</p> 	<p>G Single Plastic Cap 3 0 pcs</p> 	<p>H Digging rope 1PC</p> 
<p>I LEG 4 PCS</p> 	<p>J 4 PCS</p> 	<p>K 1 PCS</p> 	<p>L 2 pcs</p> 
<p>M Non-woven fabrics 1pc</p> 			

Hardware List

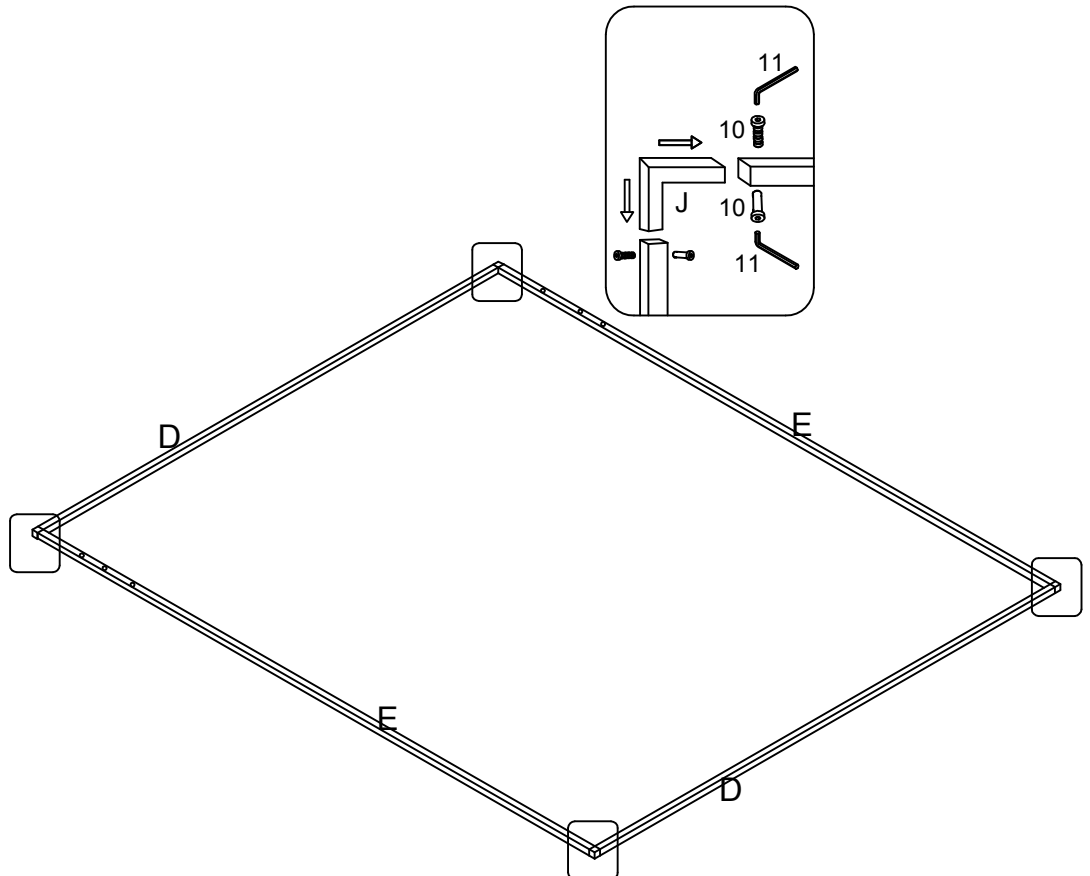
<p>1 M8*30 x16 PCS</p> 	<p>2 M8*40 x 6 PCS</p> 	<p>3 6 pcs</p> 	<p>4 8 pcs</p> 
<p>5 8 pcs</p> 	<p>6 M5 x1 PC</p> 	<p>7 1 pcs</p> 	<p>8 1 pcs</p> 
<p>9 M4*40 x 4 PCS</p> 	<p>10 M6*20 x 8 PCS</p> 	<p>11 M4 x 2 PCS</p> 	

Step1



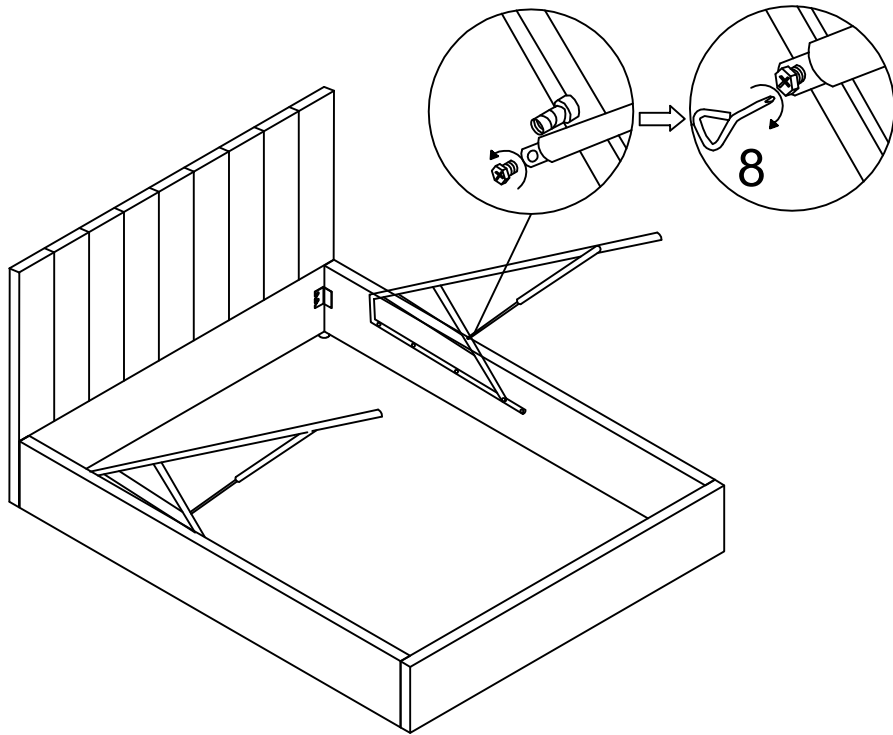
5.x8	
4.x8	
L.x2	
6.x1	
1.x16	

Step2



10.x8	
11.x2	
J.x4	
7.x1	

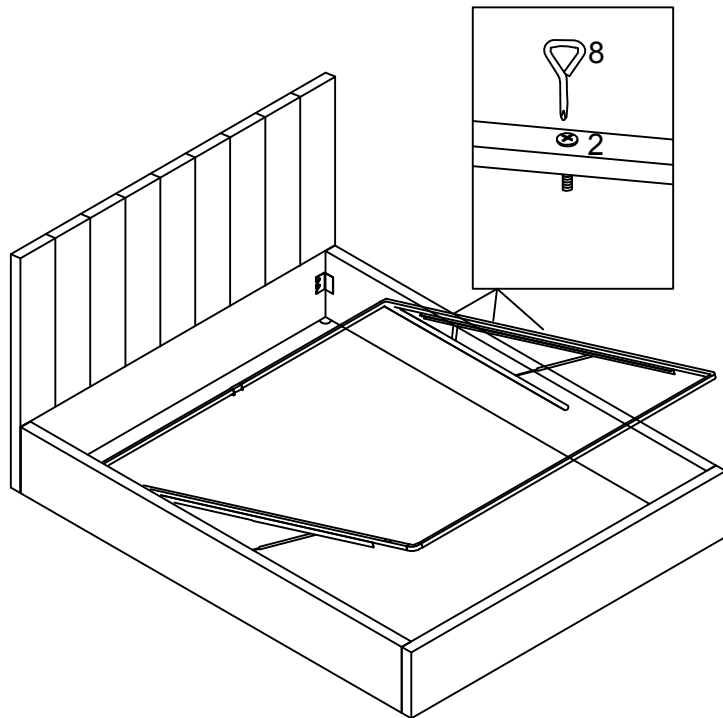
Step3



8.x1



Step4



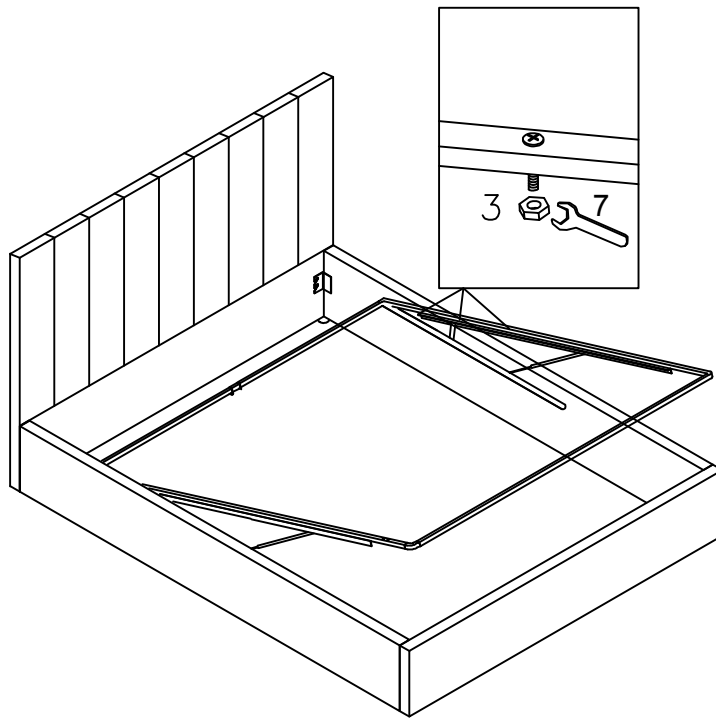
8.x1

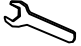



2.x6

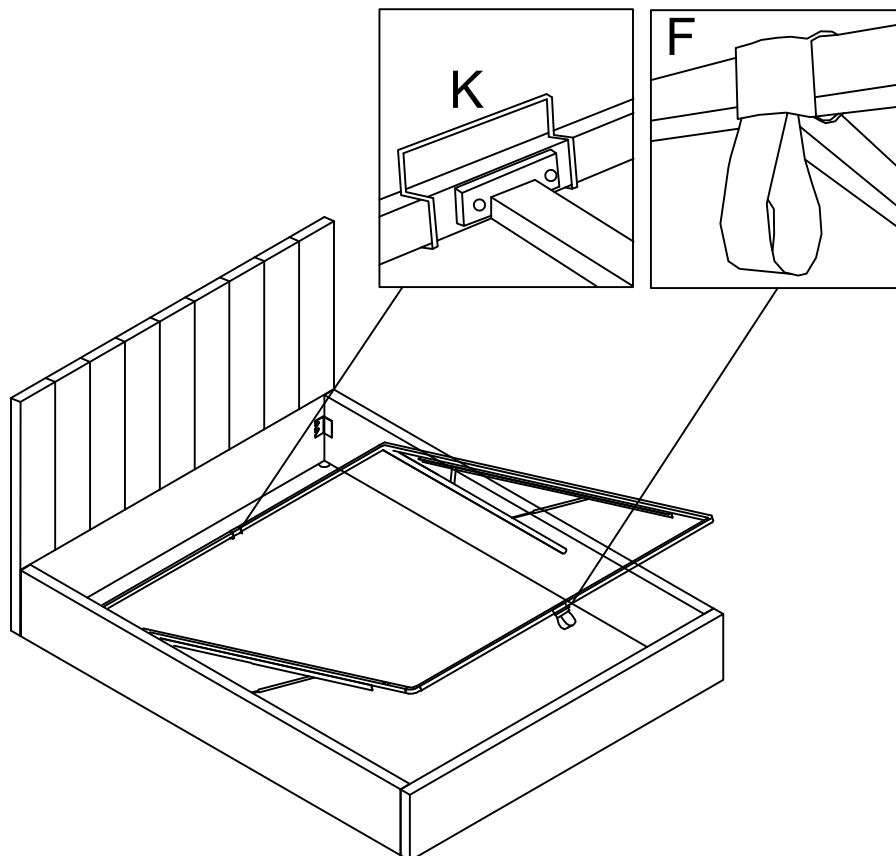




Step5



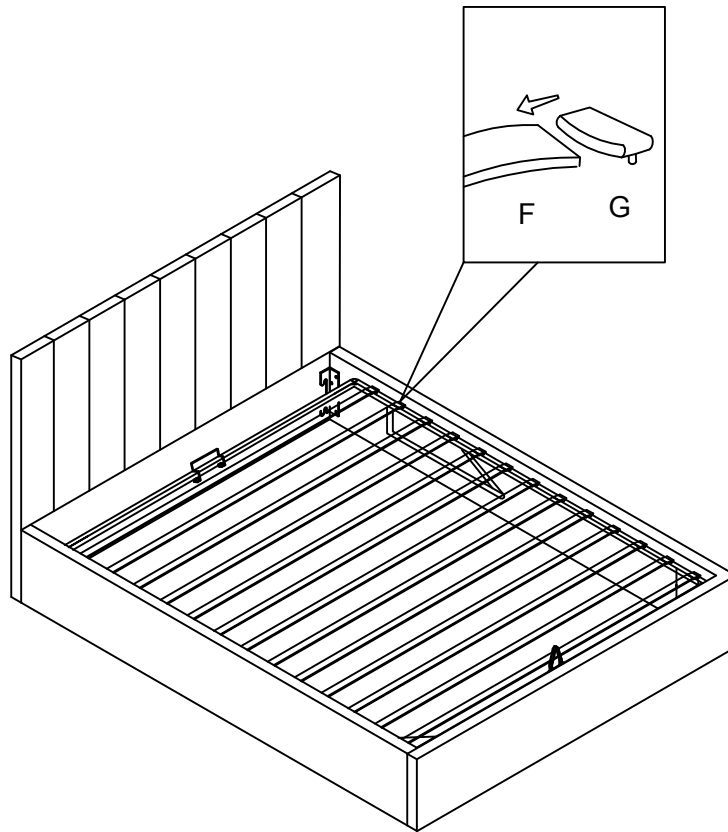
7.x1	
3.x6	

Step6



F.x1	
K.x1	

Step 7



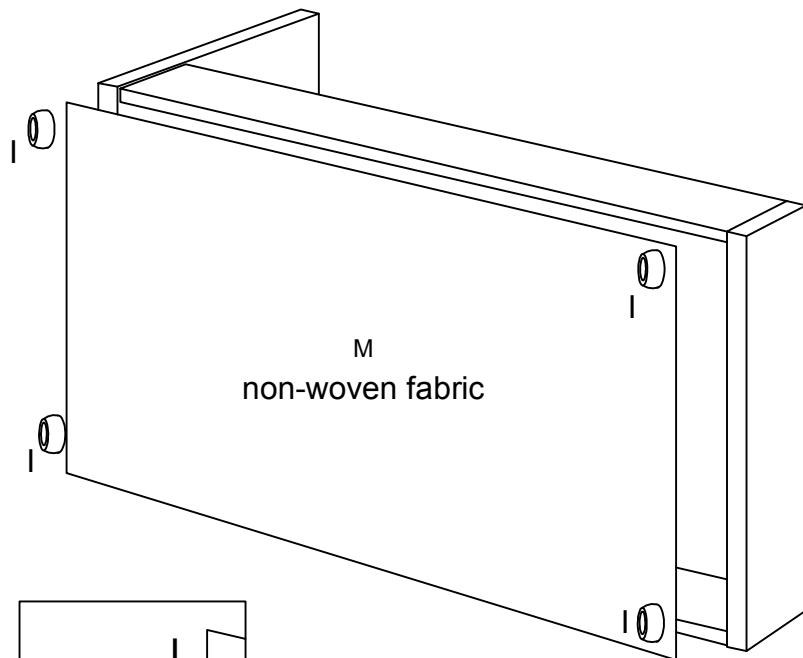
F.x15



G.x30



Step 8



9.x4



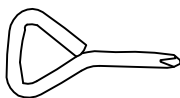
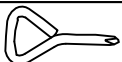
M.x1



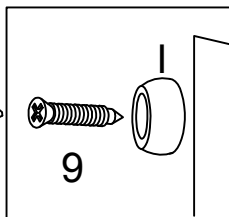
I.x4



8.x1



8



9

Stick the non-woven fabric on bottom and then assemble the 4 feet