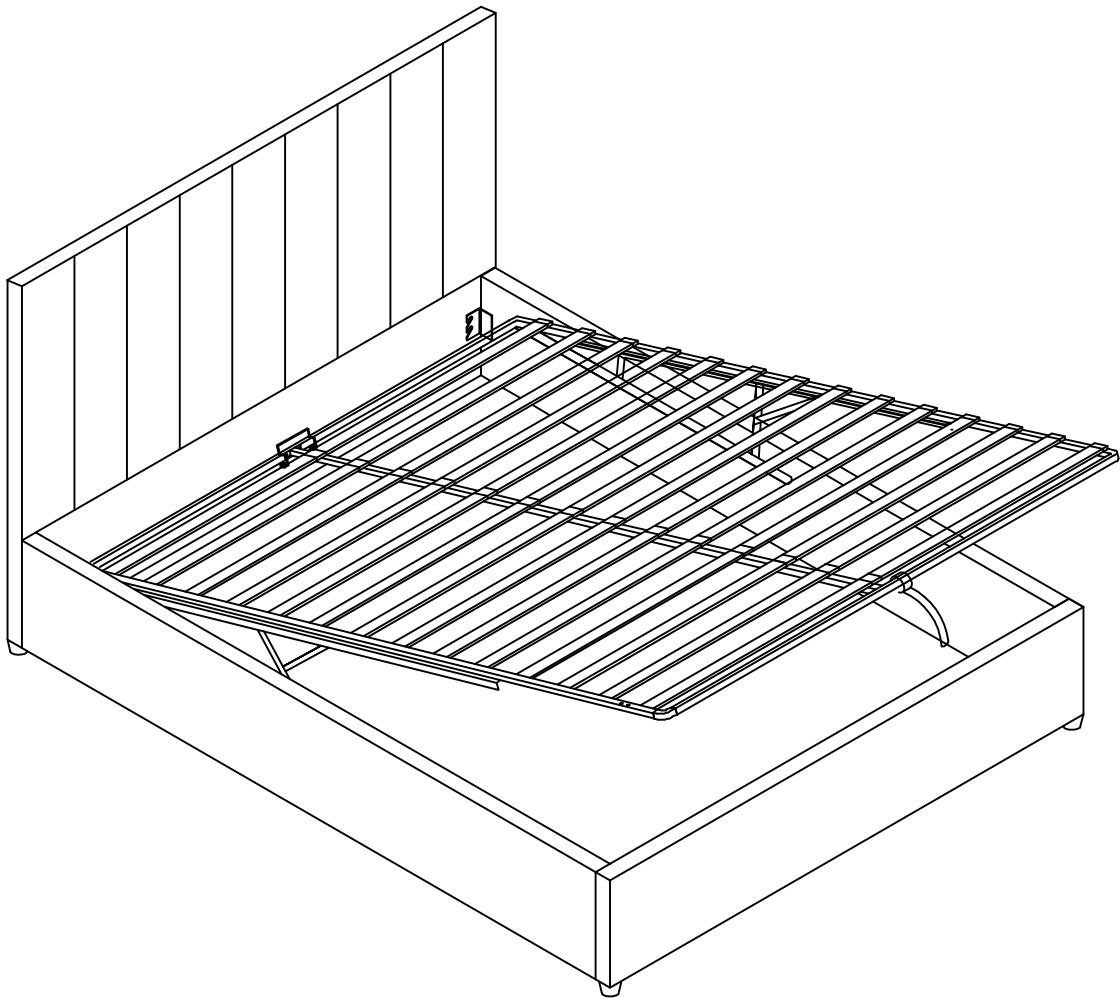
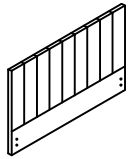
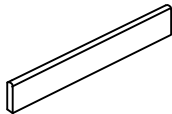
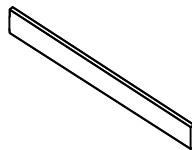
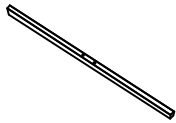



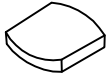


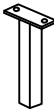
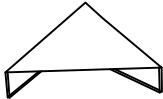
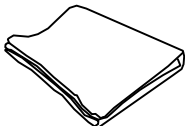
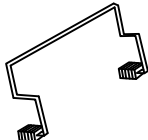

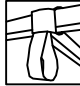


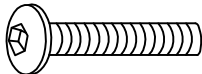
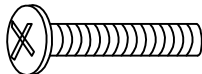
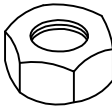


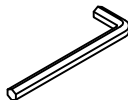
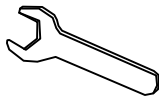
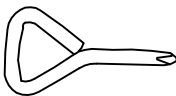


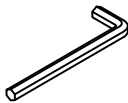
ASSEMBLY INSTRUCTIONS



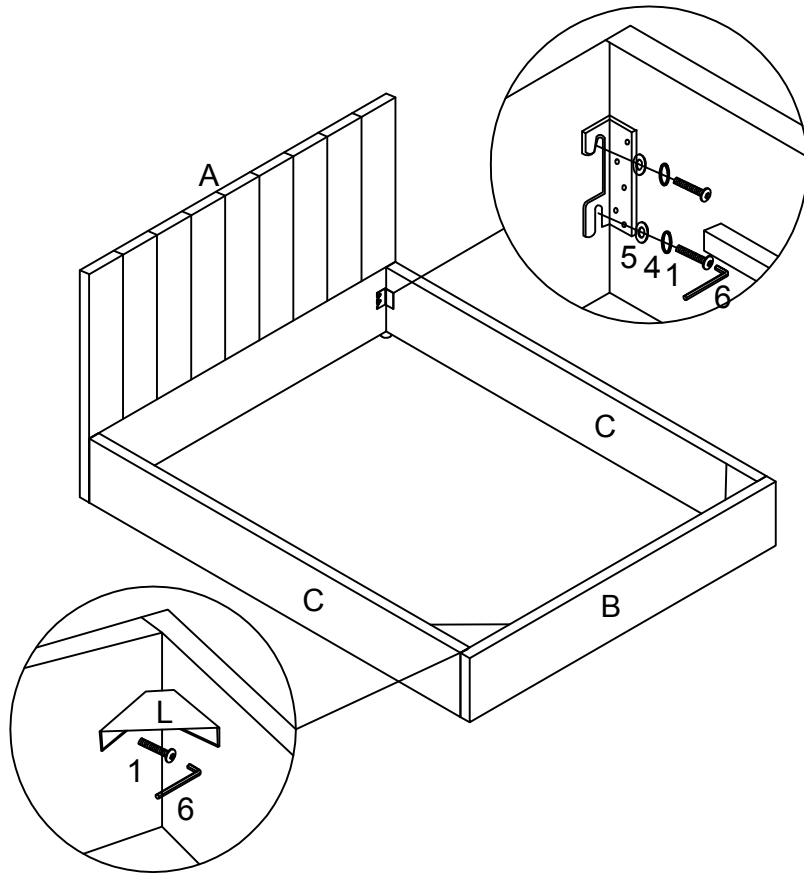
Parts List

<p>A HEAD BOARD 1PC</p> 	<p>B FOOT BOARD 1PC</p> 	<p>C SIDE RAIL 2PCS</p> 	<p>D BEDSTEAD RAIL 2 SETS</p> 
<p>E BEDSTEAD RAIL 2 SETS</p> 	<p>F SLAT 3 0 PCS</p> 	<p>G Single Plastic Cap 3 0 pcs</p> 	<p>H Double Plastic Cap 1 5 pcs</p> 
<p>I LEG 4 PCS</p> 	<p>J 4 PCS</p> 	<p>K Support Leg 2 PCS</p> 	<p>L 2 pcs</p> 
<p>M Non-woven fabrics 1pc</p> 	<p>N 1 PCS</p> 	<p>O Center Support Bar 1pc</p> 	<p>P Digging rope 1PC</p> 

Hardware List

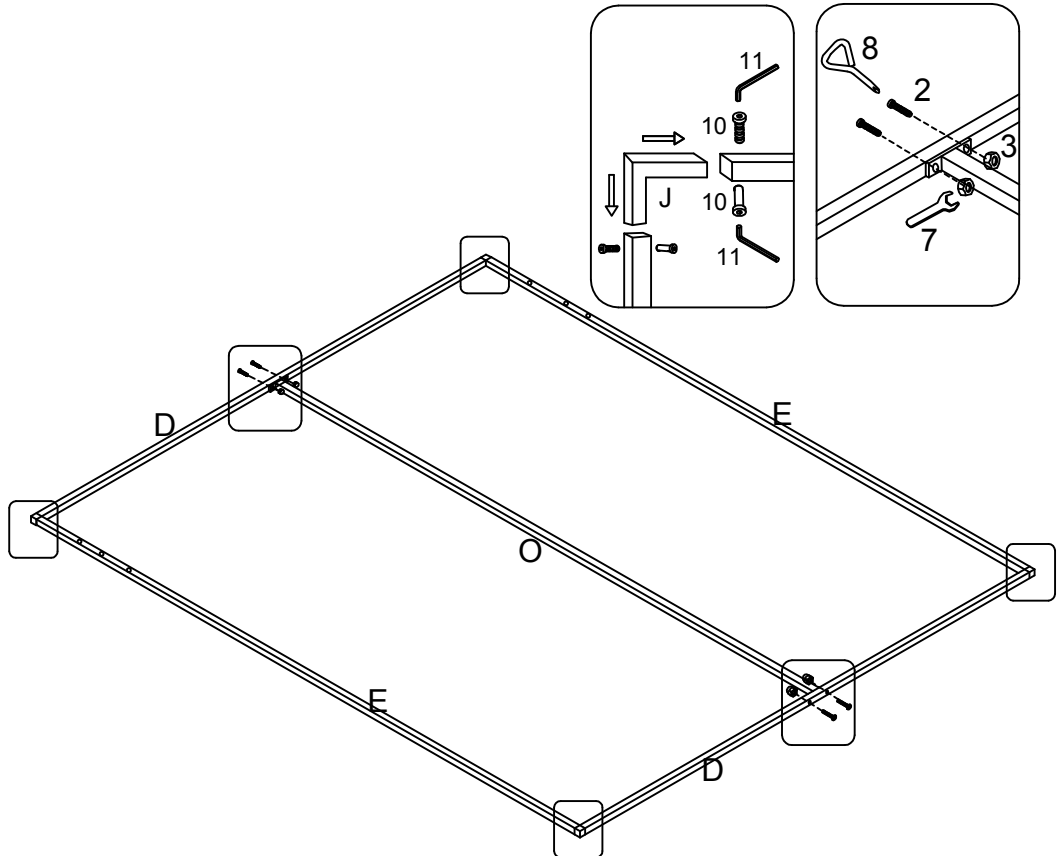
<p>1 M8*30 x16 PCS</p> 	<p>2 M8*40 x 14 PCS</p> 	<p>3 14 pcs</p> 	<p>4 8 pcs</p> 
<p>5 8 pcs</p> 	<p>6 M5 x1 PC</p> 	<p>7 1 pcs</p> 	<p>8 1 pcs</p> 
<p>9 M4*40 x 4 PCS</p> 	<p>10 M6*20 x 8 PCS</p> 	<p>11 M4 x 2 PCS</p> 	

Step1



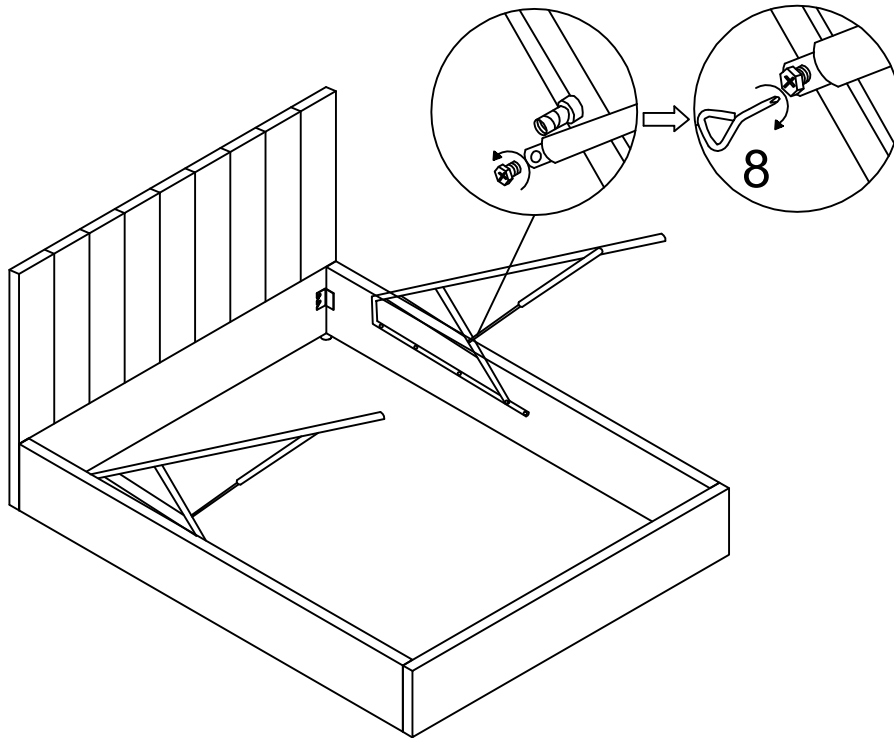
5.x8	
4.x8	
L.x2	
6.x1	
1.x16	

Step2



10.x8	
11.x2	
J.x4	
7.x1	
8.x1	
3.x4	
2.x4	

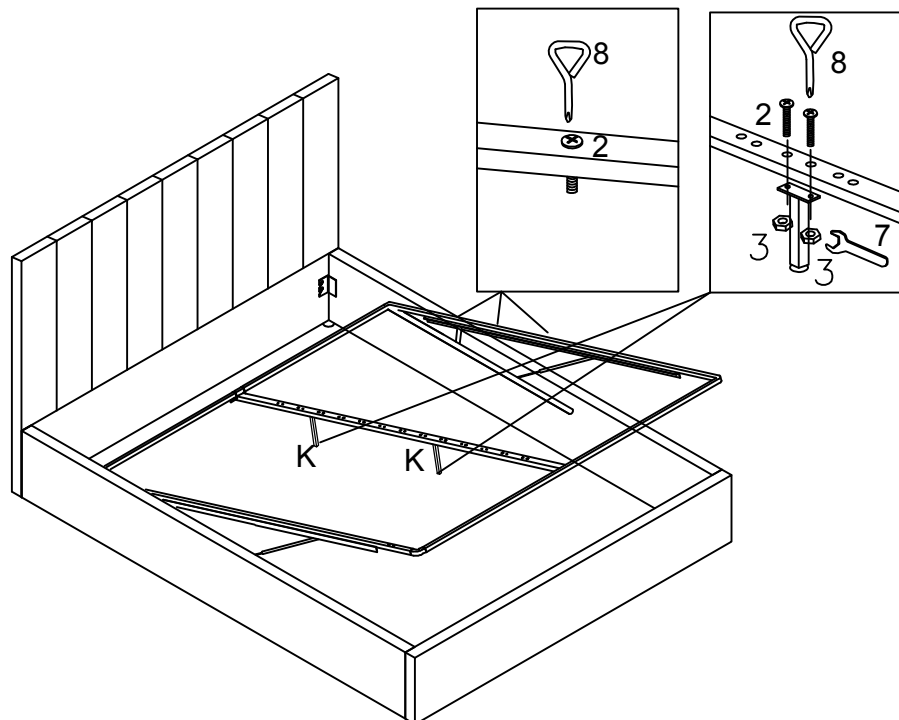
Step3



8.x1



Step4



K.x2



7.x1



8.x1



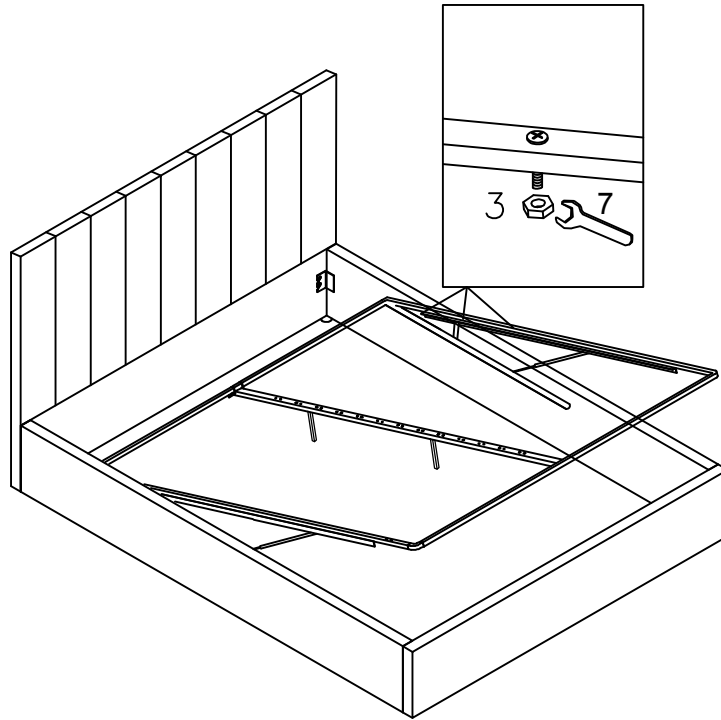
3.x4





2.x10

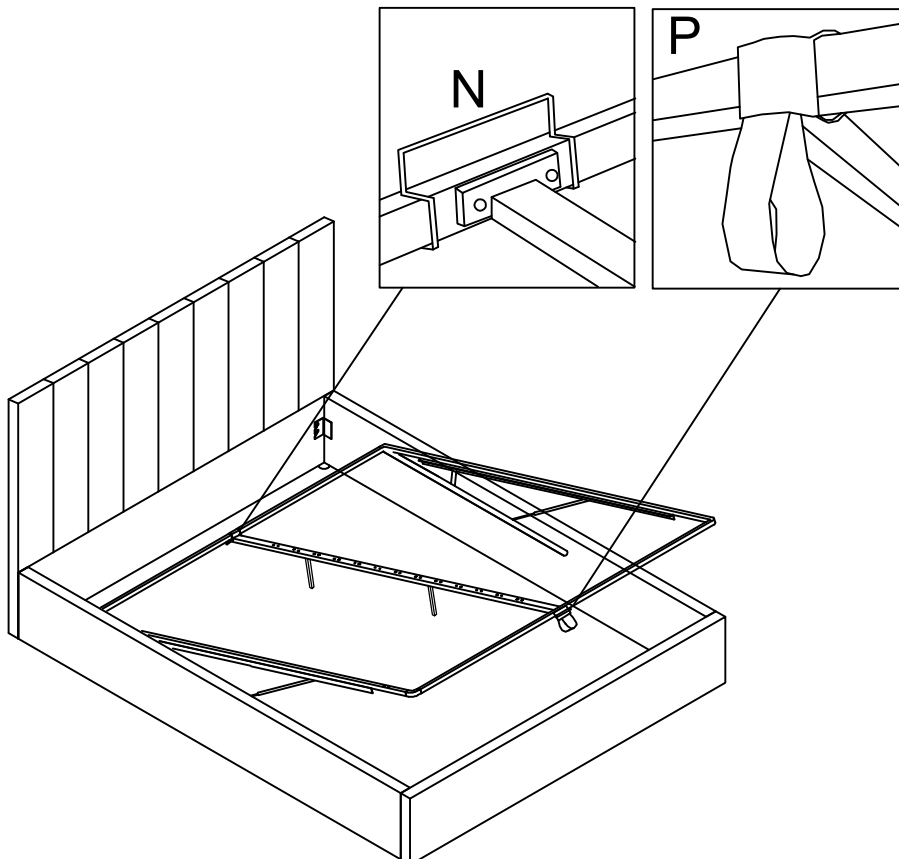




Step5



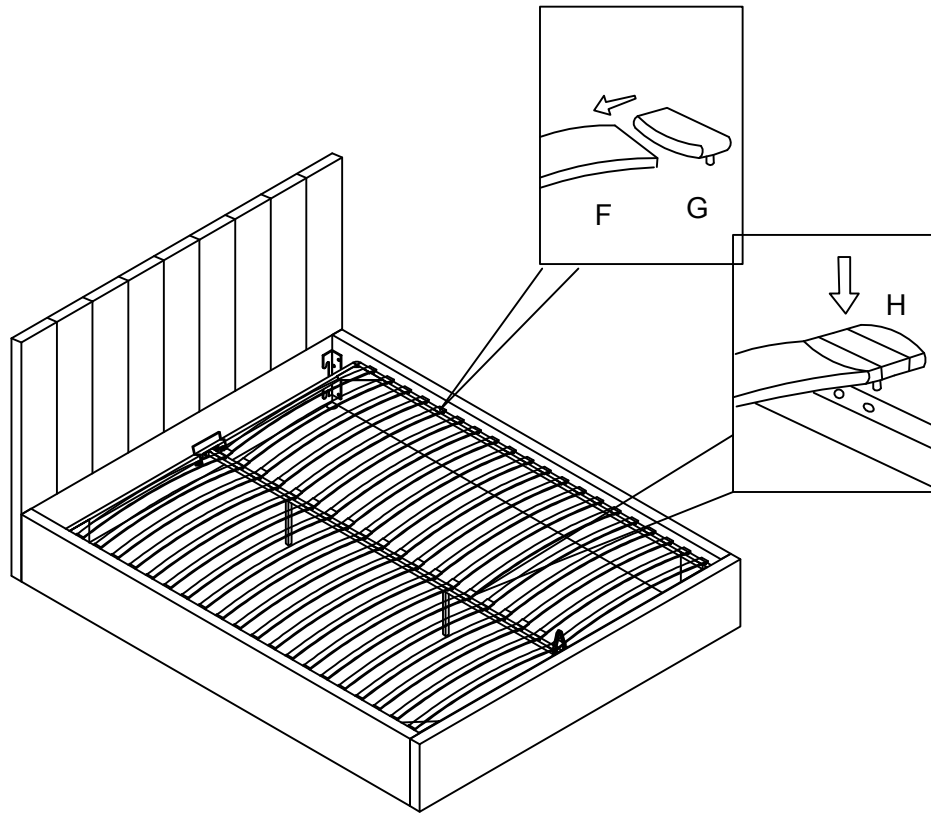
7.x1	
3.x6	

Step6



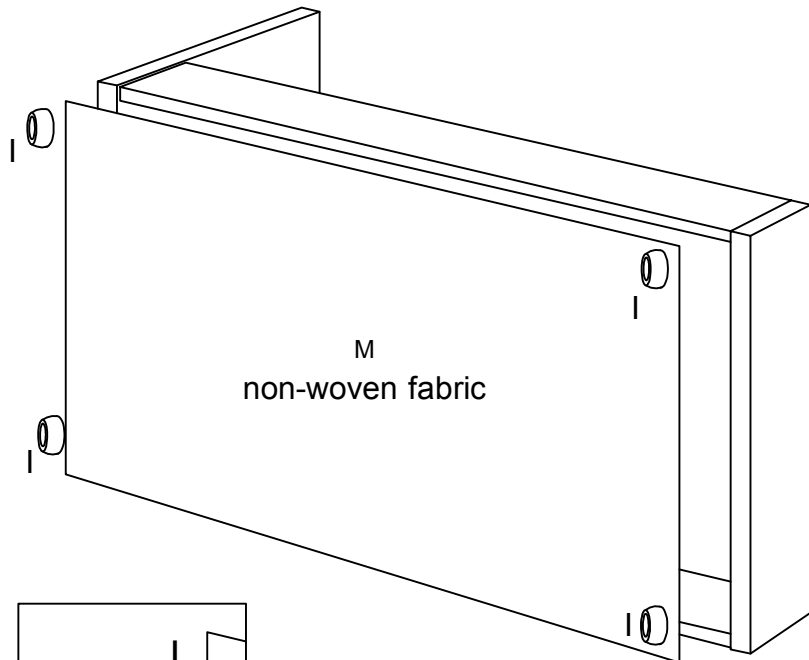
P.x1	
N.x1	

Step7

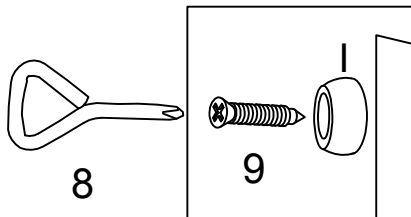


F.x30	
G.x30	
H.x15	

Step8



9.x4	
M.x1	
l.x4	
8.x1	



Stick the non-woven fabric on bottom and then assemble the 4 feet