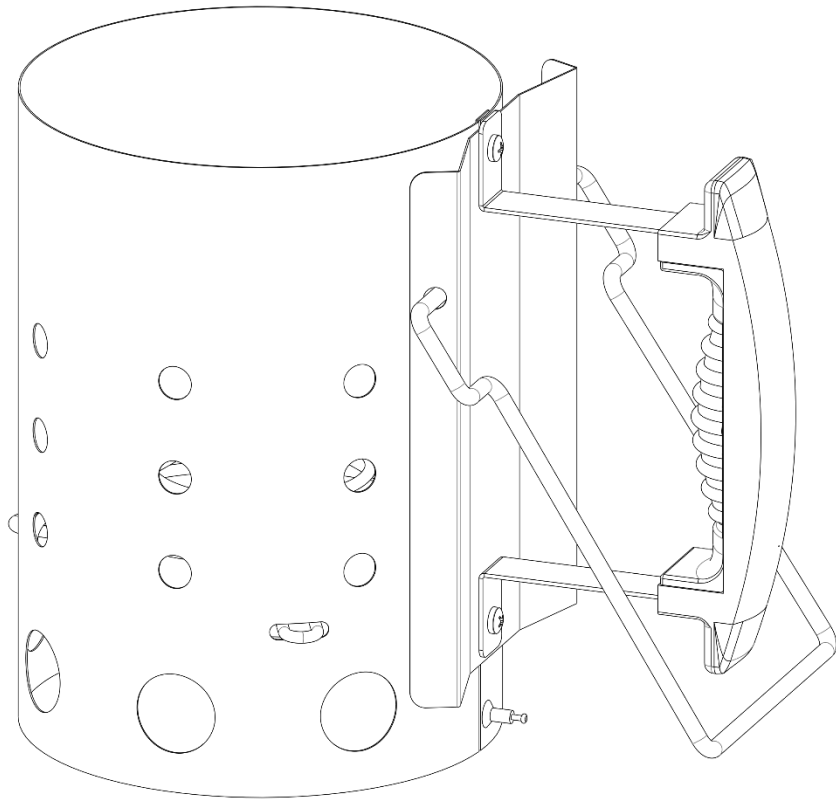


GEORGE FOREMAN®

SMALL CHIMNEY STARTER

GFCMS14



WARNING: CARBON MONOXIDE HAZARD

Burning charcoal indoors can kill you. It gives off carbon monoxide which has no odour. NEVER burn charcoal in enclosed spaces e.g. homes, vehicles or tents.

PLEASE RETAIN INSTRUCTIONS FOR FUTURE REFERENCE

CONTENTS

	Page(s)
Safety Instructions	3-4
Feature Diagram & Parts List	5
Chimney Starter Assembly	6-7
Using Your Chimney Starter	8
Cleaning and Care	9
Guarantee and Customer Services	10
Notes	11

SAFETY INSTRUCTIONS

WARNING: IMPORTANT SAFETY INSTRUCTIONS

READ CAREFULLY AND KEEP FOR FUTURE REFERENCE

- The chimney starter must be placed on a firm, level charcoal grate during use.
- Ensure that the coals placed do not exceed the top edge of the chimney starter, approx. maximum 1 KG.
- The chimney starter must never be left unattended during operation or cleaning.
- Do not use any form of self lighting charcoal.
- **WARNING: This chimney starter will become very hot. Do not move without heatproof gloves/barbeque mitts.**
- **WARNING: Watch for hot sparks when pouring hot coals out of the Starter.**
- **WARNING: Do not use spirit or petrol for lighting or re-lighting! Use only firelighters complying to EN 1860-3!**
- **WARNING: Keep children and pets away. Children must not operate or play near this chimney starter.**
- **WARNING: Do not use the chimney starter in a confined and/or habitable space e.g. houses, tents, caravans, motor homes, boats. Danger of carbon monoxide poisoning fatality.**
- **WARNING: Failure to follow instructions could result in death, serious bodily injury and/or property loss.**



Carbon Monoxide
Poisoning Hazard

Do Not Use
in Motor
Homes

Do Not Use
Indoors

Do Not Use in
Tents

Use in Open
Spaces

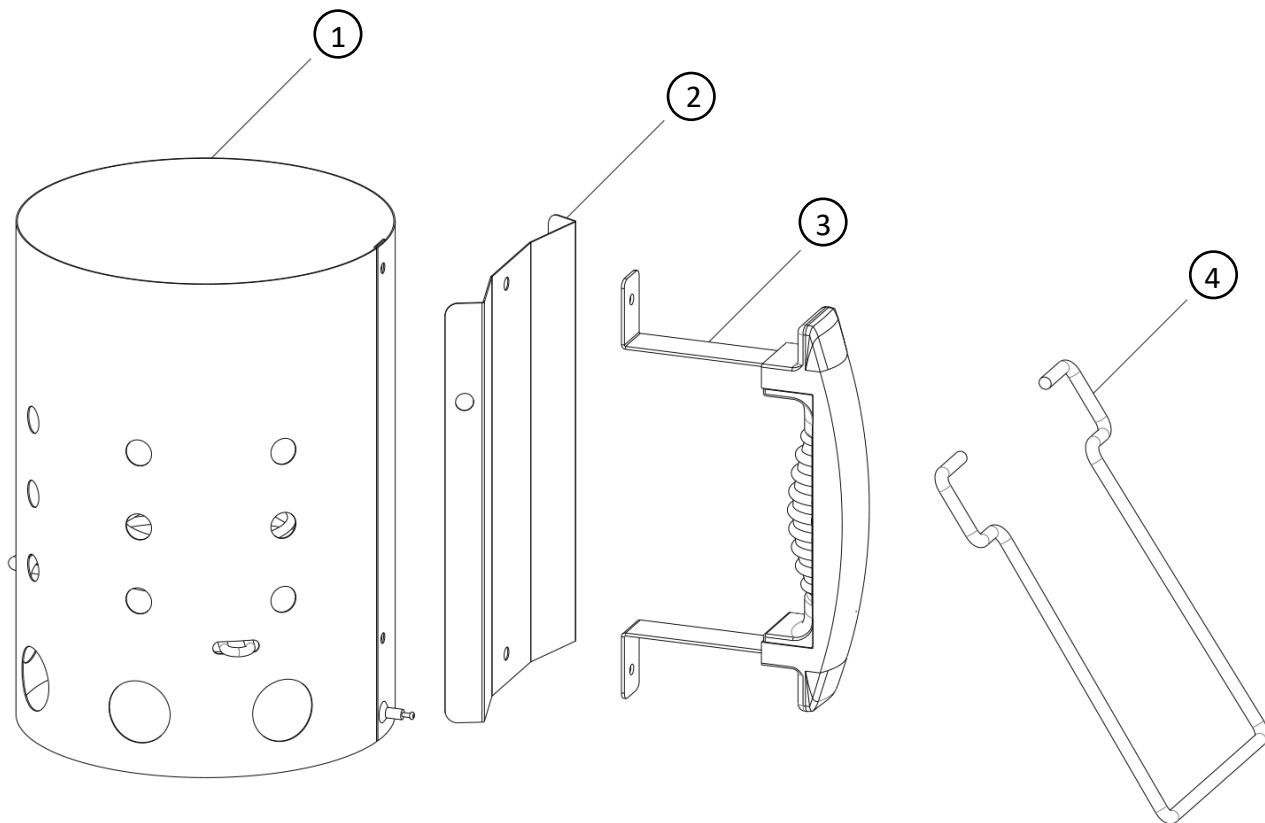
SAFETY INSTRUCTIONS

WARNING: IMPORTANT SAFETY INSTRUCTIONS

READ CAREFULLY AND KEEP FOR FUTURE REFERENCE

- Do not use the chimney starter for cooking or warming food.
- DO NOT wear loose clothing or flowing sleeves, and ensure that long hair is tied back when around the chimney starter when it is hot or in use.
- Make sure that the chimney starter is always placed on a firm, level and fire retardant surface, and also placed far away from combustibles.
- The chimney starter should be located in an open area with good ventilation, away from trees and fences.
- DO NOT use the chimney starter in high wind.
- While every effort has been made in the manufacture of your chimney starter to remove any sharp edges, you should handle all components with care in order to avoid accidental injury.
- Do not overload or use this chimney starter to burn leaves, household waste, or paper.
- Keep a fire extinguisher within a safe and accessible distance and make sure those operating the chimney starter are trained to use it.
- Keep away from flammable material and fluids such as petroleum, alcohol, diesel fuel, kerosene and charcoal lighter fluid or vehicles while in use. Do not use these materials to light or relight.
- Do not store the chimney starter until the fire is completely out and surfaces are cold and ensure the chimney starter is emptied of leftover ashes or combustible materials.
- **WARNING: Do not use the chimney starter unless barbecue is on a firm, level, non-combustible surface.**
- **WARNING: Only use chimney starter to light charcoal briquettes for charcoal barbecues.**
- **WARNING: Do not set the chimney starter on a combustible surface unless the chimney starter is completely cold.**

Your **GEORGE FOREMAN GFCMS14** chimney starter comes fully assembled out of the box.



PART	DESCRIPTION	QTY
1	Fuel chimney	1
2	Heat resistant plate	1
3	Handle	1
4	Pouring handle	1

USING YOUR CHIMNEY STARTER

WARNING! Do not use spirit or petrol for lighting or re-lighting. Use only firelighters complying to EN 1860-3.

1. Ensure your charcoal grid is placed inside your BBQ correctly.
2. Fill your chimney starter with an appropriate amount of charcoals but do not overfill (approx. 1 KG).
3. Place a firelighter in the middle of the charcoal grid and light it. Then using heat proof gloves, place the filled chimney starter on top.
4. After 20 minutes or once the top coals have turned grey in colour, using heat proof gloves, empty the charcoals evenly over the charcoal grid.
5. Using heat proof gloves, place the cooking grids on top of the charcoals.
6. You're now ready to cook on your BBQ!

WARNING: Accessible parts will be hot – make sure to wear heat proof gloves when touching and moving the chimney starter.

WARNING: Do not extinguish with water as this may damage the chimney starter.

CLEANING AND CARE

Removing leftover ash:

- Allow the chimney starter and leftover ash to become completely cold before emptying.
- Safely dispose of the cold ash in a fire proof container, or dampen with water to ensure the ash is entirely cold before disposing in a suitable container.

Care and Maintenance:

- Empty the leftover ash from the chimney and clean after each use.
- The chimney starter can be cleaned using a dishcloth, warm water, and a commercial detergent.
- Avoid using abrasive cleaners, wire wool, and brushes as these may scratch the surface.
- When not in use this chimney starter should be stored in a dry location or under a waterproof cover.

GUARANTEE AND CUSTOMER SERVICES

This product is guaranteed for **12 months** from the date of the original purchase. If any defect arises due to faulty materials or workmanship, the faulty product must be returned to the place of purchase. Refund or replacement is at the discretion of the retailer.

The following conditions apply:

- The product must be returned to the retailer with the original proof of purchase.
- The product must be installed and used in accordance with the instructions contained in this instruction guide and any other instructions for use which are supplied.
- It must be used for domestic purposes only and for its intended use.
- This warranty does not cover wear and tear, damage, misuse or consumable parts.

This does not affect your statutory rights.

Customer Services & Spare Parts:

Region	Contact
UK & Northern Ireland	0345 209 7461
Ireland	1 800 938982
Rest of Europe	europa@productcaregroup.com

NOTES

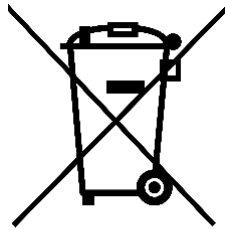
NOTES

NOTES

GEORGE FOREMAN®

SMALL CHIMNEY STARTER

GFCMS14



Made by . Product Care Trading Ltd, Unit 1,
Green Bank Business Park, Swan Lane,
Hindley Green, Wigan, WN2 4AY, United
Kingdom / Product Care (Ireland) Ltd, Unit 3D
North Point House, North Point Business Park,
New Mallow Road, Cork, T23 AT2P, Ireland.

George Foreman is the registered trademark
of Spectrum Brands (U.K.) Ltd.

Revision 1.4