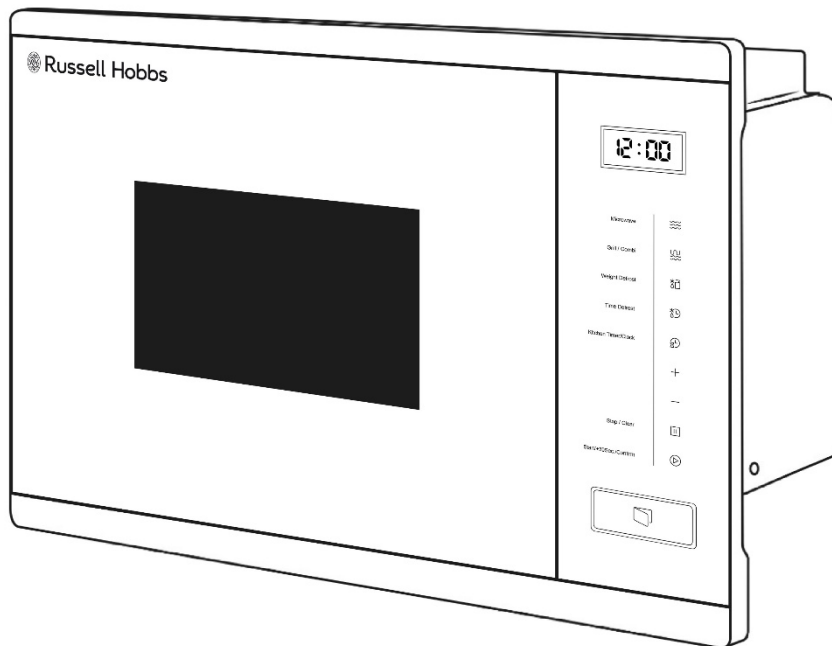




Russell Hobbs

Compact Built in Digital Microwave User Guide



**Model Number:
RHBM2002 (B) (SS) (DS)**

For Customer Services & Spare Parts please call **0345 209 7461**
Or visit us at mda.russellhobbs.com

PLEASE RETAIN
FOR FUTURE REFERENCE

CONTENTS

	Page(s)
SAFETY INSTRUCTIONS	3-9
ABOUT YOUR MICROWAVE	10-11
PRODUCT INFORMATION	12
UNPACKING THE MICROWAVE	13
PRODUCT OVERVIEW	14
MICROWAVE OVEN INSTALLATION	15-22
TURNTABLE INSTALLATION	23-24
CONTROL PANEL	25
HOW TO USE THE MICROWAVE	26-33
COOKING TIPS	34
CLEANING THE MICROWAVE	35
PROBLEM SOLVING	36-39
GUARANTEE & CUSTOMER SERVICES	40
SPARE PARTS	41
CONNECTION TO THE MAINS SUPPLY	42-43
DISPOSAL	44

SAFETY INSTRUCTIONS

IMPORTANT SAFETY INSTRUCTIONS **READ CAREFULLY AND KEEP FOR FUTURE REFERENCE**

WARNING:

- This appliance is intended to be used in the household and general domestic applications. It is not intended to be used in industrial or commercial applications.
- This appliance can be used by children aged from 8 years and above and persons with reduced physical, sensory or mental capabilities or lack of experience and knowledge if they have been given supervision or instruction concerning use of the appliance in a safe way and understand the hazards involved. Children shall not play with the appliance. Cleaning and user maintenance shall not be made by children without supervision.
- If the door or door seals are damaged, the microwave must not be operated until it has been repaired by a competent person.
- It is hazardous for anyone other than a competent person to carry out any service or repair operation that involves the removal of a cover which gives protection against exposure to microwave energy.
- Liquids and other foods must not be heated in sealed containers since they are liable to explode.

SAFETY INSTRUCTIONS

READ CAREFULLY AND KEEP FOR FUTURE REFERENCE

WARNING:

- Use only cookware and utensils that are approved for use in a microwave oven.
- When heating food in plastic or paper containers, keep an eye on the oven due to the possibility of ignition.
- This microwave is intended for heating food and beverages only. The drying of food or clothing and heating of warming pads, wheat bags, slippers, sponges, damp cloth and similar is extremely dangerous and may lead to risk of injury, ignition or fire.
- If materials inside the oven smoke or catch fire, keep the oven door closed to stifle the flames, turn the oven off at the wall switch, or shut the power off at the fuse or circuit-breaker panel. If smoke is emitted, switch off or unplug the appliance and keep the door closed in order to stifle any flames.
- Microwave heating of beverages can result in delayed eruptive boiling, therefore care must be taken when handling the container.

SAFETY INSTRUCTIONS

READ CAREFULLY AND KEEP FOR FUTURE REFERENCE

WARNING:

- The contents of feeding bottles and baby food jars shall be stirred or shaken and the temperature checked before consumption, in order to avoid burns. Do not heat baby bottles with the teat left on. Remove it if replacing the bottle back into the oven.
- Eggs in their shell and whole hard-boiled eggs should not be heated in microwave ovens since they may explode, even after microwave heating has ended.
- The oven should be cleaned regularly and any food deposits removed.
- Failure to maintain the oven in a clean condition, especially if liquid is left under the turntable, could lead to deterioration of the surface that will adversely affect the life of the appliance that may result in a hazardous condition.
- If the supply cord is damaged, it must be replaced by the manufacturer, its service agent or similarly qualified persons in order to avoid a hazard.

SAFETY INSTRUCTIONS

READ CAREFULLY AND KEEP FOR FUTURE REFERENCE

WARNING:

- To avoid fire, electric shock, or injury, never immerse the microwave, cord, or plug in water or liquid.
- Do not use attachments not recommended by the manufacturer. Only use thermometers approved for use in microwaves.
- The appliance and its accessible parts may become hot during use. Care should be taken to avoid touching heating elements.
- Do not leave the microwave oven unattended while you are using it.
- Do not use the microwave when it is empty. This could damage the oven.
- Do not use metal pans, dishes with metal handles or anything with a metal trim inside the microwave. Do not use paper covered wire twist-ties on plastic bags.
- Never put objects into the openings on the outer case.
- Food containing a mixture of fat and water (for example, stock) should stand for 30 to 60 seconds in the oven after it has been turned off. This is to allow the mixture to settle and to prevent it from bubbling when a spoon is placed in it, or a stock cube is added.

SAFETY INSTRUCTIONS

READ CAREFULLY AND KEEP FOR FUTURE REFERENCE

WARNING:

- When heating or cooking food or liquid, remember that there are certain foods (such as, jam, Christmas pudding, and mincemeat) which heat up very quickly.
- Do not cook any food surrounded by a membrane, such as egg yolks, potatoes, chicken livers, sausages, ready meals and so on without piercing them several times with a fork.
- Do not try to deep-fry foods in this microwave oven.
- Do not overcook food.
- Please remember that as food or liquids heat up, they will release steam or may be spitting. Never cover any container fully, always leave a gap for steam to escape.
- Do not use plastic containers when heating or cooking foods that contain a lot of fat or sugar.
- Always have the glass tray and turntable support in place when using the microwave oven.
- Do not cook food directly on the glass tray. Put food on a suitable plate or in a bowl before putting it in the oven.

SAFETY INSTRUCTIONS

READ CAREFULLY AND KEEP FOR FUTURE REFERENCE

WARNING:

- When using the grill rack, be aware that these will become HOT during cooking as they aren't heatproof. Please use suitable oven gloves when removing these.
- Do not use melamine dishes as they contain a material which will absorb microwave energy. This may cause the dishes to crack or burn, and will slow down the cooking speed.
- Do not use the microwave oven for heating utensils, plates or dishes.
- Do not cook using a container with a restricted opening, such as bottles, as they may explode.
- Before you clean your microwave oven, turn it off and unplug it.
- Keep the inside of the oven clean. When food or liquids stick to the oven walls, wipe with a damp cloth. We recommend that you do not use harsh detergent or abrasives.

SAFETY INSTRUCTIONS

READ CAREFULLY AND KEEP FOR FUTURE REFERENCE

WARNING:

- On the right hand wall of the cavity is the wave guide cover, microwaves are passed through this to enable your food to cook. **It is important that this wave guide cover is kept clean at all times.** To do this wipe with mild detergent and water, then dry.
- You should clean the outside of the oven with a damp cloth. Do not allow water to seep into the ventilation openings.
- Do not use harsh abrasive cleaners or sharp metal scrapers to clean the oven door glass since they can scratch the surface, which may result in shattering of the glass.
- If steam builds up inside or around the outside of the oven door, wipe with a soft cloth. This may happen when the microwave oven is used in humid conditions.
- Regularly remove the glass turntable to clean it, wash it in warm soapy water or a dishwasher. Regularly clean the turntable support and oven floor. Simply wipe the bottom surface of the oven with mild detergent and water, then dry. You can wash the turntable support in mild soapy water.

ABOUT YOUR MICROWAVE

Thank you for purchasing your Russell Hobbs microwave oven.

The Russell Hobbs RHBM2002 microwave has a sleek and stylish contemporary design as well as an appealing look, this appliance also boasts impressive functionality, with 800 watts of microwave power providing quick and convenient cooking in your home.

The RHBM2002 comfortably fits a standard size dinner plate – up to 10.5” diameter. It comes with a removable and dishwasher safe glass turntable for easy cleaning.

Pre-programmed auto cook menus, such as reheat, fish, and popcorn, allow you to cook all your favourite foods at the push of a button. What’s more, there’s automatic defrost settings meaning all you have to do is input the weight of the food, and the microwave selects the ideal defrost time, saving you time and effort. 5 microwave power levels enable tailoring of your cooking experience.

Additional features include a handy digital clock and timer function, and for added peace of mind, the RHBM2002 features a child safety lock option.

ABOUT YOUR MICROWAVE

How do microwaves work?

Microwaves are high-frequency electromagnetic waves similar to radio waves. While radio waves may vary in length from one metre to many kilometres, microwaves are very short (less than 12.5 centimetres.)

Microwaves do not make any heat themselves but cause water molecules in food to vibrate.

This vibration produces heat that cooks the food. This is why your food will come out of the microwave piping hot, when your utensils inside the oven stay much cooler. The microwaves do not stay in the air or in the food when you open the microwave oven door.

The microwave oven will work using an ordinary household electrical socket. Inside the microwave oven is the magnetron, which turns the electrical energy into microwaves.

Microwaves cannot travel through metal, so the inside of the oven is lined with metal. The door is lined with a fine metal mesh which stops microwaves getting through. This means that when the microwave oven door is shut, there is no possibility that microwaves can be released.

PRODUCT INFORMATION

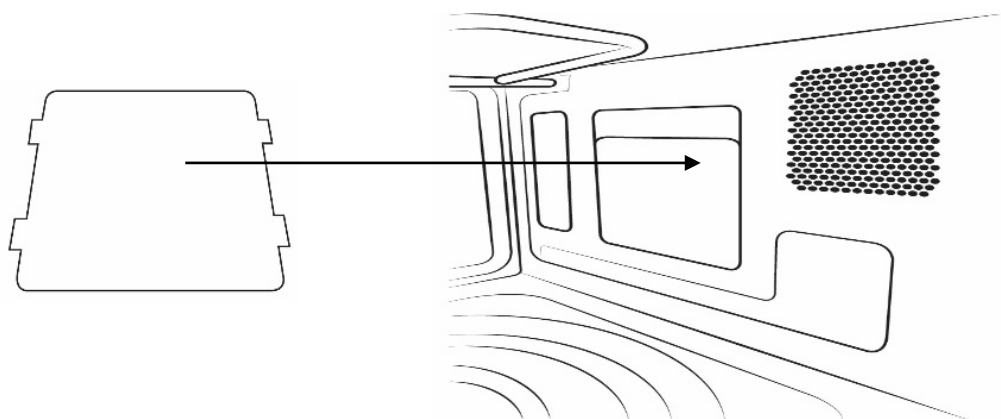
Rated Voltage	230 V~/50Hz
Rated Input Power (Microwave)	1270W
Rated Input Power (Grill)	1000W
Oven Capacity	20L*

*Internal volume is calculated by measuring maximum width, depth and height. Actual capacity for holding food is less.

UNPACKING THE MICROWAVE

Before you use your microwave oven

1. Remove all the packaging. **Do not** remove the small piece of mica from the right hand side of the cavity wall. This is called a wave guide cover and allows the microwaves to pass through to cook the food.



Please ensure you keep this cover clean at all times by wiping with a damp cloth. Do not remove/place in a dishwasher.

2. Check the oven after unpacking for any visual damage such as:

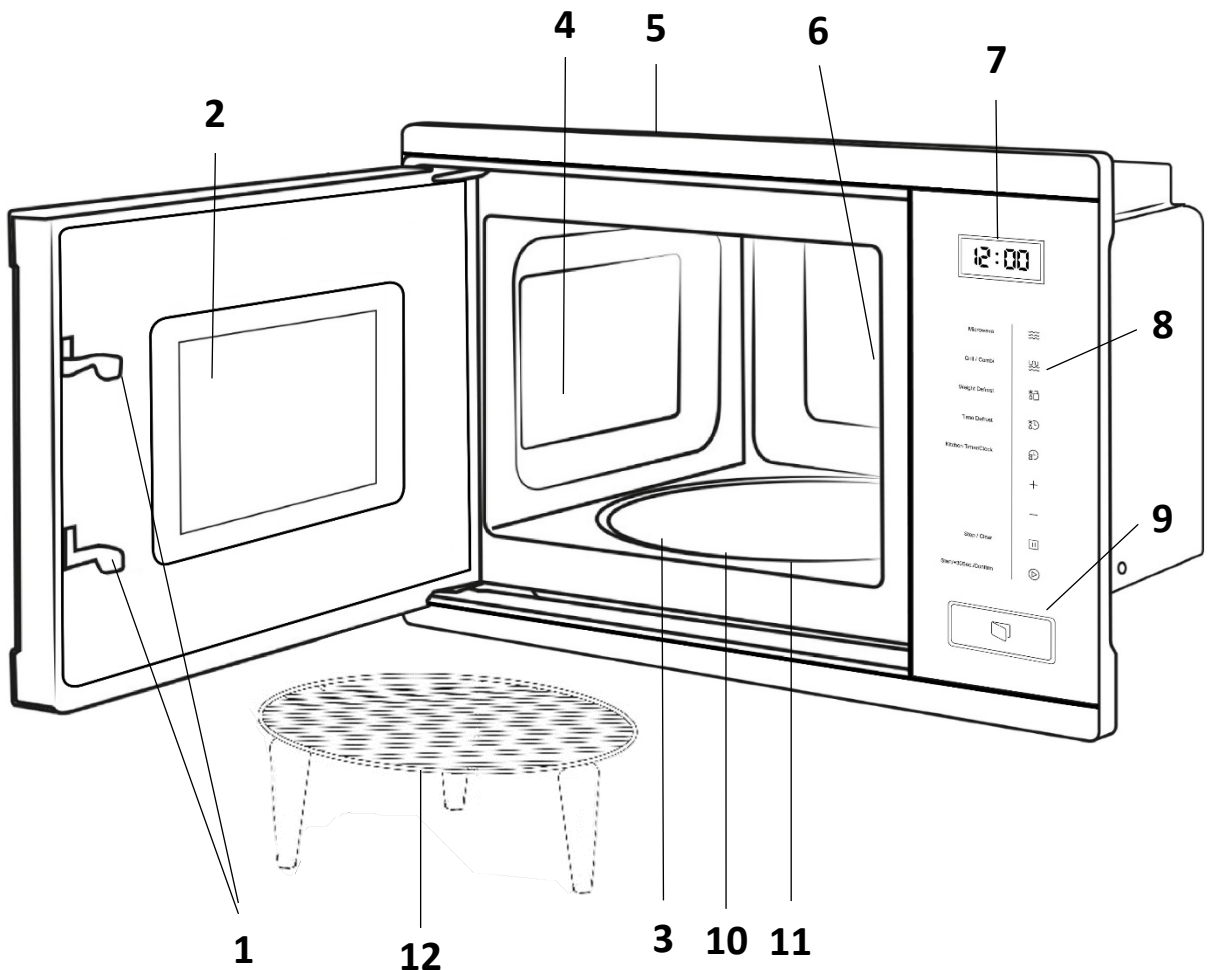
- A misaligned door
- Damage to the door
- Dents or holes in the door window and screen
- Dents in the inside

If you can see any damage **do not use the oven, please contact Customer Service at mda.russellhobbs.com or call 0345 209 7461.**

This microwave oven weighs approximately 16.5Kg so you must put it on a horizontal surface that is strong enough to support this weight.

The oven must be placed away from high temperatures and steam. Do not put anything on the top of the microwave oven.

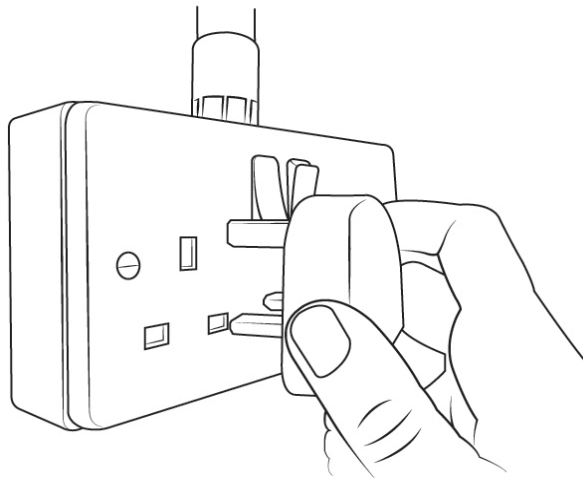
PRODUCT OVERVIEW



- | | |
|-------------------------------------|------------------------|
| 1. Safety interlock latches | 7. Screen display |
| 2. Door assembly and window | 8. Control panel |
| 3. Glass turntable | 9. Door open button |
| 4. Oven cavity | 10. Turntable coupling |
| 5. Microwave top | 11. Turntable ring |
| 6. Wave guide cover (do not remove) | 12. Grill rack |

MICROWAVE OVEN INSTALLATION

- Place the oven as far away from radios and televisions as possible. Using the oven may cause interference with the reception.
- Plug the oven into a suitable 13 amp mains socket, make sure the voltage is the same as on the rating label (do not use extension cables or mains socket adaptors.)



- The built-in cabinet should not have a rear wall behind the appliance. Minimum installation height is 85cm.
- Measure the opening for the microwave and remove all loose items, like the turntable, from the microwave
- Do not cover ventilation slots and air intake points.

MICROWAVE OVEN INSTALLATION

Important note:

This appliance must be correctly installed by a suitably qualified person, strictly in accordance with the manufacturer's instructions

Important note:

The manufacturer declines any responsibility for injury or damage, to a person or property, as a result of improper use of installation of this appliance.

Important note:

Heat, steam and moisture will be created during use of the appliance, take care to avoid injury and ensure that the room is adequately ventilated. If the appliance is going to be used for a prolonged period of time, then additional ventilation may be required.

Important note:

Please consult with a qualified installer if you are in any doubt about the ventilation that you will require.

MICROWAVE OVEN INSTALLATION

Product dimensions (including frame kit)

Height: 386mm

Width: 594mm

Depth: 317mm

Aperture dimensions

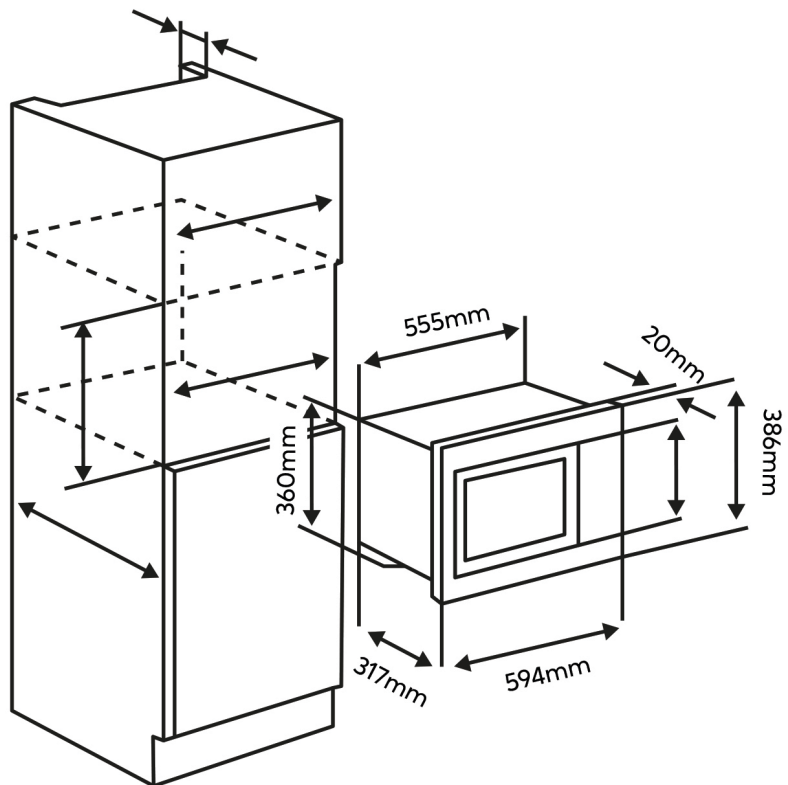
Height: 361mm

Width: 562mm

Depth: 302mm



Do not obstruct
the ventilation
from the microwave



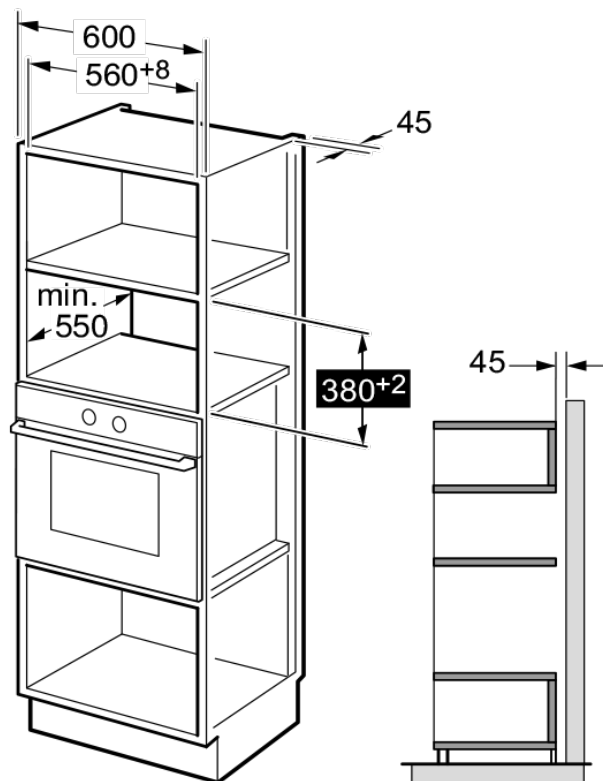
Important note:

This appliance must be correctly installed by a suitably qualified person, strictly in accordance with the manufacturer's instructions.

MICROWAVE OVEN INSTALLATION

Aperture and ventilation requirements

- The diagram below shows the aperture and ventilation requirements that you require to build the appliance into a housing unit.
- Ensure that the rear panel of the furniture housing unit has been removed.
- This oven may be installed without any additional ventilation cut outs being made in the housing unit. However, the ventilation cut shown in the diagram **MUST** be present, otherwise the microwave oven may not function correctly.
- Do not cover the ventilation slots or air intake points.



All measurements are in millimetres (mm)

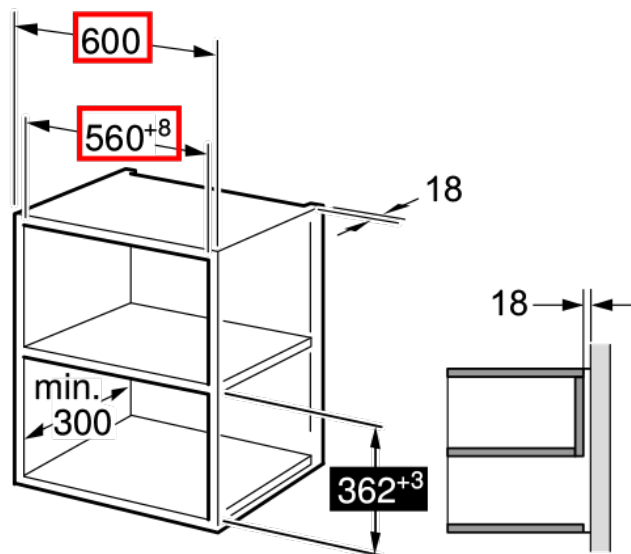
MICROWAVE OVEN INSTALLATION

Built in requirements

Important: No other methods of building under the microwave are sanctioned by the manufacturer

- The rear wall of the housing unit **MUST** be removed to allow there to be the correct amount of ventilation
- The ventilation gaps below the support shelf and below the worktop must be adhered to.
- An induction hob **MUST NOT** be fitted above the microwave.
- It is not necessary to have a storage drawer fitted underneath the microwave: this is shown purely as an example in the drawing above.

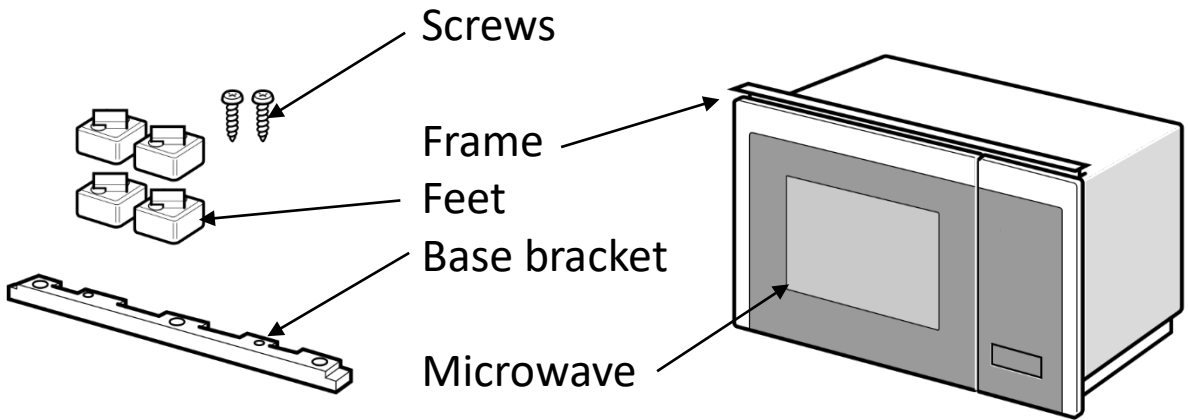
Warning: the microwave will get hot during operation; care should be taken not to accidentally come into contact with the outer surface.



All measurements are in millimetres (mm)

MICROWAVE OVEN INSTALLATION

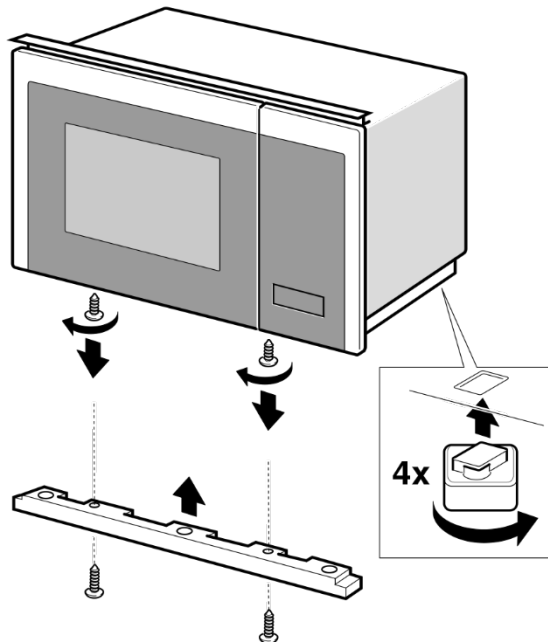
Installation components



Step 1

Before placing in the housing unit, use a screwdriver to take the 2 SCREWS already attached to the front of the base of the microwave, and remove them. Then attach the BASE BRACKET using those 2 screws as shown below.

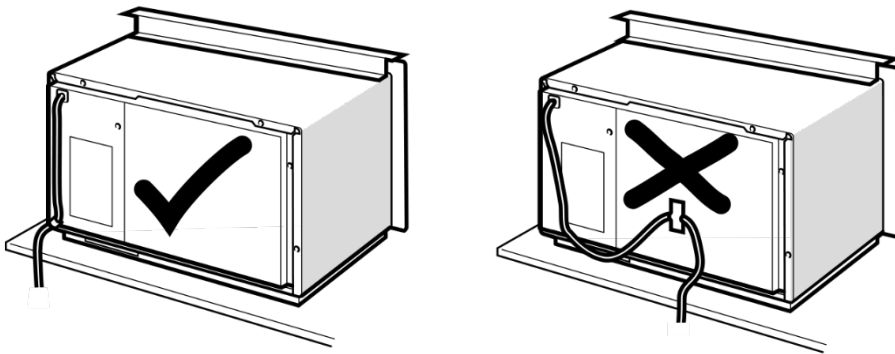
Twist in the FEET into the 4 compartments on the base of the unit, also shown in the diagram below.



MICROWAVE OVEN INSTALLATION

Step 2

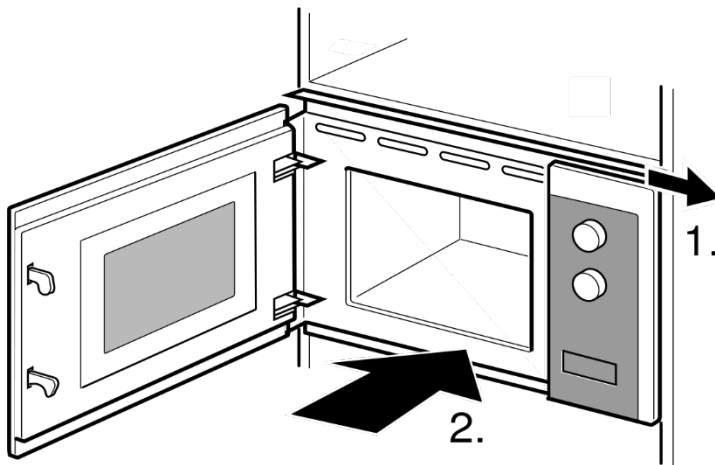
Ensure that the power cord is not secured onto the centre of the back of the unit; the back of the unit should look like the image below on the left.



Step 3

Place the microwave fully into the housing unit, ensuring that the frame at the top of the unit aligns correctly with the shelves above, as shown in the image below.

Important: Do not trap or kink the power cord and make sure that the unit is installed in the centre of the cabinet.

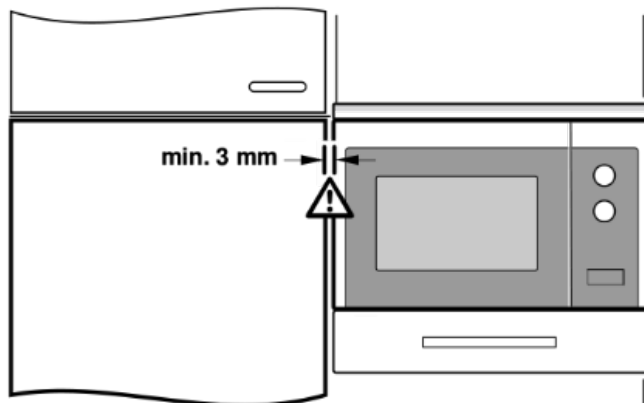
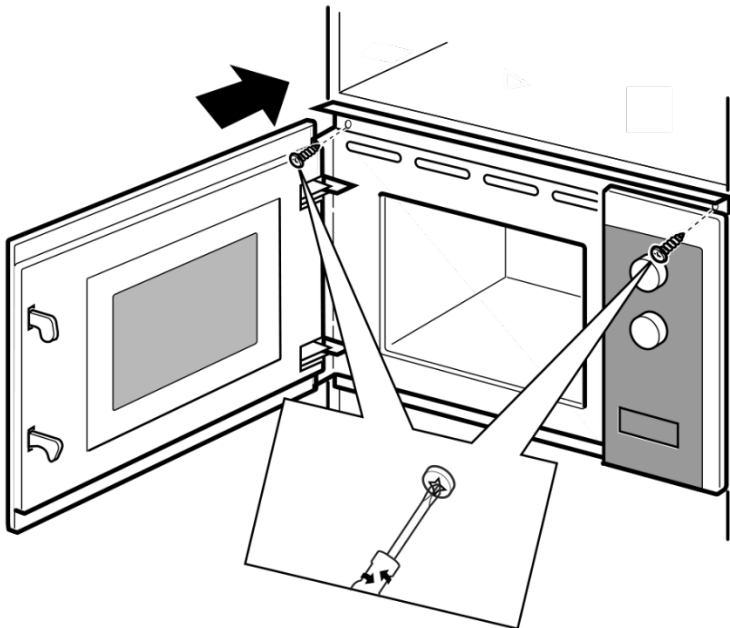


MICROWAVE OVEN INSTALLATION

Step 4

Open the microwave door; then using the 2 other SCREWS provided, use a screwdriver to secure the appliance to the housing unit as shown in the image below.

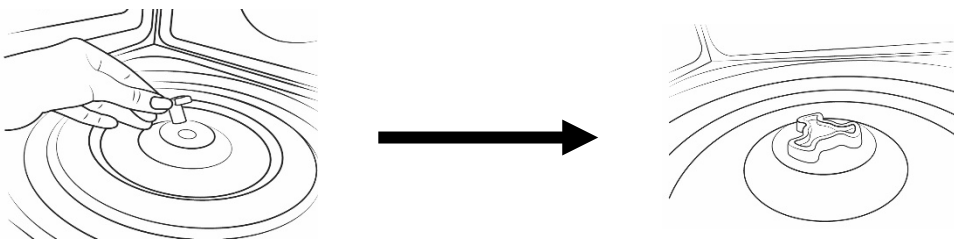
Important: Ensure that there is a minimum 3mm gap between the side of the appliance and any other units or appliances once installed.



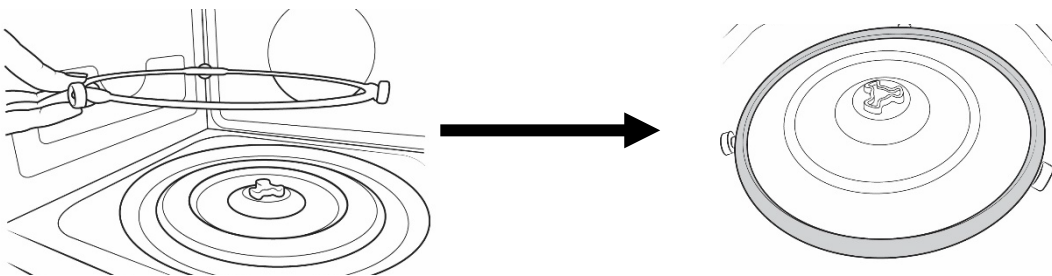
TURNTABLE INSTALLATION

- Before first use, check that any securing tape and all packaging has been removed from the glass tray and turntable ring assembly.
- **These parts must never be restricted from rotating.**
- Never place the glass tray upside down.
- To assemble the turntable, follow the steps below in number order.

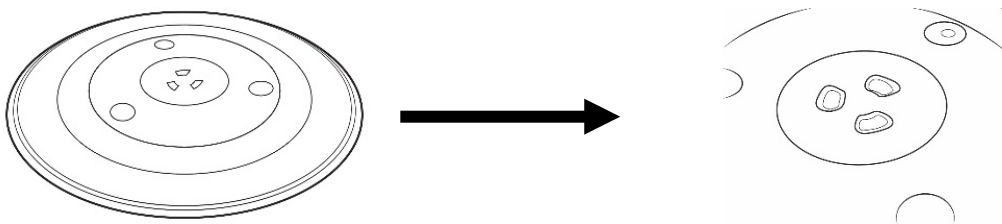
STEP 1) The turntable coupling should slot into the centre of microwave



STEP 2) The turntable ring slots into the indents in the microwave base

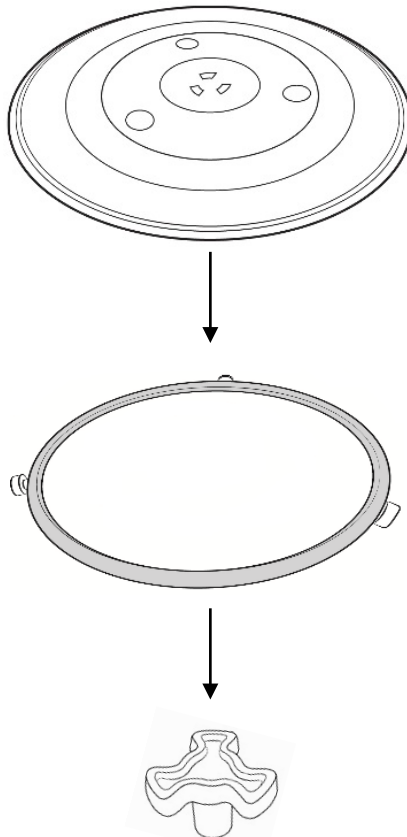


STEP 3) The glass tray should align with the turntable coupling



TURNTABLE INSTALLATION

The glass tray, turntable ring, and turntable coupling assembly must always be used during cooking (as shown below).

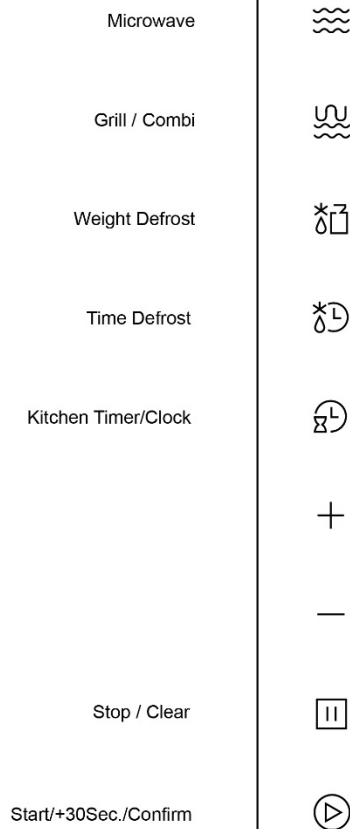
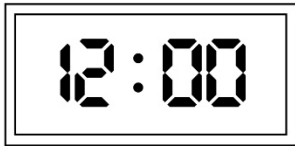


- Do not place the food directly onto the glass tray, always place on or in suitable microwaveable cookware.

Please check that crockery is microwave safe before using.

- If the glass tray or turntable ring assembly has been damaged in any way, contact the Customer Service Team on **0345 209 7461**.

CONTROL PANEL



SCREEN DISPLAY

Cooking time, power, action indicators, and clock time are displayed

MICROWAVE Press this button to use the microwave function

GRILL/COMBI Press this button to use the grill/combi function

WEIGHT DEFROST Press this button to select weight for defrosting

TIME DEFROST Press this button to select time for defrosting

KITCHEN TIMER/CLOCK Press this button to set the clock and set the timer

+/- Adjust weight, time, power, and cooking menu using this button

STOP/CLEAR Press to stop the cooking process or clear the programme

START/+30 SEC/CONFIRM Press this button to start the cooking process or add 30 seconds to the cooking time or confirm the programme choice

HOW TO USE THE MICROWAVE

Setting the clock (24 hour)

For example, if you want to set the time to 08:30 (am:)

1. Press the **'KITCHEN TIMER/CLOCK'** button twice to choose hours for alteration. The hour figures will flash.
2. Press the **'-'** or **'+'** buttons to adjust the hour figures. The figures will be between 0 and 23.
3. Press the **'KITCHEN TIMER/CLOCK'** button once to confirm the hour figures. The minute figures will now flash.
4. Press the **'-'** or **'+'** buttons to adjust the minute figures. The figures will be between 0 - 59 (60-minutes).
5. Press the **'KITCHEN TIMER/CLOCK'** to complete the clock setting. The **':'** will then flash.

Note:

If the clock is not set, the clock will not function when powered.

During the process of clock setting, if you press **'STOP/CLEAR'** button, the microwave will go back to the previous status.

Microwave cooking

Once you have correctly installed the unit, turned on the power and set the clock, you are ready to start cooking.

Your microwave has 5 power levels, the lowest at 10%, then 30%, 50%, 80%, up to 100% (or full power.)

Most recipes are cooked on full power – this should be indicated on the packaging of microwavable food.

1. To select a power level, press the **'MICROWAVE'** button.
 - When pressed once the screen display will show **'P100'** (100% power)
 - When pressed twice the screen display will show **'P80'** (80% power)

HOW TO USE THE MICROWAVE

- When pressed three times the screen display will show **'P50'** (50% power)
- When pressed four times the screen display will show **'P30'** (30% power)
- When pressed five times the screen display will show **'P10'** (10% power)

OR

Press the '-' or '+' buttons to adjust the microwave power. **'P100'**, **'P80'**, **'P50'**, **'P30'**, **'P10'** will display in order.

2. Then press the **'START/+30 SEC/CONFIRM'** button to confirm the setting.
3. Once you have selected your microwave power you can use the '-' or '+' buttons to adjust the desired cooking time.
4. Then press the **'START/+30 SEC/CONFIRM'** button to start cooking.

The maximum cooking time is 95 minutes. Do not operate the oven empty, this can cause irreparable damage.

Grill or combination cooking

Your microwave also has a total of 3 grill and combination cooking functions.

These are as follows: **'G'** (0% microwave power, 100% grill power), **'C-1'** (55% microwave power, 45% grill power), and **'C-2'** (36% microwave power, 64% grill power).

1. To select a grill/combi function press the **'GRILL/COMBI'** button:
 - When pressed once the screen display will show **'G'** (100% grill power)
 - When pressed twice the screen display will show **'C-1'** (55% microwave power, 45% grill power)
 - When pressed three times the screen display will show **'C-2'** (36% microwave power, 64% grill power)

HOW TO USE THE MICROWAVE

OR

Press the '-' or '+' buttons to adjust the microwave power. 'G', 'C-1', 'C-2' will display in order.

2. Then press the '**START/+30 SEC/CONFIRM**' button to confirm the setting.
3. Once you have selected your cooking programme you can use the '-' or '+' buttons to adjust the desired cooking time.
4. Then press the '**START/+30 SEC/CONFIRM**' button to start cooking.

The maximum cooking time is 95 minutes. Do not operate the oven empty, this can cause irreparable damage.

Note: Half way through your selected grill time your microwave will sound twice. This is to alert you to turn your food over to have even grilling of your food. Once turned, close the door and press the '**START/+30 SEC/CONFIRM**' button to continue cooking. If this is not completed, the microwave will just continue working.

Defrost function

Ensure food is thoroughly defrosted before starting the cooking process. The microwave generally penetrates 4cm into most foods.

For even defrosting results, ensure you turn the food over during the cycle.

Defrosting generally takes longer than the cooking time of food.

Defrosted food should be consumed as soon as possible, do not put it back in the fridge or freeze again.

HOW TO USE THE MICROWAVE

There are 2 defrosting methods:

Defrosting by Weight

1. Press the **'WEIGHT DEFROST'** button once, the oven will display "dEF1".
2. Press the **'-'** or **'+'** buttons to select the weight of the food in grams. The weight should be set between 100-2000g.
3. Press the **'START/+30 SEC/CONFIRM'** button to start defrosting.

Defrosting by Time

1. Press the **'TIME DEFROST'** button once, the oven will display "dEF2".
2. Press the **'-'** or **'+'** buttons to select the defrost time of the food. The maximum time is 95 minutes.
3. Press the **'START/+30 SEC/CONFIRM'** button to start defrosting.

Note: Half way through your selected defrost program your microwave will sound twice. This is to alert you to turn your food over to ensure effective defrosting of your food. Once turned, close the door and press the **'START/+30 SEC/CONFIRM'** button to continue defrosting. If this is not completed, the microwave will just continue working.

Kitchen Timer

Your microwave can also function as a timer. To set the timer, follow the instructions below:

1. Press the **'KITCHEN TIMER/CLOCK'** button once to choose hours for alteration. The hour figures will flash.
2. Press the **'-'** or **'+'** buttons to adjust the time. The maximum cooking time is 95 minutes.
3. Press the **'START/+30 SEC/CONFIRM'** button to confirm the setting.
4. When the timer has finished, the microwave will sound 5 times. If the clock has been set, then the screen will return to displaying the current time.

HOW TO USE THE MICROWAVE

Multi-Stage Cooking

A maximum of two different stages can be set. For instance, you can set the microwave to defrost an item and then follow it with a cooking cycle.

Note: The buzzer will ring once after each stage and then the next stage will proceed.

Note: The Auto menu and speedy cooking cannot be set as one of the cooking stages.

If one of the stages is for defrosting this should be programmed to come on first .

Example: If you want to defrost your food for 5 minutes, then to cook with 80% microwave power for 7 minutes, then the steps are as follows:

1. Press the **'TIME DEFROST'** button once; the screen will then display "dEF2".
2. Press the **'-'** or **'+'** buttons to adjust the defrost time to 5 minutes.
3. Then press the **'MICROWAVE'** button twice; the screen will display **'P80'** (80% power).
4. Press the **'START/+30 SEC/CONFIRM'** button to confirm.
5. Press the **'-'** or **'+'** buttons to adjust the cooking time to 5 minutes.
6. Press the **'START/+30 SEC/CONFIRM'** button to start the multi-stage cooking process.

HOW TO USE THE MICROWAVE

Auto cooking function

As a digital microwave, the appliance features a default cooking menu, automatically calculating the cooking time based on the type of food and weight.

- 1) In a waiting state, press the '+' button repeatedly to choose the menu.
- 2) Press the '**START/+30 SEC/CONFIRM**' button to confirm your menu choice.
- 3) Press the '-' or '+' buttons to select the weight of the food in grams.
- 4) Press the '**START/+30 SEC/CONFIRM**' button to start cooking.

You will need to use your discretion regarding food type, temperature and weight as times may vary - below is a guideline for each auto cooking setting:

Display	Auto Menu	Weight (g) on the Display	Power
A-1	Pizza	200	100%
		400	
A-2	Meat	250	100%
		350	
		450	
A-3	Vegetables	200	100%
		300	
		400	
A-4	Pasta	50g (add 450ml water)	80%
		100g (add 800ml water)	
A-5	Potato	200	100%
		400	
		600	
A-6	Fish	250	80%
		350	
		450	
A-7	Beverage	1 cup (about 120ml)	100%
		2 cups (about 240ml)	
		3 cups (about 360ml)	
A-8	Popcorn	50	100%
		100	

HOW TO USE THE MICROWAVE

Checking Functions

1. During the cooking cycle, if using the microwave function press the '**MICROWAVE**' button and the current power will be displayed for 3 seconds.
2. If using the grill/combi function, press the '**GRILL/COMBI**' button and the current power will be displayed for 3 seconds.
3. If the clock has been set, during the cooking cycle you can press the '**KITCHEN TIMER/CLOCK**' button to check the current time. It will be displayed for 3 seconds.

Child lock function

The child lock function is ideal to stop children from altering cooking times if unsupervised. No buttons will function in this mode.

To set the child lock when in standby, press and hold the '**STOP/CLEAR**' button for 3 seconds. A loud 'beep' will sound to indicate the lock is now functional.

A rectangle will illuminate on the display.

To cancel the child lock, again press and hold the '**STOP/CLEAR**' button for 3 seconds. A loud 'beep' will sound to indicate the microwave is no longer locked.

The current time will continue to display.

Speedy Cooking

1. In a waiting state, press the '**START/+30 SEC/CONFIRM**' button to cook with 100% power level for 30 seconds. Each press on the key will increase the cooking time by 30 seconds. The maximum cooking time is 95 minutes.
2. While using the microwave, grill/combination, and defrost by time settings, you can press the '**START/+30 SEC/CONFIRM**' button to increase the cooking time.
3. Cooking time can not be increased by pressing the '**START/+30 SEC/CONFIRM**' button when using the auto-menu and defrost by weight settings.
4. In a waiting state, press the '-' buttons to choose a cooking time. You can then press the '**START/+30 SEC/CONFIRM**' button to start cooking with 100% power for the selected length of time.

HOW TO USE THE MICROWAVE

General information

- The '**START/+30 SEC/CONFIRM**' button must be pressed again to continue cooking if the door is opened during a cooking cycle.
- Once the cooking programme has been set, if the '**START/+30 SEC/CONFIRM**' button is not pressed within 1 minute the current time will display and the setting will be cancelled.
- The buttons will 'beep' if they are pressed correctly, if not pressed correctly they will not 'beep'.
- The buzzer will sound five times to remind you when cooking is finished.

Utensil information

- Do not use metal pans or dishes with metal handles.
- Do not use anything with a metal trim.
- Do not use paper-covered wire twist-ties on plastic bags.
- Do not use melamine dishes as they contain a material which will absorb microwave energy. This may cause the dishes to crack or burn, and will slow down the cooking speed.
- Use only cookware that is approved to be used in a microwave oven.
- Do not cook using a container with a restricted opening, such as bottles, as they may explode.
- Do not heat baby bottles with the teat left on. Remove it if replacing the bottle back into the oven.
- Only use thermometers that are approved for microwave ovens.
- Do not use the microwave oven for heating utensils.

COOKING TIPS

Defrosting tips

Microwaves penetrate around 4cm into most food. To maximize defrosting effectiveness follow the below guidelines:

1. For thick foods, turn regularly during operation in order to defrost evenly.
2. If food weighs over 500g, it is advised to turn at least 2 times.
3. Defrosted food should be consumed as soon as possible, it is not advisable to put back into the fridge or freeze again.

Cooking tips - The following may affect cooking results:

Food arrangement

If possible, thicker bits of food should be placed around the outside of the dish and the thinner parts toward the centre, spread out as evenly as possible. Do not overlap food if possible as this could result in uneven cooking results.

Cooking time

If you are unsure of cooking times it is advisable to start with a short cooking time and monitor cooking progress before adding further time. Overcooking could lead to a risk of fire. Ensure food is cooked thoroughly before consuming.

Cooking food evenly

Foods such as meat should be turned frequently to ensure more even cooking results. If the food is liquid based, stirring during the cooking time is advisable.

Allow standing time

When the microwave has stopped cooking, leave the food to rest for an adequate length of time to allow for cooking completion and cooling.

CLEANING THE MICROWAVE

- Before you clean the microwave, **turn it off and unplug it.**
- Keep the inside of the oven clean. When food or liquids stick to the oven walls, wipe with a damp cloth. We recommend that you do not use harsh detergent or abrasives.
- On the right hand side wall of the cavity is the wave guide cover, microwaves are passed through this to enable your food to cook. It is important that this wave guide cover is kept clean at all times. To do this wipe with mild detergent and water, then dry.
- You should clean the outside of the oven with a damp cloth. **Do not allow water to seep into the ventilation openings.**
- **Do not allow the control panel to become wet.** Clean with a soft, damp cloth. Do not use detergents, abrasives or spray-on cleaners on the control panel.
- If steam builds up inside or around the outside of the oven door, wipe with a soft cloth. This may happen when the microwave oven is used in humid conditions.
- Regularly remove the glass turntable to clean it, and wash it in warm soapy water. Regularly clean the turntable support and oven floor. Simply wipe the bottom surface of the oven with mild detergent and water, then dry. You can wash the turntable support in mild soapy water.
- When removing the turntable support of the oven, make sure you put it back properly.
- If the inside of the oven smells, put a cup of water with the juice and skin of one lemon in a deep microwave bowl. Microwave it for three minutes, wipe thoroughly and then dry with a soft cloth.
- Failure to maintain the oven in a clean condition, especially if liquid is left under the turntable, could lead to deterioration of the surface that will adversely affect the life of the appliance that may result in a hazardous condition.

PROBLEM SOLVING



WARNING: To reduce the risk of personal injury, always unplug the microwave before performing maintenance or trouble shooting checks.

The microwave oven may cause interference to your radio, TV or similar equipment. If this happens, you can stop the interference by moving the radio, TV or equipment as far away from your microwave oven as possible.

Problem	Potential reason	Potential solution
If the microwave doesn't work	Microwave is not plugged in	Make sure the plug is plugged in securely into the mains and the plug is switched on. If it is not, remove the plug from the socket, wait 10 seconds and plug it in again securely.
	Plug is not working	The plug socket that the microwave is plugged into may have become faulty. Plug the microwave into another known good plug socket, ensure that the socket is turned on and check if the microwave now works.
	The plug has a blown fuse or the mains circuit has a blown fuse/tripped fuse	Check the plug for a blown circuit fuse or a tripped main circuit breaker. If these seem to be working properly, test the socket with another appliance.
	Microwave has developed a fault	Contact customer services to talk through the problem to see if any solution for the fault can be found. If not and the product is within its warranty period, then the microwave should be returned to the retailer it was purchased from for a replacement or refund.
If the microwave power will not work	Door is not closed	Make sure the door is securely closed. Otherwise, the microwave will not engage or operate.
	The power has not been set/the timer dial has not been turned	Set the microwave power by pressing the 'Power' button. Select the time by turning the dial and pressing 'Start' to confirm.
Not heating	Magnetron not working	The component that produces the microwaves is called a magnetron, if food is not being heated or is 'luke' warm then it is likely this component has developed a fault. If the microwave is within its warranty period, please contact customer services for further advice or take the microwave back to the retailer it was purchased from for a refund or replacement.

PROBLEM SOLVING

Problem	Potential reason	Potential solution
Sparking	Burnt on food debris	<p>Spillages or splashes can burn and catch fire, all food that is put into the microwave should be appropriately covered. All spillages or splashes must be cleaned, and all areas of microwave cleaned after each use.</p> <p>Burnt on food debris in the microwave, on the wave guide and the behind the wave guide can cause the microwave to 'spark'. This is because burnt on debris can be focused on by the microwaves and spark.</p> <p>Microwaves must be thoroughly cleaned after every use to ensure no food is burnt on to any part of the microwave.</p>
	Metal or foil	<p>No metal or foil should be put inside a microwave as it can cause 'sparking' which can damage the microwave.</p> <p>The only metal accessories that should be used inside the microwave are the ones supplied by the manufacturer.</p>
	Pressure build up in food	<p>Food with none porous skins (potatoes for example), must be pierced to allow steam to escape. As the build up of pressure can cause food to burst and create a 'fire hazard'.</p>
Heat spots	Operated empty or with no moisture	<p>Microwaves cannot be run empty, microwaves need moisture to operate correctly.</p> <p>If microwaves are operated empty or are used to heat up plates (this is not permitted), the microwaves can focus on a single point inside the microwave. This can cause a heat spot, which can cause the area to become deformed, warped or start to melt.</p> <p>If microwaves are operated empty or to heat up foreign objects this will void the warranty.</p>

PROBLEM SOLVING

Problem	Potential reason	Potential solution
Condensation or excess water	Food that is being cooked	By the very nature of how a microwave works, it 'excites' the water molecules in the food it is heating, causing them to move about and generate heat from within the food. Often when the food heats up it reaches the point where steam is released. Dependent on the food type being heated (and its water content level), the length of time being heated for – and so the amount of steam generated – it is inevitable that some of the steam will condense and form back into water droplets within the microwave cavity. This can usually be found on the inner walls or most commonly on the back of the glass door. If not cleaned up, these droplets can start to form small 'pools' of water.
	2. Cooling vents covered	Cooling vents allow the heat and steam to escape from the microwave. These cannot be covered as it can cause excessive water to settle inside the microwave or the microwave to overheat. The installation instructions in the instruction manual must be followed or the warranty will be void.
Paint damage/peeling	Maintenance	If the microwave is within its warranty period, please contact customer services for further advice or take the microwave back to the retailer it was purchased from for a refund or replacement.
Light not working	Bulb not working	Due to the construction of microwaves and certain 'dangerous' components inside, the light bulb can only be changed by a qualified service engineer. If the microwave is within its warranty period, please contact customer services for further advice or take the microwave back to the retailer it was purchased from for a refund or replacement.
Overheating	Cooling vents covered	Cooling vents allow the heat and steam to escape from the microwave. These cannot be covered as it can cause excessive water to settle inside the microwave or the microwave to overheat. The installation instructions in the manual must be followed or the warranty will be void.
Too noisy	Glass turntable fitted incorrectly	Check that the glass turntable has been placed correctly on the turntable and is not hitting the walls/doors of the microwave during operation.
	Dishes/plates are too large for the microwave	Check that the dishes/plates are the correct size for the microwave and that they are not hitting the walls/door of microwave during operation.

PROBLEM SOLVING

Problem	Potential reason	Potential solution
Door not shutting/ locking	Glass turntable fitted incorrectly	Check that the glass turntable has been placed correctly on the turntable and is not stopping the door from shutting correctly.
	Latches have become deformed	If the microwave is within its warranty period, please contact customer services for further advice or take the microwave back to the retailer it was purchased from for a refund or replacement.
Turntable not rotating	Turntable coupling not fitted or tape not removed	Check that the turntable coupling is fitted correctly and the transportation tape has been removed.
	Turntable roller ring not fitted or fitted incorrectly	Check that the coupling has been placed under the turntable and that it is positioned correctly.
	Glass turntable fitted incorrectly	Check that the glass turntable has been placed correctly on the turntable.
	Turntable has developed a fault	If the microwave is within its warranty period, please contact customer services for further advice or take the microwave back to the retailer it was purchased from for a refund or replacement.

GUARANTEE & CUSTOMER SERVICES

At Russell Hobbs, we take all our customer feedback seriously.

Feel free to contact our Customer Service Team on

0345 209 7461

who will be more than happy to assist you.

This product is guaranteed for **24 months** from the date of the original purchase. If any defect arises due to faulty materials or workmanship, the faulty product must be returned to the place of purchase.

Refund or replacement is at the discretion of the retailer.

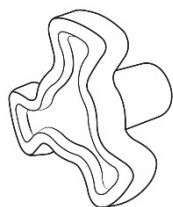
The following conditions apply:

- The product must be returned to the retailer with the original proof of purchase.
- The product must be installed and used in accordance with the instructions contained in this instruction guide and any other instructions for use which are supplied.
- It must be used for domestic purposes only and for its intended use.
- This warranty does not cover wear and tear, damage, misuse or consumable parts.

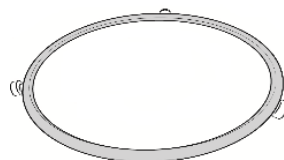
SPARE PARTS

To check the availability of the following spare parts, simply contact our friendly Customer Services team using the details provided at the bottom of this page.

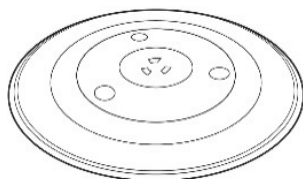
Turntable coupling



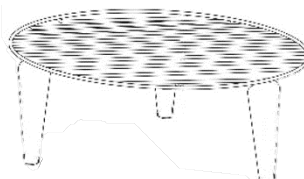
Turntable ring



Glass turntable



Grill rack



CONNECTION TO THE MAINS SUPPLY

WARNING - THIS APPLIANCE MUST BE EARTHED

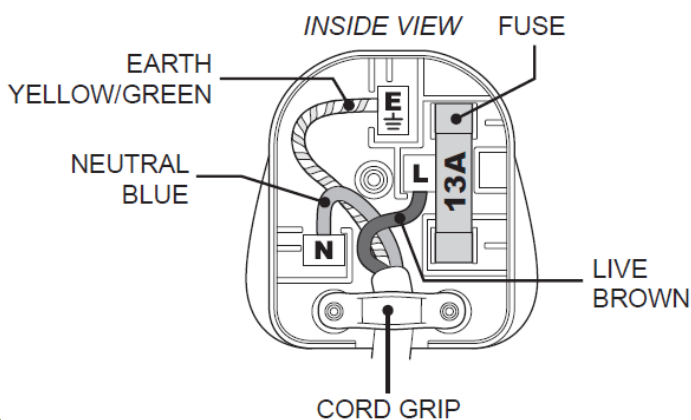
This appliance is designed to operate from a mains supply of
230-240V~ 50Hz.

Check that the voltage marked on the product corresponds with
your supply voltage.

This product is fitted with a moulded 13A plug complying with
BS1363. If this plug is unsuitable or needs to be replaced, refer to
Customer Services as it should only be replaced by a qualified
engineer.

To replace the 13amp fuse, remove the plug from the socket,
remove the fuse cover near the pins of the plug, remove the fuse
and replace with 13amp fuse. Refit the fuse cover and plug the unit
back into the power supply.

Important: The wires in the mains lead are coloured in
accordance with the following code:



GREEN/YELLOW – EARTH

BLUE – NEUTRAL

BROWN – LIVE

CONNECTION TO THE MAINS SUPPLY

For UK use only – PLUG

- As the colours of the wires in the mains lead of this appliance may not correspond with the coloured markings identifying the terminals in your plug, proceed as follows:
- The **GREEN/YELLOW** wire is the EARTH and must be connected to the terminal which is marked with the letter E or by the earth symbol or coloured **GREEN** or **GREEN/YELLOW**.
- The **BLUE** wire is the NEUTRAL and must be connected to the terminal marked with the letter N or coloured **BLACK**.
- The **BROWN** wire is the LIVE wire and must be connected to the terminal marked with the letter L or coloured **RED**.
- **Always ensure that the plug cord grip is fastened correctly.**
- If a 13A (BS1363) fused plug is used it must be fitted with a 13amp fuse conforming to BS1362 and be BSI or ASTA approved.

If the fuse cover is lost the plug must not be used until a replacement is obtained from an electrical supplier.

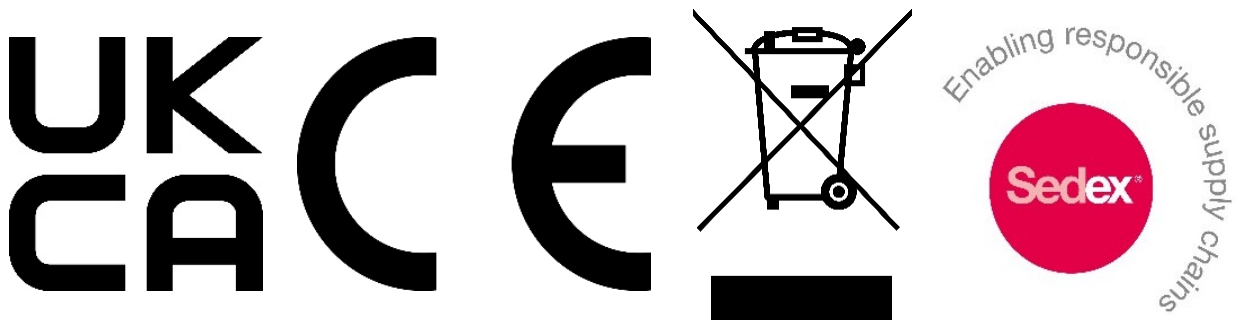
If you need to remove the plug, cut it from the mains lead and dispose of it. NEVER attempt to re-use this plug or insert it into a socket outlet, as there is a very great risk of electrical shock.



Russell Hobbs

Made by Product Care Trading Limited under license from Spectrum Brands (UK) Limited. Product Care Trading Limited, Wigan, WN2 4AY/ PCT (NI) Ltd, Belfast, BT5 5AD. Russell Hobbs is the registered trademark of Spectrum Brands (UK) Ltd.

Russell Hobbs Support: call **0345 209 7461** or visit: mda.russellhobbs.com



The 'wheeie bin' symbol is known as the 'Crossed-out wheeie bin Symbol'. When this symbol is marked on a product/batteries, it means that the product/batteries should not be disposed of with your general household waste. Only discard electrical/electronic/battery items in separate collection schemes, which cater for the recovery and recycling of materials contained within. Your co-operation is vital to ensure the success of these schemes and for the protection of the environment. For your nearest disposal facility, visit www.recycle-more.co.uk or ask in store for details.

SEDEX – Connecting businesses and their global suppliers to share ethical data and enabling improvement in ethical performance. Visit www.sedex.org.uk for further information.

We reserve the right, due to possible changes to design, to alter the instruction manual without prior notice.

Revision 1.6