

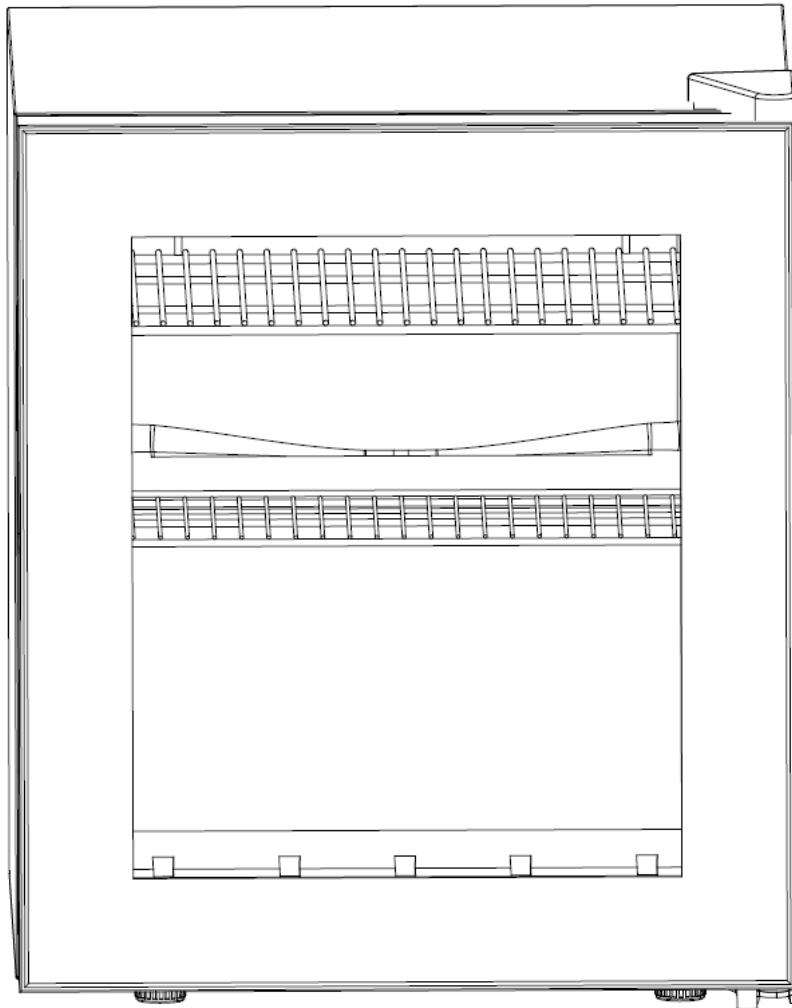


Russell Hobbs Beverage Cooler

Operating Manual

RH46TTBC1241B
RH46TTBC1241SS

Beverage Cooler



CLEAN CABINET

Clean the cabinet at least every 3 months.

3
MONTHS

**REGISTER YOUR
FREE 1 YEAR
GUARANTEE
TODAY**

GUARANTEE

At Russell Hobbs, we take all our customer feedback seriously.

Feel free to contact our Product Care Team, on **0345 208 8750** who will be more than happy to assist you.

This product is guaranteed for 12 months from the date of the original purchase. If any defect arises due to faulty materials or workmanship, the faulty product must be returned to the place of purchase.

Refund or replacement is at the discretion of the retailer.

The following conditions apply:

- The product must be returned to the retailer with the original proof of purchase.
- The product must be installed and used in accordance with the instructions contained in this instruction guide and any other instructions for use which are supplied.
- It must be used for domestic purposes only and for its intended use.
- This guarantee does not cover wear and tear, damage, misuse or consumable parts.
- This does not affect your statutory rights.

RUSSELL HOBBS CONTACT DETAILS

Website: mda.russellhobbs.com

Telephone: 0345 208 8750

Address: Product Care Customer Service, Green Bank Business Park, Hindley Green, Wigan, WN2 4AY

Note your serial number below for future reference.



Image for illustration purposes only

REGISTER ONLINE

Visit our website to register your full parts and labour guarantee online.

mda.russellhobbs.com

REGISTER BY PHONE

Call our friendly Product Care team.

0345 208 8750

CONTENTS

Page	Section
2	Guarantee
4	Safety Instructions
7	Installation Guidance
8	Product Overview
9	First Time Use
10	Lock & Keys (selected models only)
11	Door Reversal
13	Energy Saving Advice
14	Problem Solving
15	Cleaning Instructions
16	Wiring
17	Technical Specification
18	Notes

IMPORTANT SAFETY INSTRUCTIONS

- It is hazardous for anyone other than a competent person to carry out any service or repair operation that involves the removal of a cover which gives protection against exposure to electrical parts.
- If the supply cord is damaged, it must be replaced by the manufacturer, its service agent or similarly qualified persons in order to avoid a hazard. DO NOT use with damaged cord or plug.
- **DO NOT** use with an extension cable.
- This product is intended for household use only. DO NOT use outdoors.
- This appliance can be used by children aged from 8 years and above and persons with reduced physical, sensory or mental capabilities or lack of experience and knowledge if they have been given supervision or instruction concerning use of the appliance in a safe way and understand the hazards involved. Children should not play with the appliance. Cleaning and user maintenance should not be made by children without supervision.
- **DO NOT** install on carpet or any surface that would prevent adequate ventilation of the appliance.
- Use only parts and accessories supplied with the appliance, or sourced directly from the manufacturer.
- Keep the appliance and plug away from water; do not allow it to get wet.

IMPORTANT SAFETY INSTRUCTIONS

- **DO NOT** use appliance if it has been dropped, damaged, left outdoors or dropped into water. Do not operate this appliance for anything other than its intended use.
- If unit is wet, do not plug unit into wall socket or turn unit on. Do not immerse in water or other liquids for cleaning. **DO NOT** handle the appliance with wet hands.
- **DO NOT** pull by the cord, close door on cord, pull cord around sharp corners or edges, or expose cord to heated surfaces.
- The use of accessory attachments not recommended by the manufacturer may cause fire, electric shock or injury. Only use the accessories supplied by the manufacturer.
- Only use the appliance when fully assembled.
- Never place your fingers or other objects into any part of the appliance. Be aware that loose clothing or hair may become trapped in the cleaner if improperly used.
- This model uses natural refrigerant gas as part of its cooling system. This gas is known as R600a (Isobutene) and is environmentally friendly but can be combustible. Care should therefore be taken when handling or transporting the product to ensure that none of the refrigeration circuit components are damaged,
- If this appliance is to replace an old cooler with a lock, the lock must be removed as a safety measure before storing it or disposing of it. This is to protect children from locking themselves inside the appliance.

IMPORTANT SAFETY INSTRUCTIONS

- **DO NOT** use mechanical devices or other artificial means to accelerate the defrosting process, such as a heater or a hair dryer.
- **DO NOT** use electrical appliances in the cooler compartment of the appliance.
- Old refrigerators, coolers and freezers contain insulation gases and refrigerant, they must be disposed of properly. Contact your local authority or your dealer if you have any questions. Please ensure that you do not damage the scrap unit prior to being picked-up by the relevant waste disposal service.
- **DO NOT** use adaptors or extension leads when connecting the appliance to the electrical power supply.
- Fix down the accessories in the appliance during transportation to prevent damage to them.
- If the appliance is left empty for long periods, switch off, defrost, clean, dry and leave the door open to prevent mould developing within the appliance.
- This refrigerating is intended to be used exclusively for the storage of wine or beverages.
- This refrigerating appliance is **NOT** intended to be used as a built -in appliance.
- This refrigerating appliance is **NOT** suitable for freezing foodstuffs.

INSTALLATION GUIDANCE

ALWAYS leave a minimum of 6cm around each side of the appliance and 30cm at the top.

NEVER install this appliance behind a closable door as an integrated appliance, or in any other method which would result in blocking the tumble dryer door.

NEVER install the appliance pressed against the plug and socket, as this can, in rare cases, result in overheating the plug and socket.

ALWAYS leave a minimum of 10cm from stoves, ovens or other heat emitting appliances.

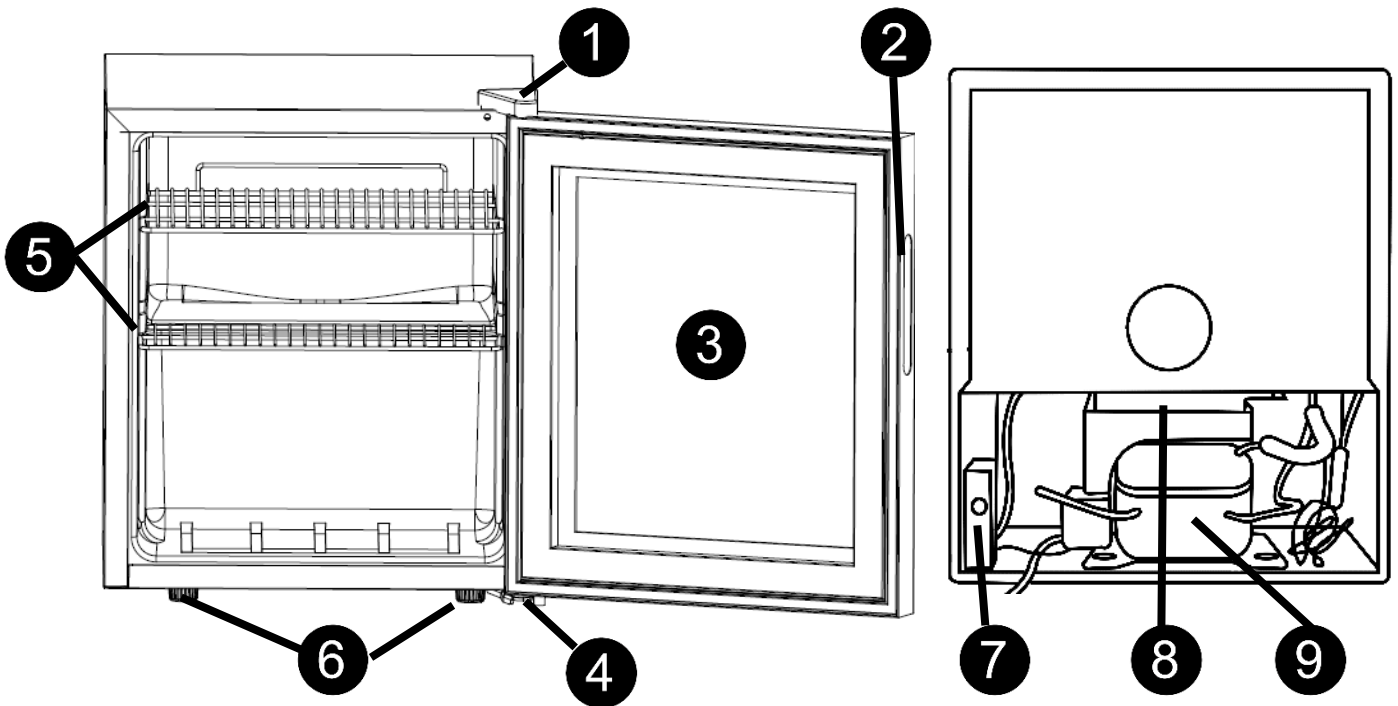
ENSURE the plug is easily accessible at all times.

FIRE WARNING

WARNING During use, service and disposal of the appliance, please pay attention to symbol similar to the one shown, which is located on rear of the appliance (rear panel or compressor) and with a yellow or orange colour. It's risk of fire warning symbol. There are flammable materials in refrigerant pipes and compressor. Please be far away from fire source during use, service and disposal.



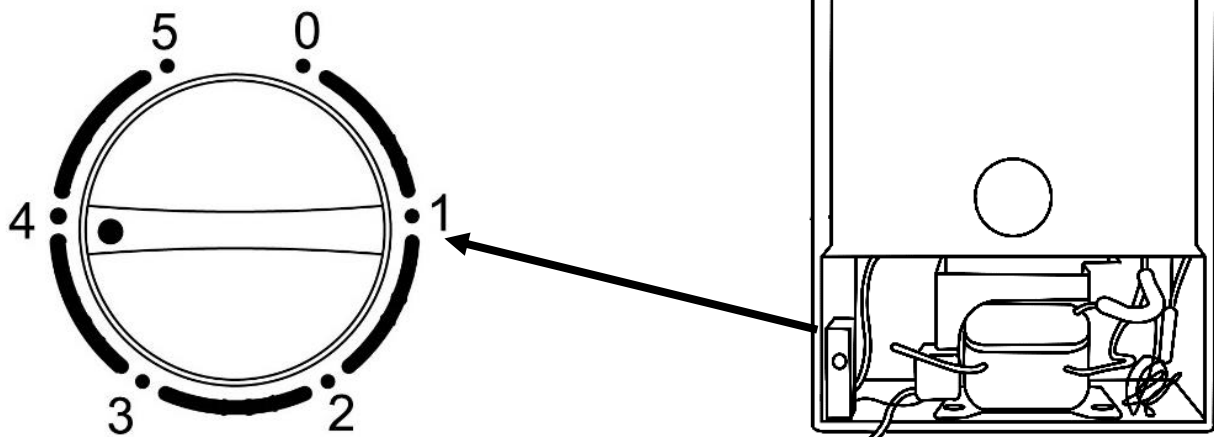
PRODUCT OVERVIEW



- 1. Upper hinge
- 2. Handle recess
- 3. Glass door
- 4. Lower hinge
- 5. Shelves

- 6. Adjustable feet
- 7. Thermostat
- 8. Drip tray
- 9. Compressor

FIRST TIME USE



The temperature in the appliance is controlled by the temperature control dial located on the rear of the cooler on the outside of the product. Rotate the control dial left or right to regulate the temperature inside the cooler.

On the temperature control, 0 is off, 1 is the warmest setting and 5 is the coldest setting. Under normal conditions the temperature control should be set between setting 4 and 5.

Once the temperature control has been set, close the door and plug in the appliance. We recommend that the door is not opened for a minimum of 4 hours to allow the appliance to reach the standard operating temperature.

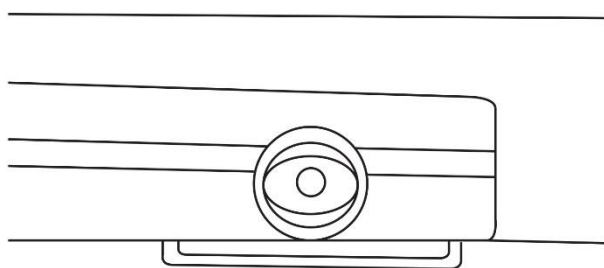
Note: The standard operating temperature for the cooler compartment should be between 5°C and 18°C.

Note: The temperature of items stored in the appliance and how often the door is opened affects the temperature in the cooling compartment. If required, change the temperature setting.

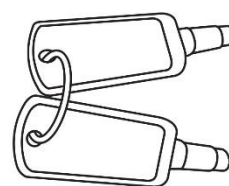
LOCK & KEYS (SELECTED MODELS)

Some models are provided with a lock and 2 keys (denoted by -LCK at the end of the model number).

- The lock will be on the front of the unit/door at the bottom. The keys are packaged with the instruction manual inside the appliance.
- To lock the appliance insert 1 of the keys into the lock and turn it clockwise until the metal pin is fully engaged and the door is locked. Remove the key and place it in a secure place.
- To unlock the appliance insert 1 of the keys in to the lock and turn the key counter clockwise until the metal pin is fully released and the door is unlocked. Remove the key and place it in a secure place.
- If required the locking plate at the bottom of the unit (this is where the locking pin locates when the unit is locked) can be adjusted. To do this loosen the 2 screws, adjust the plate and retighten the screws. Check the locking pin locates correctly.



Lock on Door



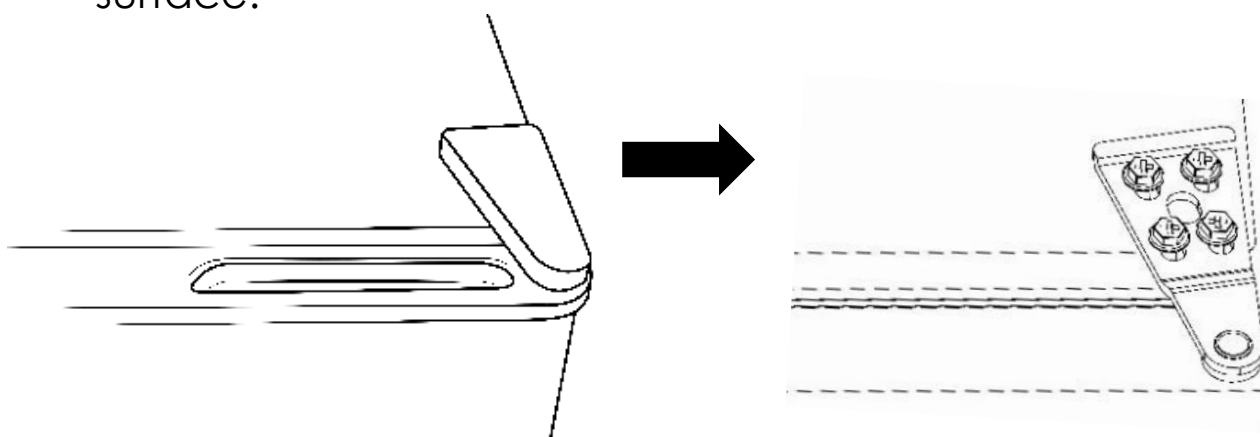
Keys

DOOR REVERSAL

You will need to tilt the cooler backward to access the lower hinge which holds screws. Do not tilt more than 45 degrees and do not lay the cooler flat on its side.

Tools Required: Philip head screwdriver, flat headed screwdriver and hexagonal spanner.

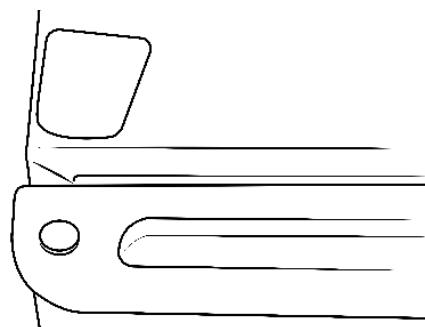
- 1) Remove the top plastic hinge cover and set aside, then unscrew the 4 screws from the metal bracket and set aside. Carefully remove the door and place it on a cushioned surface.



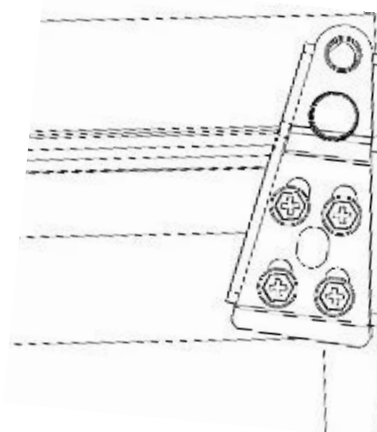
- 2) Remove the hinge plug and plastic insert from the top of the door and fix them to the opposite sides. On some models you may need to remove the hinge stopper from the bottom of the door and fix it to the opposite side of the door, ensuring it is fixed securely.

DOOR REVERSAL

- 3) Remove the plastic insert on the left side of the cooler and fix it to the opposite side, taking care not to cause any damage.



- 4) Tilt the appliance no more than 45 degrees and remove the screw on the left side of the cooler and set it aside. Then unscrew the 4 screws holding the bottom door hinge in place, move it across to the opposite side and fix it into position. Now fix the screw that you set aside to the right side of the cooler.



- 3) Place the door back on to the bottom hinge, put the pin of the top hinge into the top of the door and fix the hinge in to place by screwing it to the top of the cabinet (use a spanner to tighten it if necessary). Ensure the door is aligned horizontally and vertically so that the seals are closed on all sides before finally tightening the top hinge.

Note: The appliance must now be upright for a minimum of 3 hours before turning it on.

ENERGY SAVING ADVICE

Do not install the appliance close to sources of heat, such as a cooker, dishwasher or radiator.

Locate the appliance in a cool well-ventilated room and make sure that the air vents are clear.

Try to avoid keeping the doors open for a long time, warm air will enter the cabinet and may cause a build-up of ice as well as affecting the energy consumption. Ensure there are no obstructions preventing the doors from closing properly.

Ensure that the door seals are clean and there are no tears or splits. Do not overload the appliance: the cooling air that circulates to keep the appliance cold gets blocked and pockets of warm air form.

Do not put hot items into the cooler – let them cool down first. The shelves are placed in factory mode this delivers the most energy efficient usage for this appliance.

PROBLEM SOLVING

Machine does not turn on	<ul style="list-style-type: none"> • Check it is plugged in • Check the plug socket operates correctly using another appliance • Check the fuse • Check that the voltage is correct for the appliance.
The temperature inside the appliance is not cold enough	<ul style="list-style-type: none"> • Check that the appliance is not overloaded • Check that the thermostat is set to a suitable temperature. • Check that the appliance is not placed in direct sunlight, or too near to a heating source. • Check that the ambient temperature is within the operation limits of the appliance.
The temperature within the appliance is too cold	<ul style="list-style-type: none"> • Increase the working temperature by adjusting the thermostat to a lower setting. • The highest setting should only be used as a rapid cool setting and should only be set 2 hours before a large amount of food is placed in the cooler. If this is not done the temperature in the cooler compartment could fall below 0°C as the compressor will run continuously.
The inner surfaces of the appliance are wet	<ul style="list-style-type: none"> • Caused by condensation - dry the inside of the appliance • Are the doors of the appliance opened frequently? Once the door is opened, the humidity found in the air in the room enters the appliance, especially if the humidity levels in the room are very high. The more frequently the door is opened in humid conditions the more chance of the build up of moisture.
The outer surfaces of the appliance are wet	<ul style="list-style-type: none"> • Caused by condensation - dry the outer of the appliance carefully.

PROBLEM SOLVING

Unpleasant smell/odour	<ul style="list-style-type: none"> • Check all the items that are in the cooler are in date and correctly packaged. If it isn't then it should be removed immediately or repackaged. • Check for spillages on each shelf and rack. You may need to remove the shelf and rack to check that no spillages have settled underneath them. Spillages that have not been cleaned and have been left can cause smells and unwanted odours.
The doors do not close properly	<ul style="list-style-type: none"> • Ensure there are no obstructions preventing door closure. • Check the door compartments and shelves are correctly in place. • Check the door seal is not warped or torn • Check the appliance is level
Unusual noises	<ul style="list-style-type: none"> • Check that the appliance is on a flat, level surface and is stable. • Check the spacing's around the appliance and ensure it is not touching other items. • Bubbling and gurgling sound: • This noise is emitted as the coolant fluid flows through the pipes within the system. This is normal. • Water flowing sound: • This is the normal sound of water flowing into the drain trough during the defrosting process. • If the appliance is operating noisily (compressor noise): This is normal. This noise indicates that the compressor is operating normally. As the compressor is being energized, it might run a bit more noisily for a short period of time.
Smoke coming from appliance	<ul style="list-style-type: none"> • Immediately stop using the appliance • If possible, remove all laundry and remove from location, and unplug • Immediately contact customer services

WIRING

WARNING- THIS APPLIANCE MUST BE EARTHED

This appliance is designed to operate from a mains supply of AC220V - 240V; 50HZ. Check that the voltage marked on the product corresponds with your supply voltage.

For UK use only – Plug fitting details (where applicable):

As the colours of the wires in the mains lead of this appliance may not correspond with the coloured markings identifying the terminals in your plug, proceed as follows:

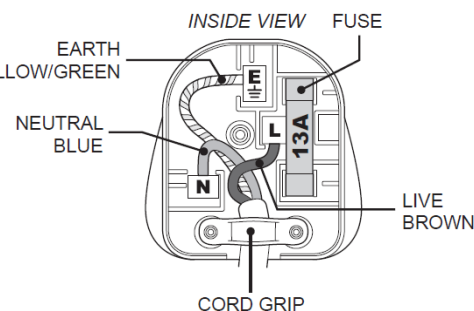
The GREEN/YELLOW wire is the EARTH and must be connected to the terminal which is marked with the letter E or by the earth symbol or coloured GREEN or GREEN/YELLOW.

The BLUE wire is the NEUTRAL and must be connected to the terminal marked with the letter N or coloured BLACK.

The BROWN wire is the LIVE wire and must be connected to the terminal marked with the letter L or coloured RED.

Always ensure that the plug cord grip is fastened correctly.

If a 13A (BS1363) fused plug is used it must be fitted with a 13amp fuse conforming to BS1362 and be BSI or ASTA approved.



If you are still experiencing difficulties with the appliance, please contact us **BEFORE** returning the appliance to the retailer it was purchased from:

Website: mda.russellhobbs.com

Telephone: 0345 208 8750

Address: Product Care Customer Service, Green Bank Business Park, Hindley Green, Wigan, WN2 4AY

TECHNICAL SPECIFICATION

Supplier's name or Trade Mark:	Russell Hobbs				
Supplier's Address:	Unit 1, Green Bank Business Park, Wigan, WN2 4AY / PCT (NI) Ltd, Belfast, BT5 5AD.				
Model Identifier:	RH46TTBC1241B				
Product Type	Wine Cooler				
	Value		Value		
Total Volume (L)	46	Dimensions (cm)	Height	51.5	
			Width	43.0	
			Depth	48.0	
		Net Weight (kg)	18.5		
Rated Voltage	220V-240V / 50Hz		Rated Current	0.55A	
EI	172		Energy Efficiency Rating	G	
Airborne acoustical noise emissions (dB)	40		Airborne acoustical noise emission class	C	
Annual Energy Consumption (kWh/a) <i>*Actual consumption may vary depending on how the appliance is used</i>	134		Climate Class	N/SN	
Minimum ambient temperature (°C) for which the refrigerating appliance is suitable	10°C		Maximum ambient temperature (°C) for which the refrigerating appliance is suitable	32°C	
Winter Setting	No				
	Compartment Parameters and Values				
Compartment Type		Compartment Volume (L)	Recommended temperature setting for optimised food storage (°C) These settings shall not contradict the storage conditions set out in Annex IV, Table 3	Freezing capacity (kg/24 h)	Defrosting type (Automatic / Manual / Static)
Pantry	No	N/A	+17	N/A	N/A
Wine Storage	Yes	46	+12	N/A	Automatic
Cellar	No	N/A	+12	N/A	N/A
Fresh Food	No	N/A	+4	N/A	N/A
Chill	No	N/A	+2	N/A	N/A
0 Star or Ice Maker	No	N/A	0	N/A	N/A
1 Star	No	N/A	-6	N/A	N/A
2 Star	No	N/A	-12	N/A	N/A
3 Star	No	N/A	-18	N/A	N/A
4 Star	No	N/A	-18	N/A	N/A
2 Star Section	No	N/A	-12	N/A	N/A
Variable Temperature Compartment	No	N/A	-18	4.5	N/A
Light Source Parameters (for models with an LED lamp)					
Type of Light Source	N/A		For 4-Star Compartments		
Energy Efficiency Class	N/A		Fast Freeze	No	
Low Noise Appliance	No		Design Type	Freestanding	
Wine Storage Appliance	Yes		Other Refrigerating Appliance	No	
Number of Standard Wine Bottles	12				
Minimum duration of the guarantee offered by the supplier:			12 months		
Weblink to the manufacturer's website, where the information in point 4(a) Annex of Commission Regulation (EU) 2019/2019 (1) (b) is found:			mda.russellhobbs.com		

NOTES

IMPORTANT!

CLEAN CABINET

Wash the cabinet with hot water at least every 3 months.

3 MONTHS



This product is guaranteed for 12 months from the date of the original purchase. If any defect arises due to faulty materials or workmanship, the faulty product must be returned to the place of purchase.

REGISTER ONLINE

Visit our website to register your full parts and labour guarantee online.

mda.russellhobbs.com

REGISTER BY PHONE

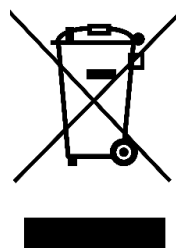
Call our friendly Product Care team.

0345 208 8750



Made by Product Care Trading Limited under license from Spectrum Brands (UK) Limited. Product Care Trading Limited, Wigan, WN2 4AY/
PCT (NI) Ltd, Belfast, BT5 5AD. Russell Hobbs is the registered trademark of Spectrum Brands (UK) Ltd.

Russell Hobbs Support: call 0345 208 8750 or visit
mda.russellhobbs.com



The 'wheellie bin' symbol is known as the 'Crossed-out wheellie bin Symbol'. When this symbol is marked on a product/batteries, it means that the product/batteries should not be disposed of with your general household waste. Only discard electrical/electronic/battery items in separate collection schemes, which cater for the recovery and recycling of materials contained within. Your co-operation is vital to ensure the success of these schemes and for the protection of the environment. For your nearest disposal facility, visit www.recycle-more.co.uk or ask in store for details.

SEDEX – Connecting businesses and their global suppliers to share ethical data and enabling improvement in ethical performance. Visit www.sedex.org.uk for further information.

We reserve the right, due to possible changes to design, to alter the instruction manual without prior notice.