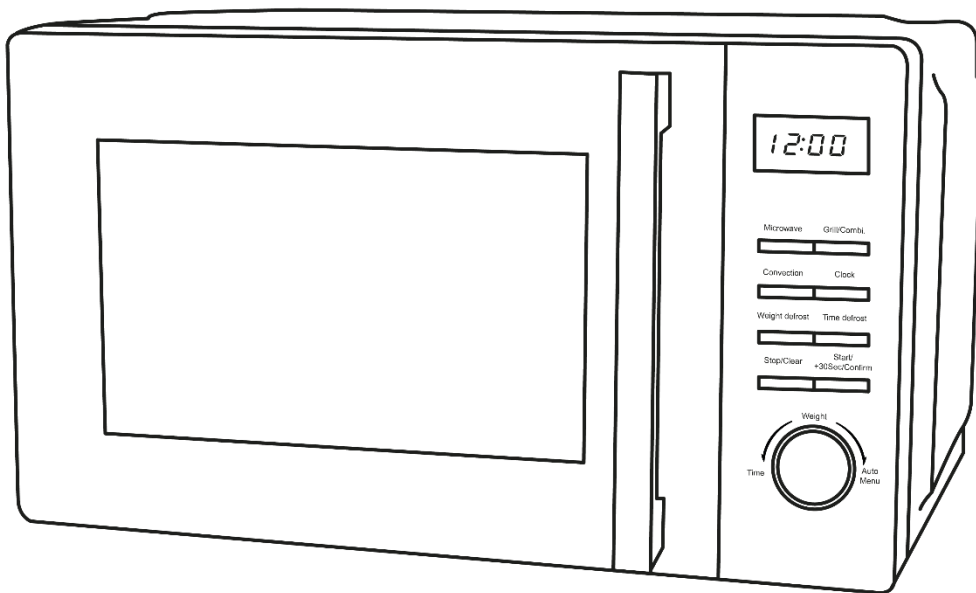




Russell Hobbs

23 Litre Black Digital Combination Microwave User Guide



**Model Number:
RHM2366B**

**PLEASE RETAIN
FOR FUTURE REFERENCE**

CONTENTS

	Page(s)
Safety instructions	3-9
About your microwave	10-11
Product information	12
Unpacking the microwave	13
Product overview	14
Microwave oven installation	15-16
Glass plate installation	17-18
Control panel	19
How to use the microwave	20-30
Cooking tips	31
Cleaning the microwave	32
Problem solving	33-36
Guarantee & customer services	37
Spare parts	38
Connection to the mains supply	39-40
Notes	41-43
Disposal information	44

SAFETY INSTRUCTIONS

IMPORTANT SAFETY INSTRUCTIONS **READ CAREFULLY AND KEEP FOR FUTURE REFERENCE**

WARNING:

- If the door or door seals are damaged, the oven must not be operated until it has been repaired by a competent person.
- It is hazardous for anyone other than a competent person to carry out any service or repair operation that involves the removal of a cover which gives protection against exposure to microwave energy.
- Liquids and other foods must not be heated in sealed containers since they are liable to explode.
- The appliance and its accessible parts may become hot during use. Care should be taken to avoid touching heating elements.
- Do not leave the microwave oven unattended while you are using it.
- Do not use the microwave when it is empty. This could damage the oven.
- This appliance is intended to be used in the household and general domestic applications. It is not intended to be used in industrial or commercial applications.

SAFETY INSTRUCTIONS

READ CAREFULLY AND KEEP FOR FUTURE REFERENCE

WARNING:

- This microwave is intended for heating food and beverages only. The drying of food or clothing and heating of warming pads, wheat bags, slippers, sponges, damp cloth and similar is extremely dangerous and may lead to risk of injury, ignition or fire.
- Do not use metal pans, dishes with metal handles or anything with a metal trim inside the microwave. Do not use paper covered wire twist-ties on plastic bags.
- Never put objects into the openings on the outer case.
- This appliance can be used by children aged from 8 years and above and persons with reduced physical, sensory or mental capabilities or lack of experience and knowledge, only if they are being supervised or have been given instruction in the safe use of the appliance and understand the hazards involved. Children should not play with the appliance.
- Food containing a mixture of fat and water (for example, stock) should stand for 30 to 60 seconds in the oven after it has been turned off. This is to allow the mixture to settle and to prevent it from bubbling when a spoon is placed in it, or a stock cube is added.

SAFETY INSTRUCTIONS

READ CAREFULLY AND KEEP FOR FUTURE REFERENCE

WARNING:

- When heating or cooking food or liquid, remember that there are certain foods (such as, jam, Christmas pudding, and mincemeat) which heat up very quickly.
- Microwave heating of beverages can result in delayed eruptive boiling, therefore care must be taken when handling the container.
- The contents of feeding bottles and baby food jars shall be stirred or shaken and the temperature checked before consumption, in order to avoid burns. Do not heat baby bottles with the teat left on. Remove it if replacing the bottle back into the oven.
- Eggs in their shell and whole hard-boiled eggs should not be heated in microwave ovens since they may explode, even after microwave heating has ended.
- Do not cook any food surrounded by a membrane, such as egg yolks, potatoes, chicken livers, sausages, ready meals and so on without piercing them several times with a fork.
- Do not try to deep-fry foods in this microwave oven.
- Do not overcook food.
- When heating food in plastic or paper containers, keep an eye on the oven due to the possibility of ignition.

SAFETY INSTRUCTIONS

READ CAREFULLY AND KEEP FOR FUTURE REFERENCE

WARNING:

- If materials inside the oven smoke or catch fire, keep the oven door closed to stifle the flames, turn the oven off at the wall switch, or shut the power off at the fuse or circuit-breaker panel. If smoke is emitted, switch off or unplug the appliance and keep the door closed in order to stifle any flames.
- Please remember that as food or liquids heat up, they will release steam or may be spitting. Never cover any container fully, always leave a gap for steam to escape.
- Do not use plastic containers when heating or cooking foods that contain a lot of fat or sugar.
- Always have the glass plate and glass plate support in place when using the microwave oven.
- Do not cook food directly on the glass plate. Put food on a suitable plate or in a bowl before putting it in the oven.
- When using the grill racks and baking tray, be aware that these will become HOT during cooking as they aren't heatproof. Please use suitable oven gloves when removing these.

SAFETY INSTRUCTIONS

READ CAREFULLY AND KEEP FOR FUTURE REFERENCE

WARNING:

- Do not use melamine dishes as they contain a material which will absorb microwave energy. This may cause the dishes to crack or burn, and will slow down the cooking speed.
- Use only cookware and utensils that are approved for use in a microwave oven.
- Do not use the microwave oven for heating utensils, plates or dishes.
- Do not cook using a container with a restricted opening, such as bottles, as they may explode.
- Before you clean your microwave oven, turn it off and unplug it.
- Keep the inside of the oven clean. When food or liquids stick to the oven walls, wipe with a damp cloth. We recommend that you do not use harsh detergent or abrasives.

SAFETY INSTRUCTIONS

READ CAREFULLY AND KEEP FOR FUTURE REFERENCE

WARNING:

- On the right hand wall of the cavity is the waveguide cover, microwaves are passed through this to enable your food to cook. **It is important that this waveguide cover is kept clean at all times.** To do this wipe with mild detergent and water, then dry.
- The oven should be cleaned regularly and any food deposits removed. Failure to maintain the oven in a clean condition could lead to deterioration of the surface that could adversely affect the life of the appliance and possibly result in a hazardous situation.
- You should clean the outside of the oven with a damp cloth. Do not allow water to seep into the ventilation openings.
- Do not use harsh abrasive cleaners or sharp metal scrapers to clean the oven door glass since they can scratch the surface, which may result in shattering of the glass.
- If steam builds up inside or around the outside of the oven door, wipe with a soft cloth. This may happen when the microwave oven is used in humid conditions.

SAFETY INSTRUCTIONS

READ CAREFULLY AND KEEP FOR FUTURE REFERENCE

WARNING:

- Regularly remove the glass plate to clean it, wash it in warm soapy water or a dishwasher. Regularly clean the glass plate support and oven floor. Simply wipe the bottom surface of the oven with mild detergent and water, then dry. You can wash the glass plate support in mild soapy water.
- Failure to maintain the oven in a clean condition, especially if liquid is left under the glass plate, could lead to deterioration of the surface that will adversely affect the life of the appliance that may result in a hazardous condition.

ABOUT YOUR MICROWAVE

Thank you for purchasing your Russell Hobbs microwave oven.

Combining a microwave, grill and convection oven, this Russell Hobbs 3-in-1 23 litre digital combination microwave offers the versatility you need in your kitchen, without losing space on your worktop. This 900W, 3-in-1 microwave makes cooking your family favourites even easier and healthier than before. With special air circulating technology this microwave allows you to create your favourite dishes in less time and with little to no oil. What's more, this microwave brings a sleek look to your kitchen with its mirror door finish, making it the perfect addition to your space.

Cooking meals for family and friends or reheating large plates of food becomes simple and easy with 900 watts of microwave power and 10 auto cook menus.

The true fan assisted oven acts exactly the same as a conventional oven which gives you the option of an extra cooking facility, for large dinner parties and family gatherings. The combination aspect enables you to combine microwave energy, a grill, and convection heating (fan assisted) so you can heat, roast, crisp and brown. Ideal for cooking lasagnes, pizzas, baked potatoes and cottage pies.

For added peace of mind, the RHM2366B enables a child lock to be set, meaning cooking cannot be started or interrupted.

Cleaning is straight forward, simply wipe the exterior, interior and waveguide cover with a damp soft cloth to maintain peak performance.

In the unlikely event that you experience any issues with your product, please make our friendly Customer Service team your first point of call.

ABOUT YOUR MICROWAVE

How do microwaves work?

Microwaves are high-frequency electromagnetic waves similar to radio waves. While radio waves may vary in length from one metre to many kilometres, microwaves are very short (less than 12.5 centimetres.)

Microwaves do not make any heat themselves but cause water molecules in food to vibrate.

This vibration produces heat that cooks the food. This is why your food will come out of the microwave piping hot, when your utensils inside the oven stay much cooler. The microwaves do not stay in the air or in the food when you open the microwave oven door.

The microwave oven will work using an ordinary household electrical socket. Inside the microwave oven is the magnetron, which turns the electrical energy into microwaves.

Microwaves cannot travel through metal, so the inside of the oven is lined with metal. The door is lined with a fine metal mesh which stops microwaves getting through. This means that when the microwave oven door is shut, there is no possibility that microwaves can be released.

PRODUCT INFORMATION

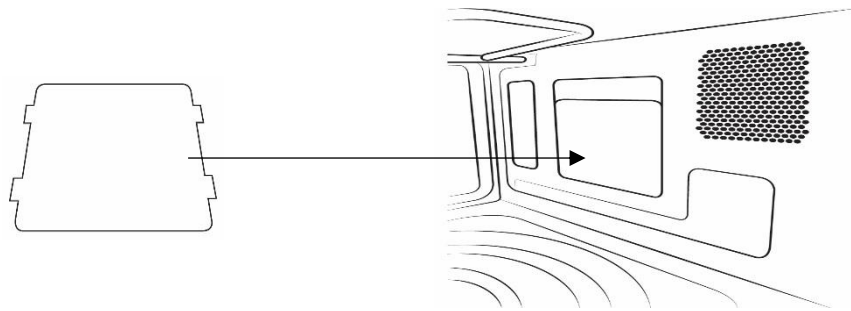
Model number	RHM2366B
Rated Voltage	230-240V ~ 50Hz
Rated Output Power (Microwave)	800-900W
Rated Grill Power	900-1000W
Rated Convection Power	1600-1700W
Oven Capacity	23L
Glass plate Diameter	28.8cm
External Dimensions (H x W x D)	28 x 46.9 x 41.7 cm
Net Weight; Approx	15.08 kg
Number of Power Levels	5
Accessories Included	Glass plate support, Glass plate, Short grill rack, Tall grill rack, Baking tray and Waveguide cover.
Energy Consumption Product information for power consumption and maximum time to reach applicable low power mode.	
Standby mode	0.8 W
The maximum time needed for the microwave oven to automatically reach the applicable low power mode or condition	20 minutes

*Internal volume is calculated by measuring maximum width, depth and height. Actual capacity for holding food is less.

UNPACKING THE MICROWAVE

Before you use your microwave oven

1. Remove all the packaging. **Do not** remove the small piece of card from the right hand side of the cavity wall (Refer to the below image). This is called a waveguide cover and allows the microwaves to pass through to cook the food.



Please ensure you keep this cover clean at all times by wiping with a damp cloth. Do not remove/place in a dishwasher.

2. Check the oven after unpacking for any visual damage such as:

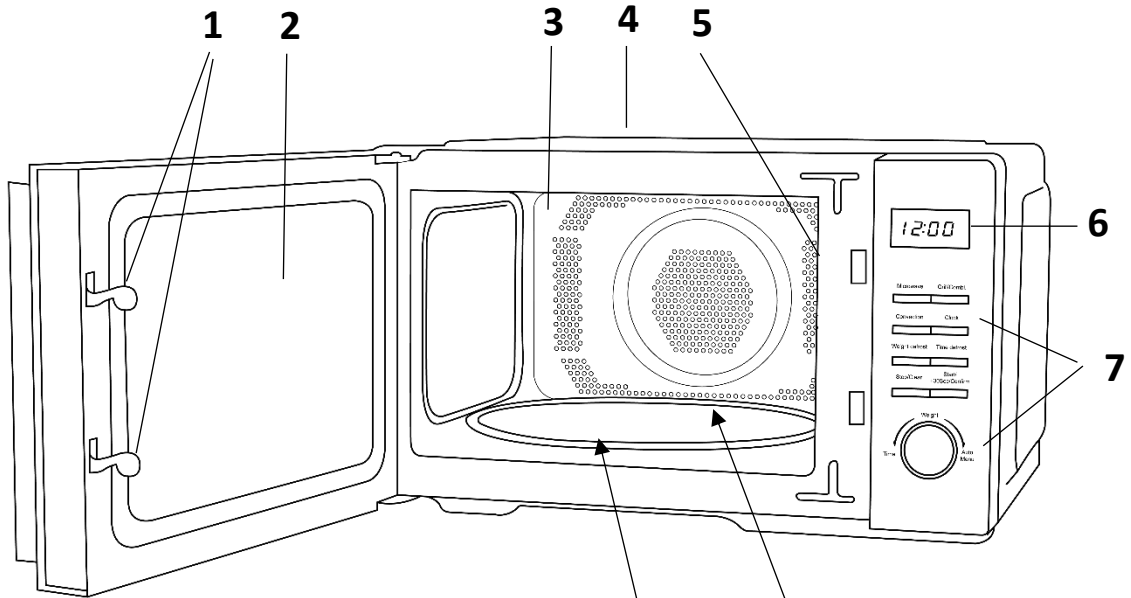
- A misaligned door
- Damage to the door
- Dents or holes in the door window and screen
- Dents in the inside

If you can see any damage **do not use the oven, please contact Customer Service team on 0345 209 7461.**

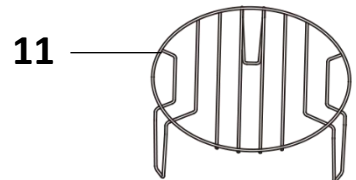
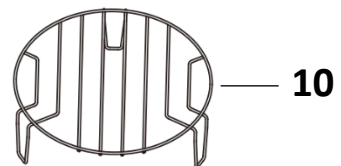
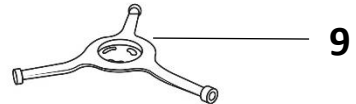
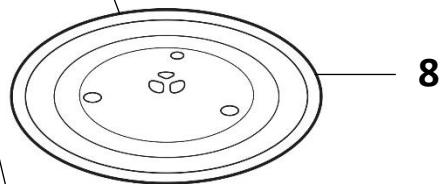
This microwave oven weighs approximately 15.08 kg so you must put it on a horizontal surface that is strong enough to support this weight.

The oven must be placed away from high temperatures and steam. Do not put anything on the top of the microwave oven.

PRODUCT OVERVIEW



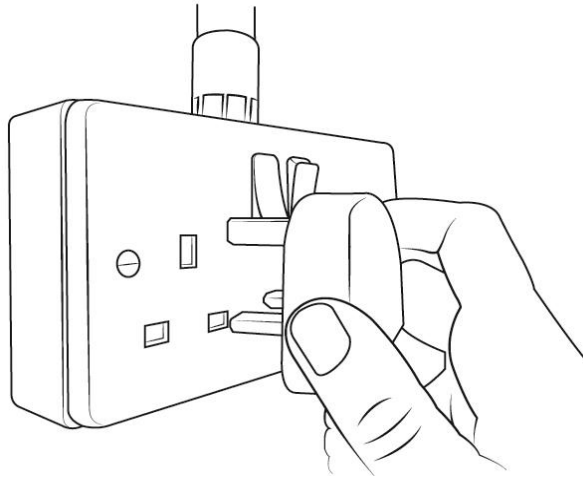
- 1. Safety interlock latches
- 2. Microwave window
- 3. Oven cavity
- 4. Microwave top
- 5. Waveguide cover
- 6. Screen display
- 7. Control panel – buttons and dial
- 8. Glass plate
- 9. Glass plate support
- 10. Short grill rack
- 11. Tall grill rack
- 12. Baking tray



Grill racks to be used for grilling & convection cooking only.
Baking tray to be convection cooking only.

MICROWAVE OVEN INSTALLATION

- Place the oven as far away from radios and televisions as possible. Using the oven may cause interference with the reception.
- Plug the oven into a suitable 13 amp mains socket, make sure the voltage is the same as on the rating label (do not use extension cables or mains socket adaptors.)



- The microwave oven should be used freestanding only and must not be built-in or used in a cabinet.
- Select a level surface that provides enough space for the outlet vents.

MICROWAVE OVEN INSTALLATION

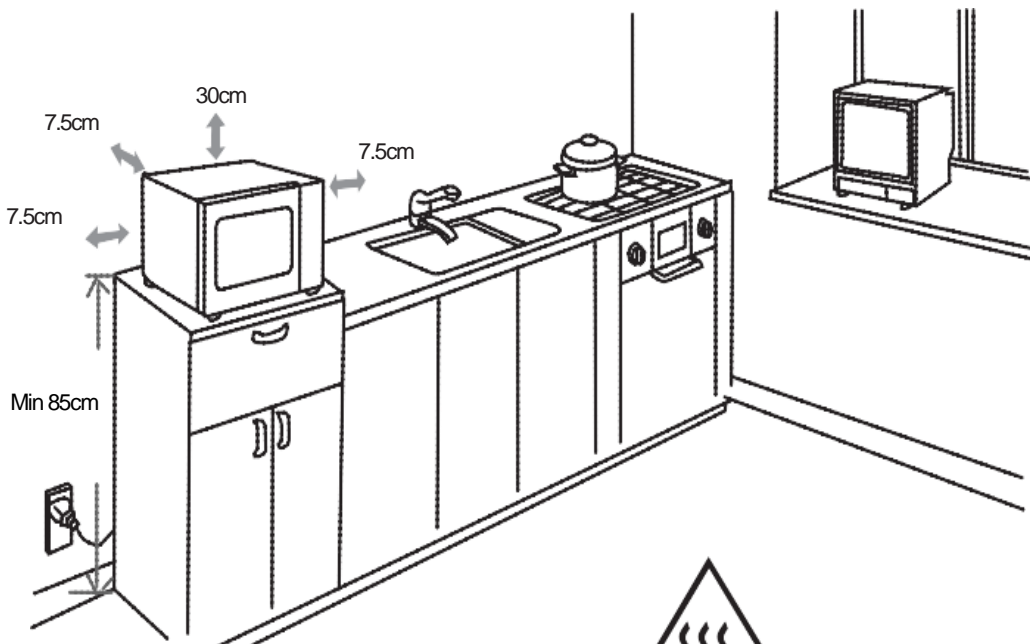
The minimum installation height is 85cm.

The rear surface of the appliance should be placed against a wall.

A minimum clearance of 7.5cm is required between the oven and any adjacent walls. Leave a minimum clearance of 30cm above the oven.

WARNING:

DO NOT install the oven over a cooker or other heat or steam producing appliance as this will damage the microwave oven.



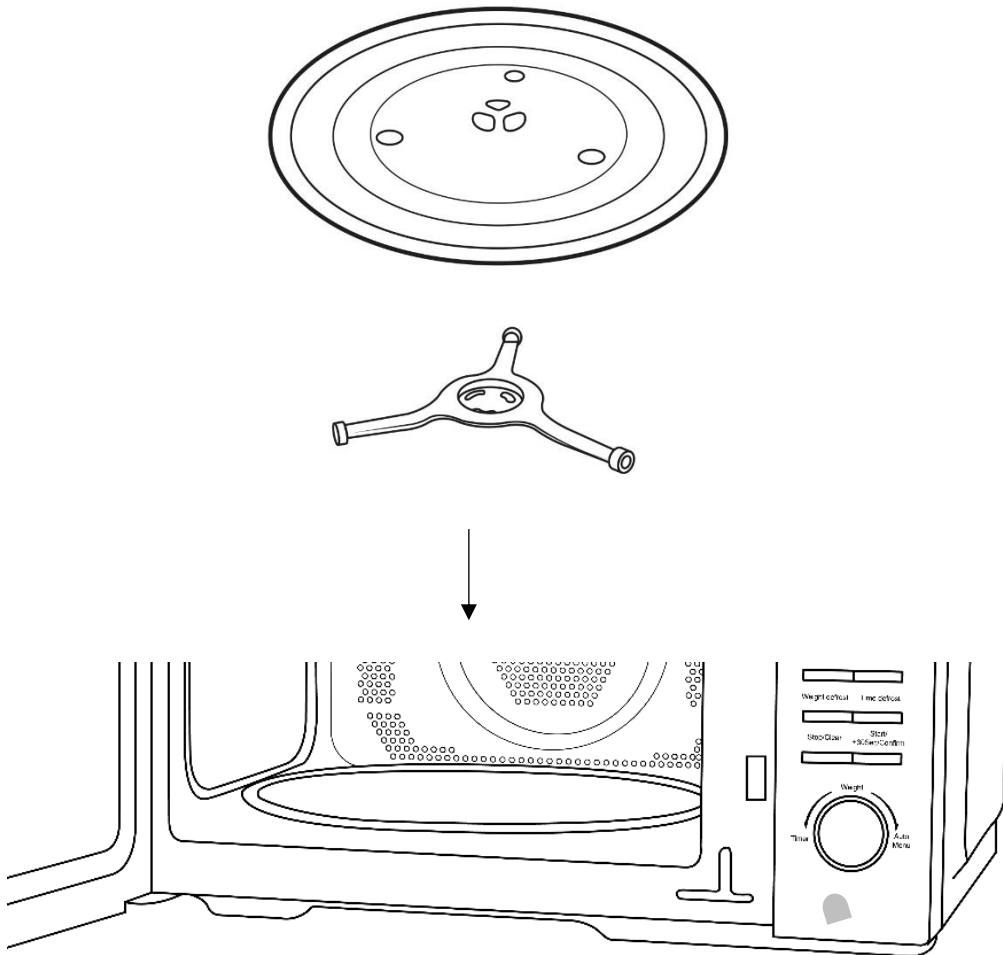
DO NOT obstruct
the ventilation
from the microwave



This symbol means
“CAUTION: Hot Surface”

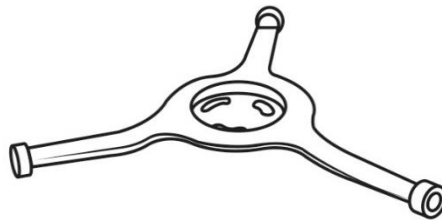
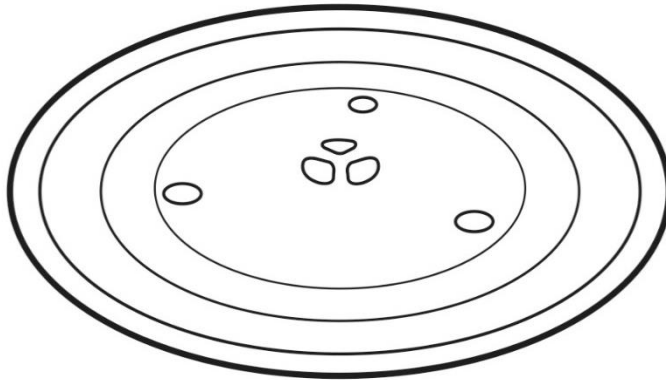
GLASS PLATE INSTALLATION

- Before first use, check that any securing tape and all packaging has been removed from the glass tray and glass plate support.
- **These parts must never be restricted from rotating.**
- Never place the glass tray upside down.
- To assemble the glass plate, since the support is pre-fitted in the cavity already, place the glass plate on top of the support.



GLASS PLATE INSTALLATION

The glass tray and glass plate support must always be used during cooking (as shown below).



- Do not place the food directly onto the glass tray, always place on or in suitable microwaveable cookware.

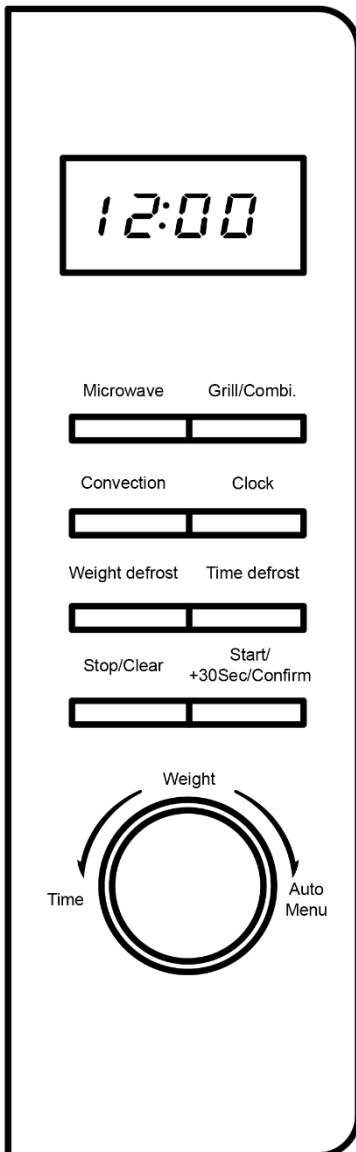
Please check that crockery is microwave safe before using.

- If the glass tray or glass plate support has been damaged in any way, please contact our Customer Service team on **0345 209 7461**.

CONTROL PANEL

SCREEN DISPLAY

Cooking time, power, action indicators, and clock time are displayed.



MICROWAVE

Press this button to select the microwave power.

GRILL/COMBI.

Press this button to use the grill element, located on the top of the cavity.

CONVECTION

Press this button to use the convection function; an element at the back of the unit is used for convection cooking.

CLOCK

Press this button to set the clock.

WEIGHT/TIME DEFROST

Press these buttons for the defrost function.

STOP/CLEAR

Press the Stop/Clear button twice to clear everything.

START/+30 SEC./CONFIRM

Press this button to start the cooking process.

TIME/WEIGHT/AUTO MENU

This rotational dial is used for a number of functions.

HOW TO USE THE MICROWAVE

Turn on the power

Insert the plug into a suitable 13amp mains socket.

Note: Make sure the voltage is the same as on the rating label located on the back of the microwave (do not use extension cables or mains socket adaptors.)

The microwave oven will flash and beep. The oven will display "0:00"

Setting the clock (24 hour)

For example, if you want to set the time to 08:30 (am):

1. Press the **"Clock"** button twice.
2. Turn the **"Time/Weight/Auto Menu"** dial clockwise until the display shows '08:'.
3. Press the **"Clock"** button to confirm.
4. The display will show '8:00'. Set the minutes by turning the **"Time/Weight/Auto Menu"** dial clockwise until the display shows '08:30'.
5. Press the **"Clock"** button to confirm.

The clock is now set and the colon will continue to flash.

Note:

- If the clock is not set, the microwave will not function when powered.
- During the process of clock setting, if you press **"Stop/Clear"**, the oven will return to the previous setting.
- After step 4, if the **"Clock"** button isn't pressed within 1 minute, the microwave will go back to the previous status automatically.

HOW TO USE THE MICROWAVE

Microwave cooking

Once you have correctly installed the unit, turned on the power and set the clock, you are ready to start cooking. Your microwave has 5 power levels, the lowest at 10%, then 30%, 50%, 80%, up to 100% (or full power). Most recipes are cooked on full power – this should be indicated on the packaging of microwavable food.

1. To select a power level, press the **“Microwave”** button.
2. Turn the **“Time/Weight/Auto Menu”** dial to select the microwave power. "P100", "P80", "P50", "P30", "P10" will be displayed.

OR

Press the **“Microwave”** button to scroll through the power levels.

3. Press **“Start/+30Sec./Confirm”** to confirm.
4. Turn the **“Time/Weight/Auto Menu”** dial to adjust the cooking time. The time setting should be set between 0:05- 95:00.
5. Press **“Start/+30Sec./Confirm”** button to start the cooking process.

The maximum cooking time is 95 minutes. To add more time during cooking, simply press the **“Start/+30Sec./Confirm”** button.

Do not operate the oven empty, this can cause irreparable damage.

Pausing cooking

If you want to pause the cooking to turn over or stir the contents, simply open the door, then close again and press the **“Start/+30Sec./Confirm”** button to continue the cycle.

If you wish to stop cooking with time left on the display, take out the contents, close the door and press the **“Stop/Clear”** button twice to clear.

Press power button	Cooking power	Equivalent power rating
P100	100%	900W
P80	80%	720W
P50	50%	450W
P30	30%	270W
P10	10%	90W

HOW TO USE THE MICROWAVE

Convection cooking (With preheating function)

The convection cooking allows you to cook food using the unit as a traditional oven; the microwave function is not used. It is recommended that you preheat the oven to the appropriate temperature before placing the food in the oven.

A baking tray has been provided for use in the microwave when using the convection function.

1. Press the **“Convection”** button once, and **“100°C”**, the cooking temperature will flash.
2. Keep pressing the **“Convection”** button or turn **“Time/Weight/Auto Menu”** dial to select the desired convection function temperature.
Note: The temperature can be set between 100°C to 190°C, in 10 degree intervals.
3. Press the **“Start/+30Sec./Confirm”** button to confirm the chosen temperature.
4. Press the **“Start/+30Sec./Confirm”** button to start preheating. When the preheating temperature is reached, the buzzer will sound twice to remind you to place the food in the oven. The preheated temperature will display and flash. Open the door and place the food in the microwave oven, then close the door.
5. Turn **“Time/Weight/Auto Menu”** dial to adjust the cooking time. The maximum time available is 95 minutes.
6. Press the **“Start/+30Sec./Confirm”** button to commence cooking.

Note:

- The cooking time cannot be entered until the preheating temperature is reached. Once the temperature is reached, the door must be opened to input the cooking time.
- If the time is not entered after 5 minutes of reaching the temperature, the oven will stop preheating. The buzzer will sound five times and turn back to the waiting state.

HOW TO USE THE MICROWAVE

Convection cooking

The convection cooking allows you to cook food using the unit as a traditional oven; the microwave function is not used. It is recommended that you preheat the oven to the appropriate temperature before placing the food in the oven. However, if you want to start cooking without preheating the oven please follow the below steps and be aware that the cooking time of the food will have to be extended.

A baking tray has been provided for use in the microwave when using the convection function.

1. Press the **“Convection”** button once, and **“100°C”**, the cooking temperature will flash.
2. Turn **“Time/Weight/Auto Menu”** dial to select the desired convection function temperature. **Note:** The temperature can be set between 100°C to 190°C, in 10 degree intervals.
3. Press the **“Start/+30Sec./Confirm”** button to confirm the chosen temperature.
4. Turn **“Time/Weight/Auto Menu”** dial to adjust the cooking time. The maximum time available is 95 minutes.
5. Press the **“Start/+30Sec./Confirm”** button to commence cooking.

Note:

- If the time is not entered after 5 minutes of reaching the temperature, the oven will stop preheating. The buzzer will sound five times and turn back to the waiting state.

HOW TO USE THE MICROWAVE

Grill cooking

Two grill racks have been provided for use in the microwave when using the grill function. They can be used to grill either closer to or further away from the element.

1. Press the **“Grill/Combi.”** button and **“G-1”** is displayed on the screen.
2. Press **“Start/+30Sec./Confirm”** button to confirm.
3. Turn the **“Time/Weight/Auto Menu”** dial to adjust the cooking time. The time setting should be between 0:05- 95:00.
4. Press **“Start/+30Sec./Confirm”** button to start the cooking process.

Note: Half way through the grill time, the unit will sound twice to tell you to turn the food over (if possible). In order to achieve more even grilling, you should turn the food over, close the door, and then press **“Start/+30Sec./Confirm”** to continue cooking. If the food is not turned, the oven will continue cooking without interruption.

Combination cooking

1. Press the **“Grill/Combi.”** button until **“C-1”** is displayed on the screen.
2. Keep pressing the **“Grill/Combi.”** button or turn **“Time/Weight/Auto Menu”** dial to select the combination cooking method that is required: **“C-1” “C-2” “C-3”** and **“C-4”** will appear on the display. Refer to below table.
3. Press **“Start/+30Sec./Confirm”** button to confirm your choice.
4. Turn the **“Time/Weight/Auto Menu”** dial to adjust the cooking time. The time setting should be set between 0:05- 95:00.
5. Press **“Start/+30Sec./Confirm”** button to start the cooking process.

On the following page, there is a table displaying which functions i.e. Microwave, Grill, Convection, are used in each combination cooking programme. Please do not use the grill racks or baking tray with programmes that feature microwave the function.

HOW TO USE THE MICROWAVE

Note: Combination instructions

Instructions	Display	Microwave	Grill	Convection
1	C-1	●		●
2	C-2	●	●	
3	C-3		●	●
4	C-4	●	●	●

Quick Start cooking

One of the quickest ways to start microwave cooking is by using the “+30Sec.” function.

1. Press the “**Start/+30Sec./Confirm**” button to cook with 100% power level for 30 seconds. Each press on the same button increases the cooking time by 30 seconds. The maximum cooking time is 95 minutes.
2. Pressing the “**Start/+30Sec./Confirm**” during the microwave cooking process will add another 30 seconds onto the microwave cooking time already set.

Note: This function does not work for defrost, auto menu cooking and multi stage cooking.

Another quick way to start microwave cooking is by using the quick time set function.

1. Turn the “**Time/Weight/Auto Menu**” dial anti-clockwise to set a cooking time. This will be at 100% power. The maximum cooking time is 95 minutes.
2. Then press the “**Start/+30Sec./Confirm**” button to start the cooking.

HOW TO USE THE MICROWAVE

Defrosting by Weight

1. Press the **“Weight defrost”** button once and the oven will display **“d-1”**.
2. Turn the **“Time/Weight/Auto Menu” dial** to select the weight of the food. The weight should be set between 100-2000g.
3. Press the **“Start/+30Sec./Confirm”** button to start defrosting.

Defrosting by Time

1. Press the **“Time defrost”** button once and the oven will display **“d-2”**.
2. Turn the **“Time/Weight/Auto Menu” dial** to select the cooking time. The maximum time is 95 minutes.
3. Press **“Start/+30Sec./Confirm”** button to start the defrosting process.

Multi-stage cooking

Two cooking stages can be set in sequence.

If one of your required cooking stages is for defrosting, make sure this is programmed to come on first.

The buzzer will ring once after each stage and then the next stage will proceed.

Note: The Auto menu or the pre-heating functions cannot be set as part of the multi-stage cooking sequence.

For example, if you want to defrost the food for five minutes, then cook with 80% microwave power for 7 minutes:

1. Press the **“Time Defrost”** button once and the screen will display **“d-2”**.
2. Turn the **“Time/Weight/Auto Menu” dial** to adjust the defrost time to 5 minutes.
3. Press the **“Microwave”** button once.
4. Turn the **“Time/Weight/Auto Menu” dial** until **“P80”** is displayed in order to choose 80% microwave power (refer to earlier instructions for power levels).
5. Press the **“Start/+30Sec./Confirm”** button to confirm.

HOW TO USE THE MICROWAVE

6. Turn the **“Time/Weight/Auto Menu”** dial to adjust the cooking time to 7 minutes.
7. Press **“Start/+30Sec./Confirm”** to commence cooking.

Child lock function

The child lock function is ideal to stop children from altering cooking times if unsupervised. No buttons will function in this mode.

To set the lock, in waiting state, press and hold the **“Stop/Clear”** button for 3 seconds. There will be a long ‘beep’ as the lock activates, and a key symbol will illuminate on the display.

The lock is now functional.

To cancel the lock, press and hold the **“Stop/Clear”** button for 3 seconds. There will be a long ‘beep’ signalling that the lock is cancelled, and the lock symbol will disappear.

Auto Menu

1. Turn the **“Time/Weight/Auto Menu”** dial clockwise to choose the required function, and **“A-1” “A-2” “A-3”...“A-10”** will be displayed. An Auto Menu cooking guide is on the following page.
2. Press the **“Start/ +30Sec./Confirm”** button to confirm the menu you require.
3. Turn the **“Time/Weight/Auto Menu”** dial to choose the weight of the food.
4. Press **“Start/ +30Sec./Confirm”** to commence the cooking process.

Note: When you select **“A-8”** for cake, please do not put the cake mix into the oven immediately. Follow the pre-heating instructions and pre-heat to 150 degrees. After several minutes, the buzzer sounds twice to remind you to put the cake into the oven. After putting the cake in the oven, please press **“Start/+30Sec./Confirm”** again.

Note: When you select **“A-10”** for chicken, the buzzer sounds twice to remind you when 2/3 of the time has passed. For better result, turn the chicken over, close the door, and then please press **“Start/ +30Sec./Confirm”** again.

HOW TO USE THE MICROWAVE

	Display	Weight (g)	Power Setting
A1 – Auto Reheat	150g	150	100%
	250g	250	
	350g	350	
	450g	450	
	600g	600	
A2 - Potatoes	1	1 (approx. 230g)	100%
	2	2 (approx. 460g)	
	3	3 (approx. 690g)	
A3 - Meat	150g	150	80%
	300g	300	
	450g	450	
	600g	600	
A4 - Vegetables	150g	150	100%
	350g	350	
	500g	500	
A5 - Fish	150g	150	80%
	250g	250	
	350g	350	
	450g	450	
	650g	650	
A6 - Pasta	50g	50 (add 450ml of water)	80%
	100g	100 (add 800ml of water)	
	150g	150 (add 1200ml of water)	
A7 - Soup	200	200ml	100%
	400	400ml	
	600	600ml	
A8 - Cake	475g	475	Pre-heat to 150 degrees
A9 - Pizza	100g	100	C-1
	200g	200	
	300g	300	
A10 - Chicken	500g	500	C-1
	750g	750	
	1000g	1000	
	1200g	1200	

HOW TO USE THE MICROWAVE

Kitchen timer

This microwave can also be used as a timer. To set the timer follow the directions below:

1. Press the **“Clock”** button once; “00:00” will then display.
2. Turn the **“Time/Weight/Auto Menu”** dial to select the desired time. The maximum time is 95 minutes.
3. Press **“Start/+30Sec./Confirm”** button to confirm. The timer will then start counting down.

Inquiring function

Providing that the clock has been set, you can check the current time whilst your food is cooking by following the directions below:

1. Press and the **“Clock”** button while your appliance is in the cooking state; the current time will then display for 3 seconds.

You can also check the power level when microwave cooking by pressing the **“Microwave”** button, and while grill or combination cooking you can check the current mode by pressing the **“Grill/Combi.”** button.

ECO function

You can also put the appliance in ECO mode yourself, by pressing the **“Stop/Clear”** button when the appliance is in standby mode. The screen will turn off.

To take the appliance out of ECO mode, you can press any button, or open or close the door to wake up the screen.

HOW TO USE THE MICROWAVE

Utensil information

- Do not use metal pans or dishes with metal handles.
- Do not use anything with a metal trim.
- Do not use paper-covered wire twist-ties on plastic bags.
- Do not use melamine dishes as they contain a material which will absorb microwave energy. This may cause the dishes to crack or burn, and will slow down the cooking speed.
- Use only cookware that is approved to be used in a microwave oven.
- Do not cook using a container with a restricted opening, such as bottles, as they may explode.
- Do not heat baby bottles with the teat left on. Remove before placing the bottle back into the oven.
- Only use thermometers that are approved for microwave ovens.
- Do not use the microwave oven for heating utensils.

General information

- The **“Start/+30Sec./Confirm”** button must be pressed again to continue cooking if the door is opened during a cooking cycle.
- Once the cooking programme has been set, if the **“Start/+30Sec./Confirm”** button is not pressed within 1 minute, the current time will display and the setting will be cancelled.
- The buzzer will sound five times to remind you when cooking is finished.

COOKING TIPS

Defrosting tips

Microwaves penetrate around 4cm into most food. To maximize defrosting effectiveness follow the below guidelines.

1. For thick foods, turn regularly during operation in order to defrost evenly.
2. If food weighs over 500g, it is advised to turn at least 2 times.
3. Defrosted food should be consumed as soon as possible, it is not advisable to put back into the fridge or freeze again.

Cooking tips - The following may affect cooking results:

Food arrangement

If possible, thicker bits of food should be placed around the outside of the dish and the thinner parts toward the centre, spread out as evenly as possible. Do not overlap food if possible as this could result in uneven cooking results.

Cooking length

If you are unsure of cooking times it is advisable to start with a short cooking time and monitor cooking progress before adding further time. Overcooking could lead to a risk of fire. Ensure food is cooked thoroughly before consuming.

Cooking food evenly

Foods such as meat should be turned frequently to ensure more even cooking results. If the food is liquid based, stirring during the cooking time is advisable.

Allow standing time

When the microwave has stopped cooking, leave the food to rest for an adequate length of time to allow for cooking completion and cooling.

CLEANING THE MICROWAVE

- Before you clean the oven, **turn it off and unplug it.**
- Keep the inside of the oven clean. When food or liquids stick to the oven walls, wipe with a damp cloth. We recommend that you do not use harsh detergents or abrasives.
- On the right hand side wall of the cavity is the waveguide cover, microwaves are passed through this to enable your food to cook. It is important that this waveguide cover is kept clean at all times. To do this wipe with mild detergent and water, then dry.
- You should clean the outside of the oven with a damp cloth. **Do not allow water to seep into the ventilation openings.**
- **Do not allow the control panel to become wet.** Clean with a soft, damp cloth. Do not use detergents, abrasives or spray-on cleaners on the control panel.
- If steam builds up inside or around the outside of the oven door, wipe with a soft cloth. This may happen when the microwave oven is used in humid conditions.
- Regularly remove the glass plate to clean it, and wash it in warm soapy water. Regularly clean the glass plate support and oven floor. Simply wipe the bottom surface of the oven with mild detergent and water, then dry. You can wash the glass plate support in mild soapy water.
- When removing the glass plate support of the oven, make sure you put it back properly.
- If the inside of the oven smells, put a cup of water with the juice and skin of one lemon in a deep microwave bowl. Microwave it for three minutes, wipe thoroughly and then dry with a soft cloth.
- Failure to maintain the oven in a clean condition, especially if liquid is left under the glass plate, could lead to deterioration of the surface that will adversely affect the life of the appliance that may result in a hazardous condition.

PROBLEM SOLVING



WARNING: To reduce the risk of personal injury, always unplug the microwave before performing maintenance or trouble shooting checks.

The microwave oven may cause interference to your radio, TV or similar equipment. If this happens, you can stop the interference by moving the radio, TV or equipment as far away from your microwave oven as possible.

Problem	Potential reason	Potential solution
If the microwave doesn't work	1. Microwave is not plugged in	Make sure the plug is plugged in securely into the mains and the switch is on. If it is not, remove the plug from the socket, wait 10 seconds and plug it in again securely.
	2. Plug is not working	The plug socket that the microwave is plugged into may have become faulty. Plug the microwave into another known good plug socket, ensure that the socket is turned on and check if the microwave now works.
	3. The plug has a blown fuse or the mains circuit has a blown fuse/tripped fuse	Check the plug for a blown circuit fuse or a tripped main circuit breaker. If these seem to be working properly, test the socket with another appliance.
	4. Microwave has developed a fault	Contact customer services to talk through the problem to see if any solution for the fault can be found. If not and the product is within its warranty period, then the microwave should be returned to the retailer it was purchased from for a replacement or refund.
If the microwave power will not work	1. Door is not closed	Make sure the door is securely closed. Otherwise, the microwave will not engage or operate.
	2. The timer dial has not been turned.	Start the microwave by turning the dial and pressing the start button.
Not heating	Magnetron not working	The component that produces the microwaves is called a magnetron, if food is not being heated or is lukewarm then it is likely this component has developed a fault. If the microwave is within its warranty period, please contact customer services for further advice or take the microwave back to the retailer it was purchased from for a refund or replacement.

PROBLEM SOLVING

Problem	Potential reason	Potential solution	
Sparking	1. Burnt on food debris	<p>Spillages or splashes can burn and catch fire, all food that is put into the microwave should be appropriately covered. All spillages or splashes must be cleaned, and all areas of microwave cleaned after each use.</p> <p>Burnt on food debris in the microwave, on the waveguide and the behind the waveguide can cause the microwave to 'spark'. This is because burnt on debris can be focused on by the microwaves and spark.</p> <p>Microwaves must be thoroughly cleaned after every use to ensure no food is burnt on to any part of the microwave.</p> <p>If the microwave does 'spark' the waveguide must be disposed, the microwave <u>must</u> be cleaned thoroughly and then contact customer services for a replacement waveguide.</p> <p>The replacement waveguide should be fitted and the microwave should operate normally. However, if the microwave 'sparks' again on first use (after the waveguide has been replaced and the microwave cleaned,) please contact customer services for further advice.</p>	
		2. Metal or foil	<p>No metal or foil should be put inside a microwave as it can cause 'sparking' which can damage the microwave.</p> <p>The only metal accessories that should be used inside the microwave are the ones supplied by the manufacturer.</p>
		3. Pressure build up in food	<p>Food with none porous skins (potatoes for example), must be pierced to allow steam to escape. As the build up of pressure can cause food to burst and create a 'fire hazard'.</p>
Heat spots	Operated empty or with no moisture	<p>Microwaves cannot be run empty, microwaves need moisture to operate correctly.</p> <p>If microwaves are operated empty or are used to heat up plates (this is not permitted), the microwaves can focus on a single point inside the microwave. This can cause a heat spot, which can cause the area to become deformed, warped or start to melt.</p> <p>If microwaves are operated empty or to heat up foreign objects this will void the warranty.</p>	

PROBLEM SOLVING

Problem	Potential reason	Potential solution
Condensation or excess water	1. Food that is being cooked	By the very nature of how a microwave works, it 'excites' the water molecules in the food it is heating, causing them to move about and generate heat from within the food. Often when the food heats up it reaches the point where steam is released. Dependant on the food type being heated (and its water content level), the length of time being heated for – and so the amount of steam generated – it is inevitable that some of the steam will condense and form back into water droplets within the microwave cavity. This can usually be found on the inner walls or most commonly on the back of the glass door. If not cleaned up, these droplets can start to form small 'pools' of water.
	2. Cooling vents covered	Cooling vents allow the heat and steam to escape from the microwave. These cannot be covered as it can cause excessive water to settle inside the microwave or the microwave to overheat. The installation instructions in the instruction manual must be followed or the warranty will be void.
Paint damage/peeling	Maintenance	If the microwave is within its warranty period, please contact customer services for further advice or take the microwave back to the retailer it was purchased from for a refund or replacement
Light not working	Bulb not working	Due to the construction of microwaves and certain 'dangerous' components inside, the light bulb can only be changed by a qualified service engineer.
		If the microwave is within its warranty period, please contact customer services for further advice or take the microwave back to the retailer it was purchased from for a refund or replacement
Over heating	Cooling vents covered	Cooling vents allow the heat and steam to escape from the microwave. These cannot be covered as it can cause excessive water to settle inside the microwave or the microwave to overheat.
		The installation instructions in the manual must be followed or the warranty will be void.
Too noisy	1. Glass plate fitted incorrectly	Check that the glass plate has been placed correctly on the glass plate and is not hitting the walls/doors of the microwave during operation.
	2. Dishes/plate are too large for the microwave	Check that the dishes/plates are the correct size for the microwave and that they are not hitting the walls/door of microwave during operation.

PROBLEM SOLVING

Problem	Potential reason	Potential solution
Door not shutting/ locking	1. Glass plate fitted incorrectly	Check that the glass plate has been placed correctly on the glass plate and is not stopping the door from shutting correctly.
	2. Latches have become deformed	If the microwave is within its warranty period, please contact customer services for further advice or take the microwave back to the retailer it was purchased from for a refund or replacement.
glass plate not rotating	1. Glass plate coupling not fitted or tape not removed	Check that the glass plate coupling is fitted correctly and the transportation tape has been removed.
	2. Glass plate roller ring not fitted or fitted incorrectly	Check that the coupling has been placed under the glass plate and that it is positioned correctly.
	3. Glass plate fitted incorrectly	Check that the glass plate has been placed correctly on the glass plate.
	4. Glass plate has developed a fault	If the microwave is within its warranty period, please contact customer services for further advice or take the microwave back to the retailer it was purchased from for a refund or replacement.

GUARANTEE AND CUSTOMER SERVICES

This product is guaranteed for **12 months** from the date of the original purchase. If any defect arises due to faulty materials or workmanship, the faulty product must be returned to the place of purchase. Refund or replacement is at the discretion of the retailer.

The following conditions apply:

- The product must be returned to the retailer with the original proof of purchase.
- The product must be installed and used in accordance with the instructions contained in this instruction guide and any other instructions for use which are supplied.
- It must be used for domestic purposes only and for its intended use.
- This warranty does not cover wear and tear, damage, misuse or consumable parts.

This does not affect your statutory rights.

Customer Services & Spare Parts:

Region	Contact	Website
UK & Northern Ireland	0345 209 7461	mda.russellhobbs.com
Ireland	1 800 938982	ie.mda.russellhobbs.com
Rest of Europe	europe@productcaregroup.com	de.mda.russellhobbs.com fr.mda.russellhobbs.com es.mda.russellhobbs.com it.mda.russellhobbs.com nl.mda.russellhobbs.com

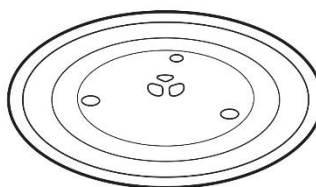
SPARE PARTS

To check the availability of the following spare parts, simply contact our friendly Customer Service team on **0345 209 7461**.

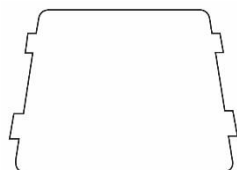
Glass plate support



Glass plate



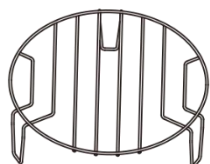
Waveguide cover



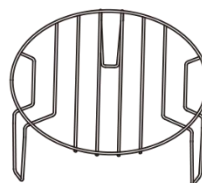
Baking tray



Short grill rack



Tall grill rack



CONNECTION TO THE MAINS SUPPLY

WARNING- THIS APPLIANCE MUST BE EARTHED

This appliance is designed to operate from a mains supply of
230-240V~ 50Hz.

Check that the voltage marked on the product corresponds
with your supply voltage.

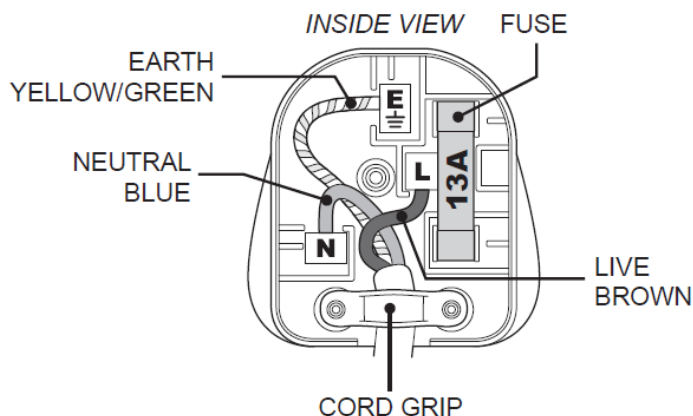
This product is fitted with a 13A plug complying with BS1363.
If this plug is unsuitable or needs to be replaced, refer to customer
services.

Important: The wires in the mains lead are coloured in
accordance with the following code:

GREEN/YELLOW – EARTH

BLUE - NEUTRAL

BROWN – LIVE



CONNECTION TO THE MAINS SUPPLY

For UK use only – PLUG

- As the colours of the wires in the mains lead of this appliance may not correspond with the coloured markings identifying the terminals in your plug, proceed as follows:
- The **GREEN/YELLOW** wire is the EARTH and must be connected to the terminal which is marked with the letter E or by the earth symbol or coloured **GREEN** or **GREEN/YELLOW**.
- The **BLUE** wire is the NEUTRAL and must be connected to the terminal marked with the letter N or coloured **BLACK**.
- The **BROWN** wire is the LIVE wire and must be connected to the terminal marked with the letter L or coloured **RED**.
- **Always ensure that the plug cord grip is fastened correctly.**
- If a 13A (BS1363) fused plug is used it must be fitted with a 13amp fuse conforming to BS1362 and be BSI or ASTA approved.

If the fuse cover is lost the plug must not be used until a replacement is obtained from an electrical supplier.

If you need to remove the plug, cut it from the mains lead and dispose of it. NEVER attempt to re-use this plug or insert it into a socket outlet, as there is a very great risk of electrical shock.

NOTES

NOTES

A large, empty rectangular box with rounded corners, outlined in a thin green border, intended for taking notes.

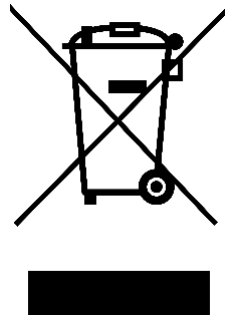
NOTES



Russell Hobbs

Made by Product Care Trading Limited under license from Spectrum Brands (UK) Limited. Product Care Trading Ltd, Unit 1, Green Bank Business Park, Swan Lane, Hindley Green, Wigan, WN2 4AY, United Kingdom / Product Care (Ireland) Ltd, Unit 3D North Point House, North Point Business Park, New Mallow Road, Cork, T23 AT2P, Ireland. Russell Hobbs is the registered trademark of Spectrum Brands (UK) Ltd.

UK
CA



The 'wheelie bin' symbol is known as the 'Crossed-out wheelie bin Symbol'. When this symbol is marked on a product/batteries, it means that the product/batteries should not be disposed of with your general household waste. Only discard electrical/electronic/battery items in separate collection schemes, which cater for the recovery and recycling of materials contained within. Your co-operation is vital to ensure the success of these schemes and for the protection of the environment. For your nearest disposal facility, visit www.recycle-more.co.uk or ask in store for details.

SEDEX – Connecting businesses and their global suppliers to share ethical data and enabling improvement in ethical performance. Visit www.sedex.org.uk for further information.

We reserve the right, due to possible changes to design, to alter the instruction manual without prior notice.

Revision 2.1