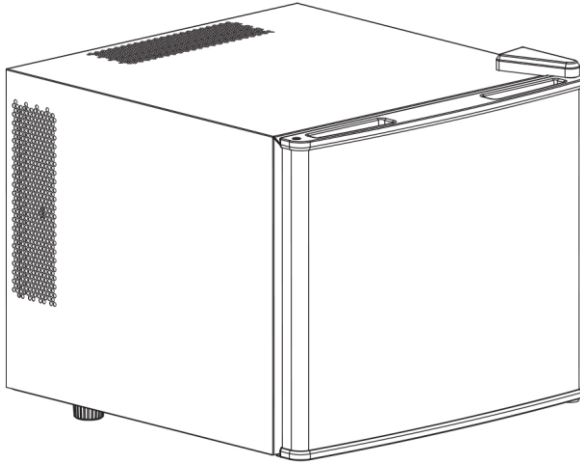




Russell Hobbs

17L Table Top Cooler



**Model number:
RH17CLR1001 (B)**

For Customer Services & Spare Parts please call **0345 208 8750**
or visit us at mda.russellhobbs.com

**IMPORTANT:
RETAIN FOR FUTURE REFERENCE**


Contents


Safety Instructions	3-5
Electrical Safety	5
Transportation and Handling	5
Installing and Switching on Your Appliance	6
Before Switching On	7
Your Appliance & the Compartments	8
Unit & Spare Parts	8
Where to put your appliance	9
Installation	10
Usage Information	11-12
Door Foot Attachment	12
Replacing the Bulb	13
Food Storage Advice	13
Cleaning & Maintenance	14
Defrosting	14
Important Notes	14
Connection to the Mains Supply	15
Troubleshooting	16-17
Guarantee	18
Technical specification	19
Product Fiche	20
Notes	21-23

Safety Instructions

This appliance is a Semi-conductor electric refrigerating appliance, which is a Category 10 other appliance, according to ErP 643/2009. Its design temperature is 17°C.

Important note: Please read this booklet before installing and switching on this appliance. The manufacturer assumes no responsibility for incorrect installation and usage as described in this booklet.

 **Warning:** When positioning the appliance, ensure the supply cord is not trapped or damaged.

 **Warning:** Do not locate multiple portable socket-outlets or portable power suppliers at the rear of the appliance.

- Do not obstruct ventilation openings in the appliance
- The appliance must not be placed or rested on its power cord.
- Do not use mechanical devices or other artificial means to accelerate the defrosting process, such as a heater or a hair dryer.
- Do not use electrical appliances in the appliance compartment of the appliance.
- If this appliance is to replace an old appliance with a lock, the lock must be removed as a safety measure before storing it or disposing of it. This is to protect children from locking themselves inside the appliance.
- Old refrigerators and freezers contain insulation gases and refrigerant, they must be disposed of properly. Contact your local authority or your dealer if you have any questions. Please ensure that you do not damage the scrap unit prior to being picked-up by the relevant waste disposal service.
- Do not use adaptors or extension leads when connecting the appliance to the electrical power supply
- Do not plug in damaged plugs.
- Do not pull, twist or damage the power cable.

- Do not plug-in or un-plug the appliance with wet hands to prevent electrical shock.
- This appliance can be used by children aged from 8 years and above and persons with reduced physical, sensory or mental capabilities or lack of experience and knowledge if they have been given supervision or instruction concerning use of the appliance in a safe way and understand the hazards involved. Children should not play with the appliance.
- Children aged from 3 to 8 years are allowed to load and unload this appliance.
- This appliance is designed to be used by adults, do not allow children to play with the appliance or let them hang over the door.
- Do not place explosive or flammable material in your appliance for your own safety.
- Bottles containing a high percentage of alcohol must be sealed well and placed vertically in the appliance.
- Do not cover the body or the top of the appliance
- Fix down the accessories in the appliance during transportation to prevent damage to them.
- To avoid contamination of food, please respect the following instructions
 - Opening the door for long periods can cause a significant increase of the temperature in the compartments of the appliance.
 - Clean regularly surfaces that can come in contact with food and accessible drainage systems.
 - Clean water tanks if they have not been used for 48h; flush the water system connected to a water supply if water has not been drawn for 5 days.
 - Store raw meat and fish in suitable containers in the appliance, so that it is not in contact with or drip onto other food.
 - Two-star frozen-food compartments(if they are presented in the appliance) are suitable for storing pre-frozen food, storing or making ice-cream and making ice cubes.

- One-, two- and three -star compartments (if they are presented in the appliance) are not suitable for the freezing of fresh food.
- If the appliance is left empty for long periods, switch off, defrost, clean, dry and leave the door open to prevent mould developing within the appliance.

Electrical Safety

THIS APPLIANCE MUST BE PLUGGED INTO AN EARTHED SOCKET

- Before switching on, make sure that the voltage of your electricity supply is the same as that indicated on the rating plate. This product is designed to operate on 220 – 240V AC; 50Hz. Connection to any other power source may damage the unit.
- This product may be fitted with a non re-wireable plug. If it is necessary to change the fuse in the plug, the fuse cover must be refitted. If the fuse cover becomes lost or damaged, the plug must not be used until a suitable replacement is obtained.
- If the plug has to be changed because it is not suitable for your socket, or becomes damaged in any way, it should be cut off and an appropriate plug fitted following the wiring instructions. This should be carried out by a qualified electrician. The plug removed must be disposed of safely, as insertion into a 13 Amp socket is likely to cause an electrical hazard.

Transportation and Handling

For safe lifting, tilt the appliance backwards by no more than 45 degrees, hold the base and rear corners of cabinet. Lift the appliance carefully. Never use the door handles for lifting. To move the appliance on a flat level surface, tilt it slightly backwards and push backwards.

This unit is heavy and could cause injury – ensure there are adequate people present to move the appliance.

Installing and Switching on Your Appliance

- Operating voltage for your appliance is 220-240V at 50Hz.
- Before plugging in the power supply, ensure that the voltage on the rating label corresponds to the working voltage of your electrical system in your home.
- Insert the plug into an efficient Ground (Earth) connection. If the socket has no Ground (Earth) contact or the plug does not match, we suggest you call an authorised electrician for assistance.
- Place your appliance in an area that is not exposed to direct sunlight.
- Your appliance should be placed at least 10cm away from stoves, ovens and other heating cores.
- This appliance should never be used outdoors or left in the rain.
- When your appliance is placed next to a chest freezer or freezer, there should be at least 10cms between them to prevent humidity on the outer surface.
- Do not place anything on your appliance and install the unit in a suitable place so that there is at least 30cm clearance above the appliance.
- If placing your appliance next to kitchen cabinets, leave 5cm between them.
- The rear of the appliance should be at least 6cm away from the back wall.
- The appliance must be used in the vertical position and on a flat surface.
- To level the appliance, use the adjustable feet on the appliance.
- Do not place your appliance on a carpeted surface as this will prevent adequate ventilation.
- This appliance should only be placed on a flat, firm surface.
- Choose a dry and well-ventilated space.
- The appliance should be positioned so that the plug is easily accessible.
- If you need help or are unsure how to install the unit, please contact Customer Services on 0345 208 8750 or visit mda.russellhobbs.com.

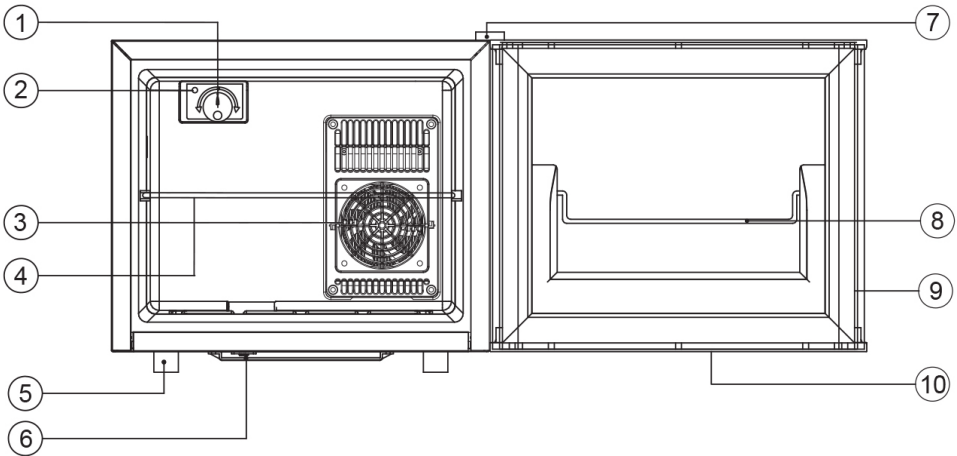


WARNING! During using, service and disposal the appliance, please pay attention to symbol similar to one shown, which is located on rear of appliance (rear panel) and with a yellow or orange colour. It's risk of fire warning symbol. There are flammable materials in appliance. Please be far away fire source during using, service and disposal.

Before Switching On

- Before using your appliance, add a teaspoon of bicarbonate of soda to warm water and with a damp cloth wipe down all parts of the new appliance, then repeat the process with a clean damp cloth and dry. **(ensure the appliance is not connected to the power when performing this task).**
- Remove all transport tapes and foam protection pieces . Clean the interior with a cloth dampened in lukewarm soap and water. Wipe with clean water and wipe dry.
- There may be an odour when you first switch on the appliance, it will disappear when the appliance starts to cool.
- When the appliance has been positioned, adjust the feet to ensure the unit is stable. This is essential to ensure quiet running and proper door opening/closing.
- Connect to the electrical socket set the thermostat to the required setting and switch on the power. The appliance will begin to work. Close the door
- To save energy, you should minimize the frequency and duration of door opening.

Your Appliance and the Compartments



- | | |
|-------------------------|---------------------|
| 1. Temperature dial | 6. Drip tray |
| 2. Light | 7. Door hinge cover |
| 3. Fan | 8. Door shelf |
| 4. Removable wire shelf | 9. Door seal |
| 5. Adjustable feet | 10. Door frame |

Parts may vary according to the appliance model.

Unit & Spare Parts

For spare parts please contact customer service on
0345 208 8750 or visit mda.russellhobbs.com

Item	Quantity
Shelf	1
Instruction Booklet	1

Where to put your appliance

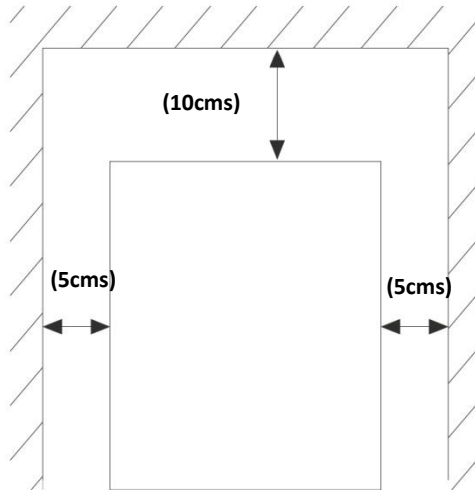
This appliance should only be placed on a flat, solid surface.

Do not place your appliance on a carpeted surface as this will prevent adequate ventilation.

Choose a dry and well-ventilated space. No less than 50mm (5cms) must be left around the sides and 100mm (10cms) around the back of the appliance to allow sufficient cooling.

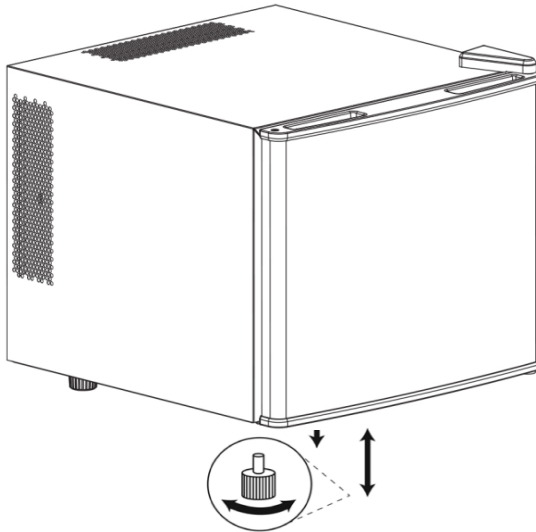
Choose a location away from a heat source, e.g. direct sunlight, a radiator or oven, etc.

The appliance should be positioned so that the plug is easily accessible.



Installation

- The unit should be kept away from direct sunlight.
- Remove all transport tapes and foam protection pieces. Clean the interior of the appliance with a cloth dampened in lukewarm soap and water. Wipe with clear water and wipe dry.
- When the appliance has been positioned, adjust the two front feet to ensure the unit is stable. This is essential to ensure quiet running and proper door opening /closing. See figure below.



- Plug in the cooler and adjust the temperature to the required level by using the temperature adjustment dial as shown on page 8. Close the door.
- Leave the appliance for a minimum of 3 hours for the correct temperature to be reached before placing anything inside.

Usage Information

Thermostat Setting

Note:

The temperature of freshly stored items and how often the door is opened affects the temperature in the compartment. If required, change the temperature setting.

- When you first switch on the appliance, to enable suitable cooling, the appliance should work 24 hours continuously until it cools down to sufficient temperature.
- During this time do not open the door frequently or place a lot of items inside the appliance.
- If the unit is switched off or unplugged, you must allow at least 5 minutes before restarting or reconnecting the unit.
- **Temperature selection** - The temperature of the appliance is controlled manually by the temperature adjustment dial.
- The appliance has a temperature range of 5°C to 14°C, such that 'Low' on the temperature dial is around 5°C.
- Your appliance is designed to operate in the ambient temperature range stated in the associated standards, according to the climate class stated on the information label. We do not recommend operating your mini cooler out of the stated temperatures, as the appliance may not operate to its optimum level. The climate class for this product is SN/N, and will perform best between 10°C and 32°C.

Usage Information

Shelves

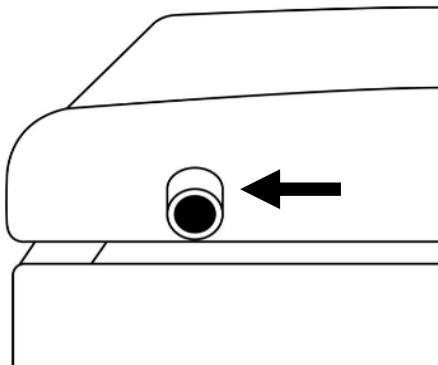
- The wire shelf can be removed to allow for storage of larger items.
- Removing a shelf - Remove all of the items from the shelf that you want to remove. Lift the shelf upwards and then gently pull the shelf away from the appliance.
- Replacing a shelf - Place the shelf back into a supporting guide slot and push it back as far as it will go.

Important: Whilst the appliance can store larger items, you must make sure that they do not prevent the door from shutting properly.

Door Foot Attachment (Optional)

Your appliance has been supplied with an additional foot for the door. If required, you can fit the foot to the door which may provide additional stability.

Insert the foot spindle, turning clockwise until secure.

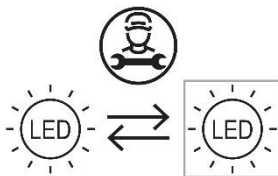


Replacing the Bulb

The light is an energy efficient, long life LED. Therefore should not need replacing throughout the life of the product however if it does it has to be replaced by a qualified engineer.

Please call the service team on **0345 208 8750**.

The following symbol indicates that the light source in this appliance should only be replaced by a qualified engineer:



Food Storage Guidelines

Refrigerator compartments	Type of food
Door or balconies of fridge compartment	Foods with natural preservatives, such as jams, juices, drinks, condiments. Do not store perishable foods.
Crisper drawer (salad drawer)	Fruits, herbs and vegetables should be placed separately in the crisper bin. Do not store bananas, onions, potatoes, garlic in the refrigerator.
Fridge shelf – bottom Chiller (box/drawer)	Raw meat, poultry, fish (for short-term storage)
Fridge shelf – middle	Dairy products, eggs
Fridge shelf – top	Foods that do not need cooking, such as ready-to-eat foods, deli meats, leftovers.
Freezer drawer(s)/shelf	Foods for long-term storage. Bottom drawer/shelf for raw meat, poultry, fish. Middle drawer/shelf for frozen vegetables, chips. Top drawer/shelf for ice cream, frozen fruit, frozen baked goods.

Cleaning and Maintenance

- Disconnect the appliance from the power supply before cleaning.
- Do not pour water directly over or on the appliance.
- The compartment should be cleaned periodically using a solution of bicarbonate of soda and lukewarm water.
- Do not use abrasive products, detergents or soaps. After cleaning wipe down with a damp clean cloth.
- **Note:** Reconnect to the power after you have dried your hands.

Do not use sharp metal tools as it may damage the appliance.

Do not use an electrical heater, this may cause an electric shock.

Defrosting

The cooler will defrost automatically if frost has started to build up.

Important Notes:

- If you do not use your appliance for a long period of time, e.g. when on summer holidays unplug it. Clean and leave the door open to prevent humidity and bad odours.

Connection to the mains supply

For UK use only – Plug fitting details (where applicable):

As the colours of the wires in the mains lead of this appliance may not correspond with the coloured markings identifying the terminals in your plug, proceed as follows:

The GREEN/YELLOW wire is the EARTH and must be connected to the terminal which is marked with the letter E or by the earth symbol or coloured GREEN or GREEN/YELLOW.

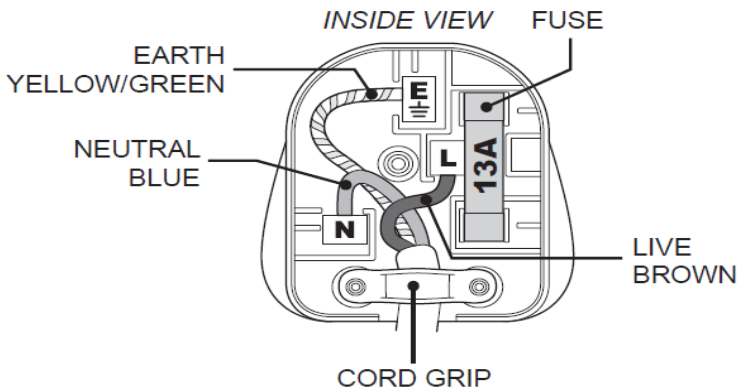
The BLUE wire is the NEUTRAL and must be connected to the terminal marked with the letter N or coloured BLACK. The BROWN wire is the LIVE wire and must be connected to the terminal marked with the letter L or coloured RED.

Always ensure that the plug cord grip is fastened correctly.

If a 13A (BS1363) fused plug is used it must be fitted with a 13amp fuse conforming to BS1362 and be BSI or ASTA approved.



DANGER
Electric
Shock Risk



Troubleshooting

Problem	Solution
The appliance doesn't work	Check that the appliance is switched on.
	Check that there has not been a power cut.
	Check that the plug is not faulty.
	Check that the fuse has not blown.
	Check that the voltage is correct for the appliance.
The temperature inside the appliance is not cold enough	Check that the appliance is not overfilled.
	Check that the temperature is set to a suitable temperature.
	Check that the appliance is not placed in direct sunlight, or too near to a heating source.
	Check that the ambient temperature is within the operation limits of the appliance.
	Opening the doors frequently will also reduce the temperature within the appliance.
	Check that the door has not been left open or check that the door gasket is clean and undamaged.
The temperature within the appliance is too cold.	Increase the working temperature
The inner surfaces of the appliance are wet	Caused by condensation - dry the inside of the appliance.
The outer surfaces of the appliance are wet	Caused by condensation - dry the outer of the appliance carefully.
Unusual noises	Check that the appliance is on a flat, level surface and is stable. Try adjusting the feet if not level.
	Check the spacing's around the appliance and ensure it is not touching other items.

Troubleshooting

Problem	Solution
Smell/odour	Check that nothing has leaked or any stagnant liquid is at the bottom of the appliance. Clean if required.

Guarantee

This product is guaranteed for 12 months from the date of the original purchase. If any defect arises due to faulty materials or workmanship the faulty product must be returned to the place of purchase.

Refund or replacement is at the discretion of the retailer.

The following conditions apply:

- The product must be returned to the retailer with the original proof of purchase.
- The product must be installed and used in accordance with the instructions contained in this instruction guide and any other instructions for use which have been supplied.
- It must be used for domestic purposes only and for its intended use.
- This warranty does not cover wear and tear, damage, misuse or consumable parts.

This does not affect your statutory rights.

Technical Specification

Model number	RH17CLR1001 (B)
Rated Voltage	220-240V/50Hz
Net capacity (litres)	17 litres
Dimensions (CMs):	(H)36.0 x (W)38.5 x (D)41.5

Product Fiche

Model	RH17CLR1001 (B)
Fresh Food Storage Compartment Volume (L)	N/A
Frozen Food Storage Volume (L)	N/A
Storage Temperature (°C)	5 – 14
Energy Consumption (kWh/per year)	182
Energy Consumption (kWh/per year), based on standard test results for 24 hours	
Energy Rating	G
Light Energy Efficiency Class	Exempt
The light source in this appliance should only be replaced by a qualified engineer	
Defrosting Type	Static
Climate Class	SN/N
This appliance is intended to be used at an ambient temperature between 10°C and 32°C	
Airborne Acoustical Noise (dB)	26
Temperature Rise Time	N/A
Freezing Capacity	N/A
Compartment Humidity Level	50-80%
Rated voltage	220- 240V~ / 50Hz
Rated Current	0.5A
Product Dimensions CMs (H x W x D)	36.0 x 38.5 x 41.5
Total Storage Volume (L)	17
Wine Bottle Capacity	N/A
This appliance is intended to be used exclusively for the storage of wine	No
Built in appliance	No
Net Weight (KG)	7.5

Class	Symbol	Ambient temperature range (°C)	Information
Extended temperate	SN	+10 to +32	Extended temperate: 'this refrigerating appliance is intended to be used at ambient temperatures ranging from 10°C to 32°C;
Temperate	N	+16 to +32	Temperate: 'this refrigerating appliance is intended to be used at ambient temperatures ranging from 16°C to 32°C;
Subtropical	ST	+16 to + 38	Subtropical: 'this refrigerating appliance is intended to be used at ambient temperatures ranging from 16°C to 38°C;
Tropical	T	+16 to+ 43	Tropical: 'this refrigerating appliance is intended to be used at ambient temperatures ranging from 16°C to 43°C;

Notes

Notes

Notes

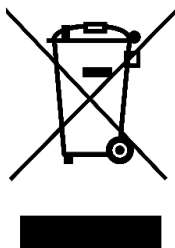


Russell Hobbs

Russell Hobbs is a registered trademark used under license from Spectrum Brands (UK) Ltd. Made under license by Product Care Trading Limited, Wigan, WN2 4AY/ PCT (NI) Ltd, Belfast, BT5 5AD

Russell Hobbs Support: call **0345 208 8750** or visit: mda.russellhobbs.com

**UK
CA**



The 'wheelee bin' symbol is known as the 'Crossed-out wheelee bin Symbol'.

When this symbol is marked on a product/batteries, it means that the product/batteries should not be disposed of with your general household waste. Only discard electrical/electronic/battery items in separate collection schemes, which cater for the recovery and recycling of materials contained within. Your co-operation is vital to ensure the success of these schemes and for the protection of the environment. For your nearest disposal facility, visit www.recycle-more.co.uk or ask in store for details.

SEDEX – Connecting businesses and their global suppliers to share ethical data and enabling improvement in ethical performance. Visit www.sedex.org.uk for further information.

We reserve the right, due to possible changes to design, to alter the instruction manual without prior notice.