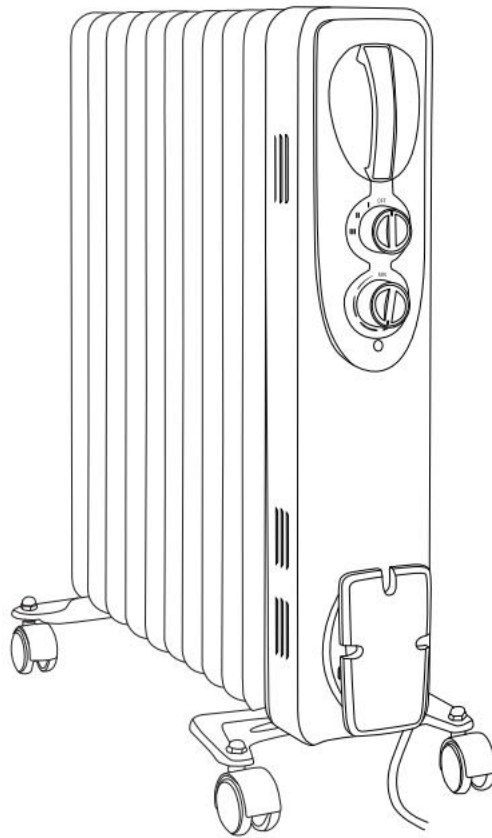




# Russell Hobbs

## Oil Filled Radiator



**Model Number:  
RHOFR1106 (B)2500W  
220-240V AC 50Hz/60Hz**

This product is only suitable for well insulated spaces or occasional use

**PLEASE RETAIN  
FOR FUTURE REFERENCE**

# CONTENTS

	<b>Page(s)</b>
Unpacking your appliance	<b>3</b>
Safety Instructions	<b>3-6</b>
Feature Diagram	<b>7</b>
Base Assembly	<b>8</b>
Using your Oil Filled Radiator	<b>9 - 11</b>
Cleaning and Care	<b>12</b>
Problem Solving	<b>13</b>
Guarantee and Customer Services	<b>14</b>
Spare Parts	<b>15</b>
Connection to the Mains Supply	<b>16</b>
Specification	<b>17</b>
Notes	<b>18-19</b>
Disposal Information	<b>20</b>

# UNPACKING YOUR APPLIANCE

Before you use your appliance

1. Remove all the packaging.
2. Check the appliance after unpacking for any visual damage such as:
  - Misaligned or damaged parts
  - Damage to the controls
  - Damage to the plug or cable
  - If you can see any damage **do not use the appliance**

The appliance should not be used if it has been dropped or there are any visible signs of damage.

This appliance must be placed on a solid stable surface, away from walls, cabinets, furniture, curtains, etc. Position the appliance with minimum spacing of 100cm from the top and sides, front and back.

## SAFETY INSTRUCTIONS

When using electrical appliances, basic safety precautions should always be observed, including the following:

- Read all instructions.
- Check that the mains voltage corresponds with the rating on the appliance.
- The appliance must not be left unattended while it is connected to the mains supply.
- This appliance must be positioned upright on the floor away from curtains, furniture or wall coverings and other flammable items.
- Do not touch hot surfaces. Use the handle or the controls.
- To protect against electrical shock do not immerse cord, plug, or appliance in water or other liquid. Do not operate with wet hands.
- Do not let the cord hang over the edge of a worktop, table etc. or touch hot surfaces.

# SAFETY INSTRUCTIONS

- Do not operate any appliance with a damaged cord or plug, or after the appliance malfunctions or is dropped or damaged in any manner. The supply cord cannot be replaced. If the cord is damaged the appliance should be scrapped.
- The use of accessory attachments not recommended by the appliance manufacturer may cause fire, electric shock or injury.
- This appliance must not be immersed
- To disconnect remove the plug from the mains outlet. Do not pull the plug out by the cord.
- Never remove parts from the appliance, such as the feet, screws and so on.
- Never use the appliance near a bath, shower or a swimming pool.
- Never use the appliance on or near hot surface.
- Never move the appliance by pulling the cord.
- Never place flammable objects or clothing on top of the appliance.
- Never move the heater when it is operating. Turn the heater off before move it.
- Allow at least 15cm safe area around the appliance on the top, at the front and sides to provide good air circulation.
- Prevent overheating of the appliance by keeping the fins clean and free of anything that may cause blockage. Check all fins from time to time for accumulated dust. DO NOT COVER.
- **Warning:** Do not lean, sit or stand on the unit.
- **Note:** There is a protective film of grease/oil on the appliance; this should be wiped away with a damp cloth before use and after initial usage (Ensure you dry the product with a soft cloth or paper towel after it has been wiped).



**WARNING: In order to avoid overheating, do not cover the heater.**

# SAFETY INSTRUCTIONS

- Never use the appliance in a room with explosive gas such as petrol, or while using any kinds of flammable glues, sprays or solvents.
- The appliance must not be used with an extension lead.
- Do not place any part of your body near the fins, to avoid personal injury, electric shock or fire.
- If overheating should occur, the built-in overheating safety device will shut the appliance off.
- Caution: Some parts of this product can become very hot and cause burns. Particular attention must be given when children vulnerable people are present.
- Do not insert any foreign objects into the grill.
- Keep all grills clear of any draped fabric or curtains.
- The appliance must not be located immediately below a mains socket. Do not use the appliance with a programmer, timer or any other device that switches the appliance on automatically. A fire risk exists if the appliance is covered or positioned incorrectly.
- Do not operate this appliance for any thing other than its intended use.
- This appliance is not intended for commercial use
- **This product is intended for household use only.** Do not use outdoors.
- This product is only intended for heating.
- **Warning:** It is hazardous for anyone other than a competent person to carry out any service or repair operation which involves the removal of a cover which gives protection against exposure to electrical parts.
- **Warning:** Children should not use this appliance. Close supervision is necessary when any appliances are used near children.
- This appliance can be used by children aged from 8 years and above and persons with reduced physical, sensory or mental capabilities or lack of experience and knowledge if they have been given supervision or instruction concerning use of the appliance in a safe way and understand the hazards involved. Children shall not play with the appliance. Cleaning and user maintenance shall not be made by children without supervision.
- Children of less than 3 years should be kept away unless continuously supervised.
- Children aged from 3 years and less than 8 years shall only switch on/off the appliance provided that it has been placed or installed in its intended normal operating position and they have been given supervision or instruction concerning use of the appliance in a safe way and understand the hazards involved. Children aged from 3 years and less than 8 years shall not plug in, regulate and clean the appliance or perform user maintenance.

# SAFETY INSTRUCTIONS

- **Warning:** This appliance is not intended for use by persons (including children) with reduced physical, sensory or mental capabilities, or lack of experience and knowledge, unless they have been given supervision or instruction concerning use of the appliance by a person responsible for their safety. Children should be supervised to make sure that they do not play with the appliance.
- This heater is filled with a precise quantity of special oil. Repairs requiring opening of oil-container are only to be made by the manufacturer or his service agent who should be contacted if there is an oil leak. When scrapping the heater, follow the regulations concerning the disposal of oil.
- Use this heater on a horizontal and stable surface, or fix it to the wall, as applicable.
- **Warning:** Do not use this heater in small rooms when they are occupied by persons not capable of leaving the room on their own, unless constant supervision is present.
- **Warning:** To reduce the risk of fire, keep textiles, curtains, or any other flammable material a minimum distance of 1 metre from the air outlet.

## Electrical Safety

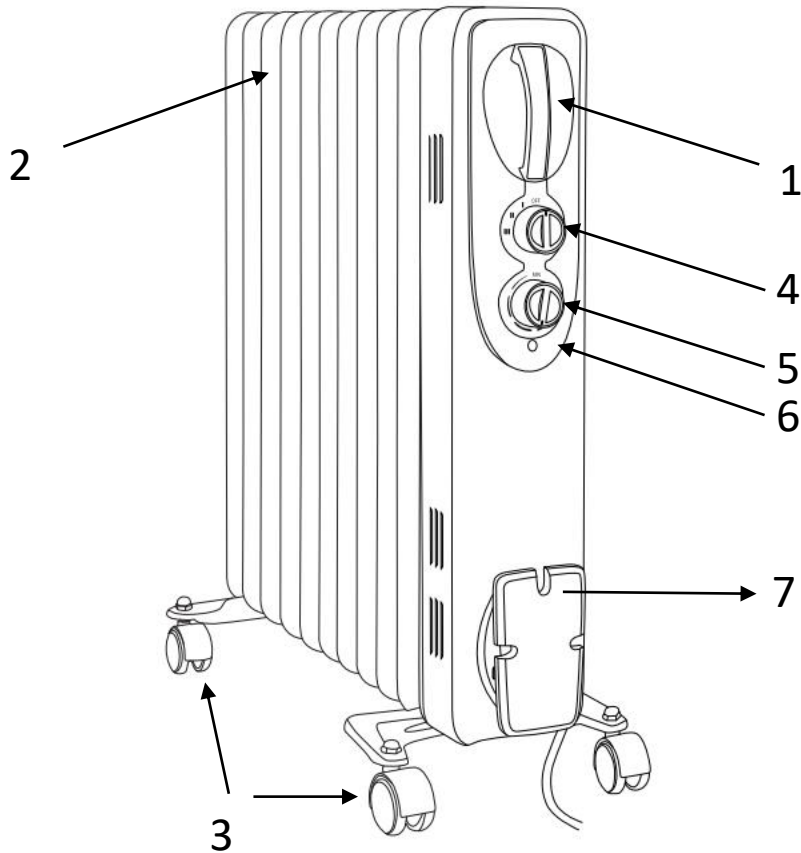
### **THIS APPLIANCE MUST BE PLUGGED INTO AN EARTHED SOCKET**

- Before switching on, make sure that the voltage of your electricity supply is the same as that indicated on the rating plate. This product is designed to operate on 220 – 240V AC; 50Hz/60Hz. Connection to any other power source may damage the unit.
- This product may be fitted with a non re-wireable plug. If it is necessary to change the fuse in the plug, the fuse cover must be refitted. If the fuse cover becomes lost or damaged, the plug must not be used until a suitable replacement is obtained.
- If the plug has to be changed because it is not suitable for your socket, or becomes damaged in any way, it should be cut off and an appropriate plug fitted. This should be carried out by a qualified electrician. The plug removed must be disposed of safely, as insertion into a 13 Amp socket is likely to cause an electrical hazard.

## Oil Safety

- This heater is filled with a precise quantity of special oil. Repairs requiring opening of oil-container are only to be made by the manufacturer or his service agent who should be contacted in the unlikely event of an oil leak.
- When disposing of the heater, follow the regulations concerning the disposal of oil.

# FEATURE DIAGRAM



1. Handle

2. Fins

3. Castors/Wheels

4. Power/heat setting  
switches

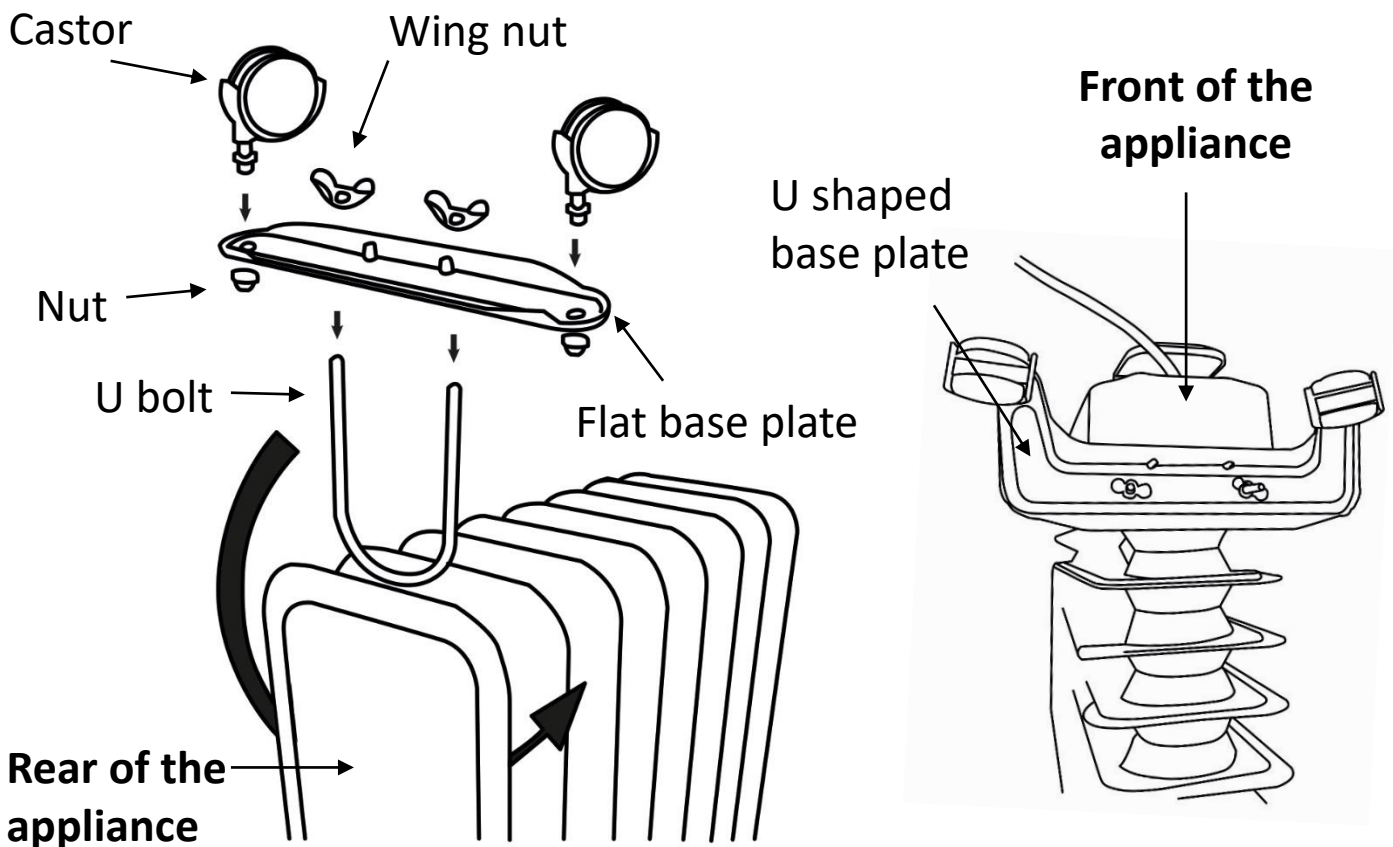
5. Thermostat control

6. Thermostat indicator light

7. Power cable storage

# BASE ASSEMBLY

1. Attach the castors to the base plate and secure using the 4 x nuts supplied.
2. Then turn the heater upside down and position between the end fins.
3. Attach the base plates by hooking the 2 x U-bolts through the fins and securing with the 4 x wing nuts.
4. Once secure, turn the radiator round so that it is sitting on the wheels.



# USING YOUR OIL FILLED RADIATOR

1. Before connecting your appliance to the mains socket, position the appliance upright on the floor, at least 90cm away from the wall, away from curtains, furniture or wall coverings.
2. Insert the mains plug into a suitable 13 amp mains socket.
3. Turn the Power Control to the 'I', 'II' or 'III' position. The appliance has 3 power settings.

Power	Control	Position	RHOFR1106/B
OFF	Power	OFF	OFF
I	Low heat	ON	1kw
II	Medium heat	ON	1.5kW
III	High heat	ON	2.5kW

4. Turn the Thermostat Control to the desired position. It is recommended to select the highest position to pre heat the appliance. It will take 5 -10 minutes for the appliance to fully heat up, the time taken for the heater to heat the room it is located in will be dependent on the size of the room and the ambient temperature of the room. The indicator light will illuminate when the unit is working, but the light will cycle on and off when the thermostat control is set on a low setting and the heater is then maintaining the room temperature.

**Note:** this appliance will not operate if the thermostat has been set too low.

**Note:** If the thermostat dial is set toward the maximum setting and the power control is set to off then the indicator light will stay illuminated. No heat will be emitted as the power to the heating elements is off.

# USING YOUR OIL FILLED RADIATOR

**Note:** this appliance will not operate if is not placed on a stable surface.

5. When the room reaches the desired temperature, the radiator will cycle off and turn on again when the temperature drops.
6. If the room temperature falls below the desired temperature, the heating elements will turn on again until the room temperature reaches the desired temperature.

**Note:** this radiator is oil filled, and will cool down slowly after the power is shut off. Allow the radiator heater to cool prior to any movement, the built in carry handle should be used for easy movement.

**Safety Protective Devices** - The appliance is fitted with an over heat and tip over protection system.

1. Overheat protection - the power to the heating elements will automatically cut off if the temperature of the heating elements exceeds a certain limit. In the event of overheating, the heater will stop operating. Once the appliance has completely cooled the appliance will then resume operating as normal.
2. Tip Over Switch - The unit needs to be placed on a flat, firm and stable surface to ensure that the appliance contacts the floor firmly and internal tip over switch is level. If in the event that the unit tips over or is placed on an uneven or super very surface the appliance will not operate.

# **USING YOUR OIL FILLED RADIATOR**

## **POWER CABLE STORAGE**

When the appliance is not in use wrap the power cord around the storage hook to keep your appliance tidy and easy to store away.

The power cord must be completely unwrapped when plugged into the plug socket or in use.

# CLEANING AND CARE

## **WARNING: Electrical Shock Hazard.**

Before you clean the appliance, disconnect the mains plug from the wall socket.

- Allow the appliance to cool down completely before cleaning.
- Do not immerse cord, plug or appliance in any liquid or allow moisture to come into contact with electrical parts.
- Clean the outer surface using a moist cloth and wipe over with a dry, soft cloth.
- Do not use harsh detergents, abrasives or spray on cleaners.
- Don't allow water to seep into the openings or come into contact with electrical connections.
- Allow sufficient drying time before operating again.
- Clean the air inlets and outlets regularly with a vacuum cleaner using the brush attachment (with regular use, at least twice a year).
- When the appliance is not in use. We recommend that, the heater is re-packed in its original packaging and stored in a cool, dry place.

# **PROBLEM SOLVING**

## **My appliance does not work when I turn it on:**

1. Check that your appliance is plugged in and the power is turned on at the mains socket.
2. Try another mains socket.
3. Check the appliance is in an upright position.
4. Check that the thermostat setting has not been set too low.
5. Check if the Overheat protection has operated by leaving the appliance plugged un and giving it time to cool down. The heater should start to resume operating normally.
6. If the appliance still doesn't work, do not try to repair it yourself.

## **If your appliance power is automatically cut off, follow the step below:**

1. Unplug your appliance from the mains socket and allow it to completely cool down.
2. Inspect your appliance. Clean the air inlet and air outlet with a vacuum cleaner if necessary. If there are any signs of physical damage (e.g. melting, or burning of the case), do not attempt to use the appliance. Please leave all maintenance work to qualified personnel.
3. Plug in the appliance and switch it on again. If it cuts off again, move the appliance to a better ventilated location.

# GUARANTEE AND CUSTOMER SERVICES

This product is guaranteed for **12 months** from the date of the original purchase. If any defect arises due to faulty materials or workmanship, the faulty product must be returned to the place of purchase. Refund or replacement is at the discretion of the retailer.

## **The following conditions apply:**

- The product must be returned to the retailer with the original proof of purchase.
- The product must be installed and used in accordance with the instructions contained in this instruction guide and any other instructions for use which are supplied.
- It must be used for domestic purposes only and for its intended use.
- This warranty does not cover wear and tear, damage, misuse or consumable parts.

**This does not affect your statutory rights.**

## Customer Services & Spare Parts:

<b>Region</b>	<b>Contact</b>	<b>Website</b>
UK & Northern Ireland	0345 209 7461	mda.russellhobbs.com
Ireland	1 800 938982	ie.mda.russellhobbs.com
Rest of Europe	europe@productcaregroup.com	de.mda.russellhobbs.com fr.mda.russellhobbs.com es.mda.russellhobbs.com it.mda.russellhobbs.com nl.mda.russellhobbs.com

# **SPARE PARTS**

To check the availability of the following spare parts, simply contact our friendly Customer Services team using the details provided on the previous page.

Castors  
U-bolts  
Base Plate

# CONNECTION TO THE MAINS SUPPLY

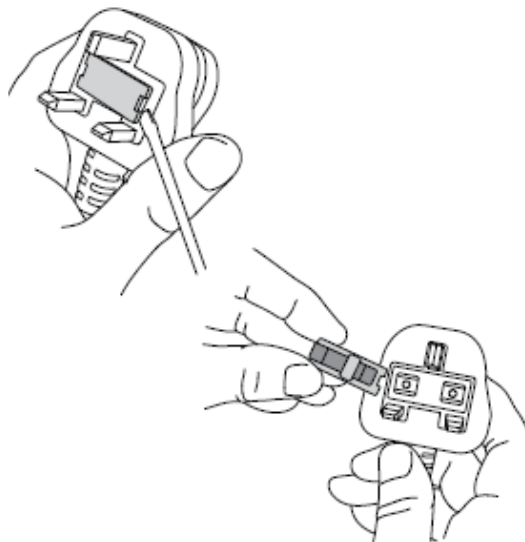
This appliance is designed to operate from a mains supply of 220-240V~50Hz/60Hz

Check that the voltage marked on the product corresponds with your supply voltage.

## **How to change the fuse**

1. Slot the end of a screwdriver into the recess in the fuse holder of the plug.
2. Pull the fuse holder upwards until free of the plug and slide the fuse out.
3. Replace the fuse and replace fuse holder, pushing down until locked into place.

**Important:** Only ever use a 13 amp fuse.



# SPECIFICATION

Model number RHOFR1106 (B)  
 Rated voltage 220V - 240V ~ 50Hz/60Hz  
 Power consumption 2500W  
 Product dimensions (CMS) (H)62.5 x (W)24 x (D)48

Model number				RHOFR1106 (B)	
Item	Symbol	Value	Unit	Item	Unit
<b>Heat output</b>				<b>Type of heat input, for electric storage local space heaters only</b>	
Nominal heat output	$P_{nom}$	0.9376	kW	manual heat charge control, with integrated thermostat	No
Minimum heatoutput (indicative)	$P_{min}$	0.5545	kW	manual heat charge control with room and/or outdoor temperature feedback	No
Maximum continuous heat output	$P_{max,c}$	0.9376	kW	electronic heat charge control with room and/or outdoor temperature feedback	No
				fan assisted heat output	No
<b>Auxiliary electricity consumption</b>				<b>Type of heat output/room temperature control</b>	
At nominal heat output	$e_{lmax}$	0.000	kW	single stage heat output and no room temperature control	No
At minimum heat output	$e_{lmin}$	0.000	kW	Two or more manual stages, no room temperature control	No
In standby mode	$e_{lSB}$	0.000	kW	with mechanic thermostat room temperature control	Yes
				with electronic room temperature control	No
				electronic room temperature control plus day timer	No
				electronic room temperature control plus week timer	No
				<b>Other control options (multiple selections possible)</b>	
				room temperature control, with presence detection	No
				room temperature control, with open windowdetection	No
				with distance control option	No
				with adaptive start control	No
				with working time limitation	No
				with black bulb sensor	No
Contact details	Product Care Trading Ltd, Unit 1 Green Bank Business Park, Swan Lane, Hindley Green, Wigan, WN2 4AY, United Kingdom				
	Product Care (Ireland) Ltd, Unit 3D North Point House, North Point Business Park, New Mallow Road, Cork, T23 AT2P, Ireland				

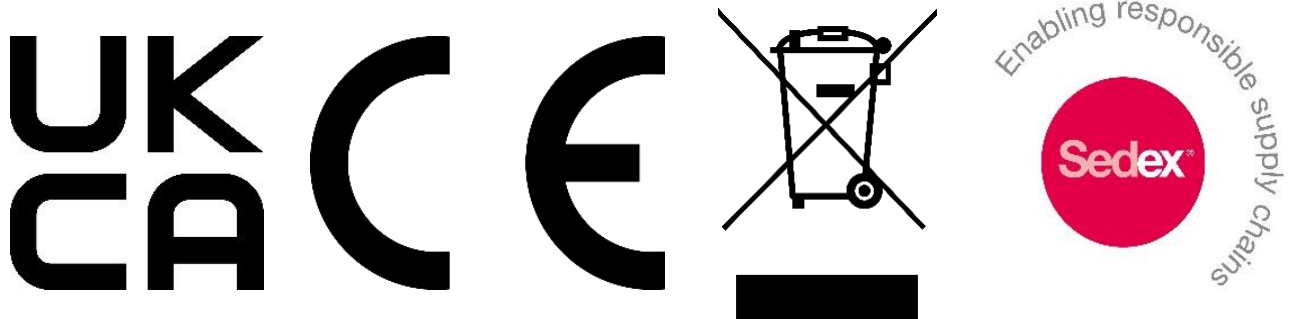
# NOTES

# NOTES



# Russell Hobbs

Made by Product Care Trading Limited under license from Spectrum Brands (UK) Limited. Product Care Trading Ltd, Unit 1 Green Bank Business Park, Swan Lane, Hindley Green, Wigan, WN2 4AY, United Kingdom / Product Care (Ireland) Ltd, Unit 3D North Point House, North Point Business Park, New Mallow Road, Cork, T23 AT2P, Ireland. Russell Hobbs is the registered trademark of Spectrum Brands (UK) Ltd.



The 'wheeie bin' symbol is known as the 'Crossed-out wheeie bin Symbol'.

When this symbol is marked on a product/batteries, it means that the product/batteries should not be disposed of with your general household waste. Only discard electrical/electronic/battery items in separate collection schemes, which cater for the recovery and recycling of materials contained within. Your co-operation is vital to ensure the success of these schemes and for the protection of the environment. For your nearest disposal facility, visit [www.recycle-more.co.uk](http://www.recycle-more.co.uk) or ask in store for details.

SEDEX – Connecting businesses and their global suppliers to share ethical data and enabling improvement in ethical performance. Visit [www.sedex.org.uk](http://www.sedex.org.uk) for further information.

We reserve the right, due to possible changes to design, to alter the instruction manual without prior notice.

Revision 1.6