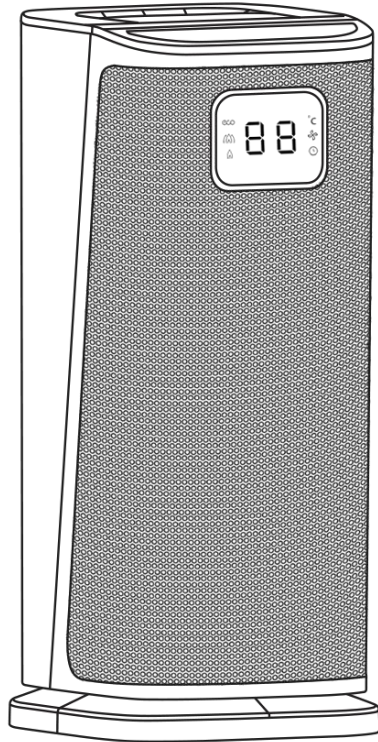


abode

Oscillating Ceramic Heater



Model Number:

ACTH2005

220-240V AC 50-60Hz 2000W

This product is only suitable for well insulated spaces or occasional use

PLEASE RETAIN
FOR FUTURE REFERENCE

CONTENTS

Section	Page Number
Safety Instructions	3 - 5
Electrical Safety Instructions	6
Battery Replacement Information	7
Product Overview	8
Control Panel and Remote	9
Operations and Functions	10 - 13
Cleaning and Care	14
Problem Solving	15
Guarantee and Customer Services	16
Connection to the Mains Supply	17
Specification	18 - 19
Disposable Information	20

SAFETY INSTRUCTIONS

When using electrical appliances, basic safety precautions should always be observed, including the following:

- Read all instructions.
- Check that your mains voltage corresponds with the rating on the appliance.
- The appliance must not be left unattended while it is connected to the mains supply.
- This appliance must be positioned upright on the floor away from curtains, furniture or wall coverings and other flammable items.
- Do not touch hot surfaces. Use the handle at the back of the heater.
- To protect against electrical shock do not immerse cord, plug, or appliance in water or other liquid. Do not operate with wet hands.
- Do not let the cord hang over the edge of a worktop, table etc. or touch hot surfaces.
- Do not operate any appliance with a damaged cord or plug, or after the appliance malfunctions or is dropped or damaged in any manner. The supply cord cannot be replaced. If the cord is damaged the appliance should be scrapped.
- The use of accessory attachments not recommended by the appliance manufacturer may cause fire, electric shock or injury.
- To disconnect remove the plug from the mains outlet. Do not pull the plug out by the cord.
- Never remove parts from the appliance, such as the feet, screws.
- This appliance must never be immersed in water. Never use the appliance near a bath, shower or a swimming pool.
- Never use the appliance on or near hot surface.
- Never place flammable objects or clothing on top of the appliance.
- Allow at least 15cm safe area around the appliance on the top, at the front and sides to provide good air circulation.
- Prevent overheating of the appliance by keeping the air inlets and outlets clean and free of anything that may cause blockage. Check all inlets and outlets from time to time for accumulated dust.

SAFETY INSTRUCTIONS

- This heater draws 12.5 amps during operation. To prevent overloading a circuit, do not plug the heater into a circuit that already has other high consumption appliances working.
- Never move the heater when it is operating. Turn the heater off before move it. Never move the appliance by pulling the cord.
- Never use the appliance in a room with explosive gas such as petrol, or while using any kinds of flammable glues, sprays or solvents.
- The appliance must not be used with an extension lead.
- Do not place any part of your body near the air inlet, outlet or on the fins ,to avoid personal injury, electric shock or fire.
- If overheating should occur, the built-in overheating safety device will shut the appliance off.
- Caution: Some parts of this product can become very hot and cause burns. Particular attention must be given when children vulnerable people are present.
- Do not insert any foreign objects into the ventilation or exhaust opening as this may cause an electric shock or fire or damage the heater.
- Keep all grills clear of any draped fabric or curtains.
- The appliance must not be located immediately below a mains socket. Do not use the appliance with a programmer, timer or any other device that switches the appliance on automatically. A fire risk exists if the appliance is covered or positioned incorrectly.
- Do not operate this appliance for any thing other than its intended use.
- This appliance is not intended for commercial use
- **This product is intended for household use only.** Do not use outdoors.
- This product is only intended for heating.
- **Warning:** It is hazardous for anyone other than a competent person to carry out any service or repair operation which involves the removal of a cover which gives protection against exposure to electrical parts.



This symbol means "DO NOT COVER"

SAFETY INSTRUCTIONS

- **Warning:** Children should not use this appliance. Close supervision is necessary when any appliances are used near children.
- This appliance can be used by children aged from 8 years and above and persons with reduced physical, sensory or mental capabilities or lack of experience and knowledge if they have been given supervision or instruction concerning use of the appliance in a safe way and understand the hazards involved. Children shall not play with the appliance. Cleaning and user maintenance shall not be made by children without supervision.
- Children of less than 3 years should be kept away unless continuously supervised.
- Children aged from 3 years and less than 8 years shall only switch on/off the appliance provided that it has been placed or installed in its intended normal operating position and they have been given supervision or instruction concerning use of the appliance in a safe way and understand the hazards involved. Children aged from 3 years and less than 8 years shall not plug in, regulate and clean the appliance or perform user maintenance.
- **WARNING:** This appliance is not intended for use by persons (including children) with reduced physical, sensory or mental capabilities, or lack of experience and knowledge, unless they have been given supervision or instruction concerning use of the appliance by a person responsible for their safety. Children should be supervised to make sure that they do not play with the appliance.
- Do not use this heater if it has been dropped.
- Do not use if there are visible signs of damage to the heater.
- Use this heater on a horizontal and stable surface, or fix it to the wall, as applicable.
- **WARNING:** Do not use this heater in small rooms when they are occupied by persons not capable of leaving the room on their own, unless constant supervision is provided.
- **WARNING:** To reduce the risk of fire, keep textiles, curtains, or any other flammable material a minimum distance of 1 m from the air outlet.

ELECTRICAL SAFETY

- Before switching on, make sure that the voltage of your electricity supply is the same as that indicated on the rating plate. This product is designed to operate on 220 – 240V AC; 50/60Hz. Connection to any other power source may damage the unit.
- This product may be fitted with a non re-wireable plug. If it is necessary to change the fuse in the plug, the fuse cover must be refitted. If the fuse cover becomes lost or damaged, the plug must not be used until a suitable replacement is obtained.
- If the plug has to be changed because it is not suitable for your socket, or becomes damaged in any way, it should be cut off and an appropriate plug fitted. This should be carried out by a qualified electrician. The plug removed must be disposed of safely, as insertion into a socket is likely to cause an electrical hazard.
- If the power cord is damaged, it must be replaced by the manufacturer, its service agent or similarly qualified persons in order to avoid a hazard.

BATTERY REPLACEMENT INFORMATION

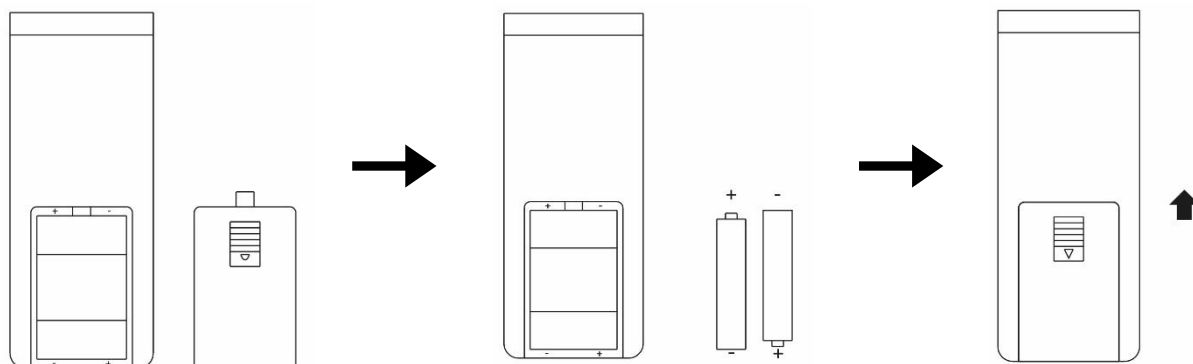
This appliance comes with 2 AAA (1.5V) batteries which are to be fitted into the remote.



CAUTION: Batteries are a chemical burn and choking hazard. Keep batteries away from children.

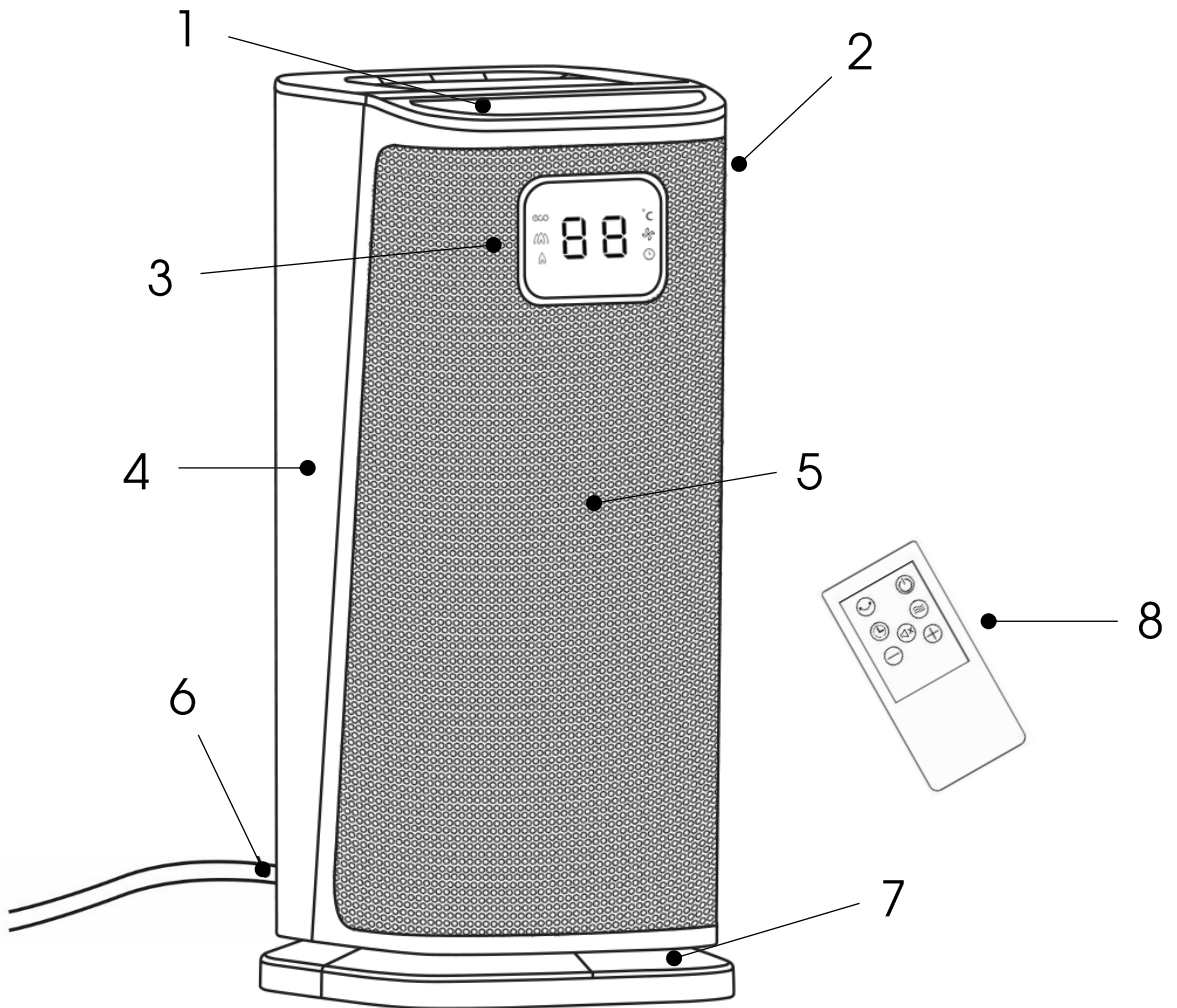
- Ensure that the battery compartment is always completely secure. If the battery compartment does not close securely, stop using the remote, remove the batteries, and keep it away from children.
- If you think batteries might have been swallowed or placed inside any part of the body, seek immediate medical attention. Dispose of cells properly and keep away from children. Even used cells may cause injury.
- Please dispose of or recycle the remote control batteries according to municipal or provincial laws.

To place the batteries into the remote/replace the batteries please follow the instructions below:



1. Remove the cover from the back of the remote.
2. Insert 2 AAA (1.5V) batteries as shown above.
3. Replace the cover onto the back of the remote.

PRODUCT OVERVIEW



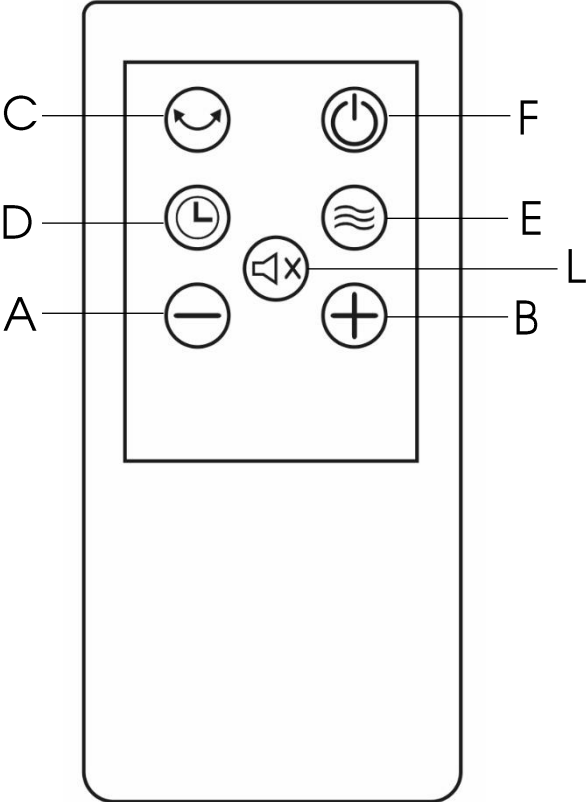
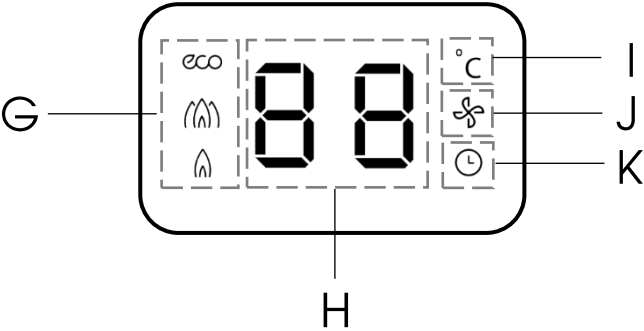
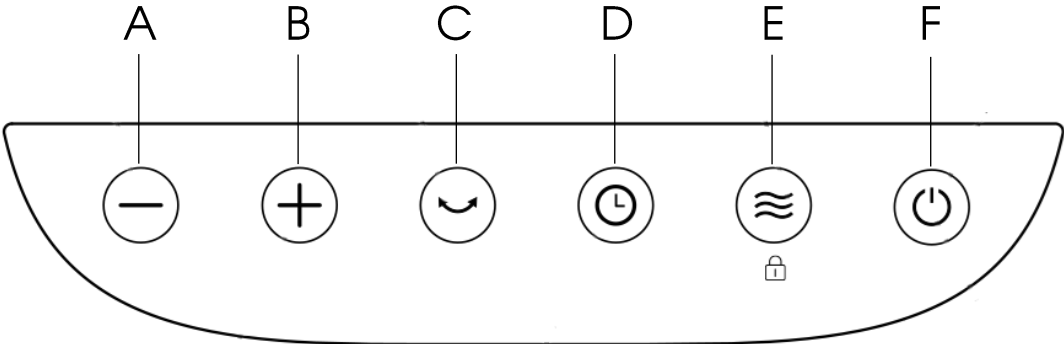
- 1. Control panel
- 2. Handle (at the rear)
- 3. LED display
- 4. Rear panel cover

- 5. Front panel (Air outlet)
- 6. Power cord and plug
- 7. Base
- 8. Remote control



WARNING: In order to avoid overheating, do not cover the heater.

CONTROL PANEL & REMOTE



- A. Temperature/timer decrease button
- B. Temperature/timer increase button
- C. Oscillation button
- D. Auto ON/OFF timer button
- E. Mode/heat level button
- F. Power ON/OFF button
- G. Mode/heat level display light
- H. Digit display light
- I. Temperature display light
- J. Fan only mode display light
- K. Timer display light
- L. Mute/unmute button

OPERATIONS AND FUNCTIONS

Before connecting your appliance to the mains socket, position the appliance upright on the floor, at least 90cm away from the wall, curtains, furniture or wall coverings. Insert the mains plug into a suitable wall mains socket. The unit will then enter standby mode, as shown with a beep and the power indicator lit up in red. Your heater is now ready for use.



Power On/Off Button

- Press the “**Power On/Off**” button on the appliance/remote control once to turn the heater on with default settings: High mode and a temperature setting of 35° C.
- Press the “**Power On/Off**” button again to turn off the heater. If the display has turned off, press the button twice to turn the heater off. If the heater has been operating it will take 15 seconds for the heater to shut off, with the countdown time shown on the display.



Mode/Heat Level + Child Lock (3 second press) Button

- When the unit is on, repeatedly press the “**Mode/Heat Level**” button on the appliance/remote control to cycle through the modes: High (🔥) -> Low (🔥) -> Fan Only (🌀) -> ECO (eco).
- When “**ECO**” mode is turned on, the heater will adjust between the “**High**” and “**Low**” modes automatically based on the ambient temperature.
- The temperature can be set and adjusted on “**High**”, “**Low**”, and “**ECO**” mode,
- When the set temperature is reached, the display will flash and the heater will stop working. When the ambient temperature is lower than the set temperature, the heater will start working again.

OPERATIONS AND FUNCTIONS

- Hold the “**Mode/Heat Level**” button for 3 seconds to turn the Child Lock function on/off; None of the buttons will work with this function. The appliance will beep twice to confirm that the Child Lock function is enabled or disabled.



Adjustment Buttons



- When the unit is on, press the “+” or “-” buttons on the appliance/remote control to adjust the temperature from 5 to 36° C in 1° C increments. If you rapidly press or hold down the “+” or “-” buttons, the temperature will change rapidly.
- The adjustment buttons can also be used to adjust the timer, as described below.



Auto ON/OFF Timer Button

- To set the timer for the appliance to automatically turn off, follow the below: When the unit is powered on, first press the “**Auto ON/OFF Timer**” button, and then use the “+” or “-” buttons on the appliance/remote control to adjust the hours on the timer. The timer will cycle through 00, 01, 02... up to 24 hours. If you rapidly press or hold down the “+” or “-” buttons, the temperature will change rapidly.
- Once the timer has been set, the display will show the set temperature and timer alternately every 10-20 seconds. After that, if no other button has been pressed then just the power indicator and timer icon will remain lit. Press any button to reactivate the display.
- When the time is up, the appliance will automatically stop running.
- The timer can also be set to turn the appliance on by following the instructions on the following page:

OPERATIONS AND FUNCTIONS

- Plug the appliance in and while it is in stand-by mode, follow the same instructions as on the previous page on how to set the timer.
- Once set, the timer symbol and the power indicator will be lit. When the time is up, the appliance will automatically turn on.
- To cancel the timer setting, press the “**Auto ON/OFF Timer**” button on the heater and the timer indicator light will flash. If the display has turned off, press the button twice.
- Then press the “**Auto ON/OFF Timer**” button again and the timer setting will adjust to “00” hours.
- When the heater has been working for 24 hours continuously without any operations being changed/adjusted, it will automatically shut off.
- To turn off the auto shut off function, touch the “**Auto ON/OFF Timer**” button for 3 seconds; the appliance will beep twice and the auto off function is now off.
- To turn the auto off function back on, touch the “**Auto ON/OFF Timer**” button for 3 seconds; the appliance will beep twice and the auto off function is now on.
- **NOTE:** Once the heater is turned off at the mains/unplugged, this will reset and the auto shut off function will again be turned on.



Oscillation Button

- When the appliance is turned on press the “**Oscillation**” button on the appliance/remote control once to start the oscillating.
- When the unit is working and no button is touched for 30 seconds, the display turns off automatically.
- If you would like to keep the display on permanently, touch the “**Oscillation**” button on the appliance for 3 seconds. The appliance will beep twice and the display will be turned on permanently.

OPERATIONS AND FUNCTIONS

- If you would like the appliance to regain its auto-off display function, touch the “**Oscillation**” button on the appliance again for 3 seconds.

Remote Control Buttons

The buttons on the remote control work the same as the ones on the appliance, except for the child-lock function, 24 hour auto shut off cancellation, display-off cancellation function.

The remote also features a mute button.



Mute Button

- When the appliance is turned on press the “**Mute**” button on the remote control once to turn off the buzzer.
- Press the “**Mute**” button again to turn back on the buzzer.

PLEASE NOTE: Once the appliance has been in use, if there is no operation within 30 seconds, then the display will automatically turn off. To wake the appliance up press any button.

Other Functions

Memory Function - If the heater is turned off then on again, it will resume operation in the mode it was in before it was turned off. If the heater is unplugged then plugged back in again, it will default to the original settings.

Tip-Over Protection - When the heater is tipped over, the heater will automatically shut off and show the error code “**P4**” on the LED display. Place the heater on a flat, level, and stable surface and turn the heater on again.

Overheat Protection - When the ambient temperature is above 50° C, the appliance will stop heating, 2 beeps will sound and the error code “**FF**” will show on the LED display.

CLEANING AND CARE

WARNING **Electrical Shock Hazard**

Before you clean the appliance, disconnect the mains plug from the wall socket.

- Allow the appliance to cool down completely before cleaning.
- Do not immerse cord, plug or appliance in any liquid or allow moisture to come into contact with electrical parts.
- Clean the outer surface using a moist cloth and wipe over with a dry, soft cloth.
- Do not use harsh detergents, abrasives or spray on cleaners.
- Don't allow water to seep into the openings or come into contact with electrical connections.
- Allow sufficient drying time before operating again.
- Clean the air inlets and outlets regularly with a vacuum cleaner using the brush attachment (with regular use, at least twice a year).
- When the appliance is not in use. We recommend that, the heater is re-packed in its original packaging and stored in a cool, dry place.

PROBLEM SOLVING



WARNING: To reduce the risk of personal injury, always unplug the appliance before performing maintenance or trouble shooting checks.

The following troubleshooting guide addresses the most common problems. If the problems persist, please contact Customer Services.

Problem	Potential reason	Potential solution
Malfunction Codes on the LED Display	E1 - Temperature sensor short circuit	Unplug it from the power source and contact Customer Services
	E0 - Temperature sensor open circuit	Unplug it from the power source and contact Customer Services
	FF - Overheat Protection (Ambient temperature above 50°C)	Unplug it from the power source. Power on the appliance again once the ambient temperature drops below 50°C
	P4 - Tip-Over Protection	Place the appliance back on a flat, level and stable surface
Heater does not start	Power cord is not properly plugged in	Connect the plug to a powered electrical outlet
	Overheat protection has been activated	1) Turn the heater OFF, unplug it and allow it to cool 2) Check and remove any objects on or adjacent to the heater 3) Wait 5-10 minutes before plugging the appliance back in
	No power is passing through the appliance	1) Ensure that your circuit breaker or fuse is working properly 2) Ensure your heater is placed on a flat and even surface
	The set temperature is lower than the ambient temperature	Make sure the thermostat is set at a higher temperature than the ambient temperature
The heater suddenly stops working	The heater is not working	Turn off the appliance and unplug it from the power outlet; Allow it to cool, and then plug it into the power outlet again
	The heater is tipped over	Place the appliance on a flat, level, and stable surface
	The appliance is dirty	Inspect your appliance. Clean the air inlet and air outlet with a vacuum cleaner if necessary. If there are any signs of physical damage (e.g. melting, or burning of the case), do not attempt to use the appliance. Please leave all maintenance work to qualified personnel.

GUARANTEE AND CUSTOMER SERVICES

This product is guaranteed for **12 months** from the date of the original purchase. If any defect arises due to faulty materials or workmanship, the faulty product must be returned to the place of purchase.

Refund or replacement is at the discretion of the retailer.

The following conditions apply:

- The product must be returned to the retailer with the original proof of purchase.
- The product must be installed and used in accordance with the instructions contained in this instruction guide and any other instructions for use which are supplied.
- It must be used for domestic purposes only and for its intended use.
- This guarantee does not cover wear and tear, damage, misuse or consumable parts.

This does not affect your statutory rights.

Customer Services & Spare Parts:

Region	Contact	Website
UK & Northern Ireland	0345 209 7461	www.thisabode.co.uk
Ireland	1 800 938982	
Rest of Europe	europe@productcaregroup.com	

CONNECTION TO THE MAINS SUPPLY

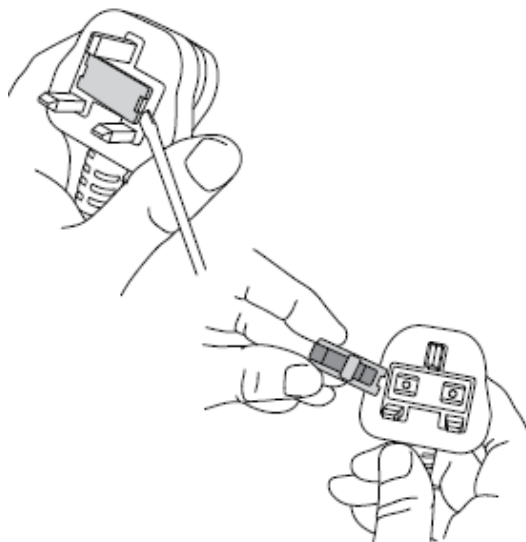
This appliance is designed to operate from a mains supply of 220-240V ~ 50/60 Hz.

Check that the voltage marked on the product corresponds with your supply voltage.

How to change the fuse

1. Slot the end of a screwdriver into the recess in the fuse holder of the plug.
2. Pull the fuse holder upwards until free of the plug and slide the fuse out.
3. Replace the fuse and replace fuse holder, pushing down until locked into place.

Important: Only ever use a 13 amp fuse.



SPECIFICATION

Model	ACTH2005
Voltage	220 – 240V AC 50-60 Hz
Power Input (Heating)	2000W
Suitable Room Size	20 (m ²)
Oscillation	46°
Handle Type	Integrated
Number of Heat Settings	2
Overall Size (H x W x D)	37 x 16 x 16 (cm)
Weight (KG)	1.8

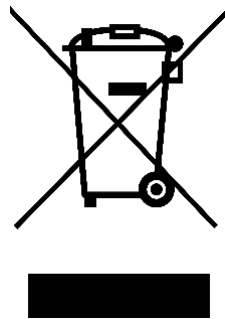
SPECIFICATION

Information requirements for electric local space heaters					
Model number	ACTH2005				
Item	Symbol	Value	Unit	Item	Unit
Heat output			Type of heat output/room temperature control		
Nominal heat output	P _{nom}	2.000	kW	Single stage heat output and no room temperature control	No
Minimum heat output (indicative)	P _{min}	1.080	kW	Two or more manual stages, no room temperature control	No
Maximum continuous heat output	P _{max,c}	2.000	kW	With mechanic thermostat room temperature control	No
				With electronic room temperature control	Yes
Power consumption			Electronic room temperature control plus week timer		
In off mode	P _o	-	W	Electronic room temperature control plus day timer	No
In standby mode	P _{sm}	0.27	W	Other control options (multiple selections possible)	
In idle mode	P _{idle}	0.40	W	Room temperature control, with presence detection	No
In network standby	P _{ns}	-	W	Room temperature control, with open window detection	No
Standby mode with display information or status			No	Distance control option	No
Seasonal space heater energy efficiency in active mode	$\eta_{s,on}$	91.5	%	Adaptive start control	No
				Working time limitation	Yes
				Black bulb sensor	No
				Self learning functionality	No
				Control accuracy	No
Contact details	Product Care Trading Ltd, Unit 1 Green Bank Business Park, Swan Lane, Hindley Green, Wigan, WN2 4AY, United Kingdom				
	Product Care (Ireland) Ltd, Unit 3D North Point House, North Point Business Park, New Mallow Road, Cork, T23 AT2P, Ireland				

abode

Made by Product Care Trading Ltd, Unit 1 Green Bank Business Park, Swan Lane, Hindley Green, Wigan, WN2 4AY, United Kingdom / Product Care (Ireland) Ltd, Unit 3D North Point House, North Point Business Park, New Mallow Road, Cork, T23 AT2P, Ireland.

UK
CA



The 'wheellie bin' symbol is known as the 'Crossed-out wheellie bin Symbol'. When this symbol is marked on a product/batteries, it means that the product/batteries should not be disposed of with your general household waste. Only discard electrical/electronic/battery items in separate collection schemes, which cater for the recovery and recycling of materials contained within. Your co-operation is vital to ensure the success of these schemes and for the protection of the environment. For your nearest disposal facility, visit www.recycle-more.co.uk or ask in store for details.

SEDEX – Connecting businesses and their global suppliers to share ethical data and enabling improvement in ethical performance. Visit www.sedex.org.uk for further information.

We reserve the right, due to possible changes to design, to alter the instruction manual without prior notice.