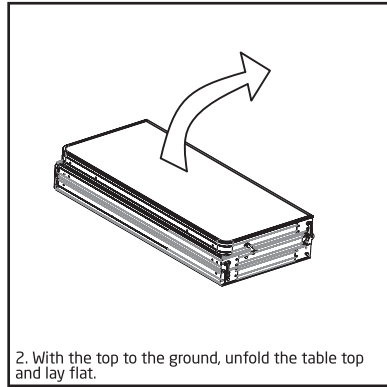
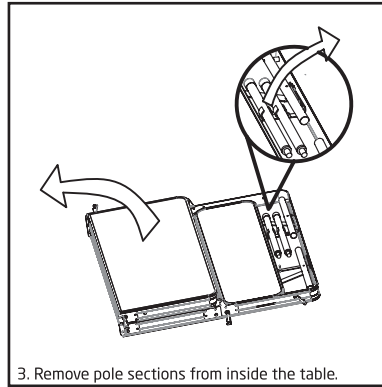


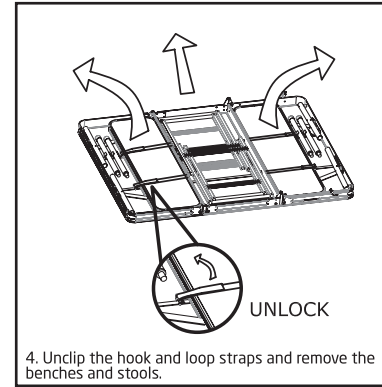
1. Unclip pin locks on side of table.



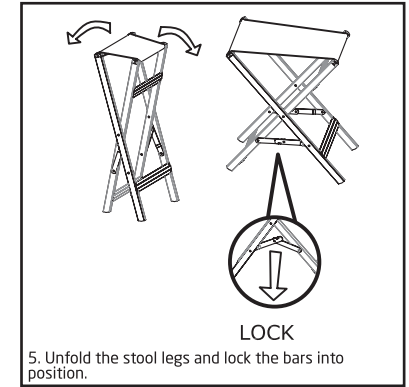
2. With the top to the ground, unfold the table top and lay flat.



3. Remove pole sections from inside the table.



4. Unclip the hook and loop straps and remove the benches and stools.



5. Unfold the stool legs and lock the bars into position.

THIS PRODUCT IS FOR OUTDOOR CAMPING USE ONLY

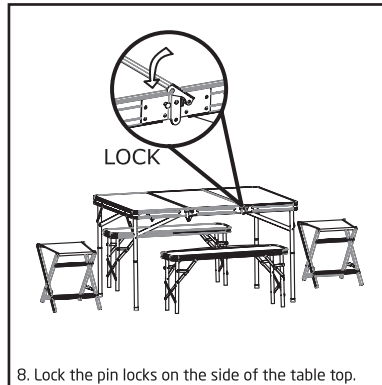
TO BE ASSEMBLED BY AN ADULT & USED UNDER ADULT SUPERVISION.

WARNING!

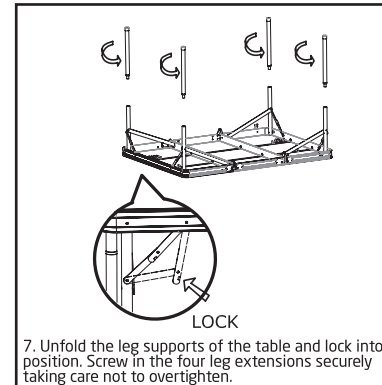
Use only on firm and level ground.
Do not use cooking appliances on table top.
Take extra care with folding parts & the assembly of the item.
Ensure all locking mechanisms are secure before use.
Care should be taken to avoid tipping whilst seated.
Do not use in wet conditions & take care to wipe any spills immediately.
KEEP DRY

CARE INSTRUCTIONS:

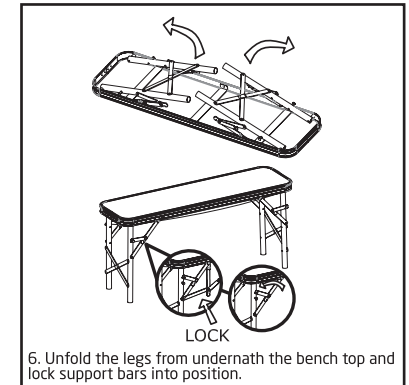
Spot clean with mild soapy water & wipe surfaces dry.
Do not use bleach, acids, solvents or abrasive cleaners.
Store in a cool, dry place when not in use.



8. Lock the pin locks on the side of the table top.



7. Unfold the leg supports of the table and lock into position. Screw in the four leg extensions securely taking care not to overtighten.



6. Unfold the legs from underneath the bench top and lock support bars into position.



KEEP AWAY FROM FIRE



MAX LOAD WEIGHT



MAX LOAD WEIGHT



MAX LOAD WEIGHT

ELITE PICNIC TABLE SET - HGRAA10052SLV

Hi Gear - BL9 8RR

Made in China

RETAIN FOR FUTURE REFERENCE