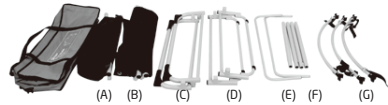
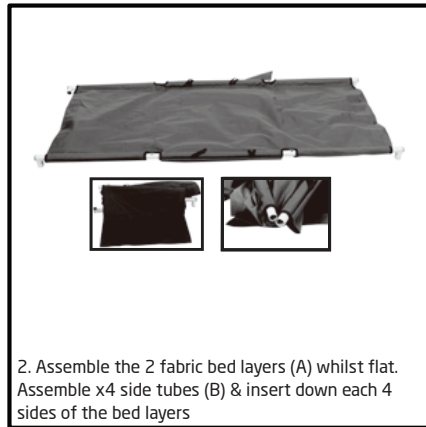


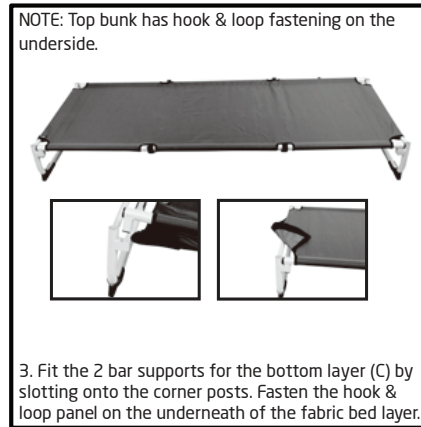
- 2 support tubes for the bottom, 1 for the upper bunk - (G)
- 4 corner tubes for four corners - (F)
- 2 side support tubes for the upper layer - (E)
- 2 bar supports for the upper layer - (D)
- 2 bar supports for the bottom layer - (C)
- 4 side tubes - (B)
- 2 fabric bed layers - (A)



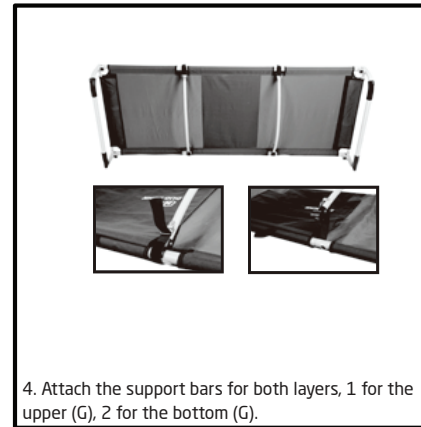
1. Contents - Take all components out of the carry bag and identify each item.



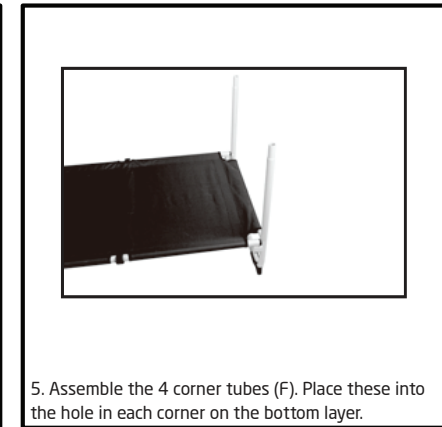
2. Assemble the 2 fabric bed layers (A) whilst flat. Assemble x4 side tubes (B) & insert down each 4 sides of the bed layers



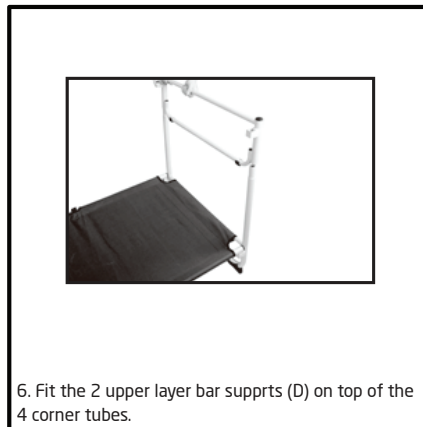
3. Fit the 2 bar supports for the bottom layer (C) by slotting onto the corner posts. Fasten the hook & loop panel on the underneath of the fabric bed layer.



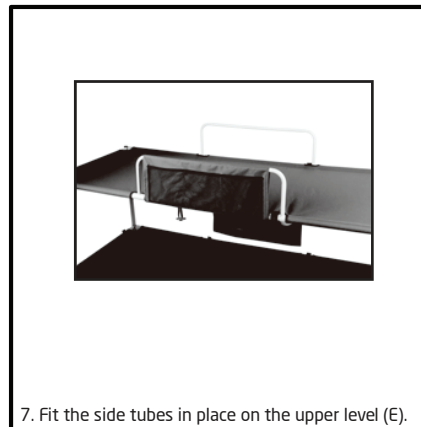
4. Attach the support bars for both layers, 1 for the upper (G), 2 for the bottom (G).



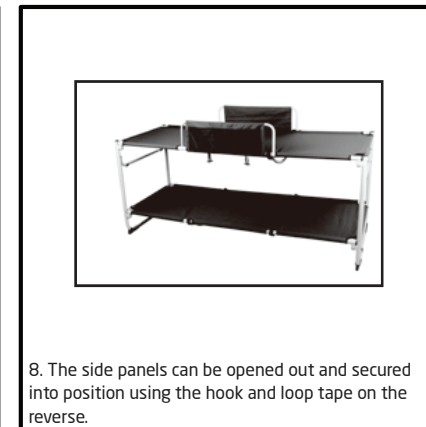
5. Assemble the 4 corner tubes (F). Place these into the hole in each corner on the bottom layer.



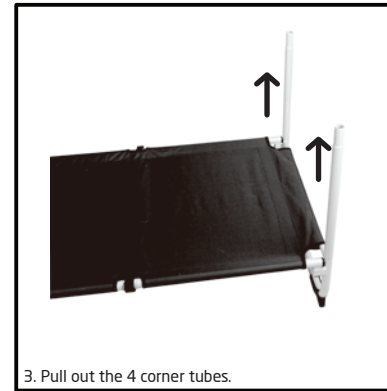
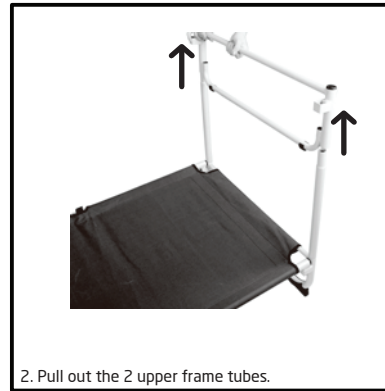
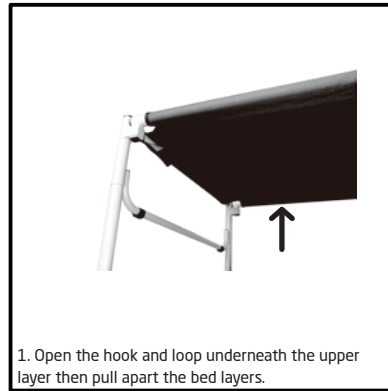
6. Fit the 2 upper layer bar supports (D) on top of the 4 corner tubes.



7. Fit the side tubes in place on the upper level (E).



8. The side panels can be opened out and secured into position using the hook and loop tape on the reverse.



THIS PRODUCT IS FOR OUTDOOR CAMPING USE ONLY

THIS PRODUCT REQUIRES A MODERATE AMOUNT OF FORCE TO ASSEMBLE TO ENSURE THE PRODUCT REMAINS TAUGHT AND STURDY WHILST IN USE. THIS IS NOT A TOY. TO BE ASSEMBLED BY AN ADULT & USED UNDER ADULT SUPERVISION.

WARNING!

Use only on firm and level ground. Care should be taken to avoid tipping whilst in use.
Distribute weight evenly whilst using & when getting on & off Duo Bunk.
Must be used with side support bars and fabric.
Take extra care with folding parts.
Follow assembly instructions carefully.

CARE INSTRUCTIONS:

Spot clean with mild soapy water, allow fabric to dry naturally.
Do not use bleach, acids, solvents or abrasive cleaners.
Store in a cool, dry place when not in use.



DUO BUNK CAMPBED - HGAA10042BLU / HGAA10042MUL

Hi Gear - BL9 8RR

Made in China

RETAIN FOR FUTURE REFERENCE