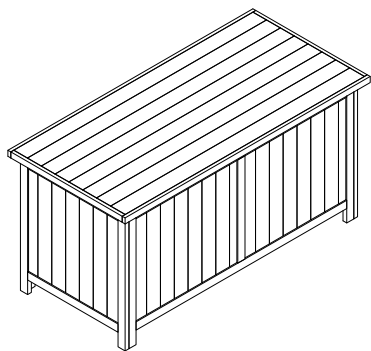
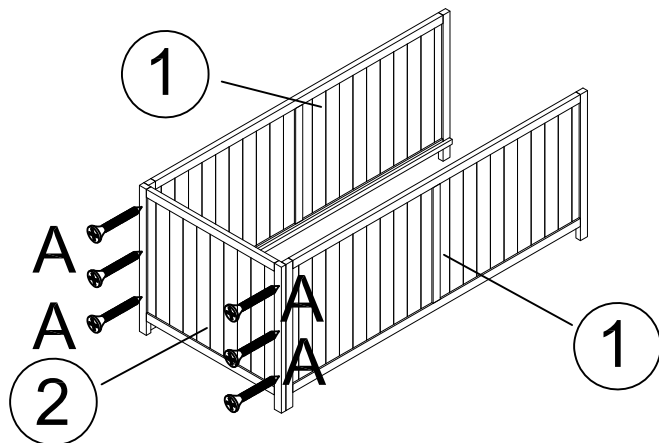


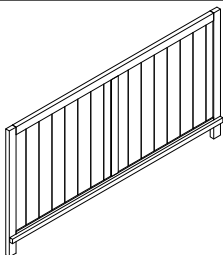
Assembly Instructions
EX08042
Large Wooden Garden Storage Cabinet - 600L



1

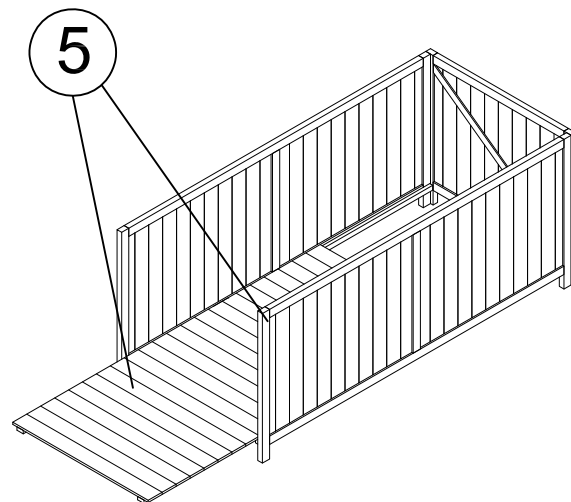


1

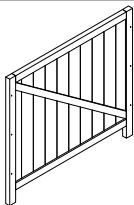


2PCS

2



2



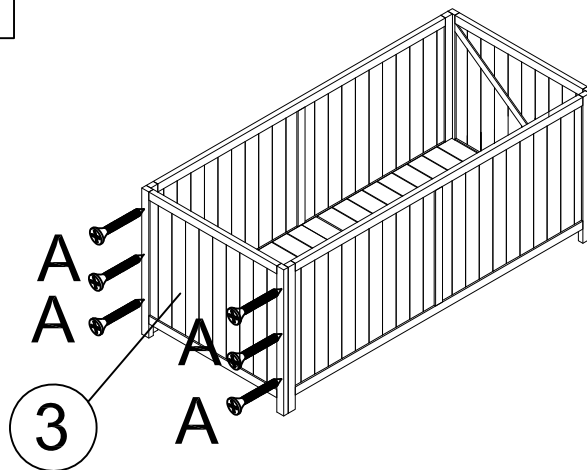
1PC

3

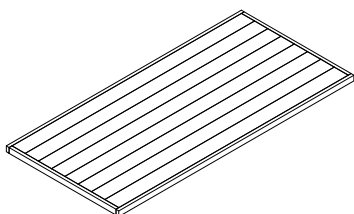


1PC

3

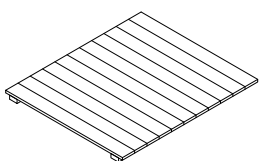


4



1PC

5



2PCS

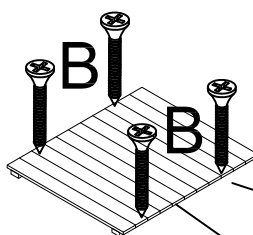
A



3.5*40

12PCS

4



B



3*25

8PCS

C



3*18

24PCS

D



1PC

L



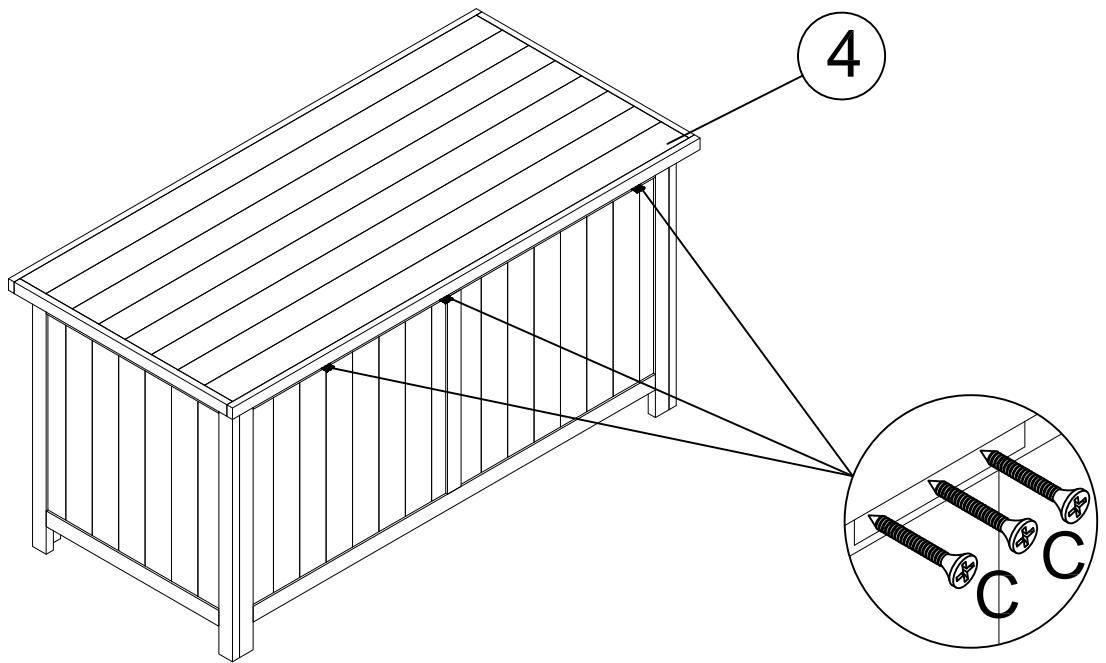
1PC

R

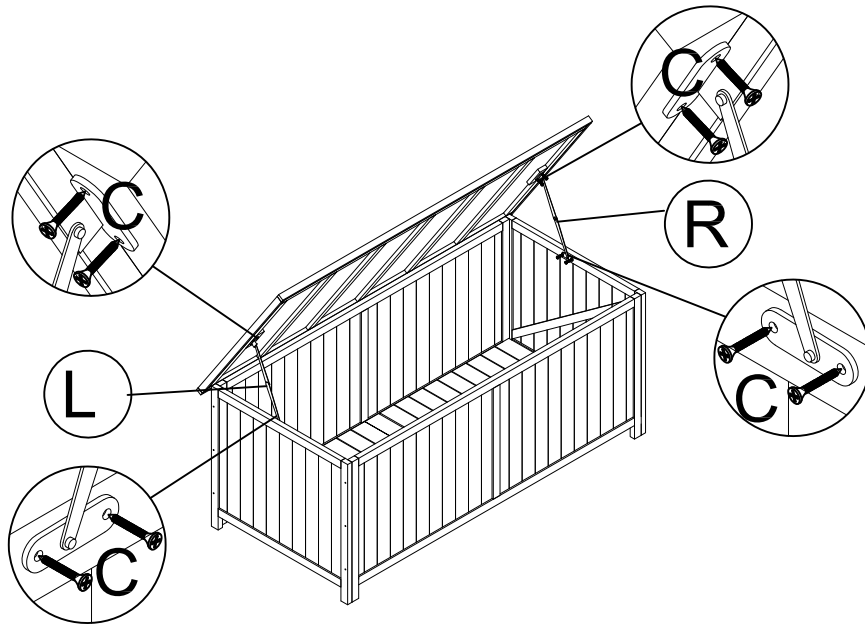


1PC

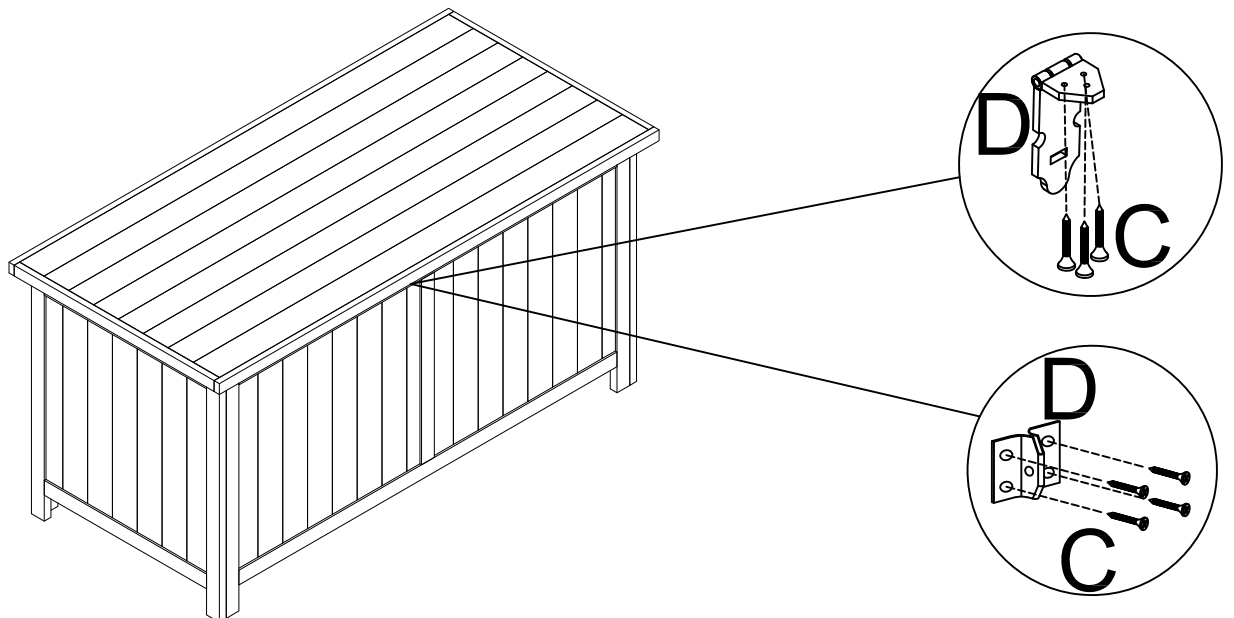
5



6



7



For further
information,
additional parts
and accessories
or other queries:

PHONE

01604 537900

WEBSITE

www.jackstonehouse.com

E-MAIL

sales@jackstonehouse.com

ADDRESS

35 Tameside Drive
Birmingham
B35 7AG

**SCAN FOR
WEBSITE**



FOLLOW US



Tandem Group Trading

