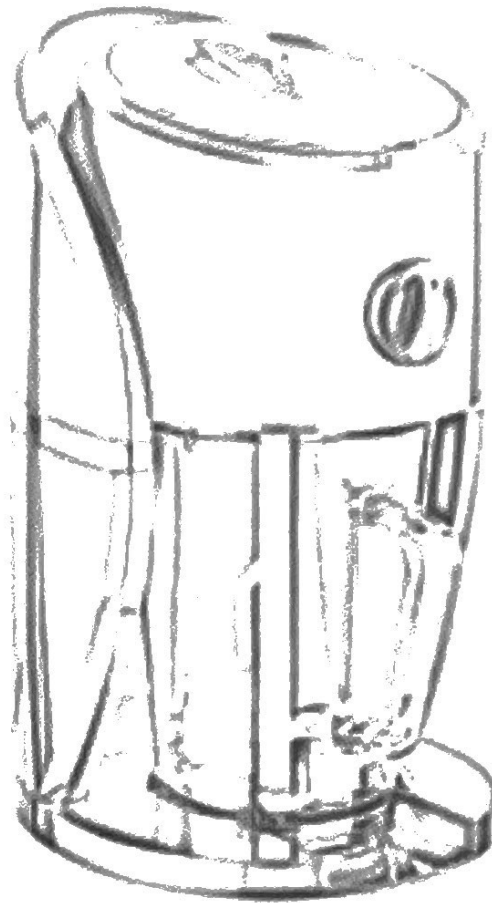




# **2 in 1 Slushy Maker and Ice Crusher**

## **INSTRUCTION MANUAL**



Model: NEO-SJUG

## Introduction:

Please carefully read through the operating instructions prior to using the device for the first time and store these instructions in a safe place. The instructions are to accompany the product when it is passed on to others. The manufacturer and importer assume no liability in the event the data in these instructions has not been observed.

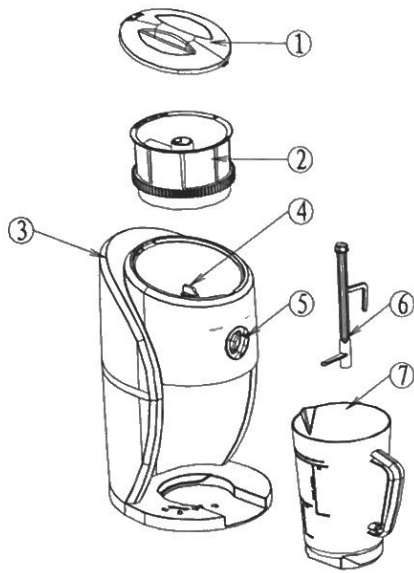
Please carefully read through and obey the safety notices in order to avoid injury to persons and property.

## **IMPORRANT SAFEGUARDS**

*When using electrical appliances, basic safety precautions should always be followed, including the following:*

1. Read all instructions.
2. To protect against risk of electrical shock, do not immerse cord, plug or motor in water or other liquid.
3. Close supervision is necessary when any appliance is used near children.
4. Unplug from outlet to disconnect, before putting on or taking off parts, before cleaning, and when not in use.
5. Avoid contact with moving parts.
6. Do not operate any appliance with damaged cord or plug or after the appliance malfunctions, or is dropped or damaged in any manner. Contact Consumer Service to return for examination, repair or electrical or mechanical adjustment.
7. The use of attachments not recommended by the manufacturer may cause fire, electric shock or injury.
8. Do not use outdoors.
9. Do not let cord hang over edge of table or counter, or contact hot surface, including the stove.
10. Never place fingers or other utensils into feed or discharge areas.
11. Check ice hopper for presence of foreign objects before using.
12. Blades are sharp, Handle carefully.

## Structure Illustration



1. Lid
2. Ice shaving chamber
3. Mainbody
4. Shaft
5. Selector knob
6. Mixing paddle
7. Bowl

## How to operate

1. Make sure the unit is unplugged .Place Unit on clean, dry surface.
2. Place Ice Shaving Chamber in Mainbody and ensure it is seated on the shaft. (Figure 1 )

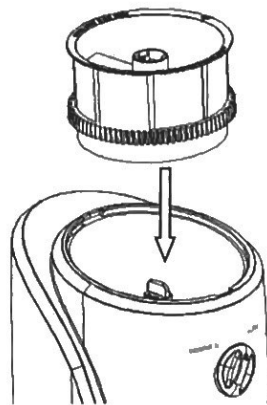


Figure 1

3. Twist the shaft in direction of arrow to lock into position . (Figure 2 )

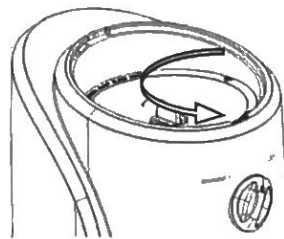


Figure 2

4. Place the Mixing Paddle in Bowl.
5. If mixing shaved ice with other ingredients, place ingredients in bowl.

**NOTE:** Use serving size markings as a guide for appropriate ice and liquid levels. For a large or small serving, fill the ice and liquid to the level indicated on the bowl.

1. Slide Bowl into groove on mainbody and turn clockwise until it stops. This will allow the Mixing Paddle to mix ice and ingredients once operation begins. (Figure 3 )



Figure 3

2. Turn Selector knob to desired setting. Fine setting produces finer ice. Coarse Cone setting produces coarser ice .
3. Place ice in Ice Shaving Chamber. Do not shave ice above MAX line.
4. Plug cord into outlet.
5. Place Lid on Mainbody and turn counterclockwise to engage the interlock switch (Power On/Off). The unit will start and begin to shave ice .(Figure 4 )

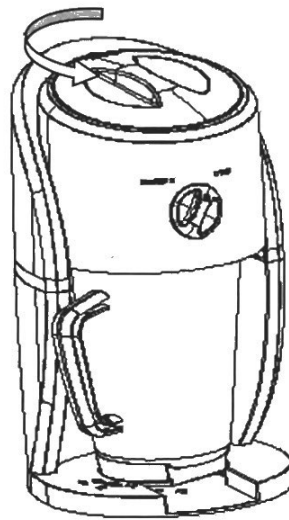


Figure 4

## **WARNING**

### **Cut Hazard**

1. Avoid contact with Shaving Blade.
2. Do not use if Shaving Blade is loose, cracked, bent or damaged
3. Turn Lid clockwise to stop.
4. To remove Bowl, turn counterclockwise, slide out and serve.

## **Technical Parameters**

Voltage: 220-240V~50/60Hz

Watts: 25W