



INSTRUCTION



A-4x



B-4x



C-4x



D-8x



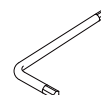
E-4x



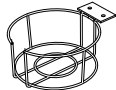
F-4x



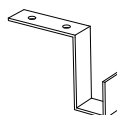
G-1x



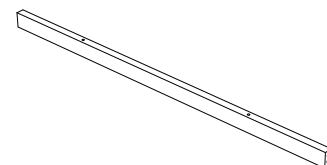
H-1x



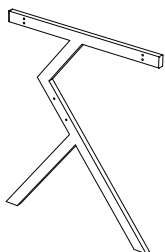
a-1x



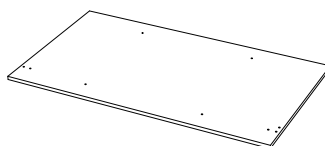
b-1x



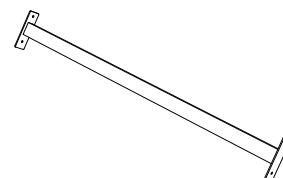
d-2x



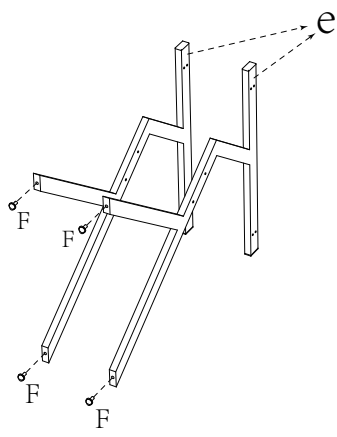
e-2x



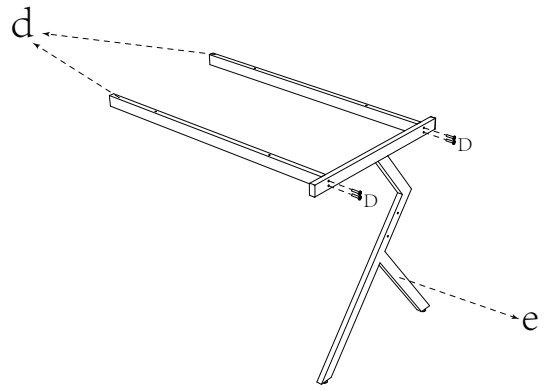
f-1x



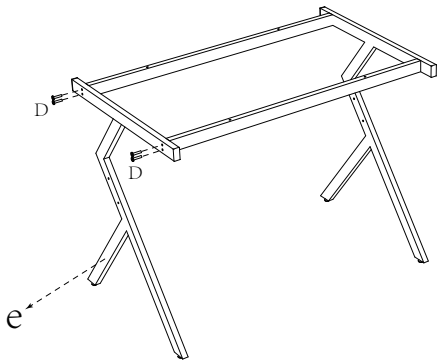
g-1x



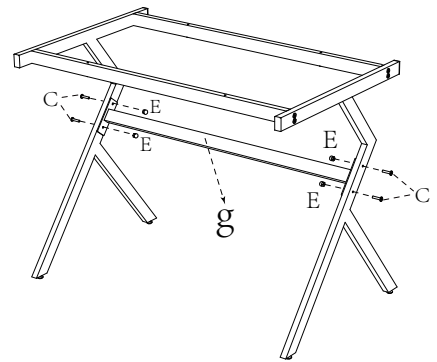
1



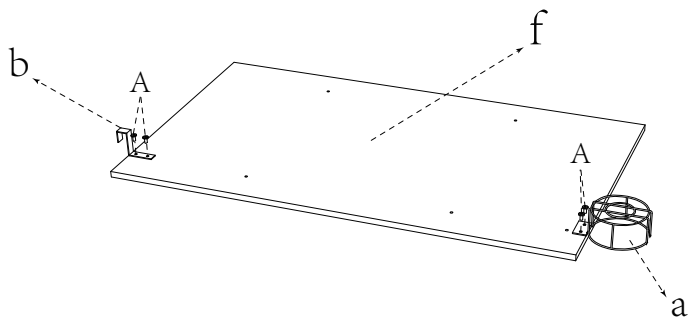
2



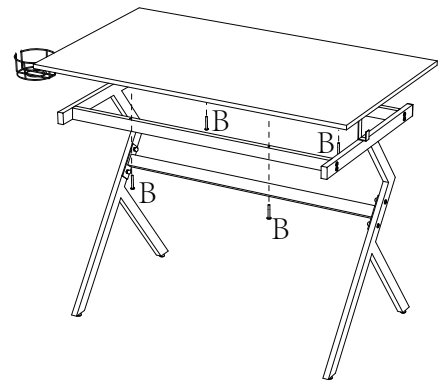
3



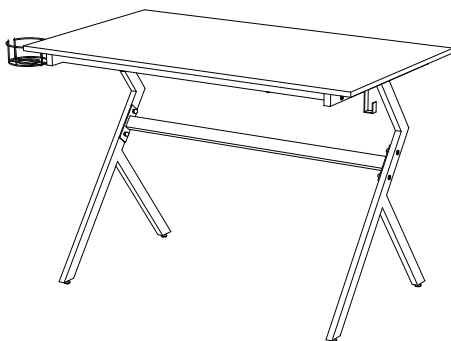
4



5



6



7

8