



LIGHT SOURCE DATA

- 40W Max E27 ES (required)
- Lamp direction - Downwards
- Lamp shape - Standard
- Dimmable
- Energy class: Not applicable

DIMENSION DATA

- Height 205mm
- Width 200mm
- Depth 240mm

- Weight 0.64kg

SPECIFICATION

- Manufacturer warranty for 2 years from date of purchase
- Flint grey with polished chrome plate detail
- IP20
- No
- Class I - Single Insulated, Earthed
- 240V
- Assembly required? No
- CE Marking, UKCA Marking, Energy Efficient, Energy Saving

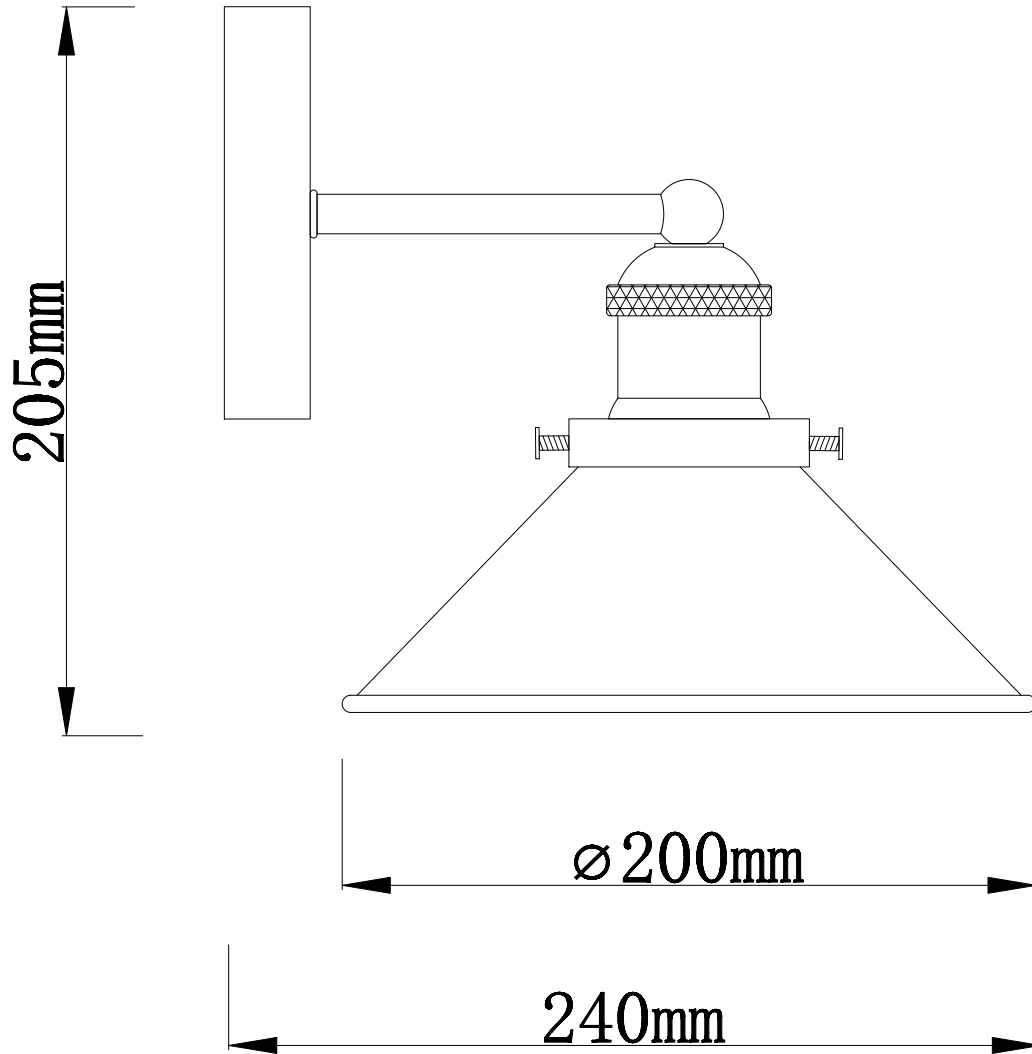
CERTIFICATION



CONTACT

www.firstchoicelighting.co.uk

info@firstchoicelighting.co.uk



CERTIFICATION



CONTACT

www.firstchoicelighting.co.uk

info@firstchoicelighting.co.uk