

Set of 2 Bridgeton - Tiffany Uplighter Easy Fit Pendant Shades



## LIGHT SOURCE DATA

- 2 x 6W Max B22 BC or E27 ES (required)
- Lamp direction - Indirect
- Lamp shape - Standard
- Dimmable
- Energy class: Not applicable

## DIMENSION DATA

- Height 75mm
- Diameter 305mm
- Weight 0.85kg

## SPECIFICATION

- Manufacturer warranty for 2 years from date of purchase
- Tiffany decorated glass
- IP20
- No
- 240V
- Assembly required? No
- UKCA Marking, Energy Efficient, Energy Saving

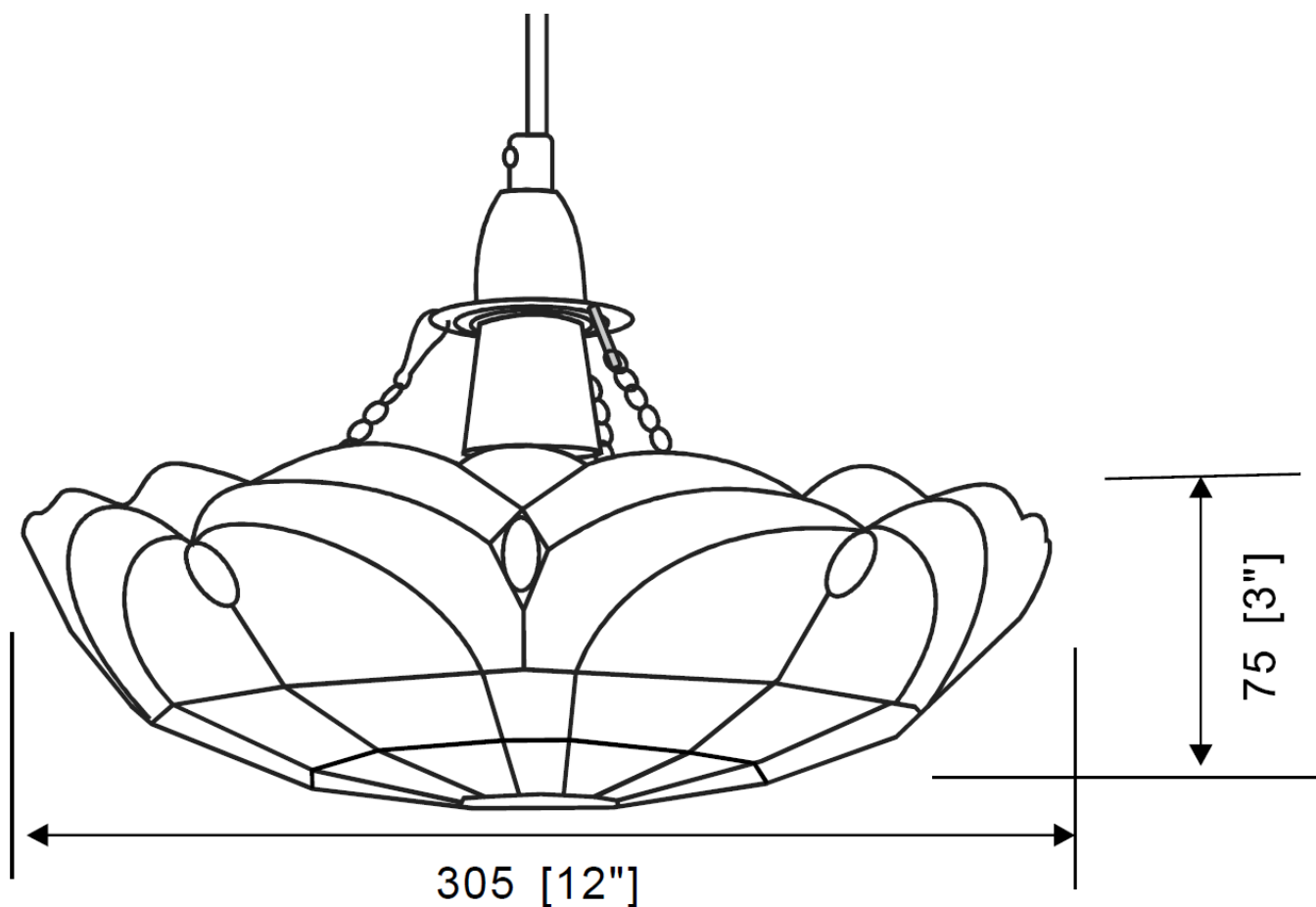
## CERTIFICATION



## CONTACT

[www.firstchoicelighting.co.uk](http://www.firstchoicelighting.co.uk)

[info@firstchoicelighting.co.uk](mailto:info@firstchoicelighting.co.uk)



## CERTIFICATION



## CONTACT

[www.firstchoicelighting.co.uk](http://www.firstchoicelighting.co.uk)

[info@firstchoicelighting.co.uk](mailto:info@firstchoicelighting.co.uk)