

**EN\_Tips:** Please do not use in Severe weather to avoid damage.

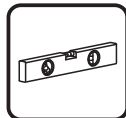
**FR\_Conseils :** Ne pas utiliser dans des conditions météorologiques difficiles afin d'éviter tout dommage.

**ES\_Consejos:** Por favor, no utilice en tiempo severo para evitar daños.

**PT\_Dicas:** Por favor não utilizar em tempo severo para evitar danos.

**DE\_Tipps:** Bitte nicht bei schlechtem Wetter verwenden, um Schäden zu vermeiden.

**IT\_Suggerimenti:** si prega di non utilizzare in condizioni climatiche avverse per evitare danni.



**EN\_IMPORTANT, RETAIN FOR FUTURE REFERENCE: READ CAREFULLY.**

**FR\_IMPORTANT: A LIRE ATTENTIVEMENT ET À CONSERVER POUR CONSULTATION ULTÉRIEURE.**

**ES\_IMPORTANTE, LEA Y GUARDE PARA FUTURAS REFERENCIAS.**

**PT\_IMPORTANTE, RETER PARA REFERÊNCIA FUTURA: LEIA ATENTAMENTE.**

**DE\_WICHTIG! SORGFÄLTIG LESEN UND FÜR SPÄTER NACHSCHLAGEN AUFBEWAHREN.**

**IT\_IMPORTANTE! CONSERVARE IL PRESENTE MANUALE PER FUTURO RIFERIMENTO E LEGGERLO ATTENTAMENTE.**



**WARNING! THIS INSTRUCTION MANUAL SHALL BE READ BEFORE THE USE AND THE INSTALLATION OF THE PRODUCT**

Important safety instructions. It is important for the safety of persons to follow these instructions. Save these instructions.

Before opening the awning, make sure all the fixing bolts and security devices are properly installed and tightened. Always close the awning during rainy days, windy days or the awning is not in use.

Failed to observe the instruction may lead to material and constructional damage of the awning.

The folding arms of the awning are under tension and can cause damage and injury when they are open up suddenly. Never try to disassemble the awning or repair the awning by yourself. Consult a competent technician for help.

To avoid the risk of tipping, the object must be firmly fixed to the wall. Improper installation can cause furniture/objects to fall and cause serious personal injury.

If you have any questions about the installation, please consult our customer service staff. Use electric drills, wrenches and ladders that are suitable for your wall material type. These are not included. For advice on tools that fit your wall, please consult our customer service staff.

## **1.ASSEMBLY**

The installation can be made by non-professionals assuming the instruction is followed correctly. Should you have any trouble during assembly, please consult a qualified person for help.

The operation in frosty conditions may damage the awning.

Never install it in high and windy places, as the sunshade may drop and hurt people.

Don't hang anything on the frame or on the folding arms as the awning may fall down and cause damage or personal injury.

Be careful with your finger during installation.

When you are ready to unpack and assemble the awning, make sure that you have the appropriate tools, sufficient operators (2 persons are suggested) and space, and a clean and dry area to perform the installation."

Please use all the screws and nuts correctly during installation as it is very dangerous if you leave it loose.

Carefully unpack and release the bindings. Need two persons to handle the product.

Remove and store the hardware in a safe place to avoid losing.

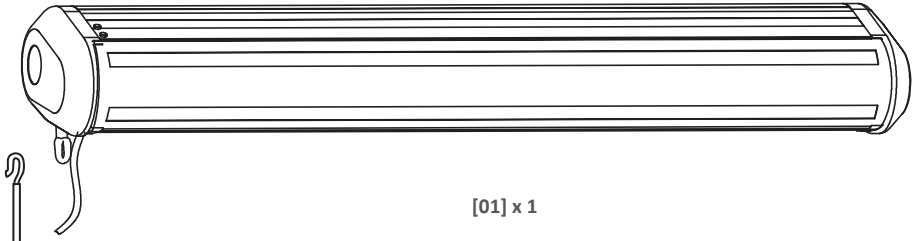
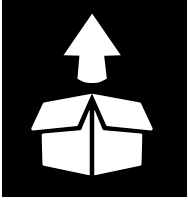
Beware of the sudden unfolding of any parts, especially the folding arms.

Read the assembly instructions carefully before installation.

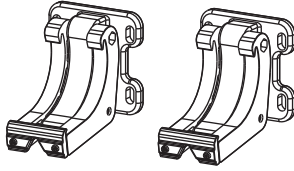
Check for missing components and damaged parts. Do not install the product if any parts are missing or damaged. Ask the store for free replacement. Never modify the construction or the design of the awning. Fail to follow the instruction can lead to personal injury or death.

The awning can be installed by non-profession provided the instructions are followed.

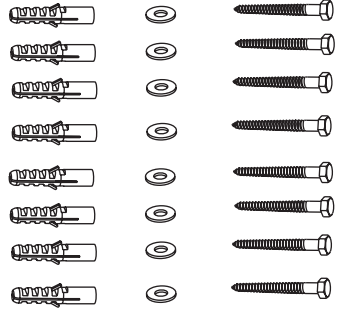
Make sure the wall is strong enough and is suitable for the installation of the awning. We will not be responsible for any damage to the property and the awning due to the weak support of installation wall.



[01] x 1



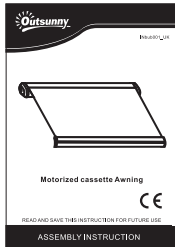
[03] x 2



[04] x 8



[02] x 1



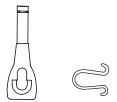
[05] x 1



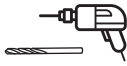
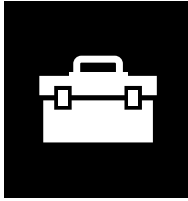
[06] x 1



[07] x 1



[08] x 1



Φ14 mm



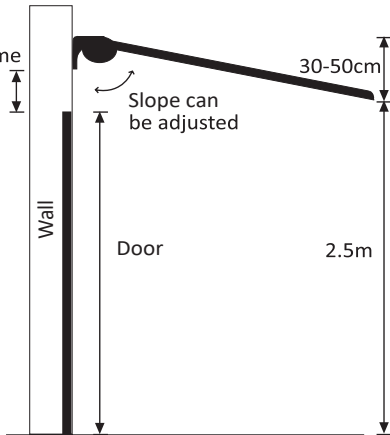
M10, M5



14mm,  
17mm and 19mm



20cm  
Above  
door frame



#### Height of awning:

The recommended height from the ground is 2.5m–3.5m. If you want to install lower than this, determine whether there is sufficient headroom when the awning is fully extended and that any doors can open.

#### Required headroom:

- Allow 20cm above any door frame and check that when opened the door will not interfere with the awning.
- As a guideline, the awning has a drop of 30cm (2m projection) to 45cm (2.5m projection) at a slope of 15 degrees below the horizontal.

The recommended slope is pre-set at the factory and should not require any major adjustment. The angle of drop can be adjusted with a spanner any time after fitting: from approx 15-30 degrees.

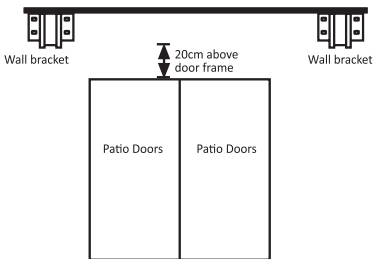
**If in doubt about the quality of the wall structure you are wanting to mount the awning on, you can use an epoxy resin product to secure the mountings in the wall.**

#### Horizontal positioning of brackets:

Using laser, spirit level or other method, mark an accurate horizontal line at the required height.

**Fixing must be directly into brick or concrete. Mortar joints between the bricks or blocks will NOT be secure enough to bolt into.**

Draw a horizontal line in the position of the required height.



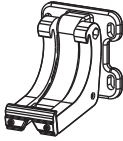
**If in doubt about the quality of the wall structure you are wanting to mount the awning on, you can use an epoxy resin product to secure the mountings in the wall.**

Install the wall brackets below each arm attachments for maximum support. To view the arm attachments, manually extend the awning with the manual winder just enough to view the arm attachments inside the full cassette.

It is possible to slide the brackets to avoid pipe/gutters but installing the wall brackets away from the arm attachments will weaken the attachment strength on the awning and cause the awning cassette to bow. You may wish to buy more brackets, which are available from your outlet.

1. Measure the awning width (back) by a ruler and note down the bracket position.
2. Draw a horizontal line in the position of the required height as shown in the diagram.
3. Make marks onto the wall, through the holes at the base of the bracket.
4. Use a hammer-acton electric drill with a 14mm bit. Do NOT drill through mortar as this will not provide satisfactory strength to hold the wall bolts.
5. Drill 90mm holes into brick or concrete wall in exact position chosen for wall brackets.
6. Insert expansion plug all the way through and insert the coach bolt.

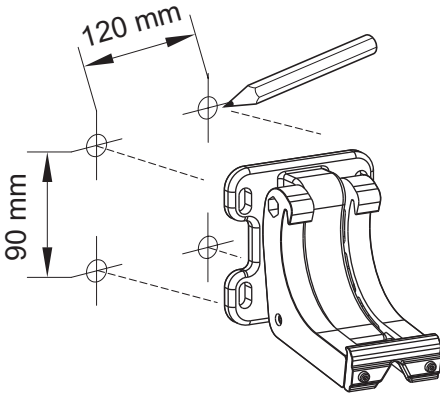
2



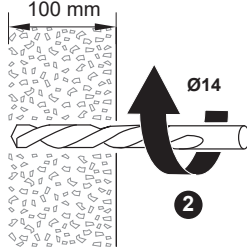
[03] x 2



[04] x 8



1

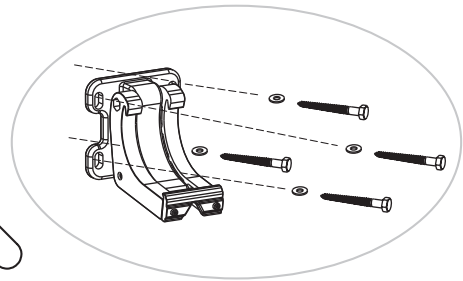
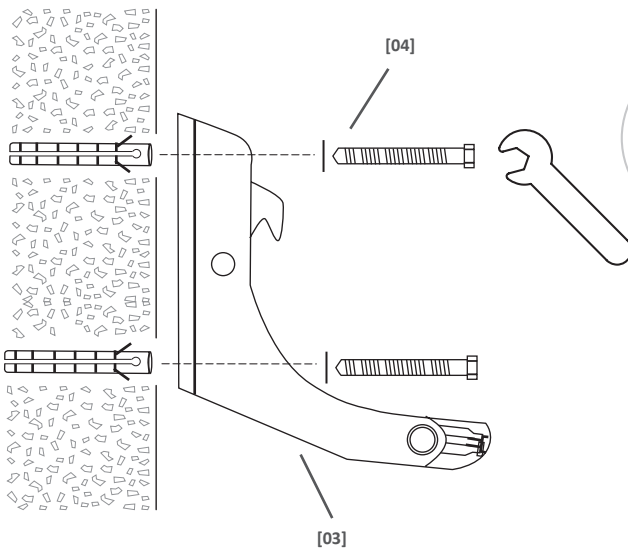


2

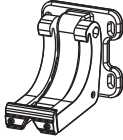


3

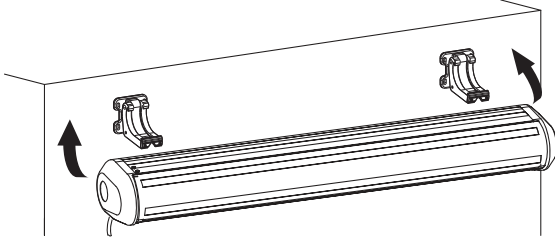
4



# 3



[03] x 2



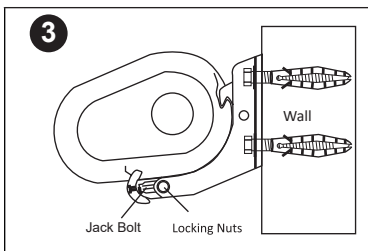
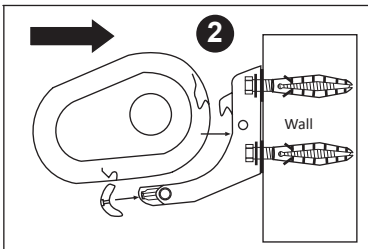
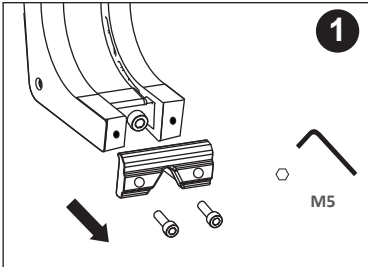
### Note:

The full cassette awnings are very heavy, more than three people will be required to lift the awning into place. Scaffold towers will be required when installing 3.5m – 6.0m full cassette awnings. Do not attempt to lift this unit onto the wall brackets without assistance.

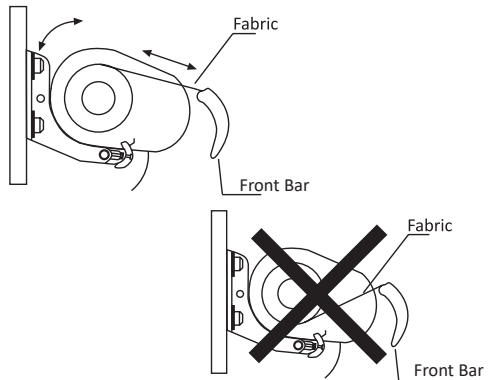
Lift both ends of the awning unit until the cassette (body) slides into the wall brackets, make sure it clips in place. Now secure the awning in place, screw the front plate on wall bracket tight as possible.

Ensure the fabric is feeding from the top and not the bottom.

Double check to make sure the cassette body is securely installed on the wall brackets.



✓ Correct installation



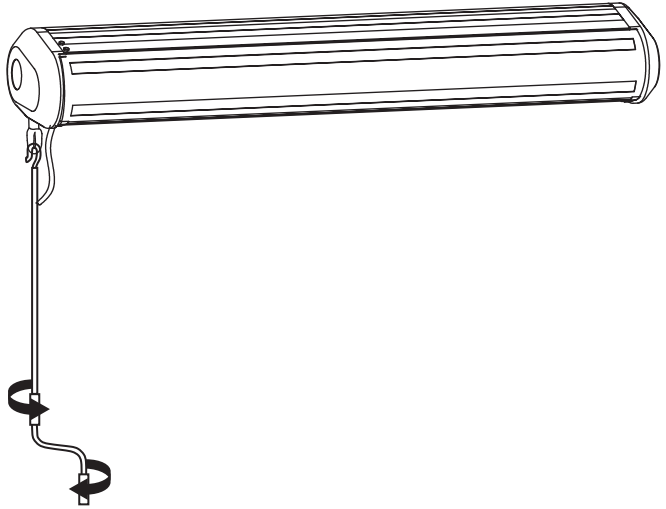
✗ Incorrect installation

# 4

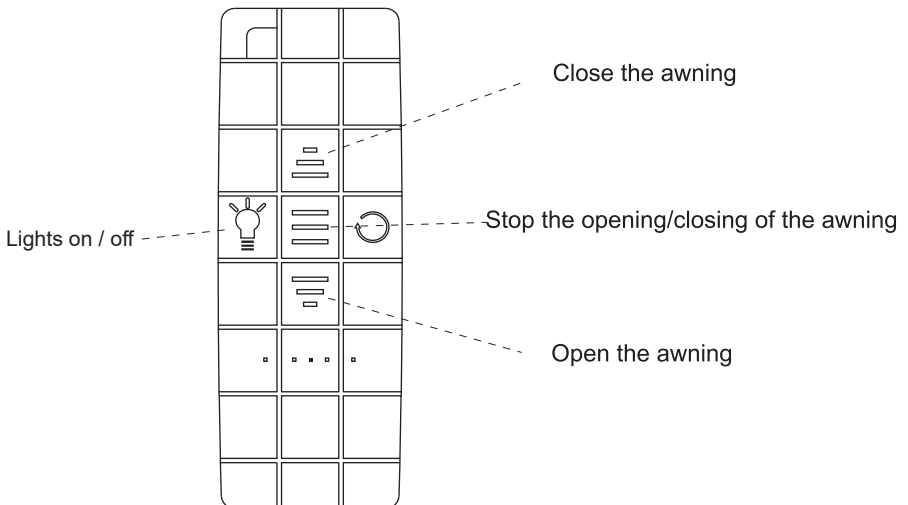
## Opening / Closing



[02] x 1



[06] x 1



# 5

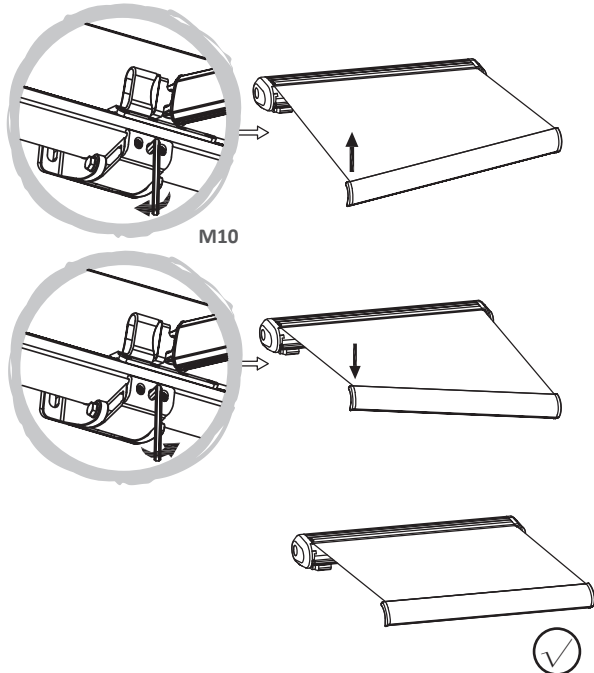
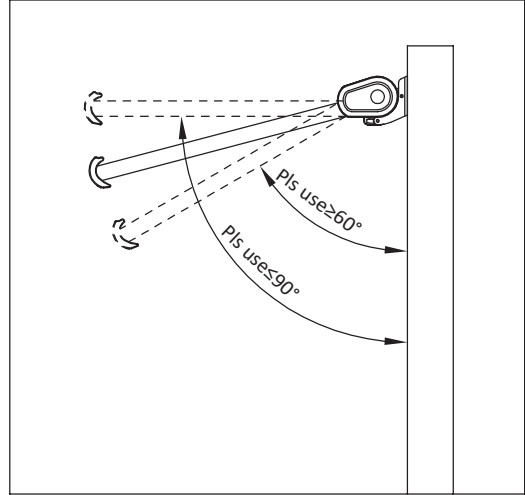
The awning is usually supplied with the most ideal pre-set angle of tilt. When fully opened, the front bar should be level. The angle can however be adjusted by adjusting the jack bolt on each wall bracket:

1. Loosen the 17mm locking nuts.
2. Turn the jack bolt (located in the middle screw - sometimes covered by a rubber cap) use an allen key to adjust the bolt.
3. Adjust each wall brackets until the front side is level.
4. Tighten the locking nuts.

### Note:

Make sure all the angles are adjusted at the same level - any slight misalignment will result in the awning not retracting properly or when the awning is fully projected, one side of the front bar will be higher than the other.

Ideally, project the awning fully out and then adjust the level of the front bar by eye or with a spirit level.

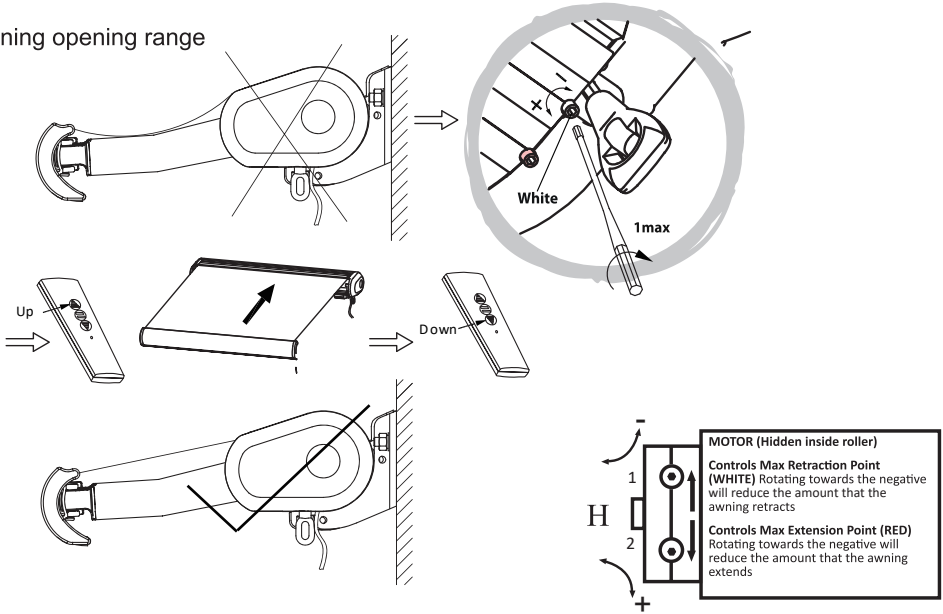


# 6

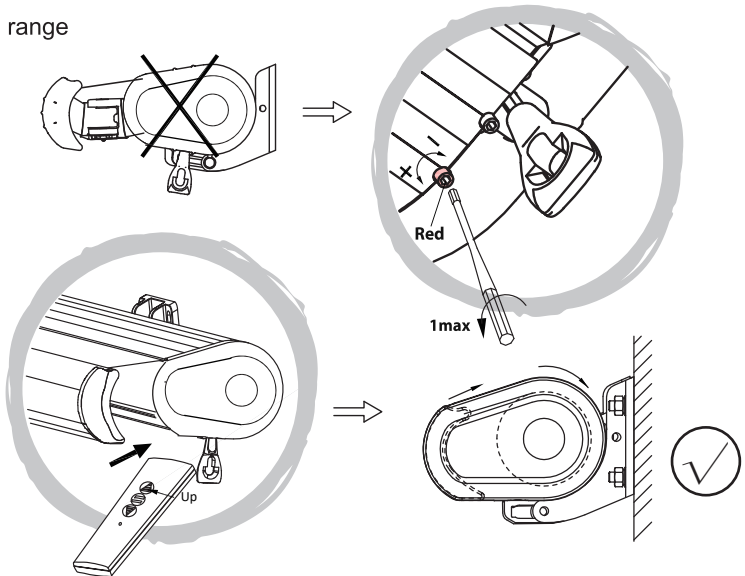


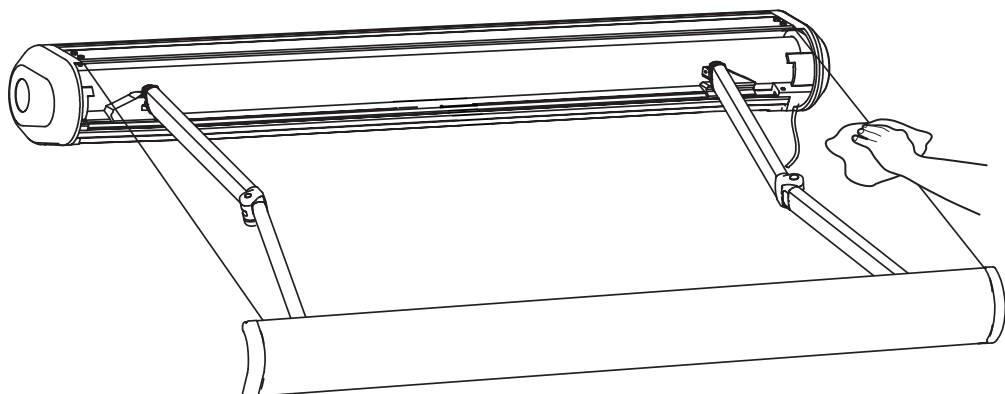
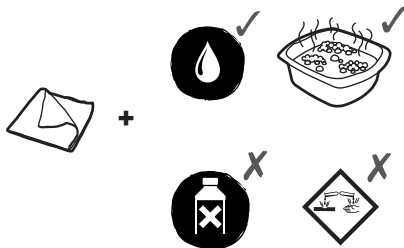
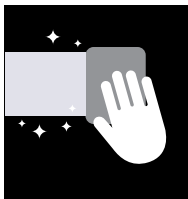
[07] x 1

## A - Set awning opening range



## B - Set awning closing range





## 2.USE

Do not barbecue under the awning or ignite a fire near to the awning.

Don't use it in places that have vibrations or impulses.

Don't use it in places of high temperature such as walls near furnaces.

Never use it in rainy and windy days.

Never use it for other purposes.

Please close the awning in windy and rainy days.

No modification of the awning in any kind is allowed.

Do not open the awning when maintenance, such as window cleaning, is being carried out in the vicinity.

Check the awning every 3 months to ensure all fixing are tightened and no damage on the products.

Do not use the awning if repair is needed. Do not try to repair the product by yourself, contact qualified person for repairing.

Save enough free space around the awning while rolling or unrolling.

## 3.MAINTENANCE

Always close the awning in windy days, heavy rain and when you are not using it.

The products need regularly maintenance, the gear box is the most vulnerable part of the product, so it needs to be checked and added the lubrication oil once for every three months.

Please do not unpick and wash the fabric. If you need replace the fabric, please turn to experts for help.

Check the overall installation and all the fasteners regularly, especially at the beginning of a new season, to ensure the fasteners are tightened and in good conditions.

## Solution of resetting remote control

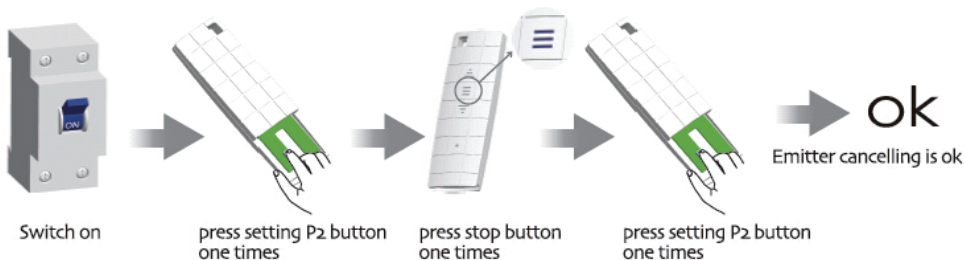
# A

Additional Function

### Cancel Emitter



The interval of each button must within 6 seconds of re-setting, otherwise the system will restore the original state.



Cancel all emitters one by one! Then switch off .

# 5

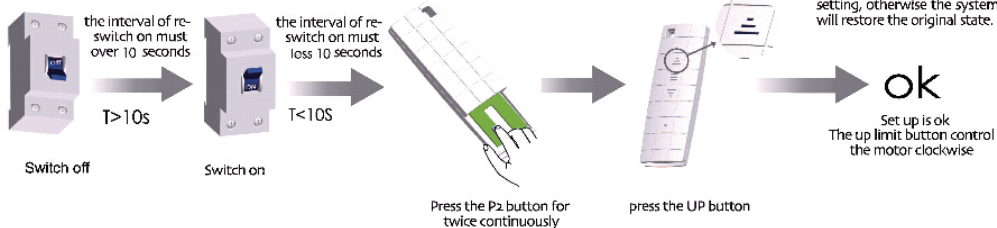
### Programming the first transmitter The first method



Delete all the datas of the motor and the new emitter has been programmed.



The interval of each button must within 6 seconds of re-setting, otherwise the system will restore the original state.



Resetting remote according to above steps, please notice that switch off other awnings before setting.

**US**  
Imported by Aosom LLC  
27150 SW Kinsman Rd Wilsonville, OR 97070 USA  
MADE IN CHINA

**CA**  
Imported by Aosom Canada Inc.  
7270 Woodbine Avenue, Unit 307, Markham, Ontario Canada  
L3R 4B9  
MADE IN CHINA

Importé par Aosom Canada Inc.  
7270 Woodbine Avenue, unité 307, Markham, Ontario Canada  
L3R 4B9  
Fabriqué en Chine

**UK**  
IMPORTER ADDRESS:  
MH STAR UK LTD  
Unit 27, Perivale Park,  
Horsenden lane South  
Perivale, UB6 7RH  
MADE IN CHINA

**FR**  
ADRESSE D'IMPORTATION:  
MH FRANCE  
2 Rue Maurice Hartmann  
92130 Issy Les Moulineaux  
France  
FABRIQUÉ EN CHINE



Adresses sur [quefairedemesdechets.fr](http://quefairedemesdechets.fr)

**ES**  
IMPORTADOR:  
SPANISH AOSOM, S.L.  
C/ROC GROS, Nº15.08550, ELS HOSTALET DE BALENYÀ, SPAIN.  
B66295775  
WWW.AOSOM.ES  
ATENCIONCLIENTE@AOSOM.ES  
TEL: 931294512  
HECHO EN CHINA

**PT**  
SPANISH AOSOM, S.L  
C.ROC GROS N.15, 08550. ELS HOSTALET DE BALENYÀ  
TEL: 931294512 (SEG-SEX DAS 7:30H ÀS 16:30H)  
INFO@AOSOM.PT  
WWW.AOSOM.PT

**DE**  
ADRESSE DES IMPORTEURE:  
MH Handel GmbH  
Wendenstraße 309  
D-20537 Hamburg  
Germany  
IN CHINA HERGESTELLT

**IT**  
IMPORTATO DA:  
AOSOM Italy srl  
Centro Direzionale Milanofiori  
Strada 1 Palazzo F1  
20057 Assago (MI)  
P.I.: 08567220960  
FATTO IN CINA