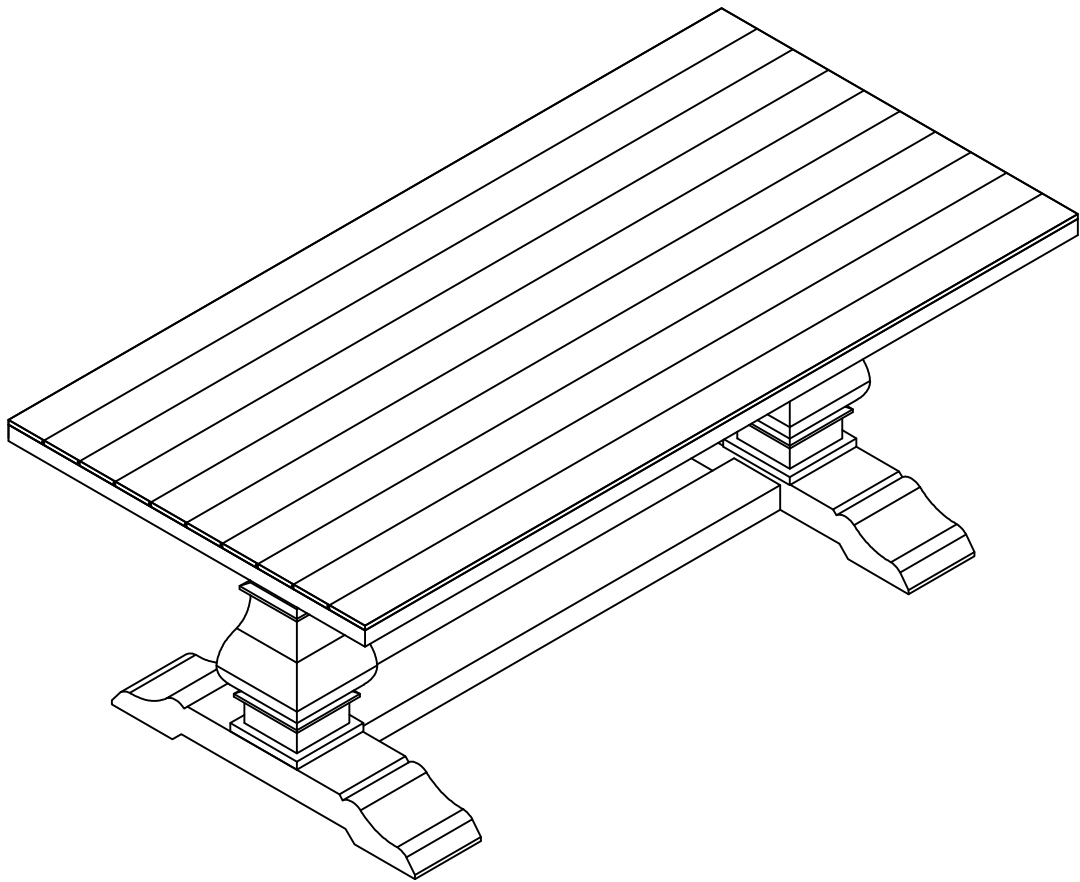
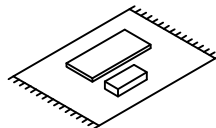
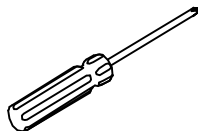
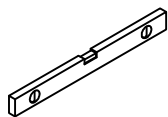
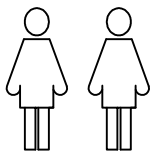


ASSEMBLY INSTRUCTION

BOWOOD DAY 2M DINING TABLE

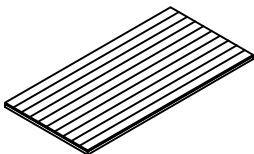
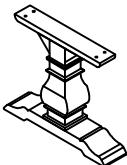
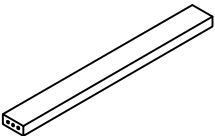


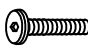


FWS HOME



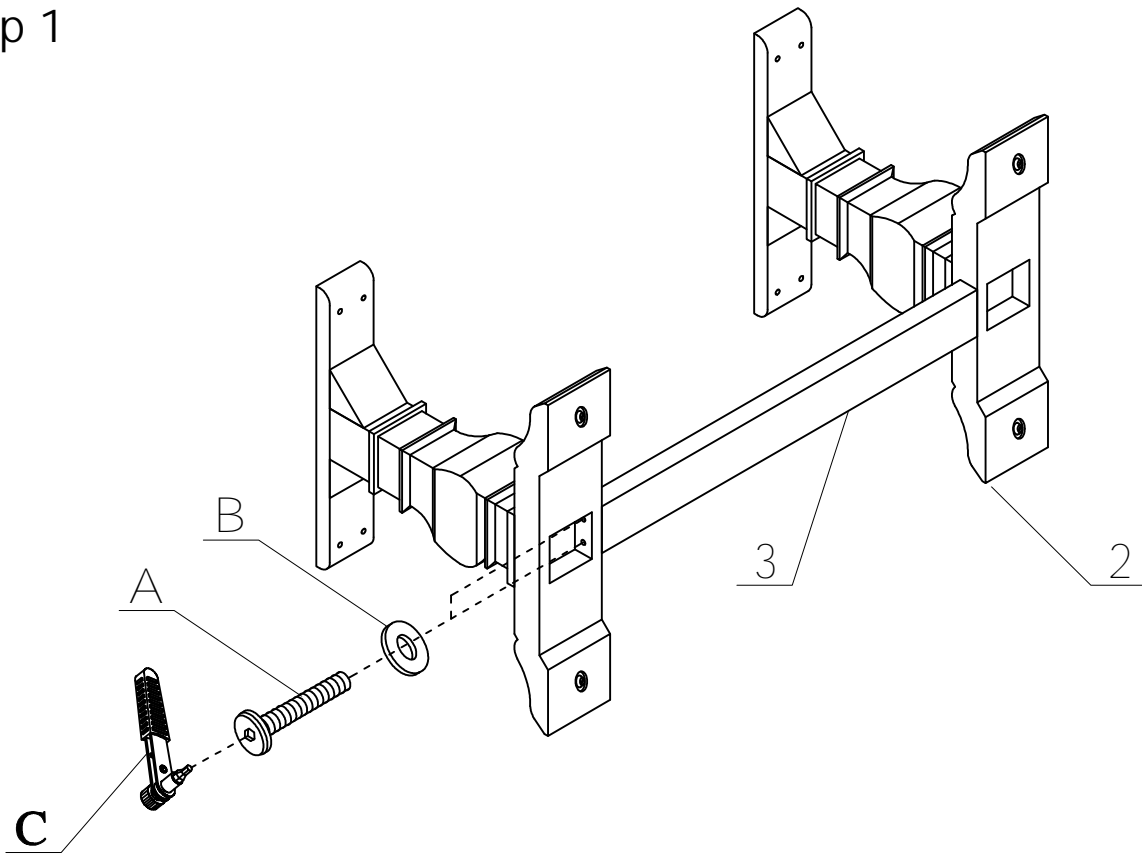
Attention :

- Use adjustable feet to get the furniture in horizontal position
- To increase the durability on top surface, Please use furniture spray on top surface before use . Then regularly or if necessary.
- Do not expose your furniture to any liquids or hot item .
All liquids should be wiped up immediately with a soft and dry cloth.
- When moving furniture, always lift, never drag or push

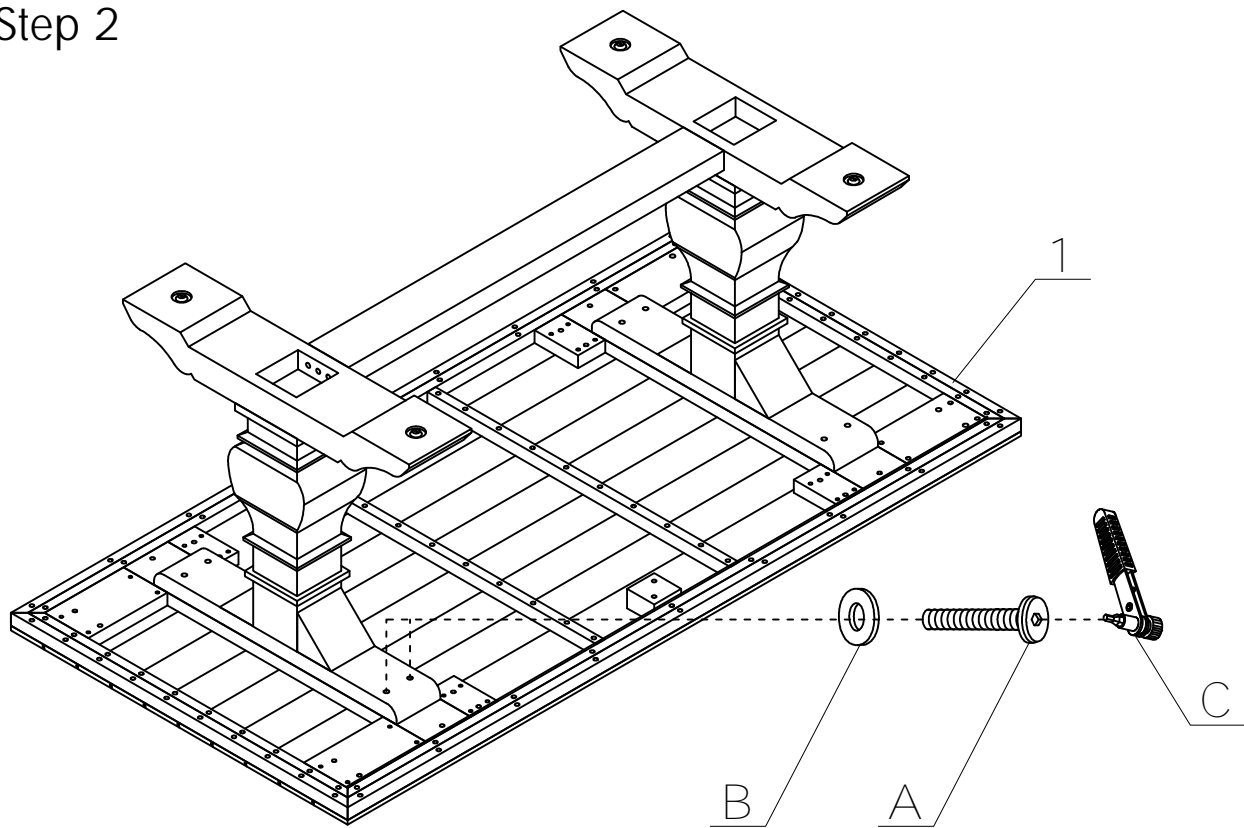
List of parts		
	Description	N.o of pcs
1		1
2		2
3		1

List of hardware			
A		Bolt M8x60mm	12
B		Washer Ø18/Ø8	12
C		Ratchet	1

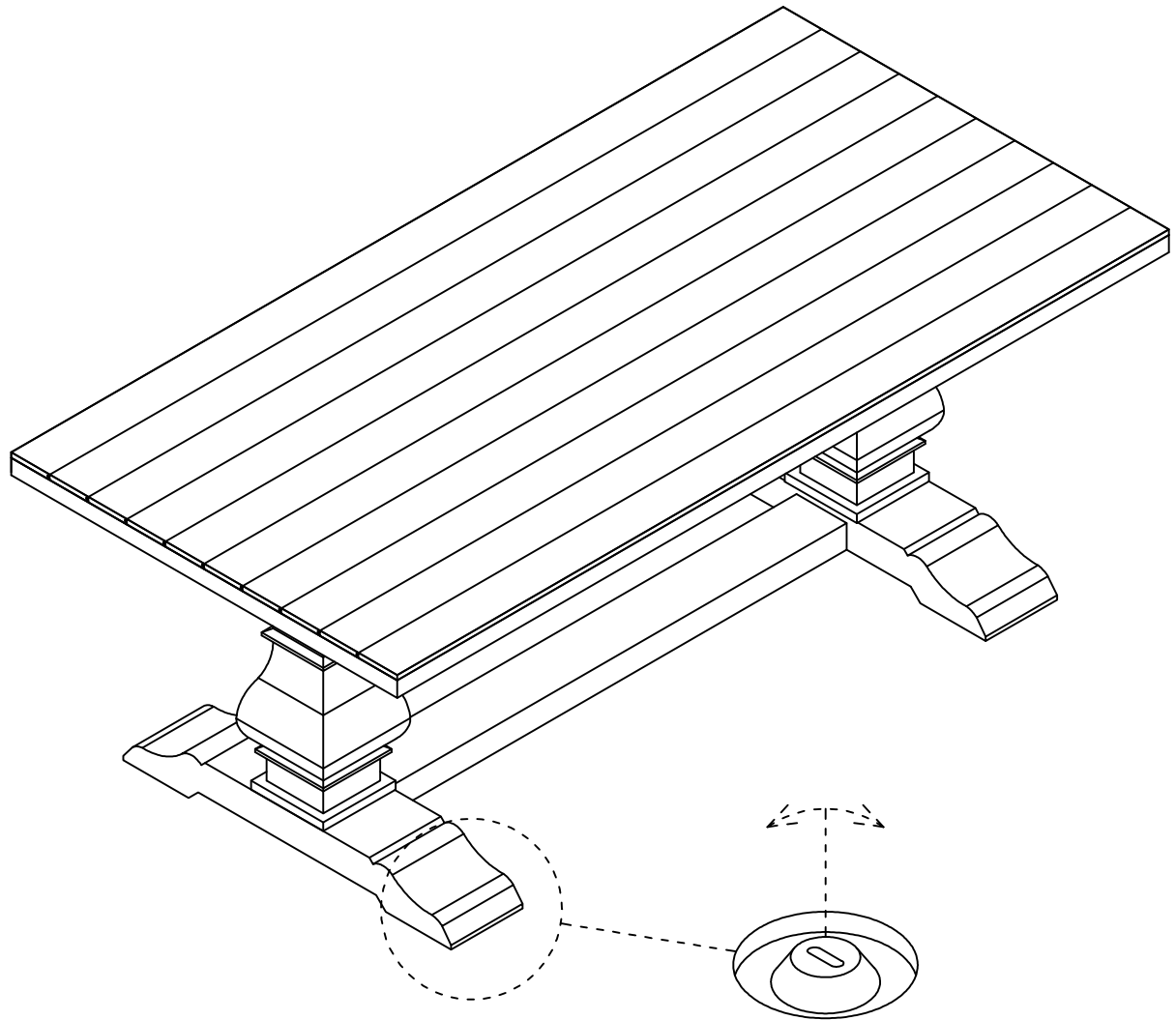
Step 1



Step 2



Picture



Please use the adjustable knobs to level the table

Max weight

