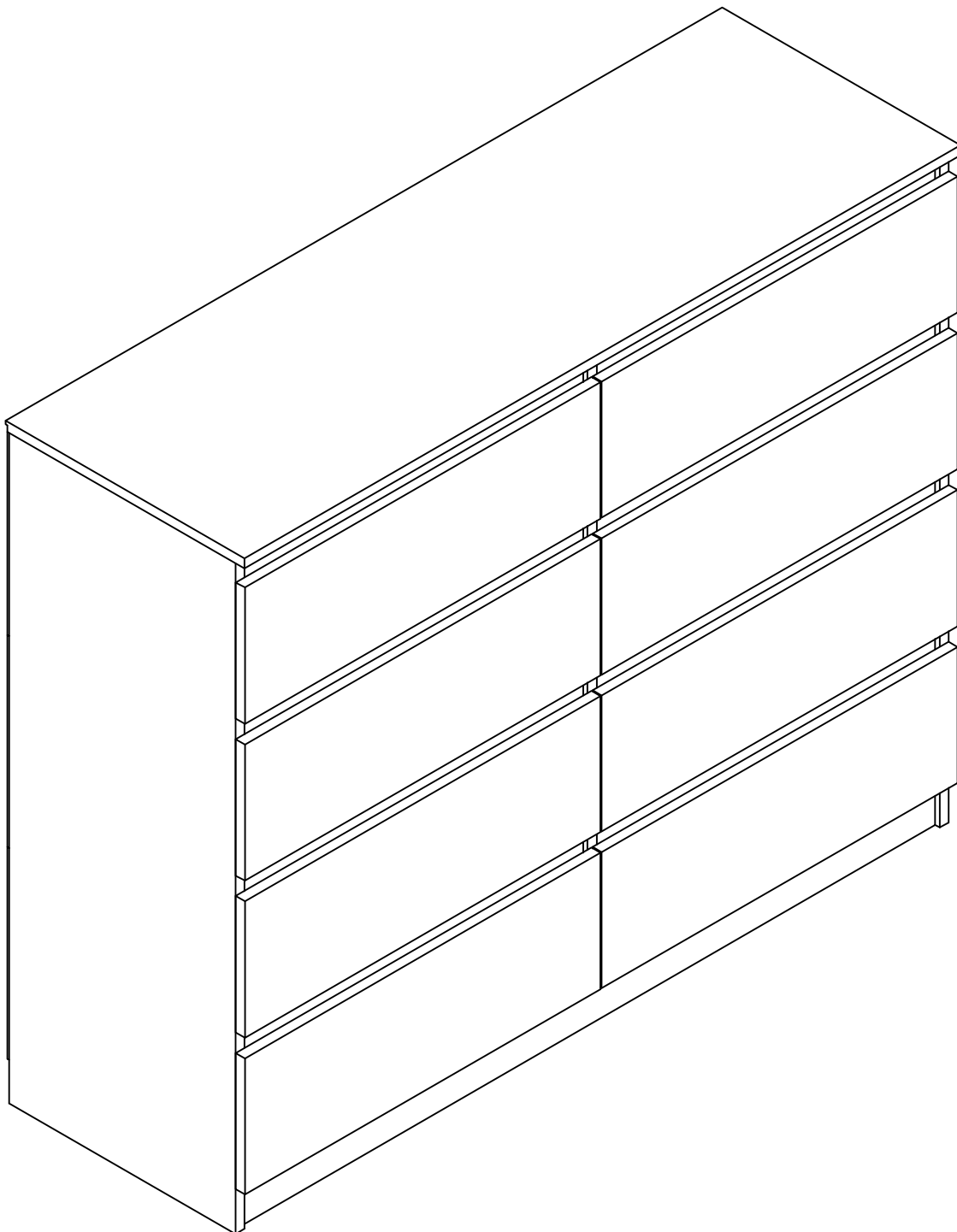


# STORA 4+4 DRAWER CHEST

---

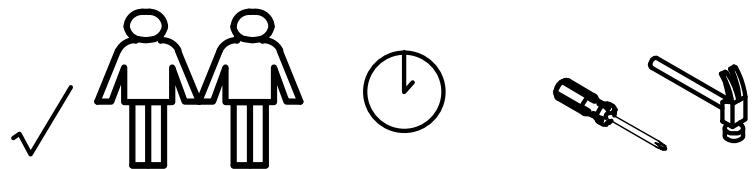
ASSEMBLY INSTRUCTION - Please Keep For Future Reference



# Safety and Care Advice

**IMPORTANT - Please Read This Instruction Carefully Before Assembly.**

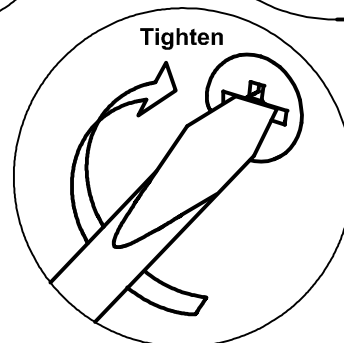
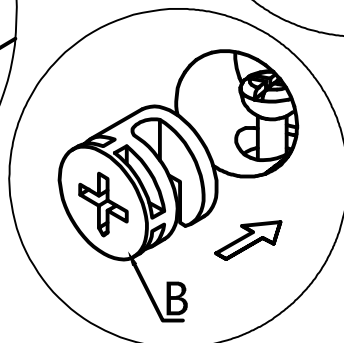
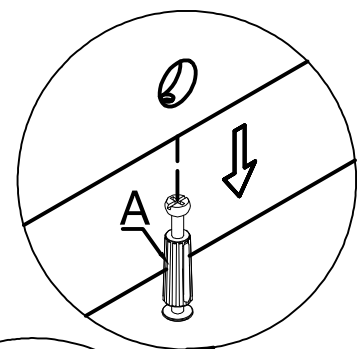
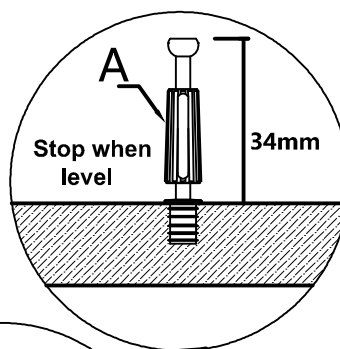
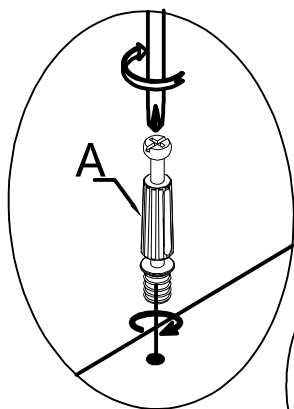
- Check you have all the components and tools listed on page 3.
- Do not stand or put weight on the product, this could cause damage.
- Do not use power drill/drivers for assembly, or the unit may be damaged.
- Remove all settings from the plastic bags and separate them into their groups.
- Assemble the item as close to it's intended position (in the same room) as possible.
- Assemble on a soft level surface to avoid damaging the unit.
- Dispose of all packaging carefully and responsibly.
- Keep children and animals away from the work area, small parts could choke if swallowed.
- Assemble the assembly will be easier with 2 people.
- Make sure you have enough space to layout the parts before assembly.



## CARE and MAINTENANCE

- Only clean using a damp cloth and mild detergent, do not use bleach or abrasive cleaners.
- From time to time check that there are no loose screws on this unit.
- This product should not be discarded with household waste. Take to your local authority waste disposal center.

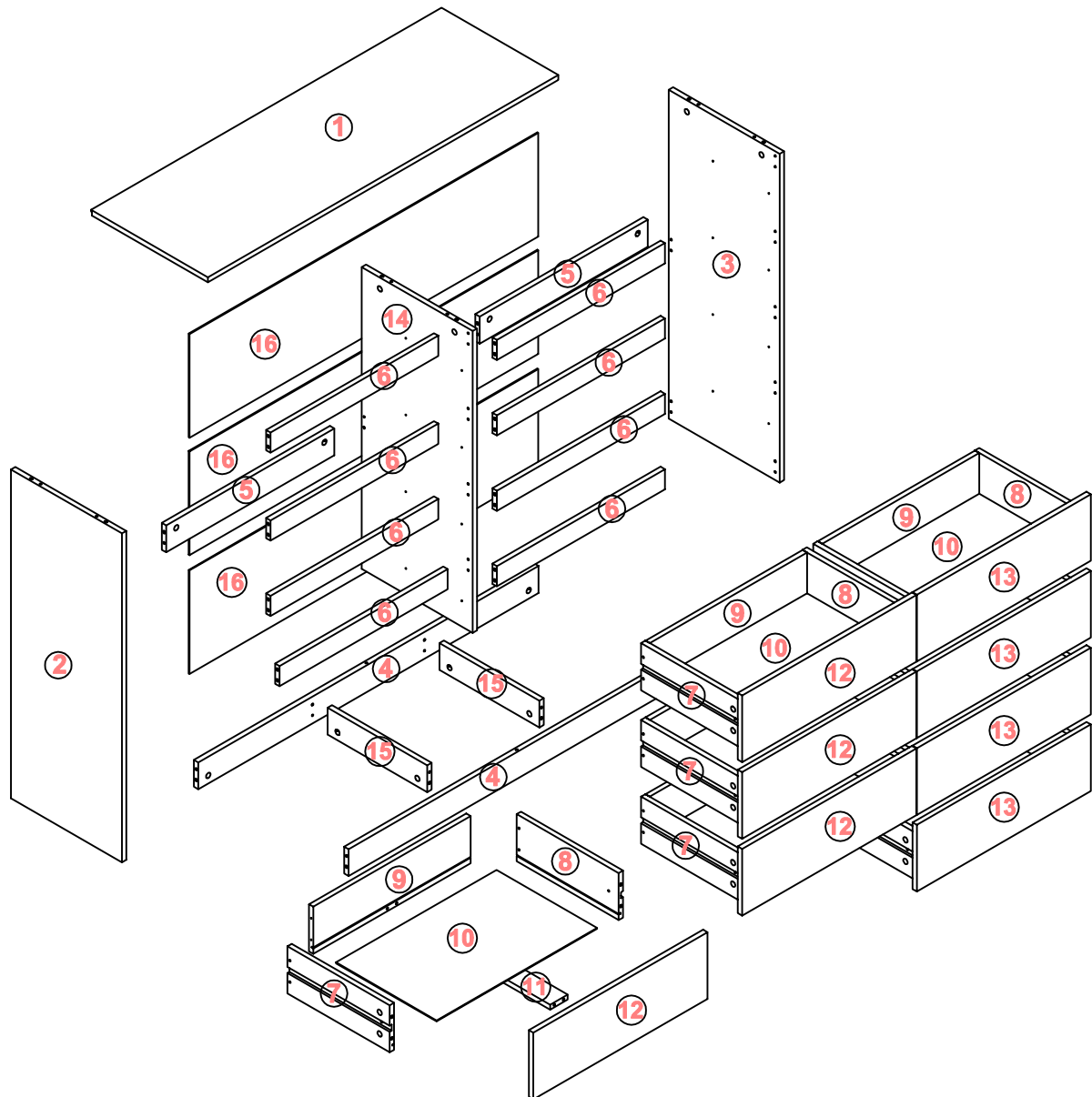
## General Hints & Tips

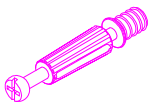
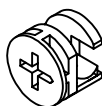
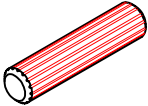

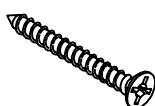



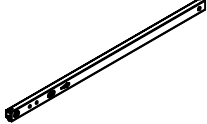
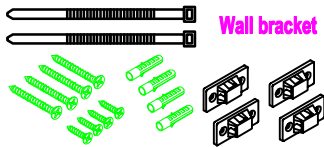


# Components and Tools

**IMPORTANT - Please Check If You Have All The Components and Tools.**

**Note: The quantities below are the correct amount to complete the assembly. In some cases more pieces may be supplied than are required.**



<p><b>A=82</b></p>  <p><b>Peg M6*34mm</b></p>	<p><b>B=82</b></p>  <p><b>Lock M15*12mm</b></p>	<p><b>C=54</b></p>  <p><b>Dowel M8*30mm</b></p>	<p><b>D=32</b></p>  <p><b>Screw M3.5*14mm</b></p>	<p><b>E=32</b></p>  <p><b>Screw M4*38</b></p>	<p><b>F=8</b></p>  <p><b>Plastic Feet</b></p>
<p><b>G=20</b></p>  <p><b>Pin</b></p>	<p><b>H=16</b></p>  <p><b>Screw M4*12mm</b></p>	<p><b>J=16</b></p>  <p><b>Drawer Runner</b></p>	<p><b>P=1</b></p>  <p><b>Wall bracket</b></p>		

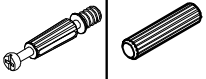
**1OF2 ①, ②, ③, ④ X2, ⑤ X2, ⑥ X8, ⑭, ⑮ X2, ⑯ X2, FITTING KIT**

**2OF2 ⑦ X8, ⑧ X8, ⑨ X8, ⑩ X8, ⑪ X8, ⑫ X4, ⑬ X4**

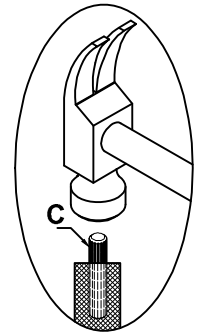
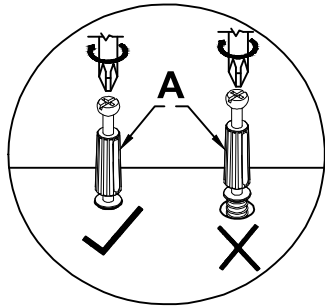
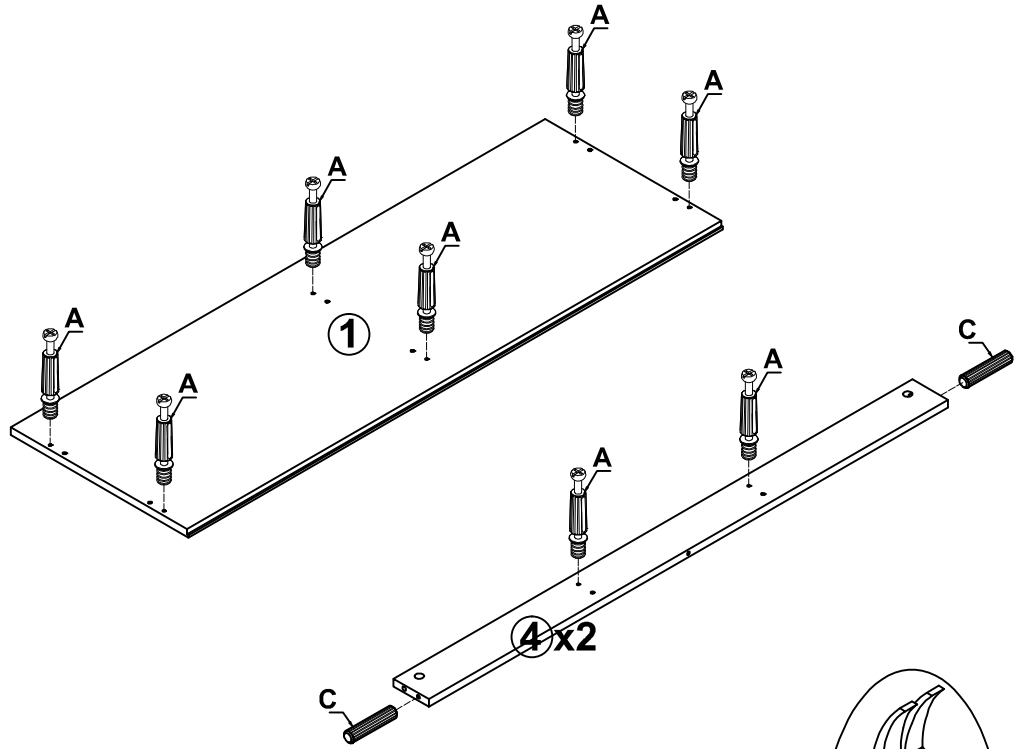
# Assembly Instruction

## Step 1

A=10 C=4

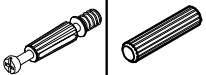


Peg  
Dowel

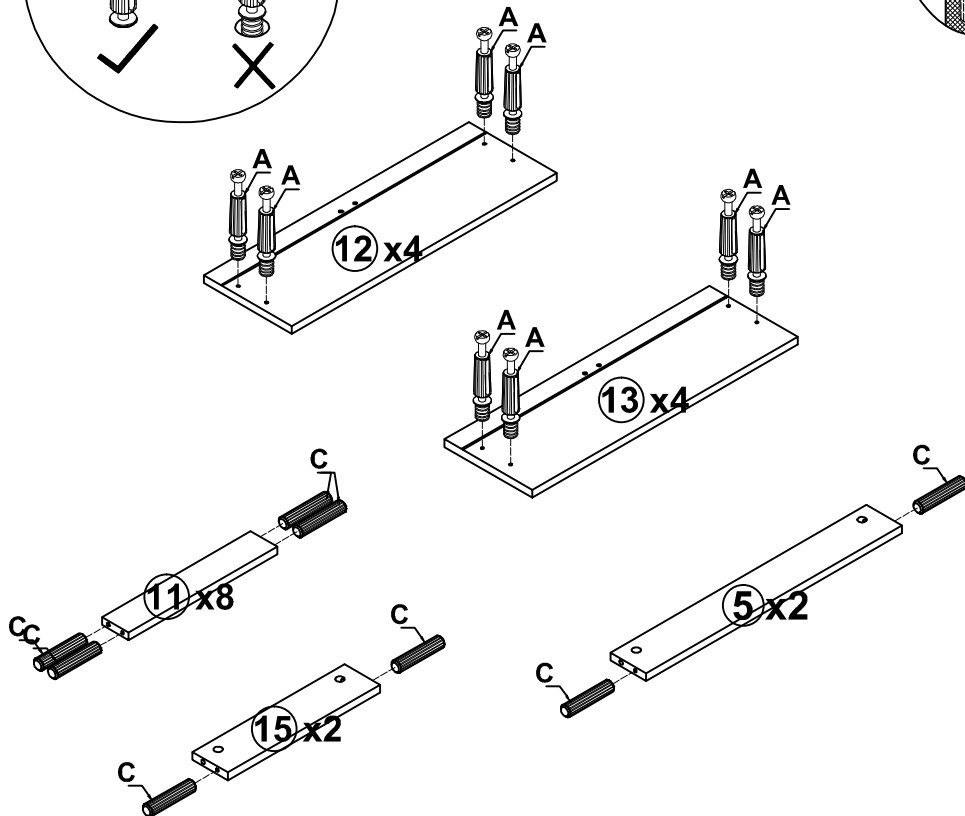


## Step 2

A=32 C=40







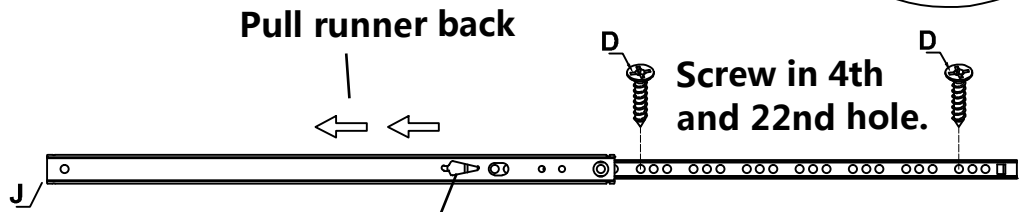
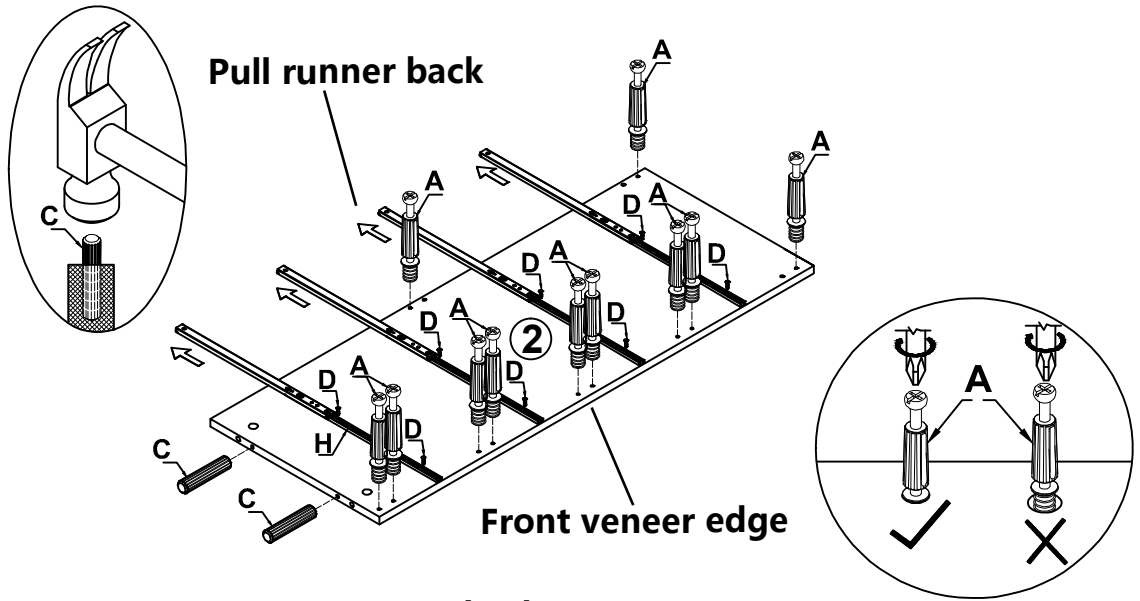
Peg  
Dowel



# Assembly Instruction





## Step 3

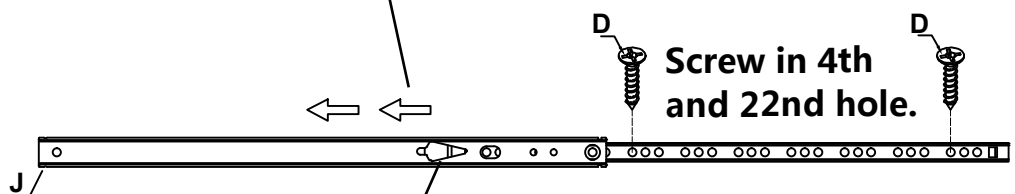
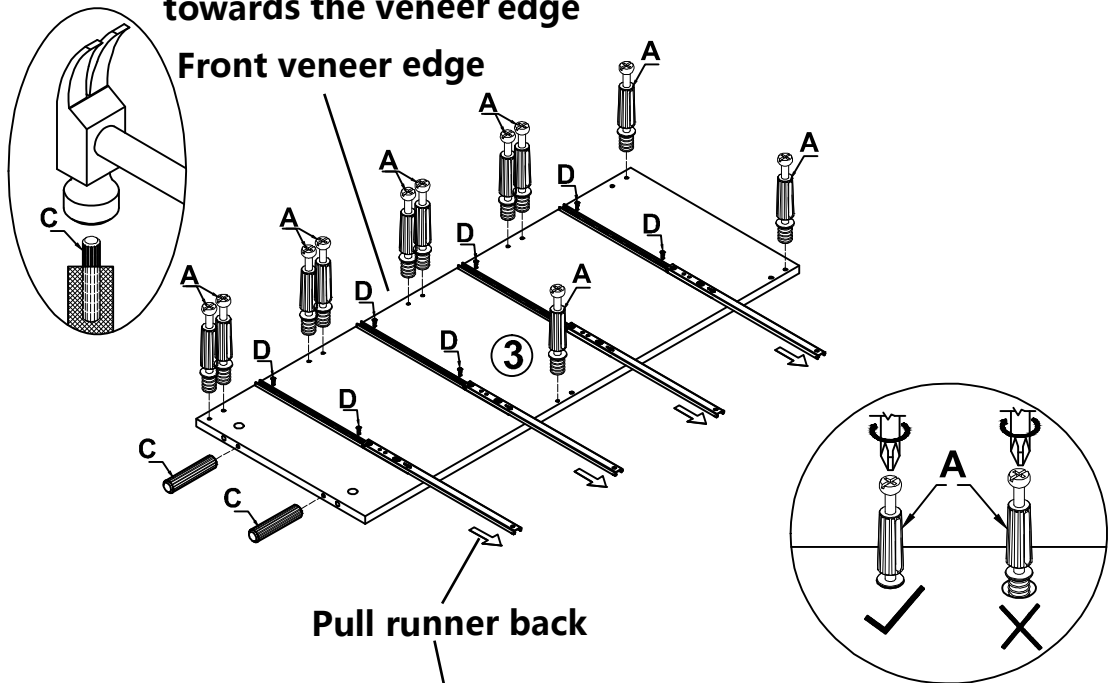
A=11	C=2
	
Peg	Dowel
J=4	D=8
	
Drawer Runner	Screw M3.5*14mm



Make sure this arrow on the runners is pointing towards the veneer edge

## Step 4

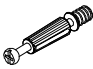



A=11	C=2
	
Peg	Dowel
J=4	D=8
	
Drawer Runner	Screw M3.5*14mm

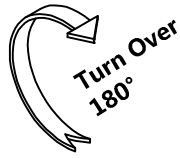
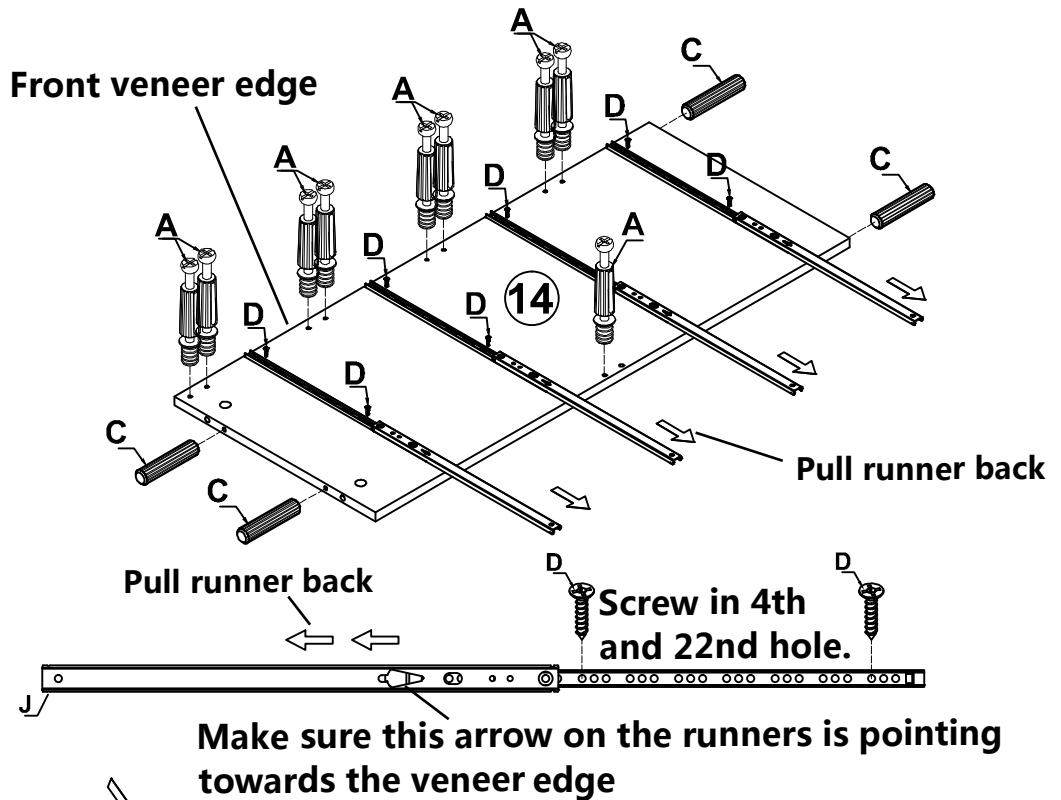


Make sure this arrow on the runners is pointing towards the veneer edge

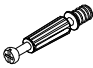


# Assembly Instruction

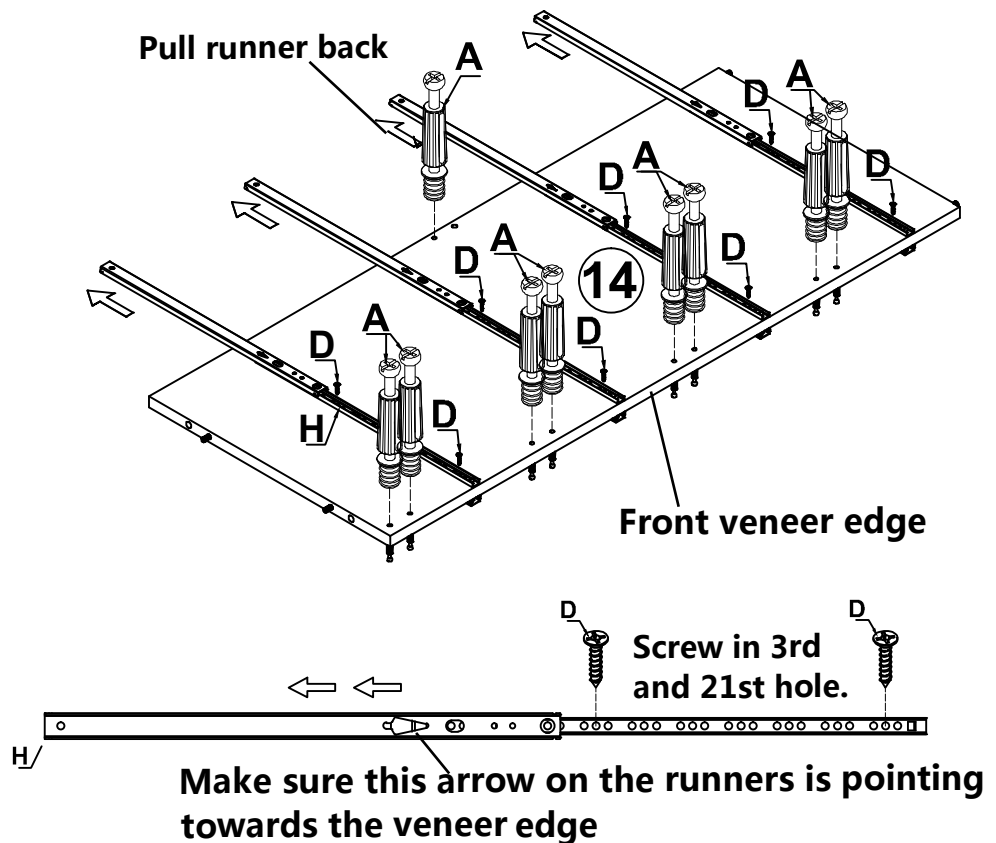
## Step 5

A=9	C=4
	
Peg	Dowel
J=4	D=8
	
Drawer Runner	Screw M3.5*14mm



## Step 6

A=9	J=4
	
Peg	Drawer Runner
D=8	
	
Screw M3.5*14mm	



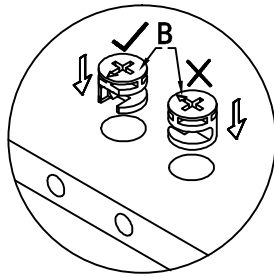
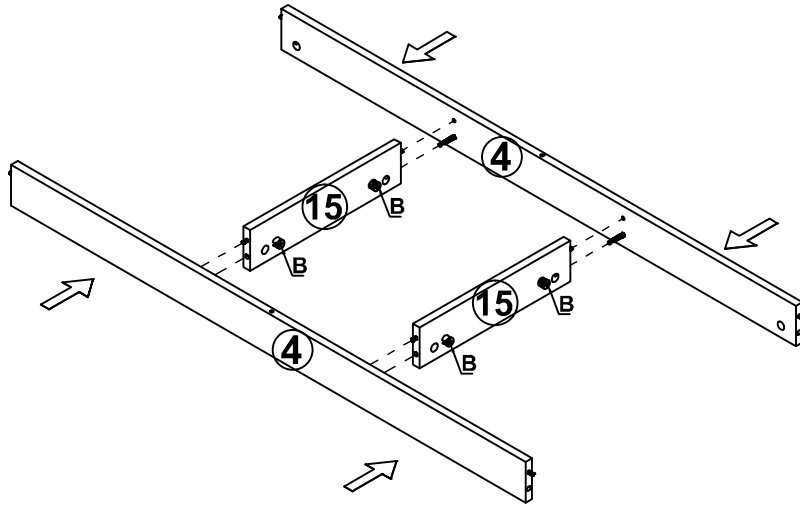
# Assembly Instruction

## Step 7

B=4



Lock

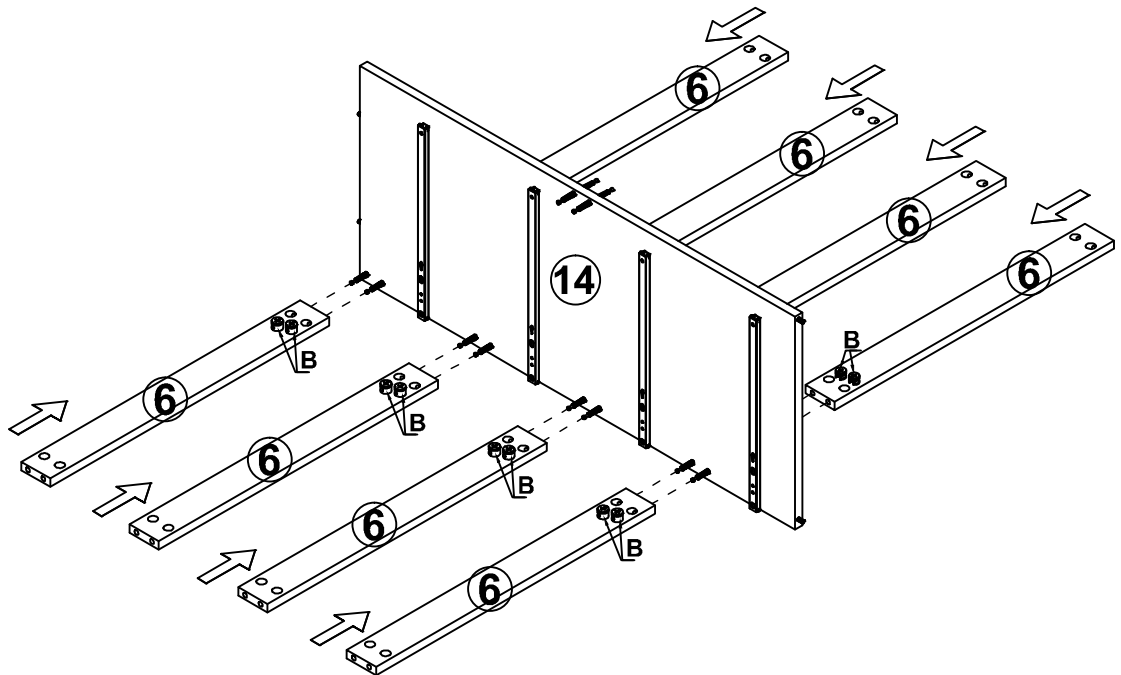


## Step 8

B=16

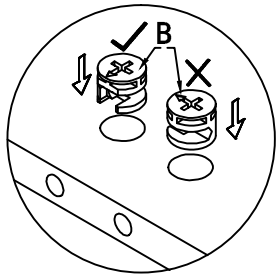
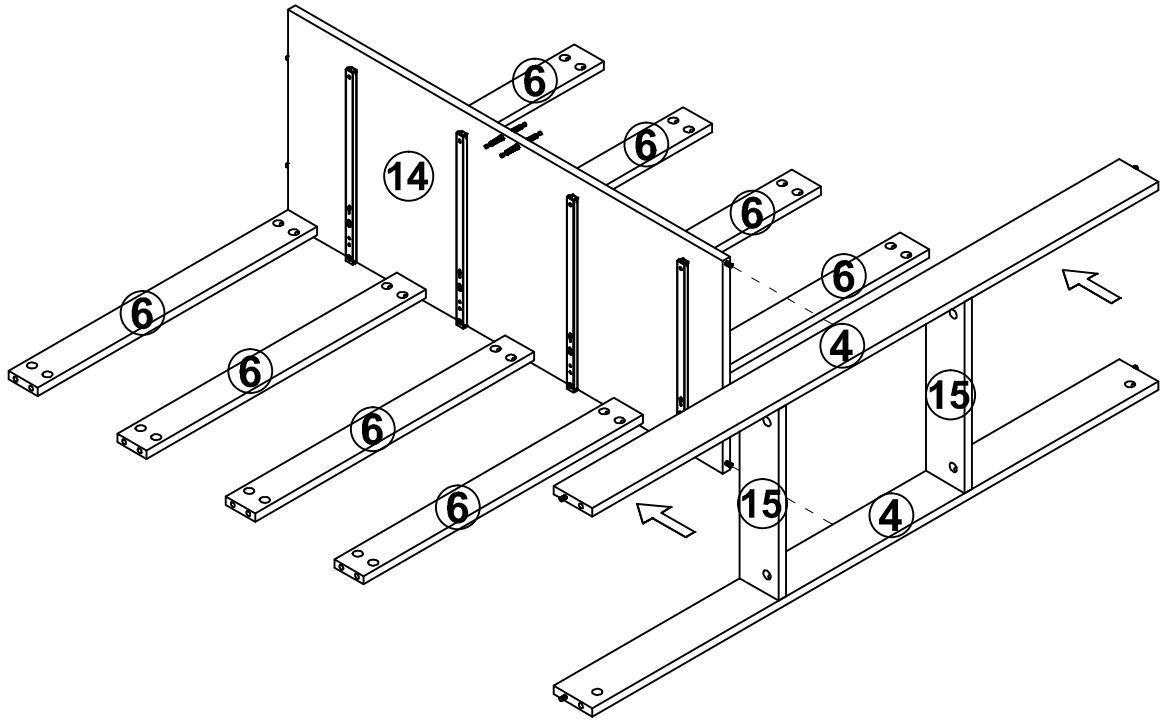


Lock



# Assembly Instruction

## Step 9

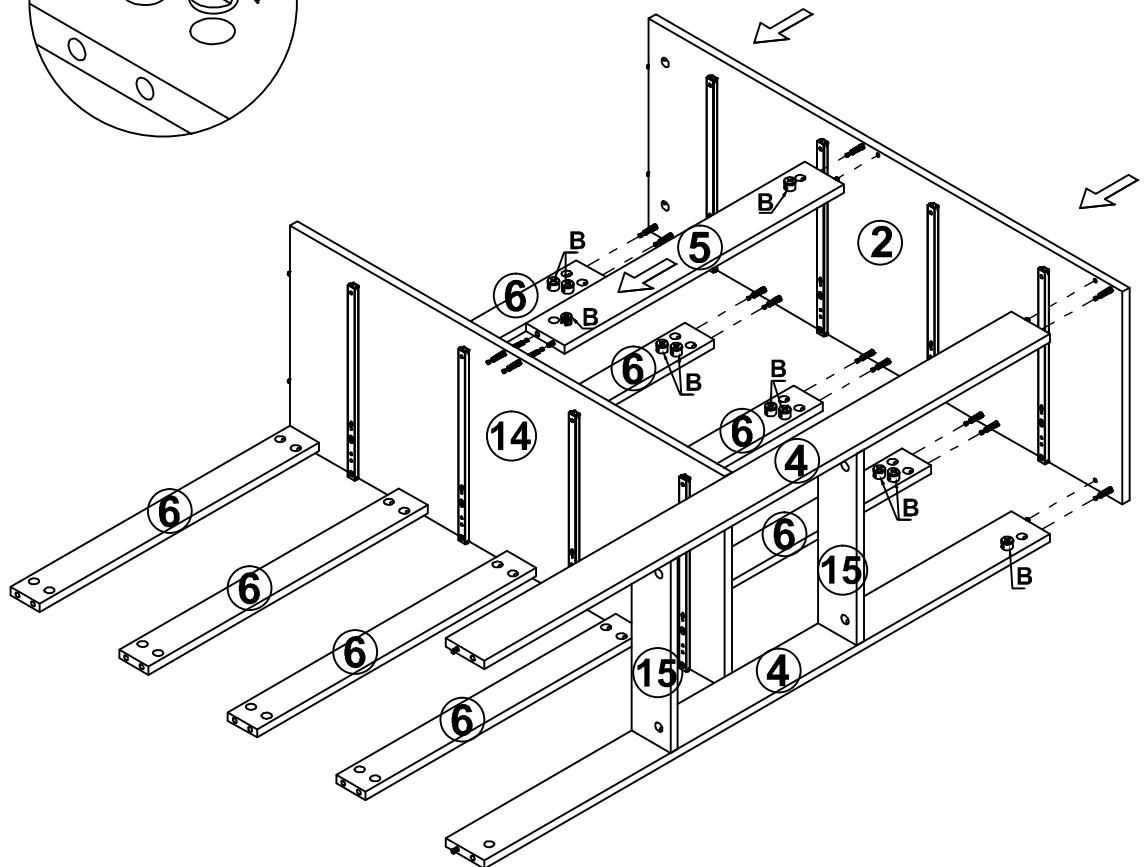


## Step 10

B=12



Lock



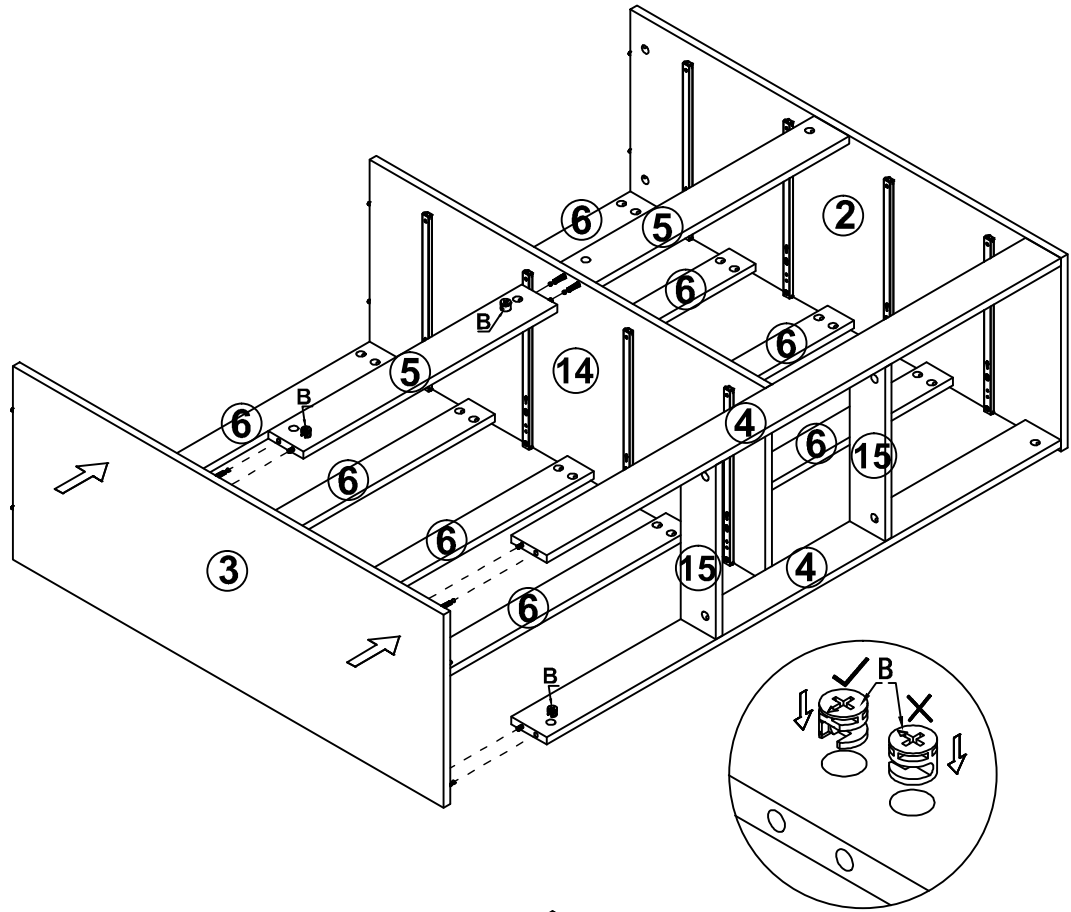
# Assembly Instruction

## Step 11

B=12



Lock

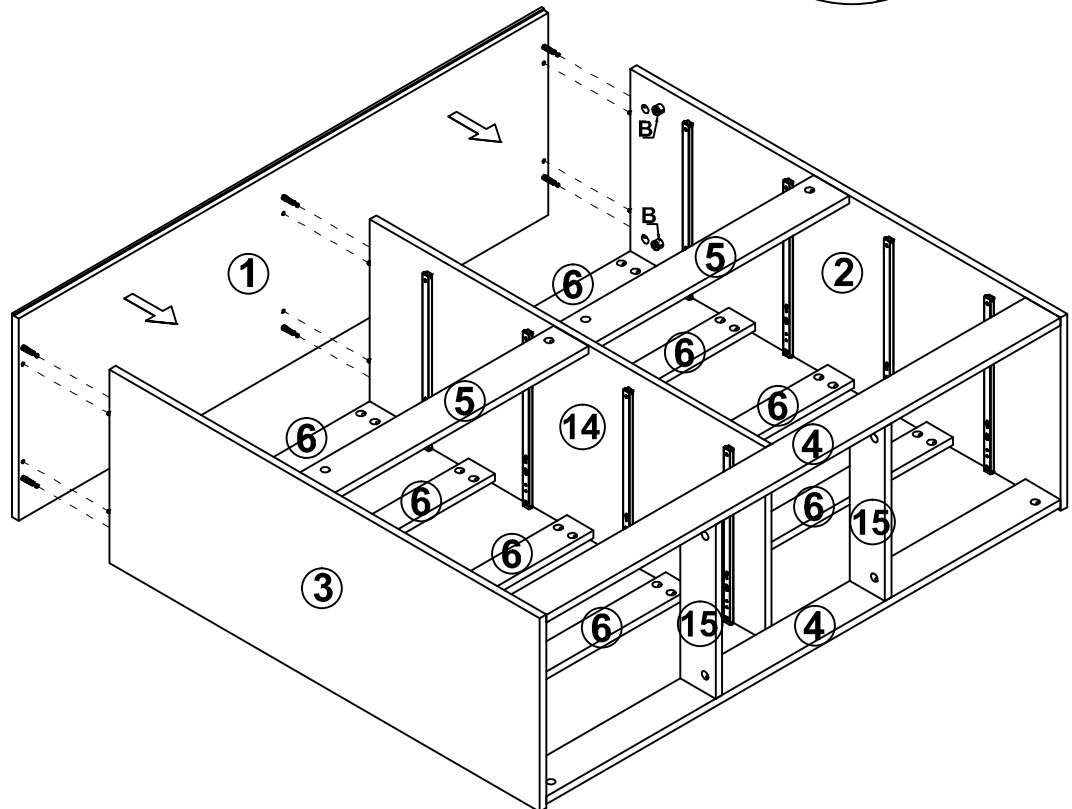


## Step 12

B=6

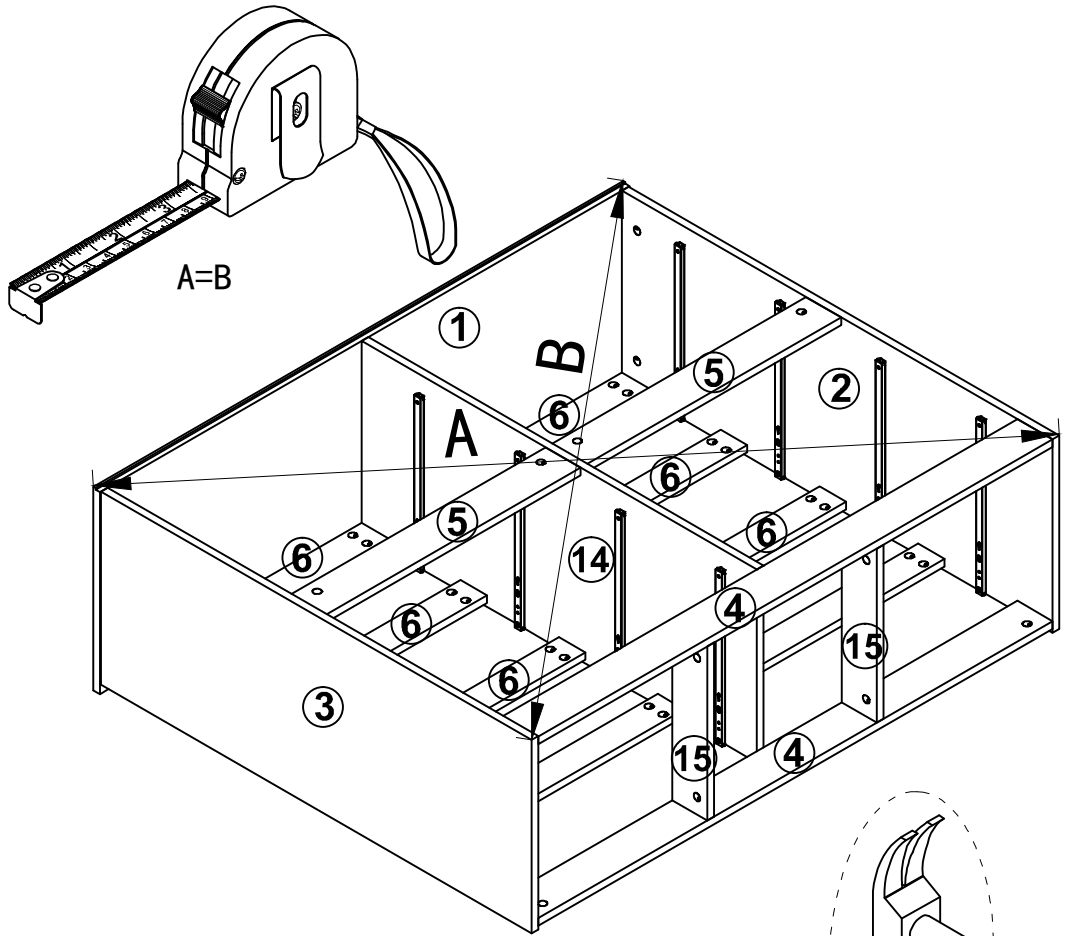


Lock



# Assembly Instruction

## Step 13



## Step 14

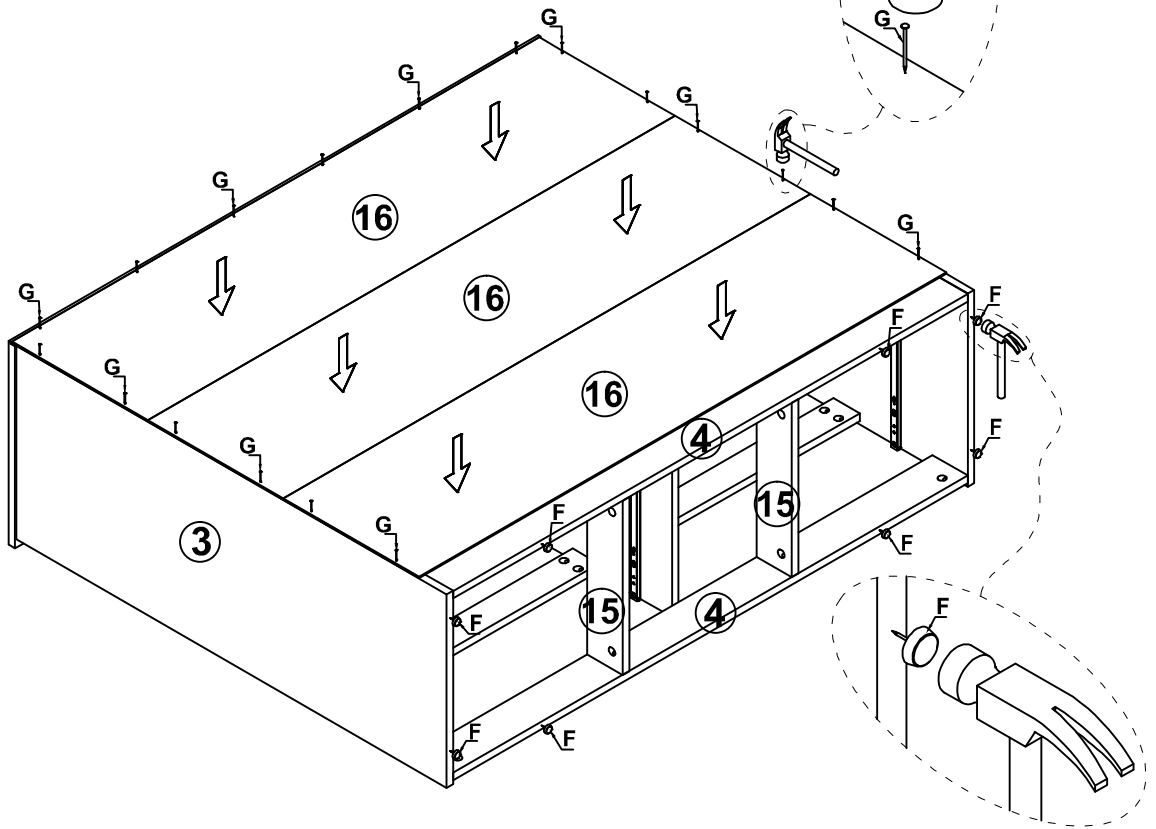
G=18

F=8



Pin

Plastic  
Feet



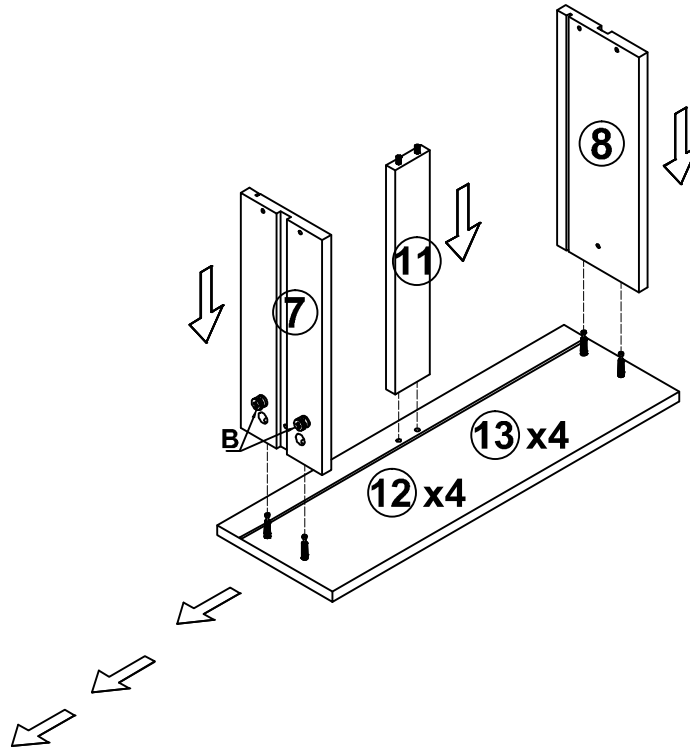
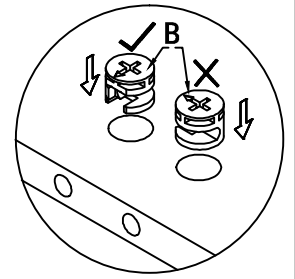
# Assembly Instruction

## Step 15

B=32



Lock

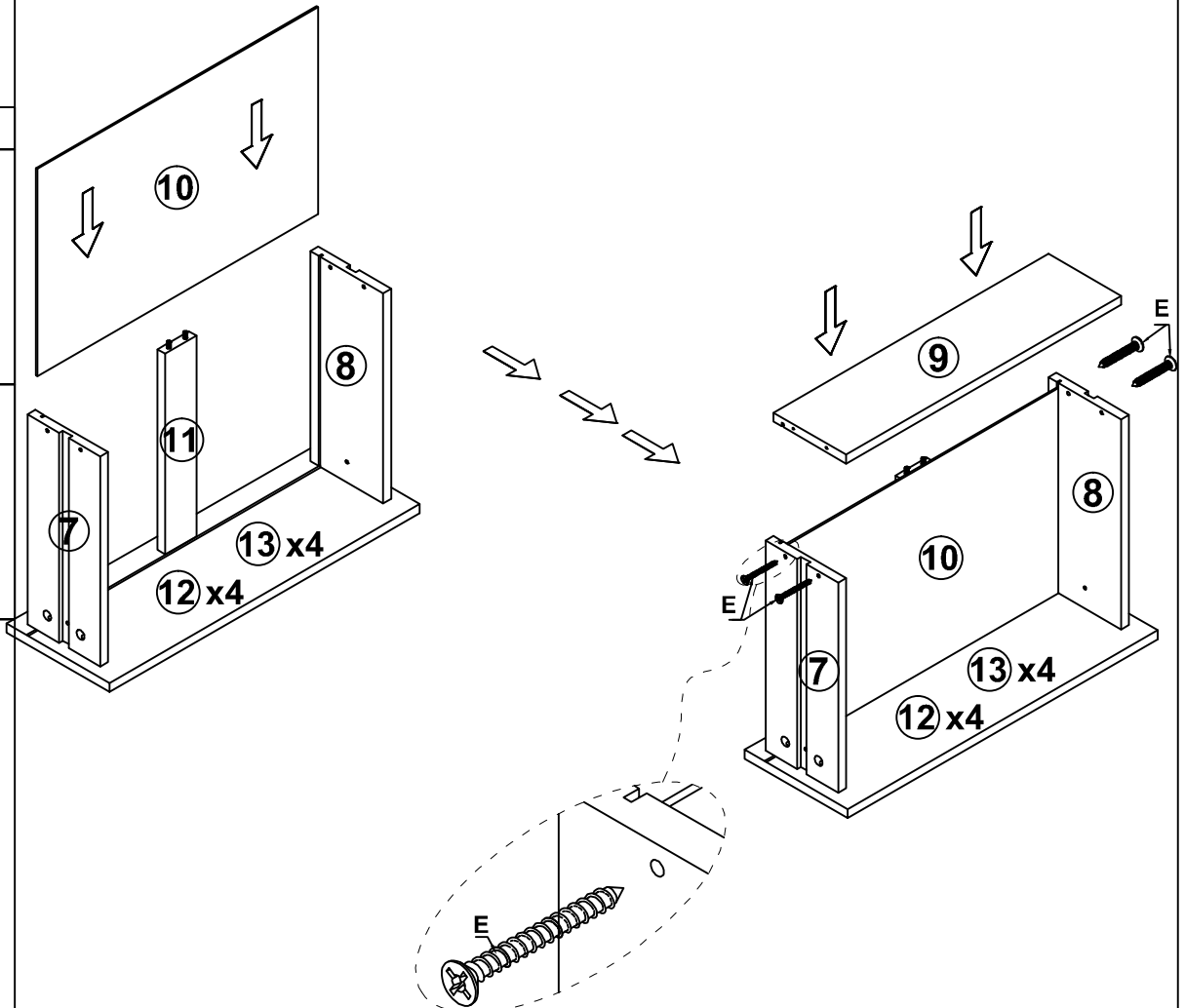


## Step 16

E=32

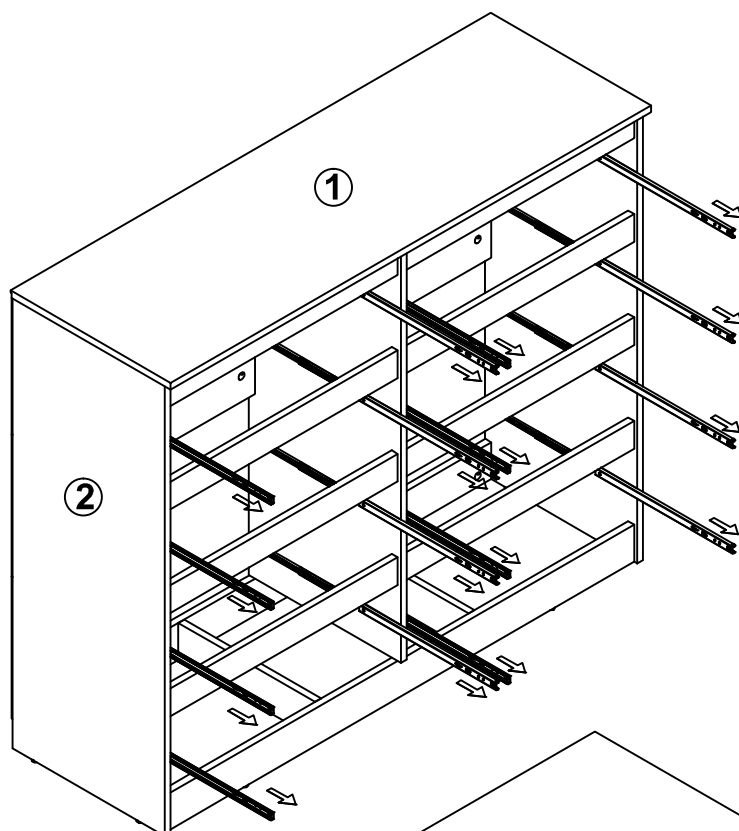


Screw  
M4\*38

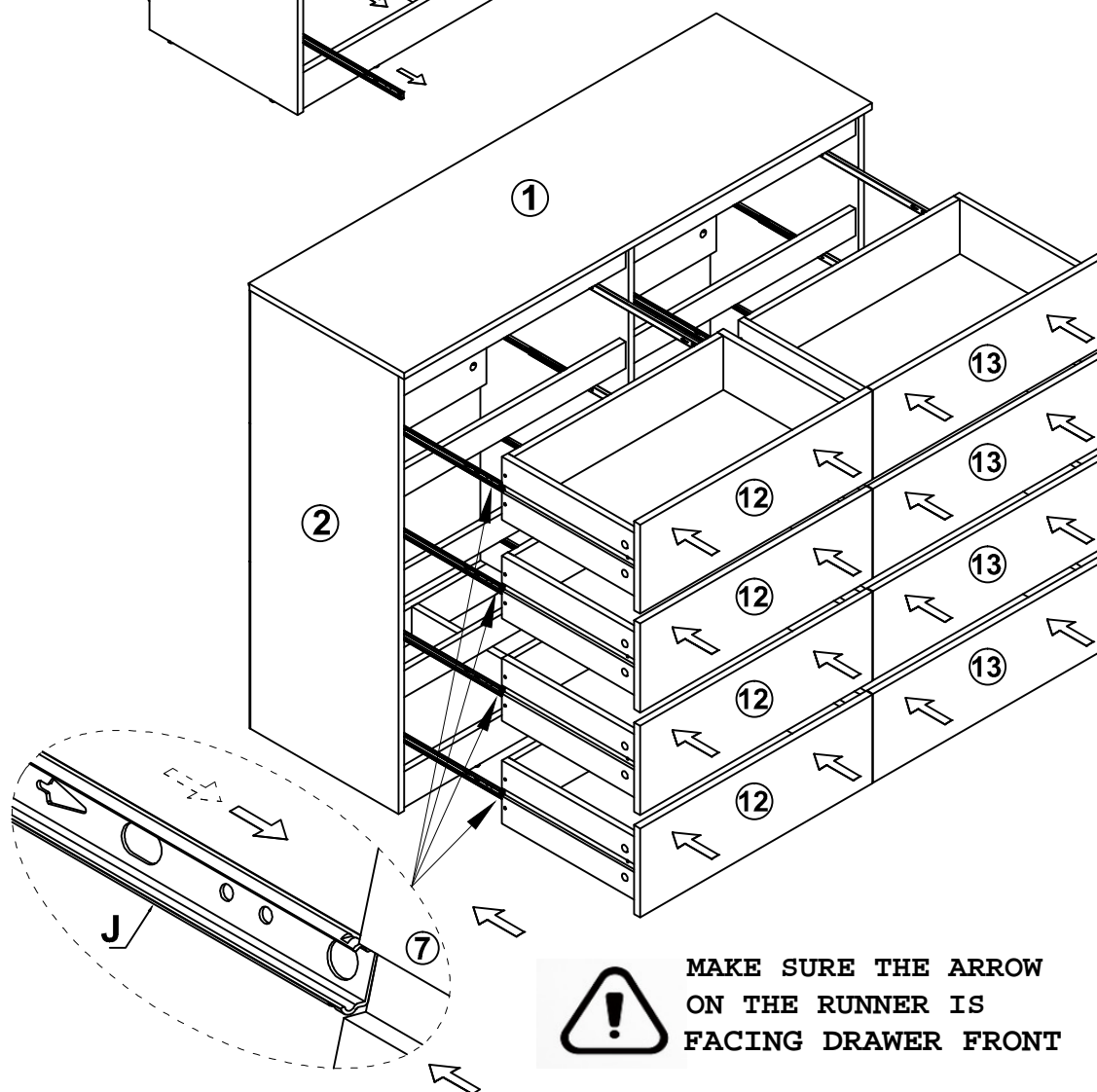


# Assembly Instruction

Step 17



Step 18



MAKE SURE THE ARROW  
ON THE RUNNER IS  
FACING DRAWER FRONT

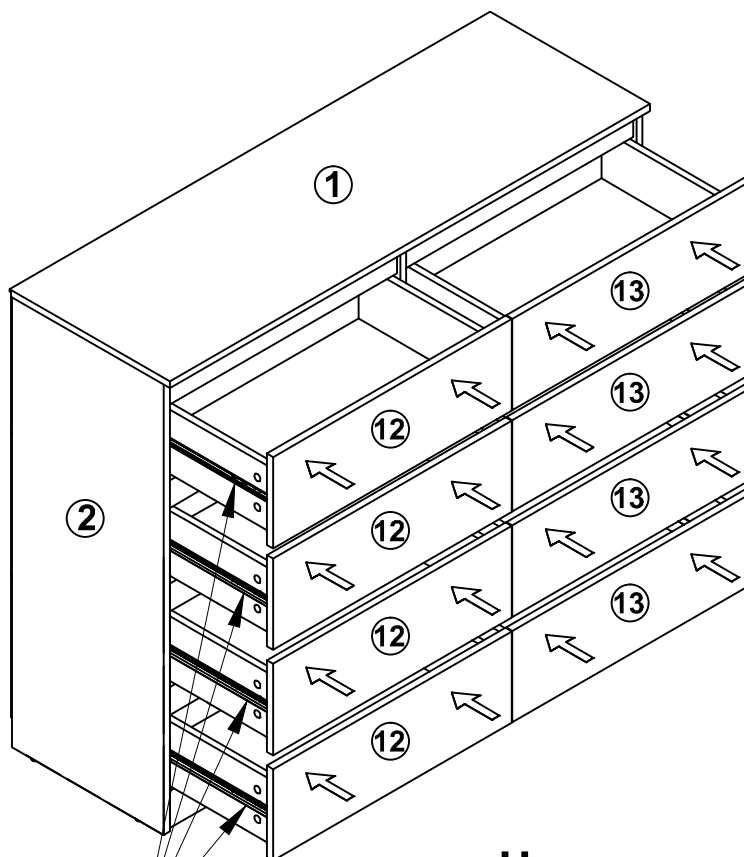
# Assembly Instruction

## Step 19

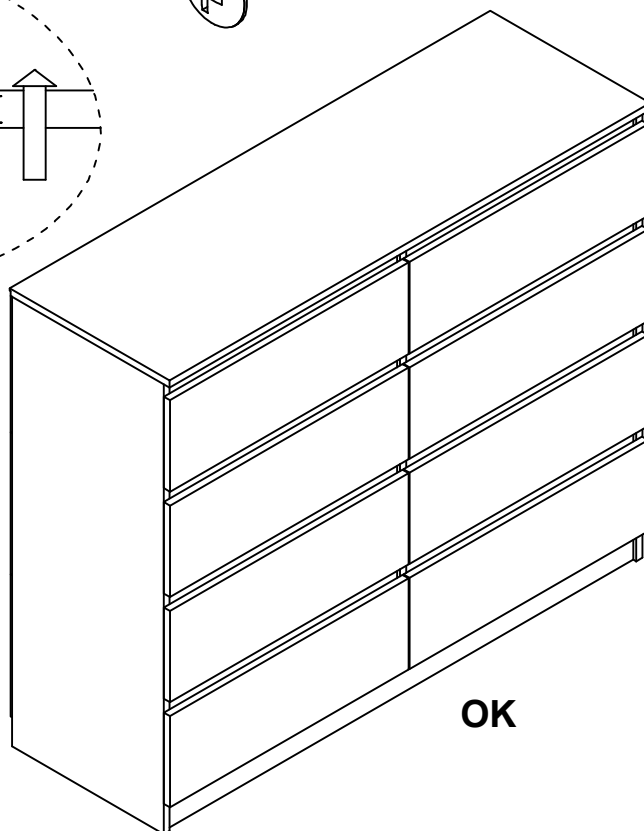
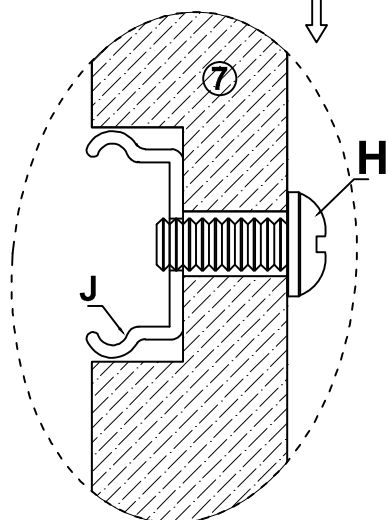
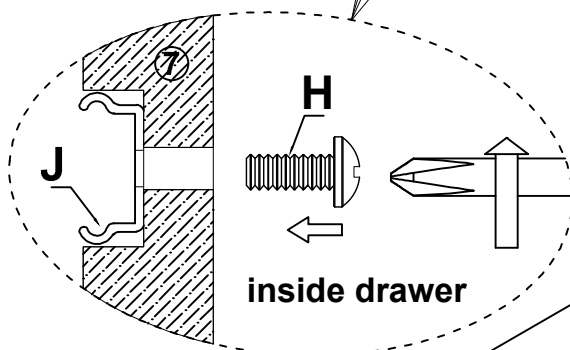
H=16



Screw  
M4\*12mm



## Step 20



P=1

