

Coiled track fixing instructions

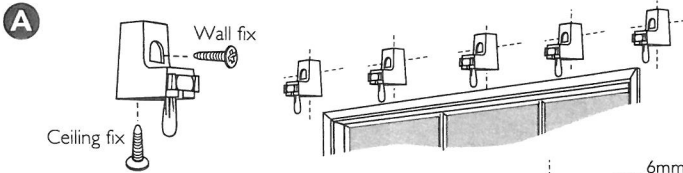
Please note: This product is supplied with fittings for general use. These fittings may not be suitable for all wall types. Please use appropriate fittings suitable for your wall type.

We recommend a professional or a person competent in DIY undertake this installation.

Parts in the pack

Coiled track	Left end stop	Right end stop	Locking support	glider hook	screw & wall plug set
1 x 350cm	2	2	12	36	12 sets
1 x 500cm	3	3	18	48	18 sets

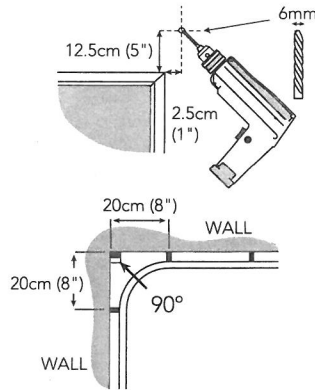
Positioning the supports



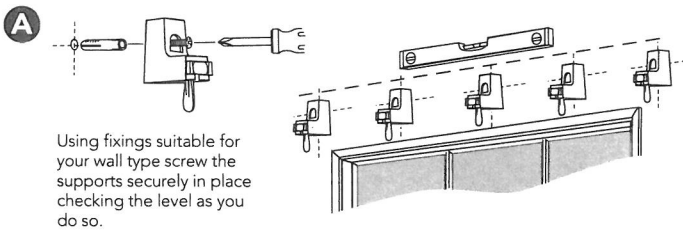
The supports can be either top or face fixed. Evenly space the locking supports along the window length making sure they are level.

Mark the support positions. Drill positions.

B For bay windows to generate a smooth bend position the supports as shown.

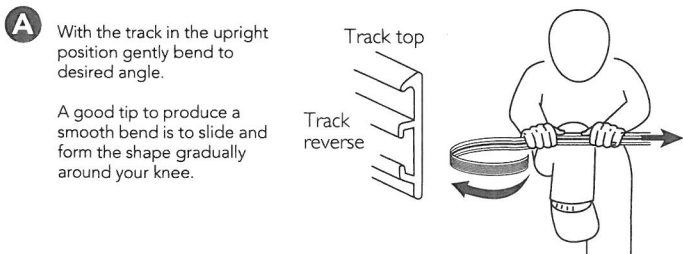


Hanging the supports



Using fixings suitable for your wall type screw the supports securely in place checking the level as you do so.

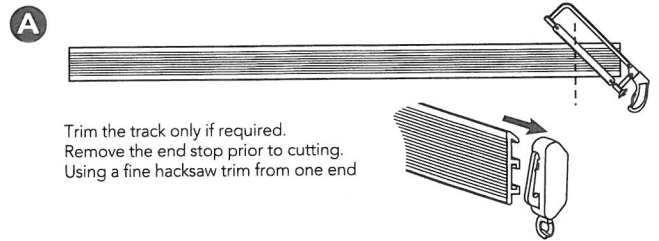
Bending the track



A With the track in the upright position gently bend to desired angle.

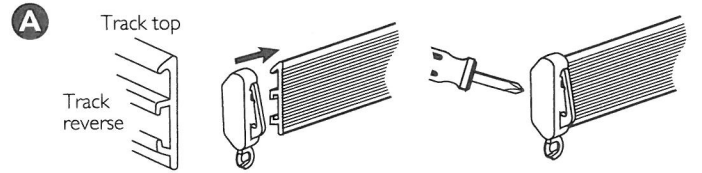
A good tip to produce a smooth bend is to slide and form the shape gradually around your knee.

Trimming the track

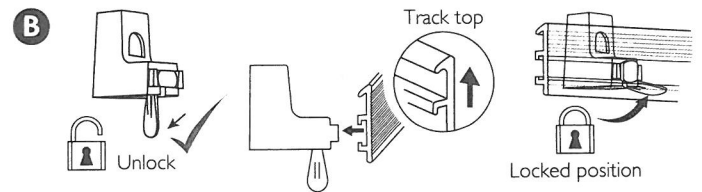


Trim the track only if required. Remove the end stop prior to cutting. Using a fine hacksaw trim from one end.

Hanging the track

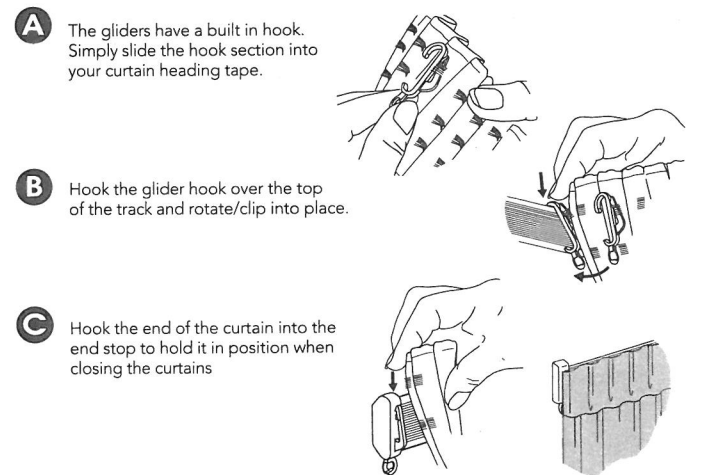


With the track the right way up as shown slip the end stops into place and secure with the small screws on the reverse. Note: There are left and right end stops.



Check locking supports and set them in the unlocked position. Align and clip the track onto the locking supports. Lock the track into place by rotating the lever on the locking supports into the horizontal position.

Using the glider hooks



A The gliders have a built in hook. Simply slide the hook section into your curtain heading tape.

B Hook the glider hook over the top of the track and rotate/clip into place.

C Hook the end of the curtain into the end stop to hold it in position when closing the curtains