



IN221000655V01_UK

370-166V70



CHILDREN'S ELECTRONIC TOY BEACH CAR

- Suitable for 18-36 month
- Maximum user weight: 20 kg



WARNING: Must be assembled by an adult.

Read and understand this entire manual before using!

Please keep this manual for future reference as it contains important information. Before first time use, charge the battery for at least 4-6 hours, but no more than 10hours.

IMPORTANT, RETAIN FOR FUTURE REFERENCE: READ CAREFULLY

ASSEMBLY INSTRUCTION

On the purchase of your new Ride-On.

This ride-on car will provide your child with many miles of riding of enjoyment. To help assure you and your rider a safe ride we ask you to please read this manual carefully, and keep it for future reference.

Follow the recommendations in this manual, they are designed to improve the safety and operation of your ride-on car and its rider.

Specification

Battery	6V4.5AH X1	6V7AH X1	
Charger	6V500mA	6V700MA-1000MA	
input	Depend on local voltage		
Motor	390-9000~12000	390-9000~12000	

Suitable age: 18-36 months

Charge time: 8~12 hours

Load capacity: Under 20 kg

Size of car: 720 x 400 x 455 mm

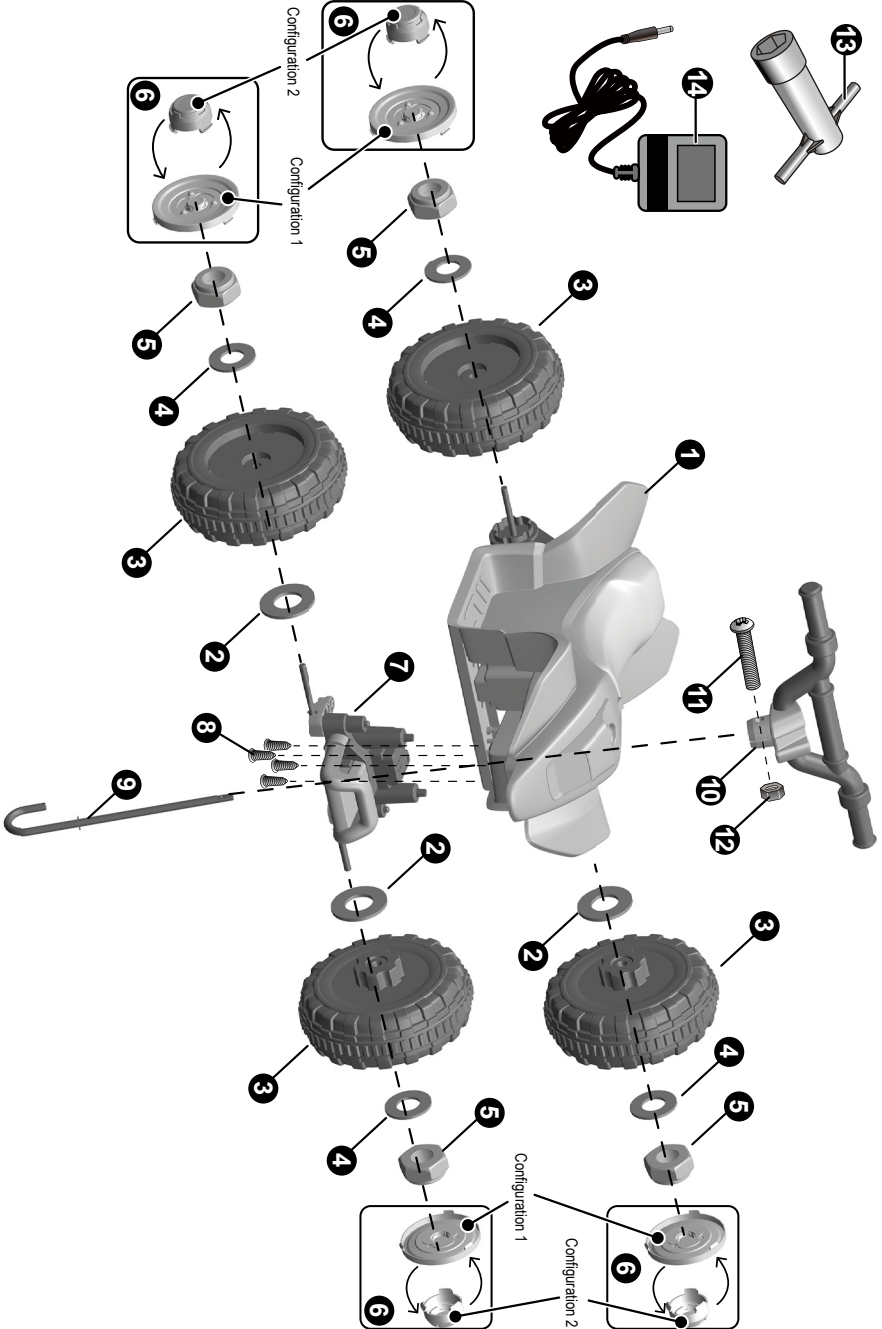
Speed: 2.8-4.6 km/h

Parts List

B

NO.	PART NAME	Q'TY (PCS)		REMARK
		Configuration 1	Configuration 2	
1	Vehicle body	1	1	
2	Ø10 washer	3	3	
3	Wheel	4	4	
4	Ø8 washer	4	4	
5	Lock nut	4	4	
6	Wheel cover	4	\	Optional
	Hubcap	\	4	Optional
7	Front axle lingage	1	1	
8	Ø4x16 screw	4	4	
9	Steering column	1	1	
10	Handle bar	1	1	
11	M5x30 machine screw	1	1	
12	Ø5 nut	1	1	
13	Spanner	2	2	
14	Charger	1	1	

Parts Diagram



HINT: Some parts shown are assembled on both sides of vehicle

**PREVENT INJURIES AND DEATHS:**

- **NEVER LEAVE CHILD UNATTENDED. ADULT DIRECT SUPERVISION IS REQUIRED.** Always keep child in view when child is in vehicle.
- This toy should be used with caution since skill is required to avoid falls or collisions causing injury to the user or third parties.
- Protective equipment should be worn.
- Never use in roadways, near cars, or on near steep inclines or steps, swimming pools or other bodies of water.
- Always wear shoes, always sit on the seat.
- Not to be used in traffic.
- This toy is suitable for children 18-36 months due to its maximum speed; Maximum user weight is 20 kg.
- This toy has no brake.

**WARNING:**

- **Must be assembled by an adult.**

Rules for Safe Riding

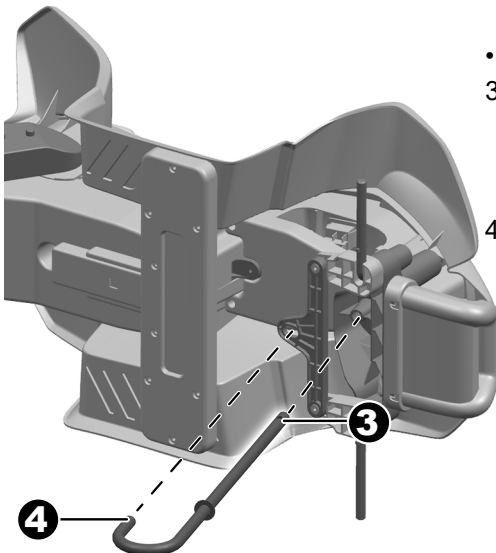
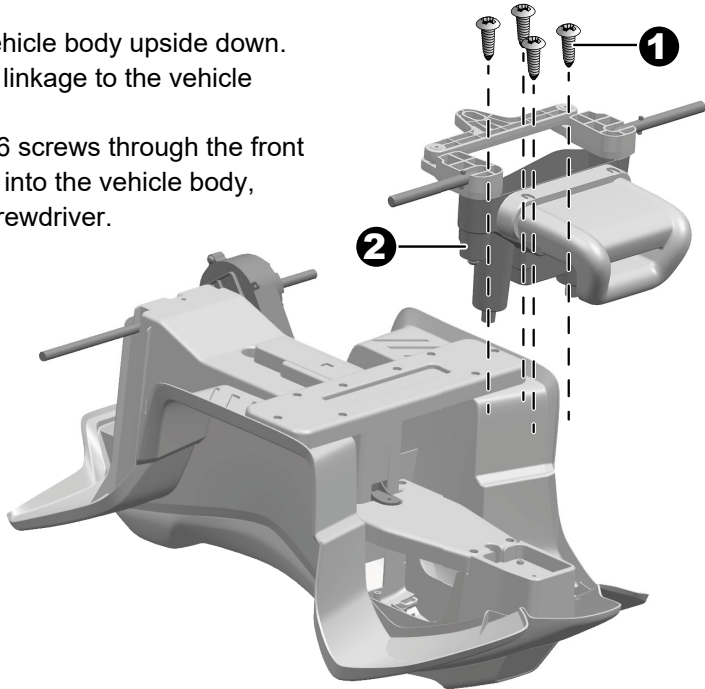
- Keep Children within Safe Riding Areas:
 - Never use in roadway, near motor vehicles, on lawn space, on or near steep inclines or steps, swimming pools or other bodies of water;
- Use the toy only on flat surfaces. Such as inside your house, garden or playground.
- Never use in the dark. A child could encounter unexpected obstacles and have an accident. Operate the vehicle only in the daytime or a well-lit area.
- It is prohibited to change the circuit or add other electric parts
- Inspect wires and connections of the vehicle periodically.
- Do not let any child touch the wheels or be near them when the car is moving .
- This vehicle has adjustable play seat belts. Please instruct children how to tie the safety belt before using, guarantee the security.

E

Fit the Front Axle Linkage

- Gently turn the vehicle body upside down.

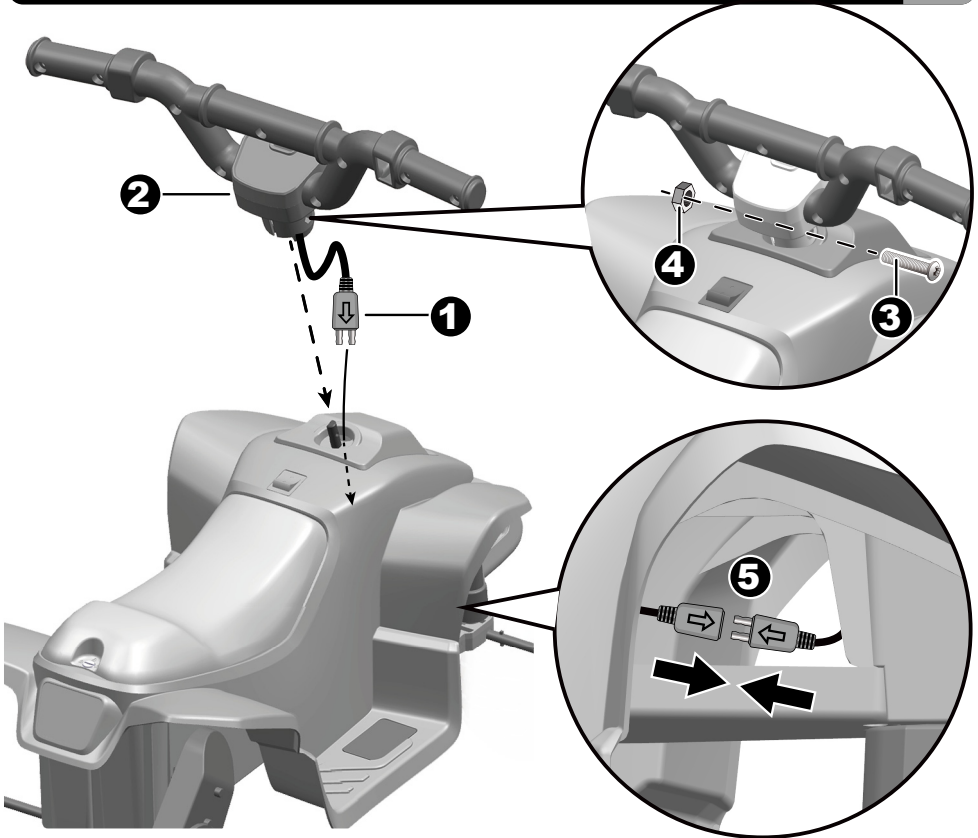
1. Fit the front axle linkage to the vehicle body.
2. Insert four Ø4x16 screws through the front axle linkage and into the vehicle body, tighten with a screwdriver.



- Turn the vehicle body on its side.
3. Insert the straight end of the steering column into the hole on the vehicle body and out through the hole on the top of the vehicle body.
 4. Insert the bent end of the steering column into the hole on the front axle linkage.

Attach the Handle Bar

E



• Turn the vehicle body over.

1. Insert the power unit connector into the hole the vehicle body.

2. Fit the handle bar onto the end of the steering column.

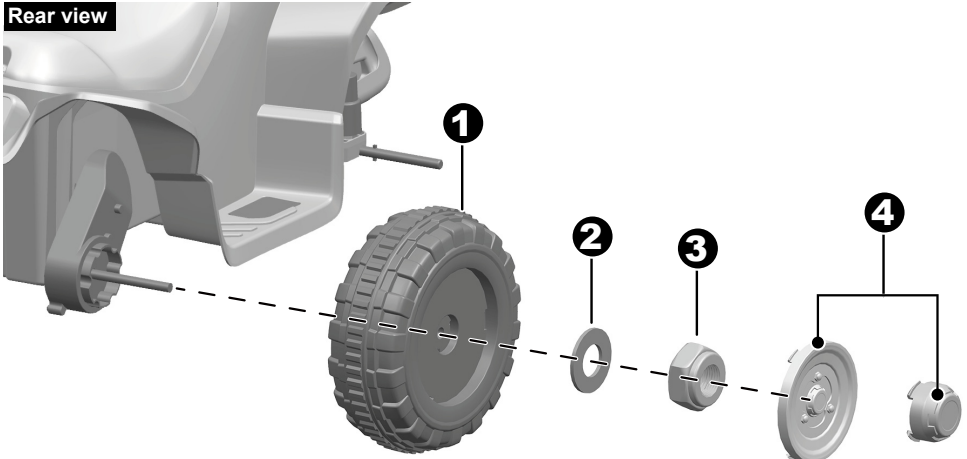
3&4. Line up the holes on the steering wheel with the holes on the steering column, insert the M5x30 machine screw. Fasten a nut on the opposite end of the screw. Using a long nose pliers to hold the nut while tightening the screw on the other side with a screwdriver.

5. Plug the power unit connector into the connector on the vehicle body.

Attach the Rear Wheels

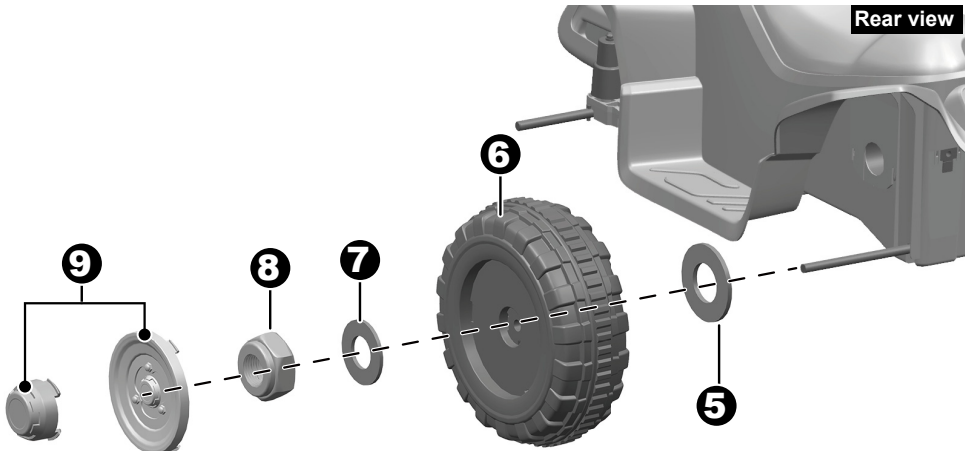
E

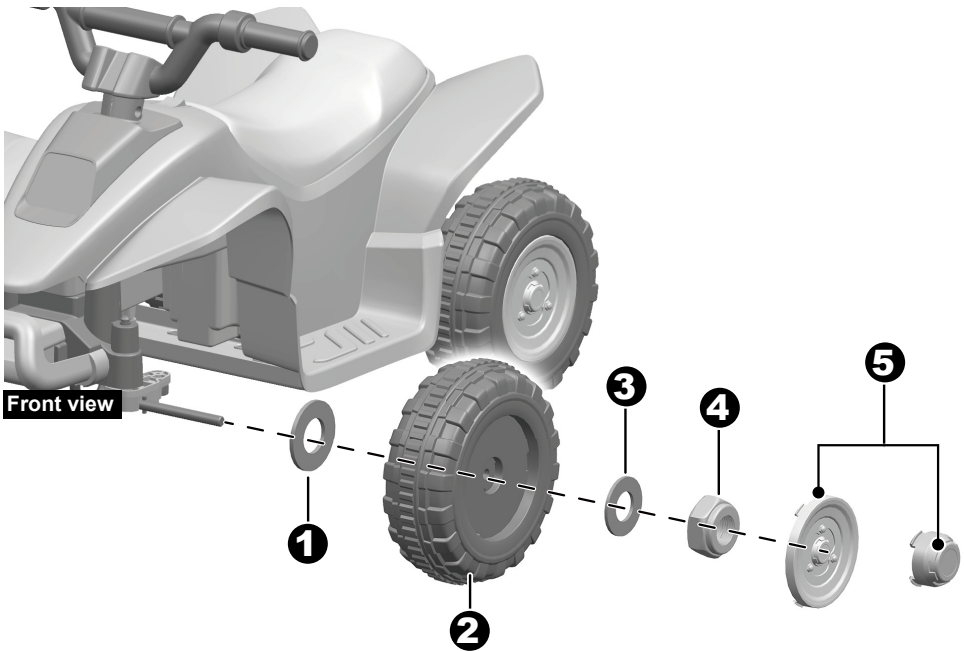
Rear view



1. Slide a wheel onto the rear axle from the right side. Ensure the wheel match up with the gear box.
2. Slide a $\Phi 8$ washer onto the rear axle.
3. Tighten a lock nut to the end of the rear axle with a spanner.
4. Insert the tabs on the wheel cover (or hubcap) into the grooves on the wheel.
5. Slide a $\Phi 10$ washer onto the rear axle from the left side.
6. Slide a wheel onto the rear axle.
7. Slide a $\Phi 8$ washer onto the rear axle.
8. Tighten a lock nut to the end of the rear axle with a spanner.
9. Insert the tabs on the wheel cover (or hubcap) into the grooves on the wheel.

Rear view



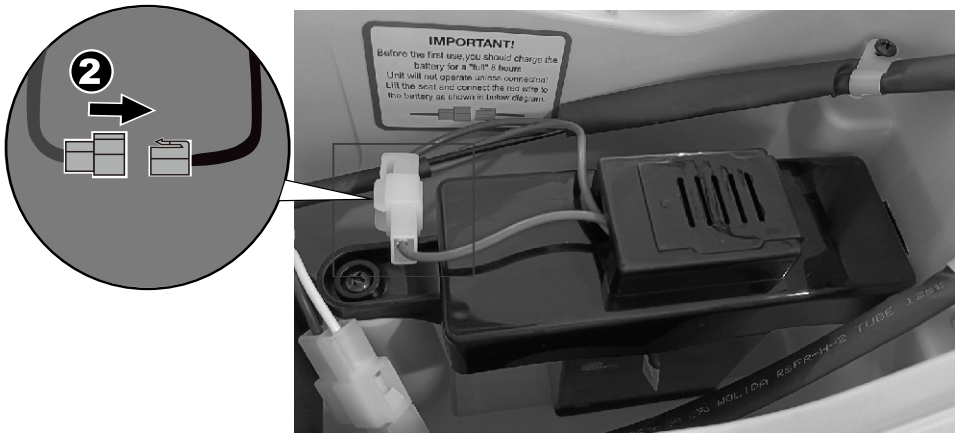
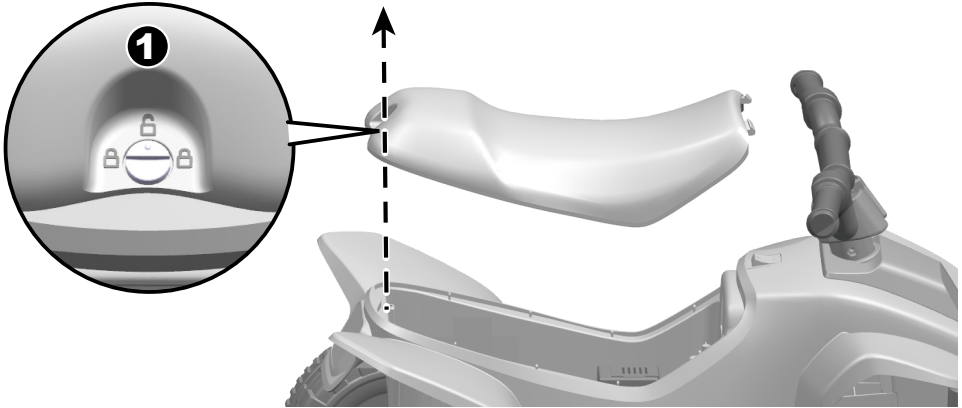


1. Slide a $\Phi 10$ washer onto the front axle from the left side.
2. Slide a wheel onto the front axle.
3. Slide a $\Phi 8$ washer onto the front axle.
4. Tighten a lock nut to the end of the front axle with a spanner.
5. Insert the tabs on the wheel cover (or hubcap) into the grooves on the wheel.

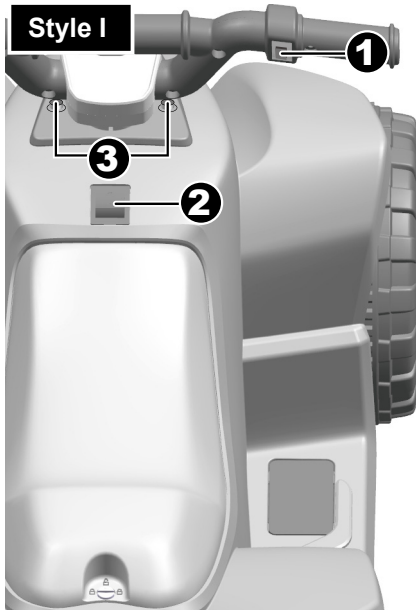
External charging type : Connect the Power Supply

E

If your product was External Charging type, follow the steps on this page.



1. Using a slotted screwdriver(not included) or coin to turn the seat lock, and remove the seat.
2. Plug the battery connector into the terminal on battery.
3. Replace the seat.

**IMPORTANT!**

Always stop vehicle when changing the speed or direction to avoid damage the gears and motor.

1. Power button:

- To move the product, press the button.
- To stop or slow down, release the button.

2. Forward/stop/reverse switch:

Changes the direction that the product moves from forward to reverse.

- To move the product forward, press the switch to top position.
- To move the vehicle reverse, press the switch to down position

3. (If equipped) Music/horn button

Press for music/horn playing.

**WARNING!**

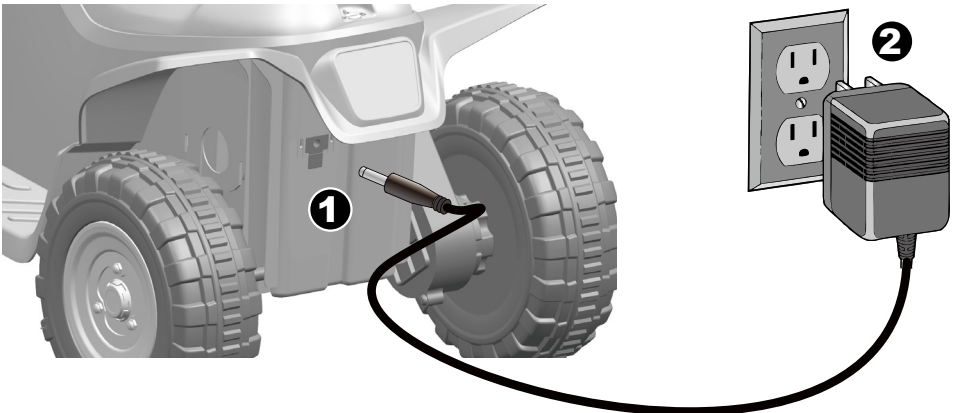
ONLY AN ADULT CAN CHARGE AND RECHARGE THE BATTERY!

**WARNING!**

This product with **Charging Protection**: when charging, all functions will be cut off! Only an adult can charge and recharge the battery!

- When the vehicle begins to run slowly, recharge the battery.
- Before the first use, you should charge the battery for 4-6 hours. Do not recharge the battery for more than 10 hours to avoid overheating the charger.
- After each use or once a month minimum recharge time as 8 to 12 hours, less than 20 hours at most.
- Use the only rechargeable battery and charger supplied with your vehicle. NEVER substitute the battery or the charger with another brand. Using another battery or charger may cause a fire or explosion.
- Do not use the battery or charger for any other product.

1. External charging type



1. Plug the charger port into the input socket. (the socket in on the back of the vehicle body)
2. Plug the charger plug into a wall outlet. The battery will begin charging.

Troubleshooting Guide

G

Problem	Possible Cause	Solution
Vehicle does not run	Battery low on power	Recharge battery.
	Thermal fuse has tripped	Reset fuse, see <Fuse>
	Battery connector or wires are loose	Check that the battery connectors are firmly plugged into each other. If wires are loose around the motor contact your distributor please.
	Battery is dead	Replace battery, contact your distributor please.
	Electrical system is damaged	Contact your distributor please.
	Motor is damaged	Contact your distributor please.
Vehicle does not run very long	Battery is under charged	Check that the battery connectors are firmly plugged into each other when recharging
	Battery is old	Replace battery, contact your distributor please.
Vehicle runs sluggishly	Battery low on power	Recharge battery, contact your distributor please.
	Battery is old	Replace battery, contact your distributor please.
	Vehicle is overload	Reduce weight on vehicle.
	Vehicle is being used in harsh conditions	Avoid using vehicle in harsh conditions ,see <Safety>.
Vehicle needs a push to go forward	Poor contact of wires or Connectors	Check that the battery connectors are firmly plugged into each other. If wires are loose around the motor, contact your distributor please.
	"Dead Spot" on motor	A dead spot means the electric power is not being delivered to the terminal connection and the vehicle needs repair. Contact your distributor please.
Difficult shifting from forward to reverse or vice-versa	Attempting to shift while the vehicle is motion	Completely stop the vehicle and shift, see <Use Your New Vehicle>
Loud grinding or clicking noises coming from motor or gear box	Motor or gears are damaged	Contact your distributor please.
Battery will not recharge	Battery connector or adapter connector is loose	Check that the battery connectors are firmly plugged into each other.
	Charger not plugged in	Check that the battery charger is plugged into a working wall outlet.
	Charger is not working	Contact your distributor please.
Charger feels warm when recharging	This is normal and not a cause for concern	

Completely read through this manual and the troubleshooting guide table before calling. If you still need help resolving the problem **Contact your distributor please.**

- It is parents' responsibility to check main parts of the toy before using, must regularly examine for potential hazard, such as the battery, charge, cable or cord, plug, screws are fastening enclosure of other parts and that in the event of such damage, the toy must not be used until that damage had been properly removed.
- Make sure the plastic parts of the vehicle are not cracked or broken.
- Occasionally use a lightweight oil to lubricate moving parts such as wheels.
- Park the vehicle indoors or cover it with a tarp to protect it from wet weather.
- Keep the vehicle away from sources of heat, such as stoves and heaters. Plastic parts may melt.
- Recharge the battery after each use. Only an adult can handle the battery. Recharge the battery at least once a month when the vehicle Raider is not being used.
- Do not wash the vehicle with a hose. Do not wash the vehicle with soap and water. Do not drive the vehicle in rainy or snowy weather. Water will damage the motor, electric system and battery.
- Clean the vehicle with a soft, dry cloth. To restore shine to plastic parts, use a non-wax furniture polish. Do not use car wax. Do not use abrasive cleaners.
- Do not drive the vehicle in loose dirt, sand or fine gravel which could damage the moving parts, motors or the electric system.
- When not using, all the electrical source should be turn off. Turn off the power switch and disconnect the battery connection.

Disposal Of Battery



- Your sealed lead-acid battery must be recycled or disposed of in an environmentally sound manner.
- Do not dispose of your lead-acid battery in a fire. The battery may explode or leak.
- Do not dispose of a lead-acid battery in your regular, household trash. The incineration, land filling or mixing of sealed lead-acid batteries with household trash is prohibited by law.

Our products are suitable for ASTM F963; GB6675; EN71 and EN62115 standard.

UK

If you have any questions, please contact our customer care center.

Our contact details are below:



0044-800-240-4004



enquiries@mhstar.co.uk

IMPORTER ADDRESS:

MH STAR UK LTD

Unit 27, Perivale Park,

Horsenden lane South

Perivale, UB6 7RH

MADE IN CHINA

