
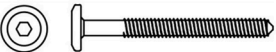

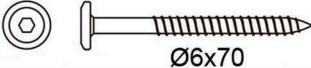
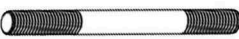



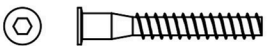



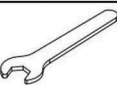
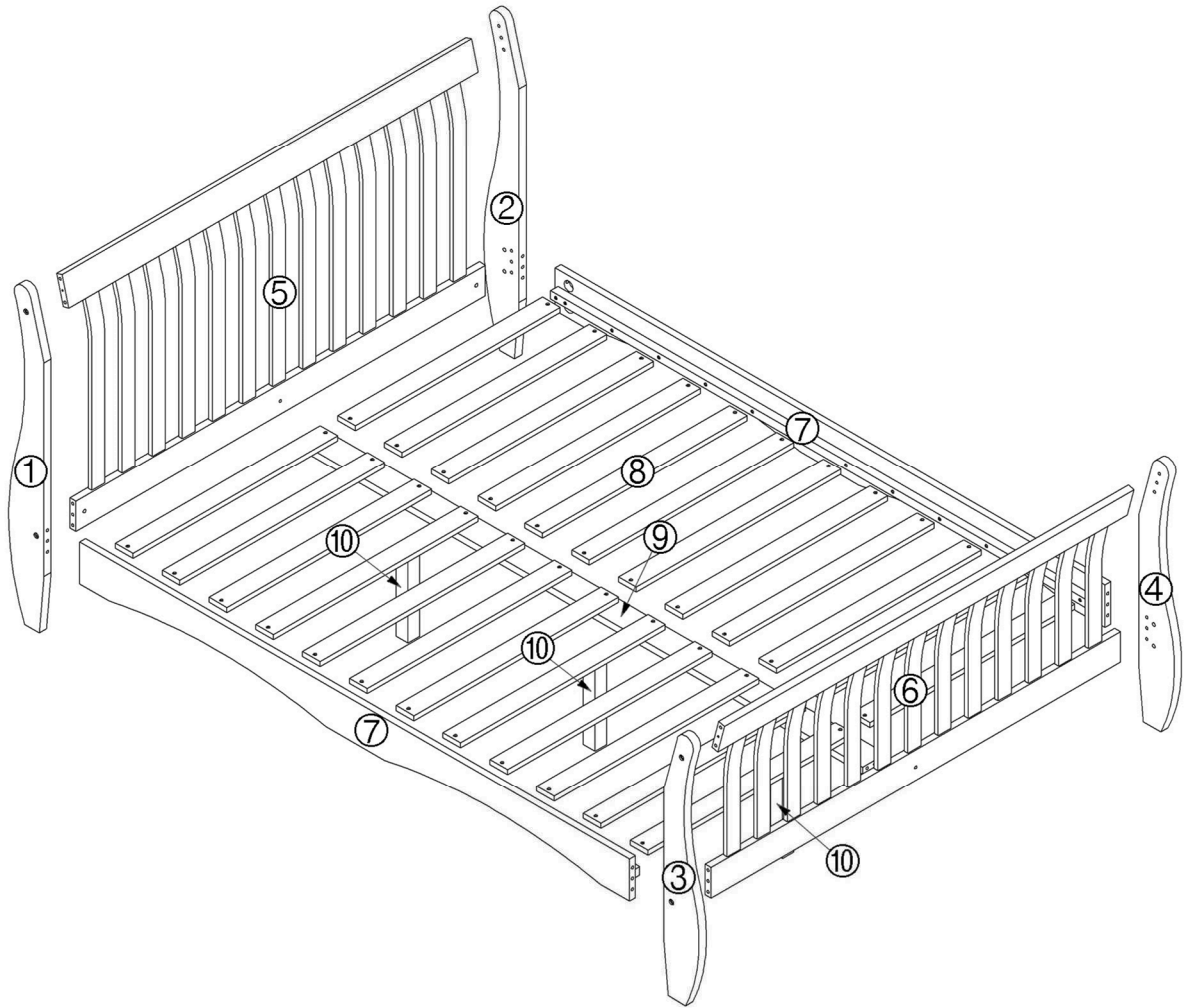




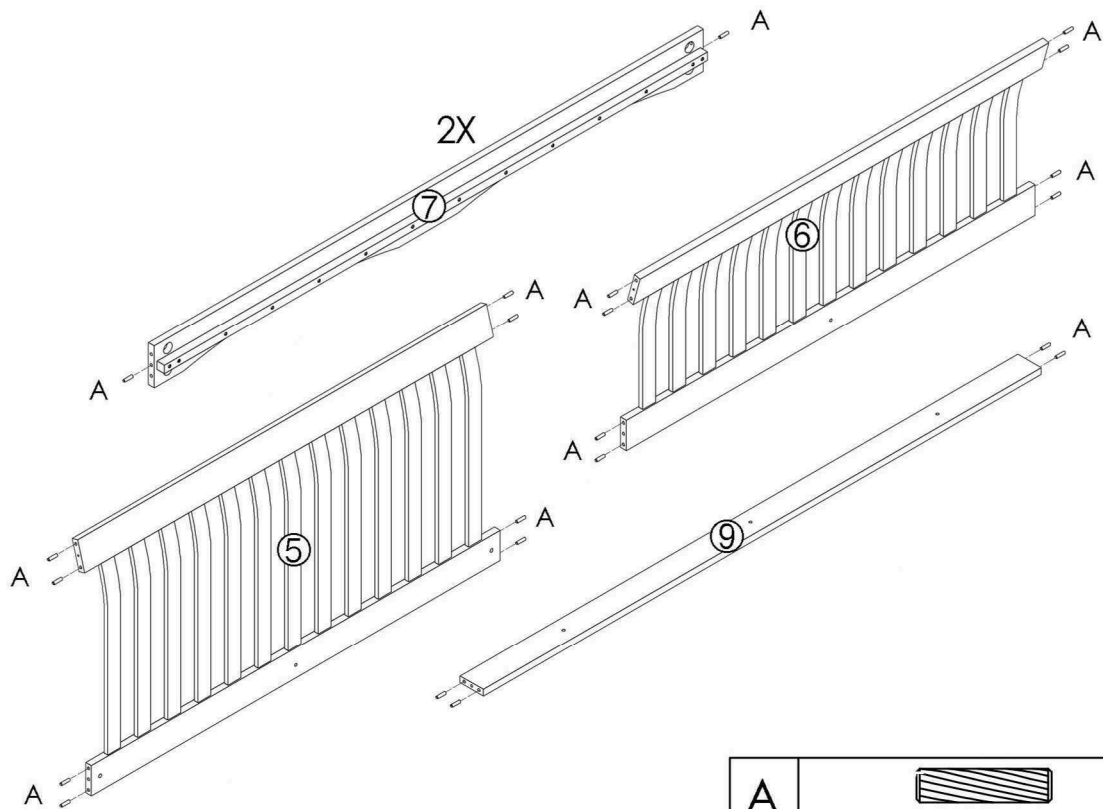
HARDWARE

A	 Ø8x30	24
B	 M6x60	4
C		12
D	 Ø6x70	4
E	 M6x110	8
F		8
G	 M6	8

H		8
J	 Ø7x60	5
K	 Ø4x30	48
L	 Ø15x2	8
M		1
N		1

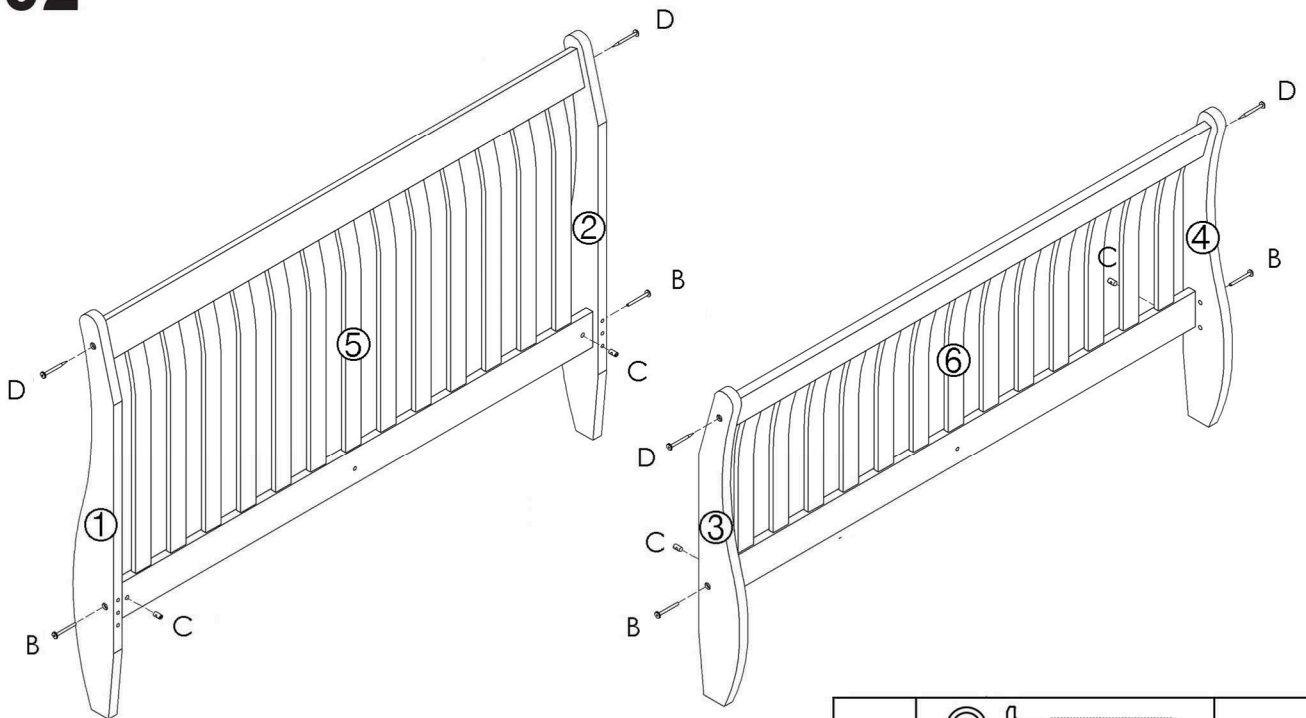





01



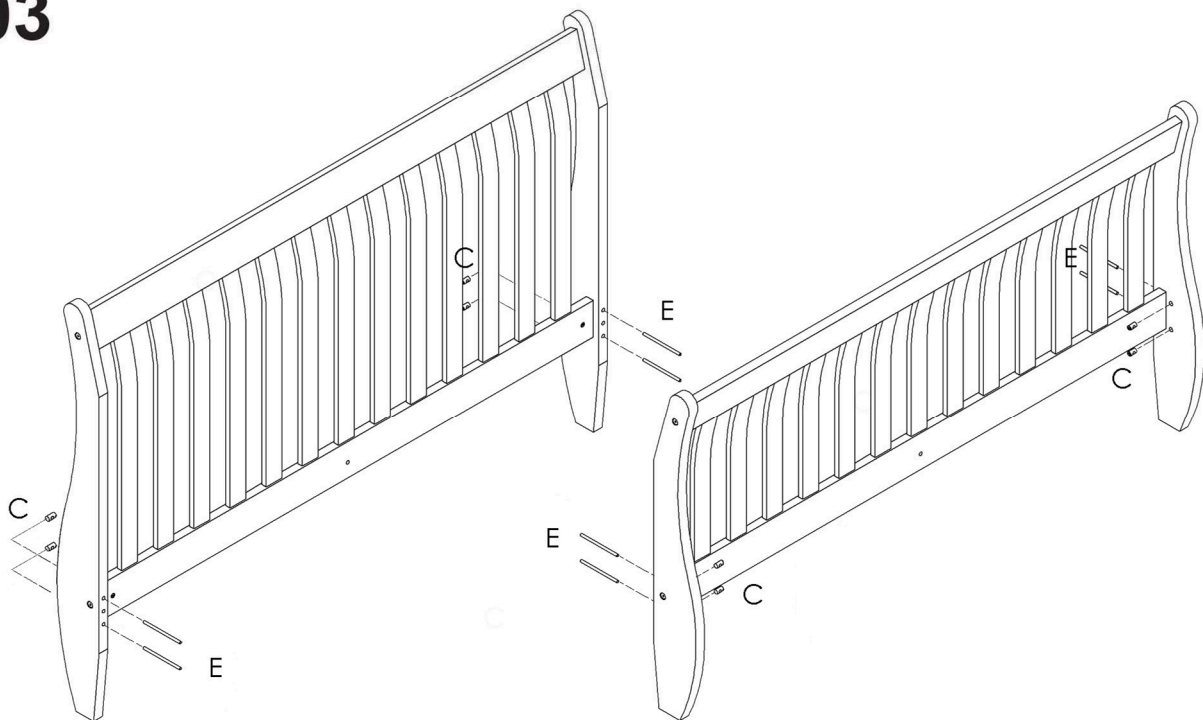
A	 Ø8x30	24
---	--	----


02



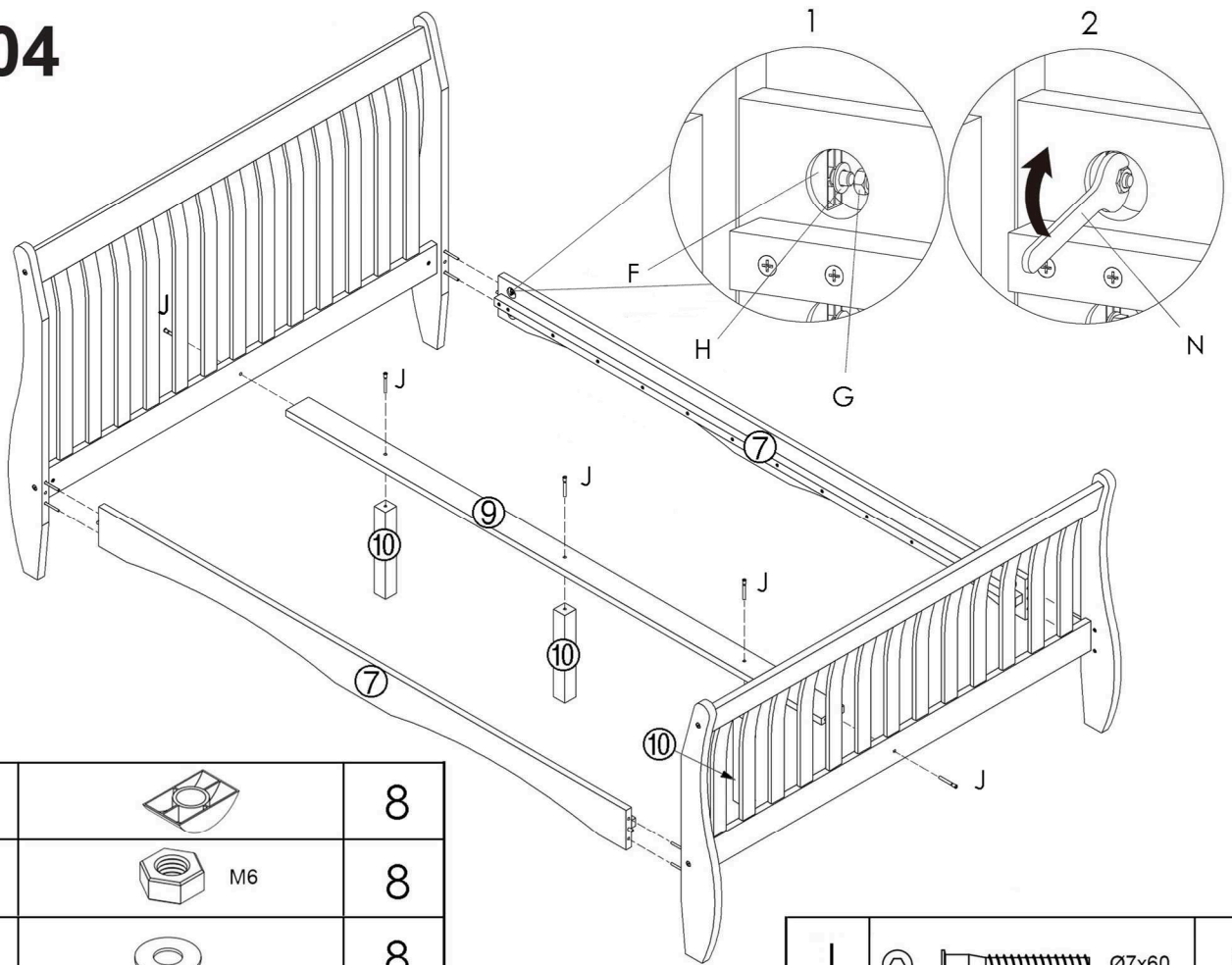
B	 M6x60	4
C		4
D	 Ø6x70	4




03




E	 M6x110	8
C		8

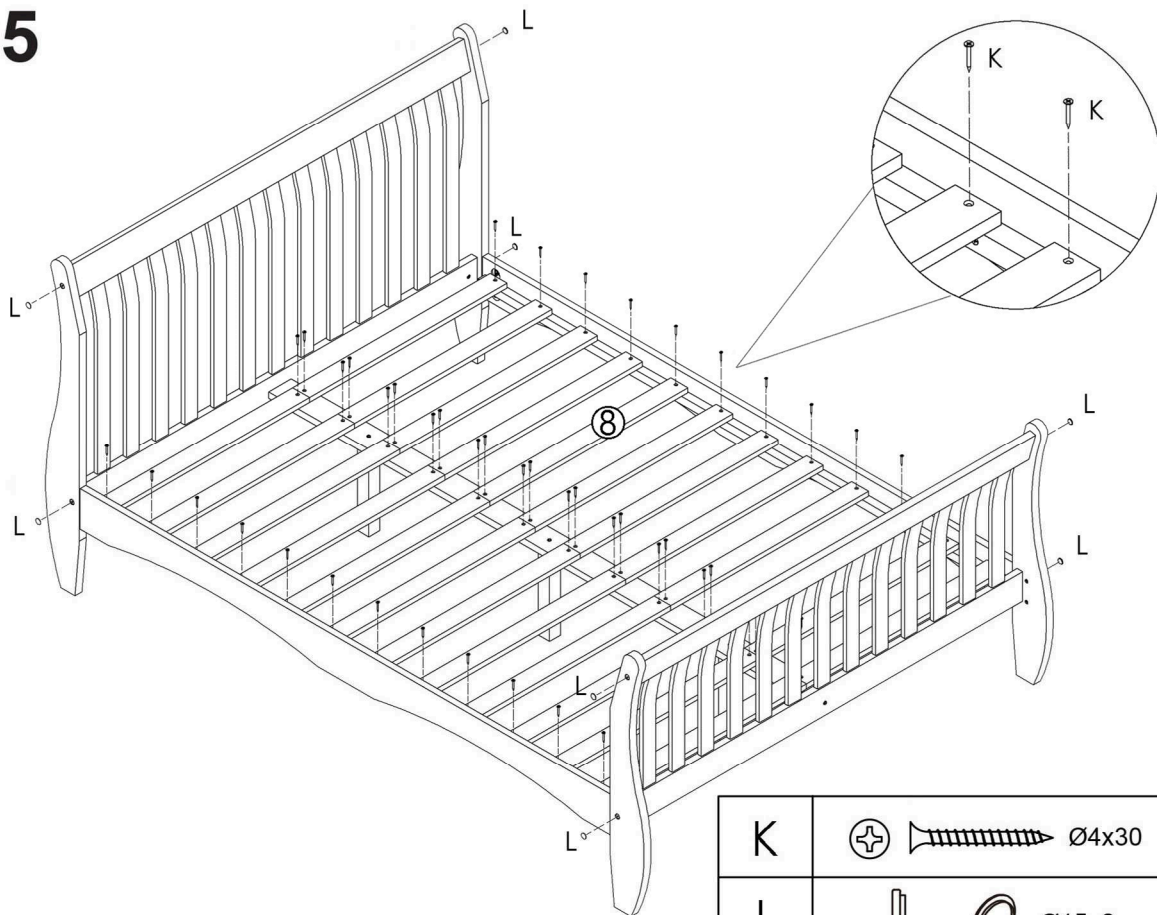
04





F		8
G	 M6	8
H		8

J	 Ø7x60	5
---	---	---

05



K	 Ø4x30	48
L	 Ø15x2	8