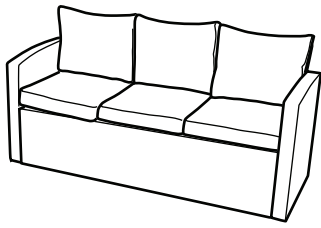
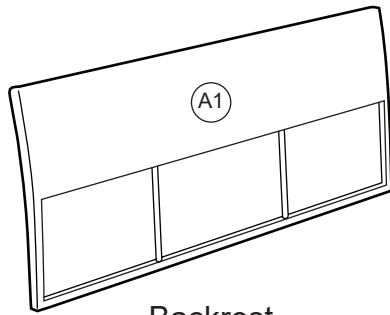


4 Piece Patio Sofa Sets

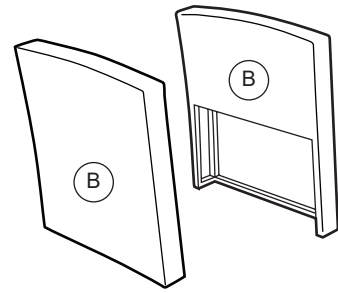
PACKAGE CONTENT



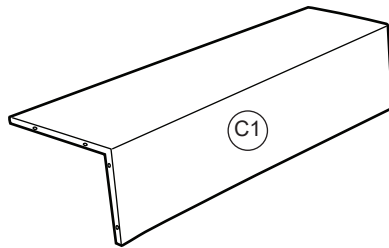
BOX A



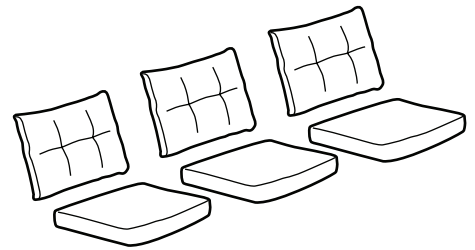
Backrest



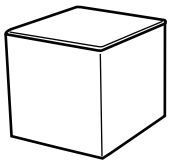
Leg Set



Seat



Cushion



BOX A

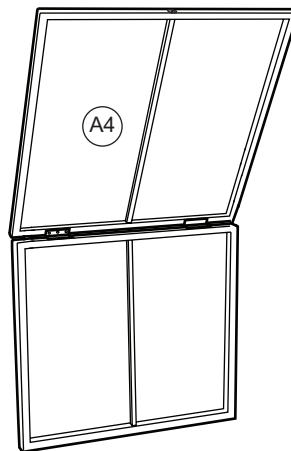


Table Top

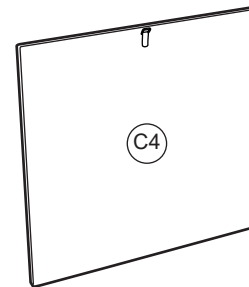


Table Front

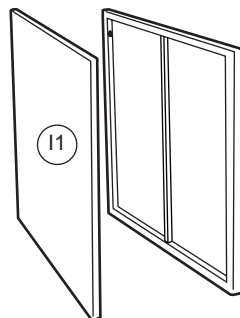


Table Side

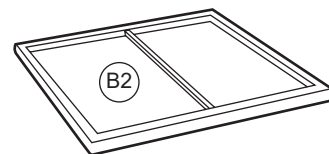
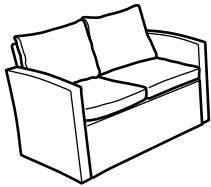
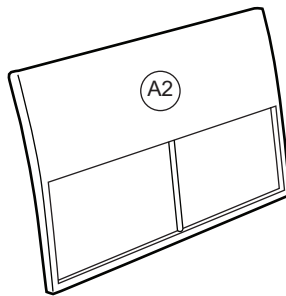


Table Base

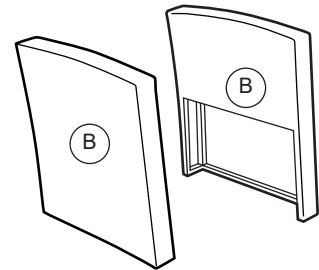
PACKAGE CONTENT



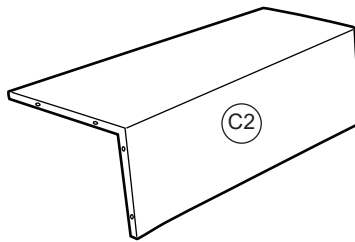
BOX B



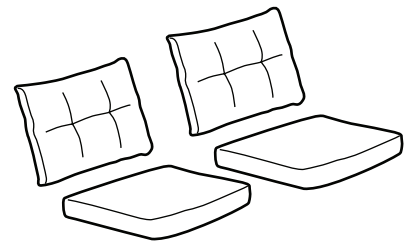
Backrest



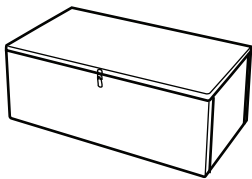
Leg Set



Seat



Cushion



BOX B

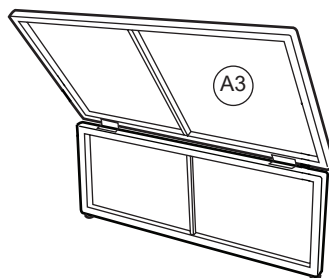


Table Top

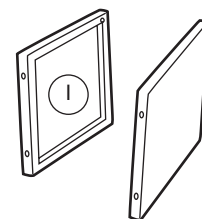


Table Side

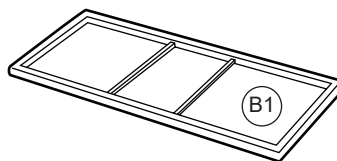


Table Base

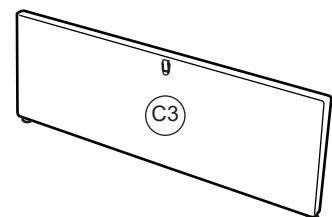
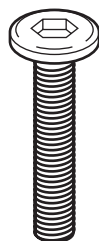
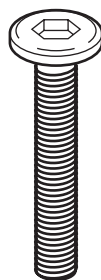


Table Front



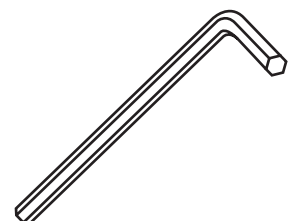
M6x35 Bolt
16X



M6x40 Bolt
47X

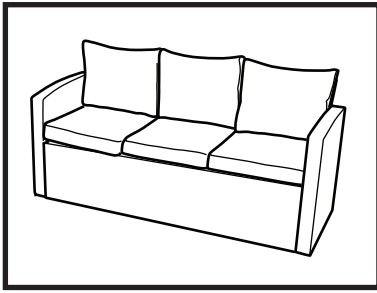


Washer
63X

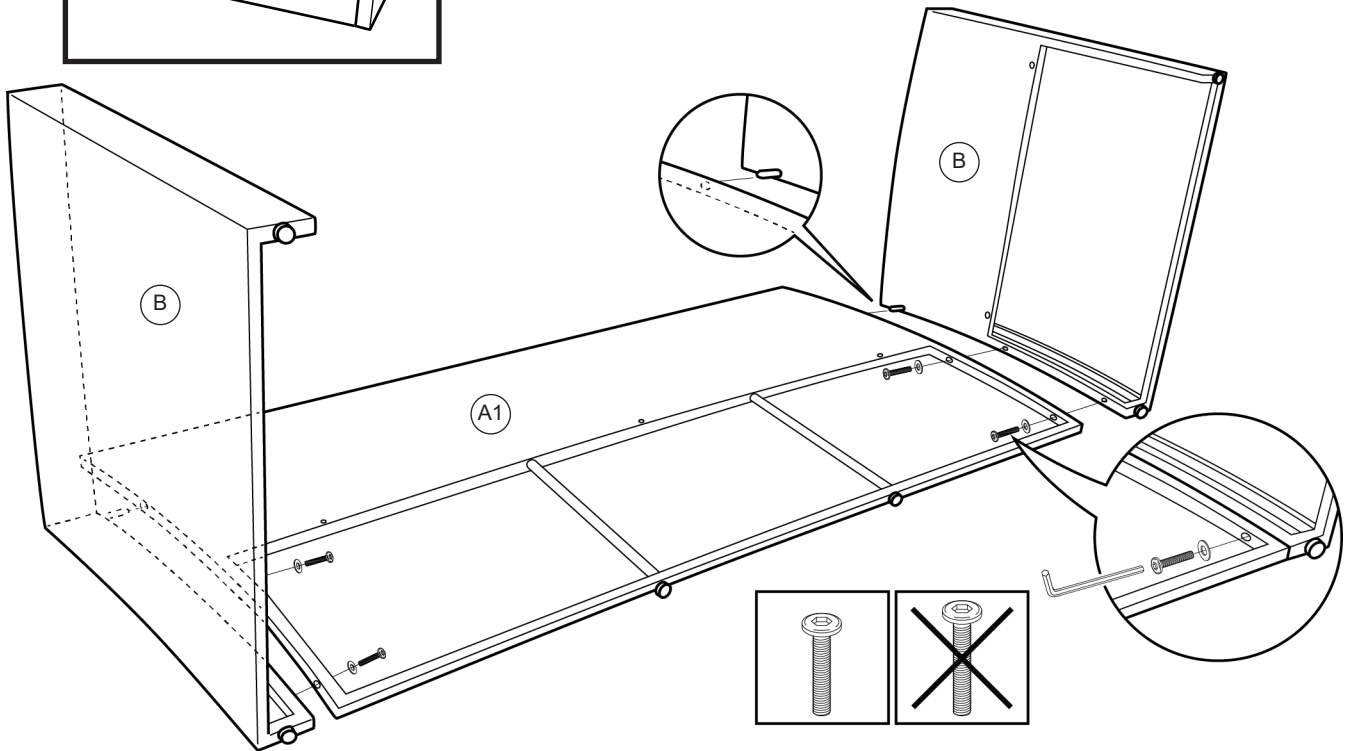


Allen Key

1

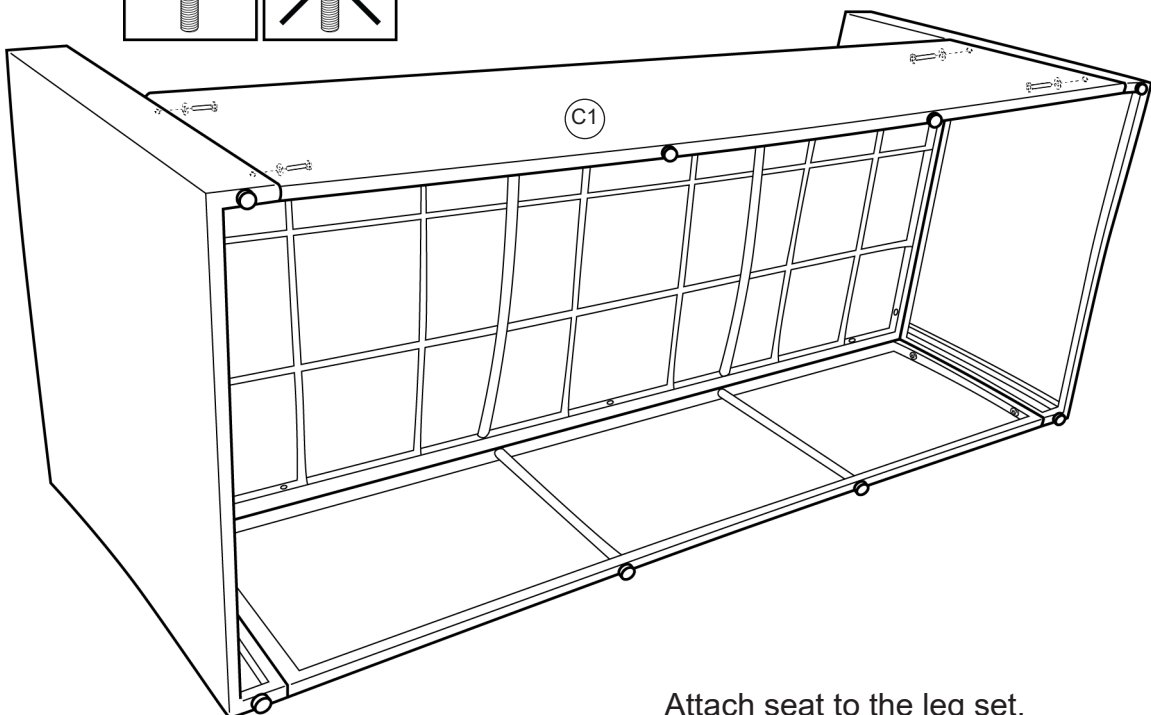
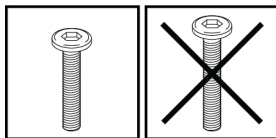


Do not fully tighten the bolts until all parts are assembled.



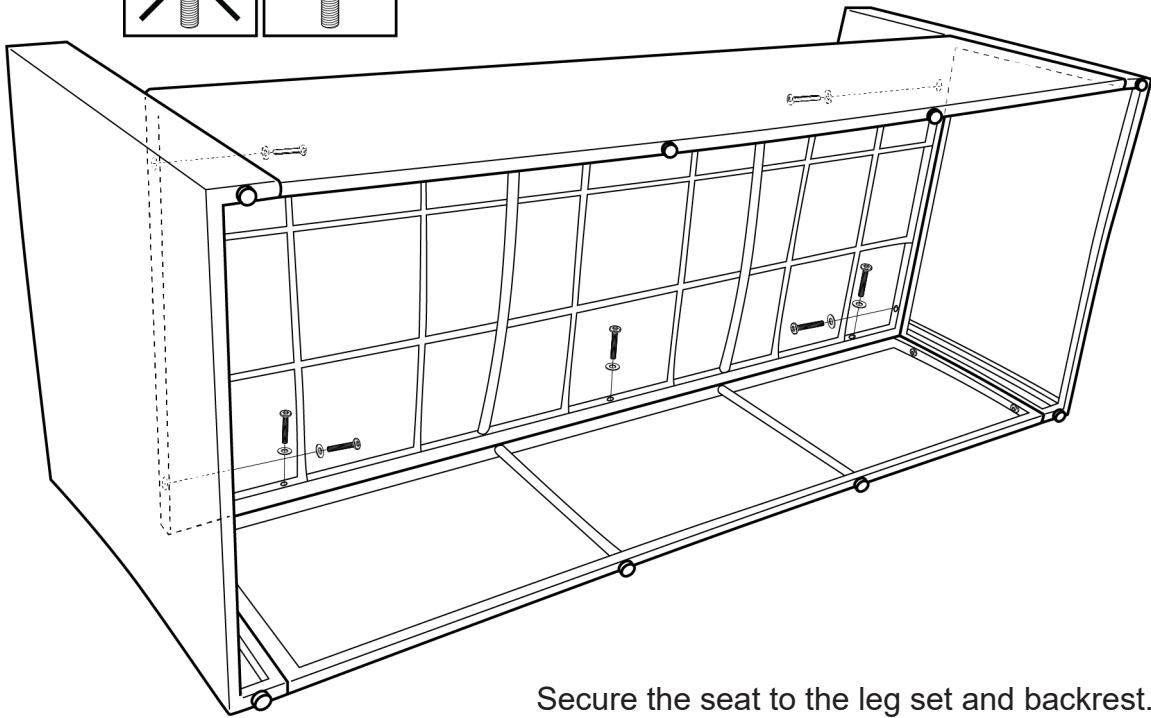
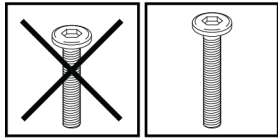
Attach the leg set to the backrest.

2



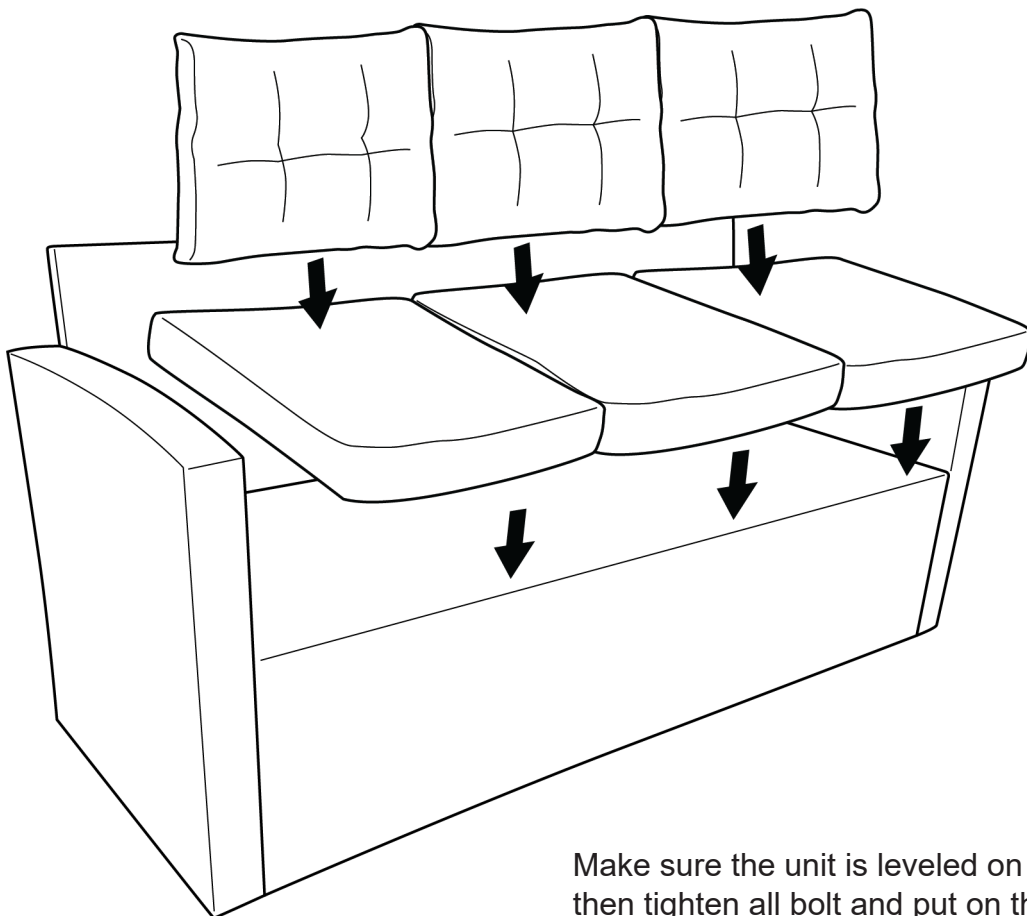
Attach seat to the leg set.

3



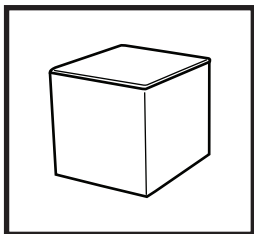
Secure the seat to the leg set and backrest.

4

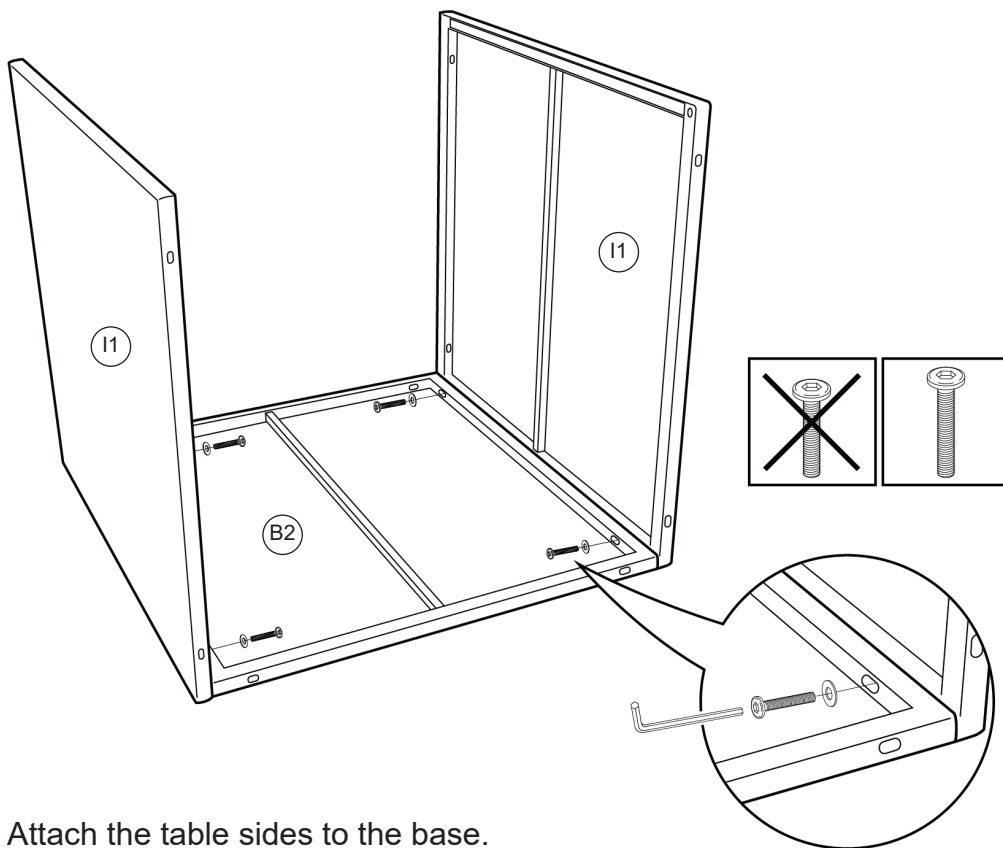


Make sure the unit is leveled on the ground, then tighten all bolt and put on the cushion.

5

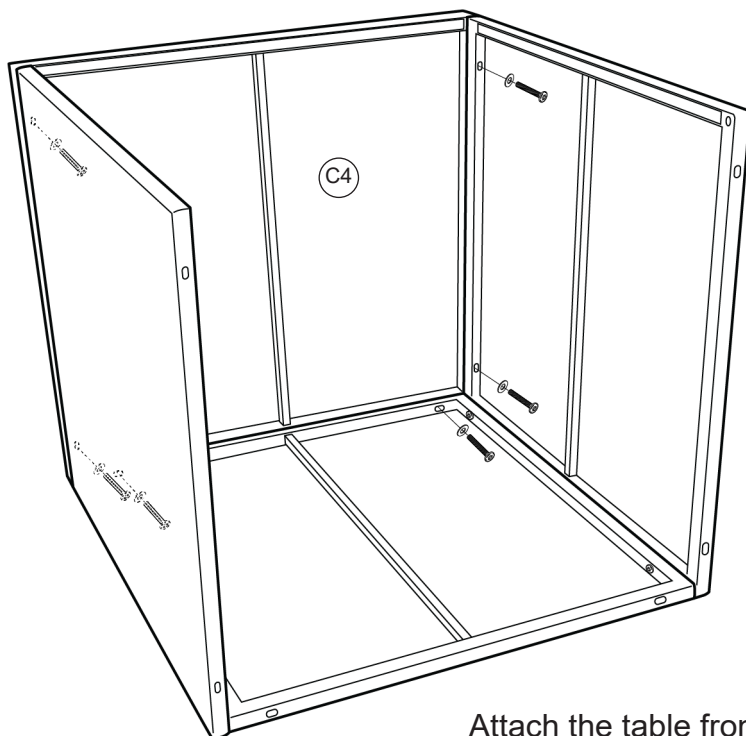


Do not fully tighten the bolts until all parts are assembled.



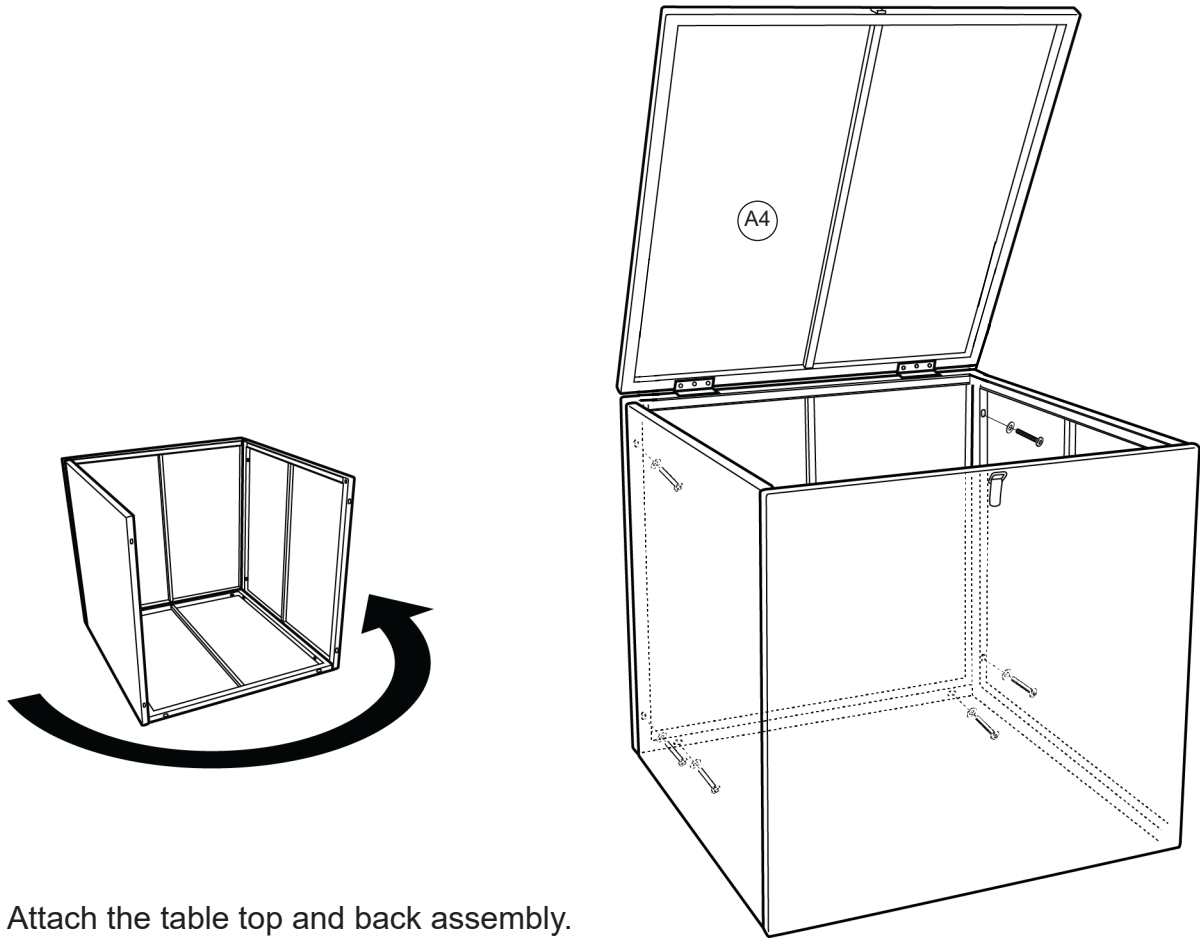
Attach the table sides to the base.

6



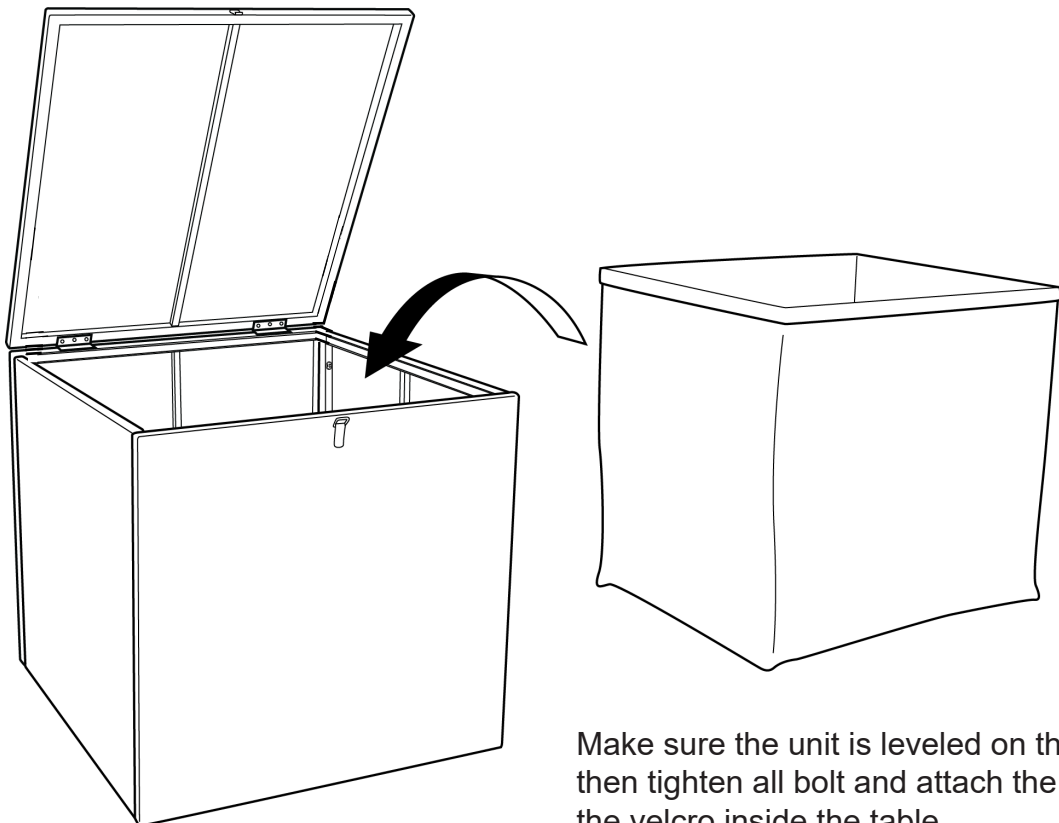
Attach the table front to the assembly.

7



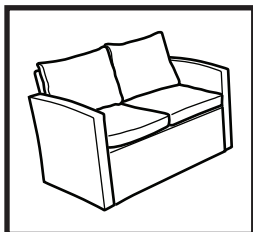
Attach the table top and back assembly.

8

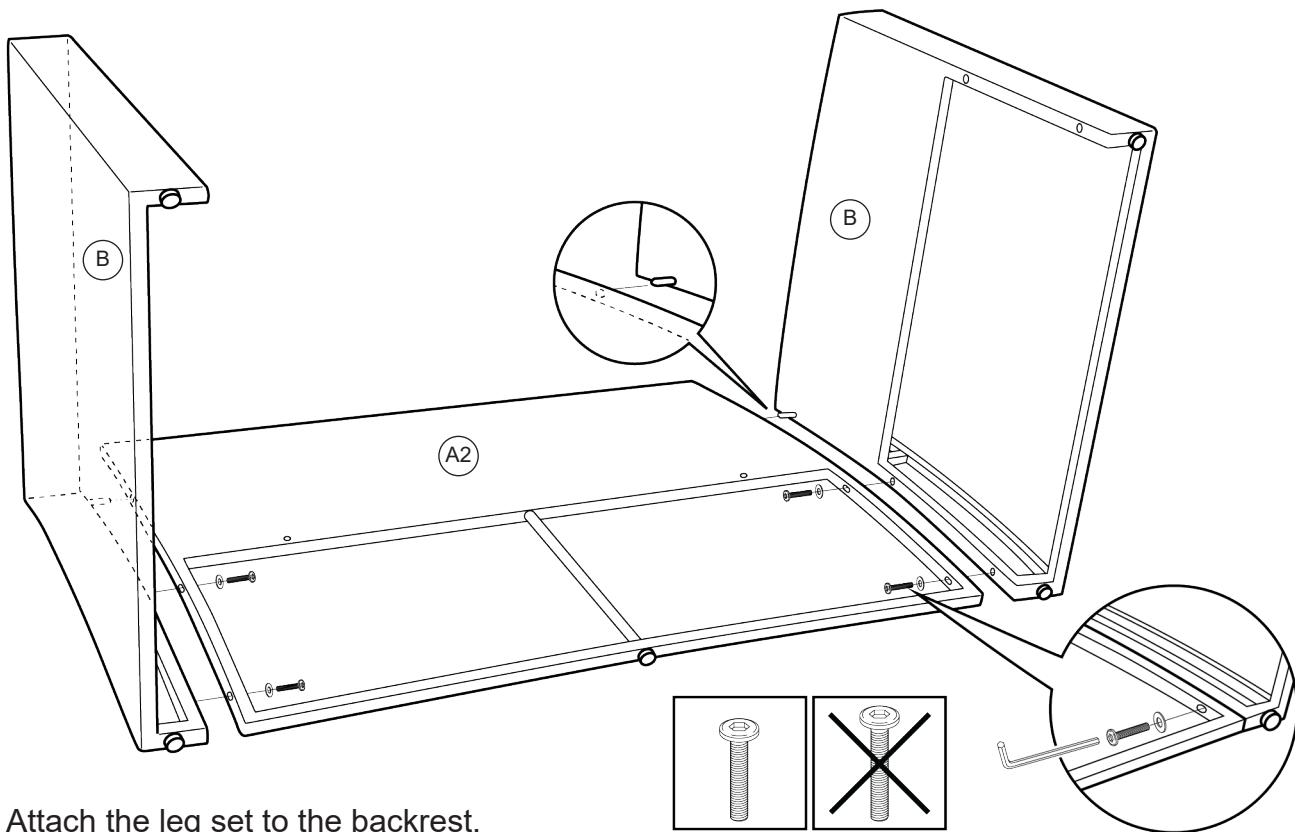


Make sure the unit is leveled on the ground, then tighten all bolt and attach the lining to the velcro inside the table.

9

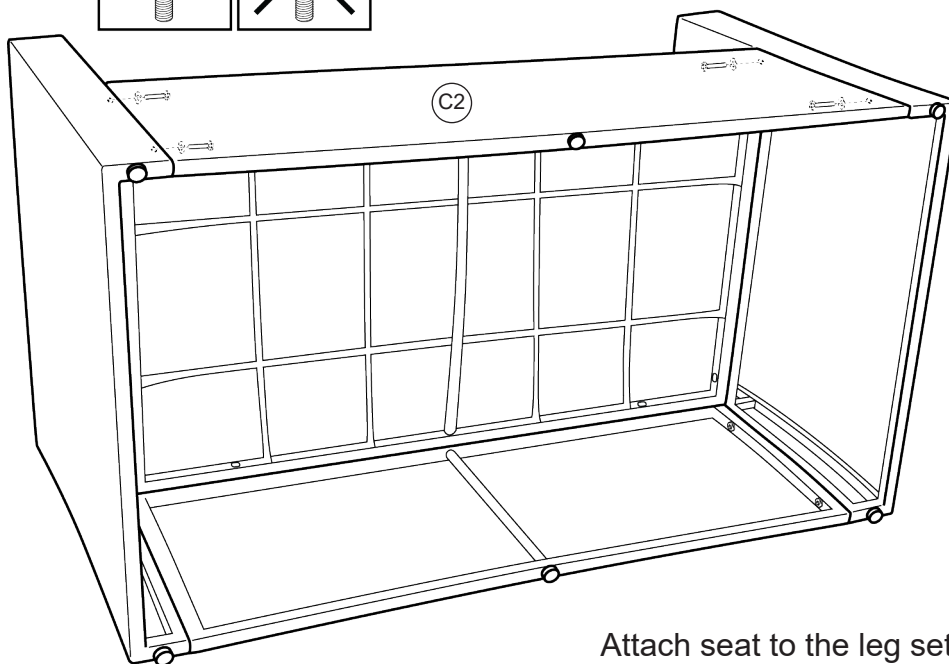
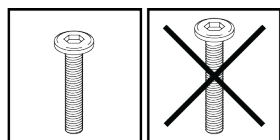


Do not fully tighten the bolts until all parts are assembled.



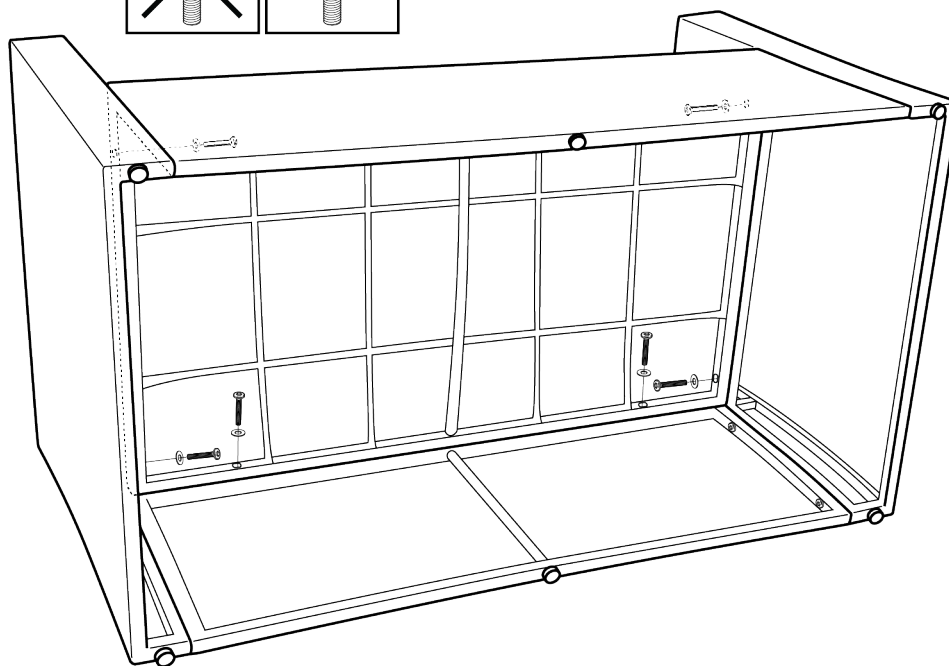
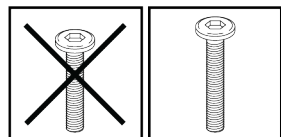
Attach the leg set to the backrest.

10



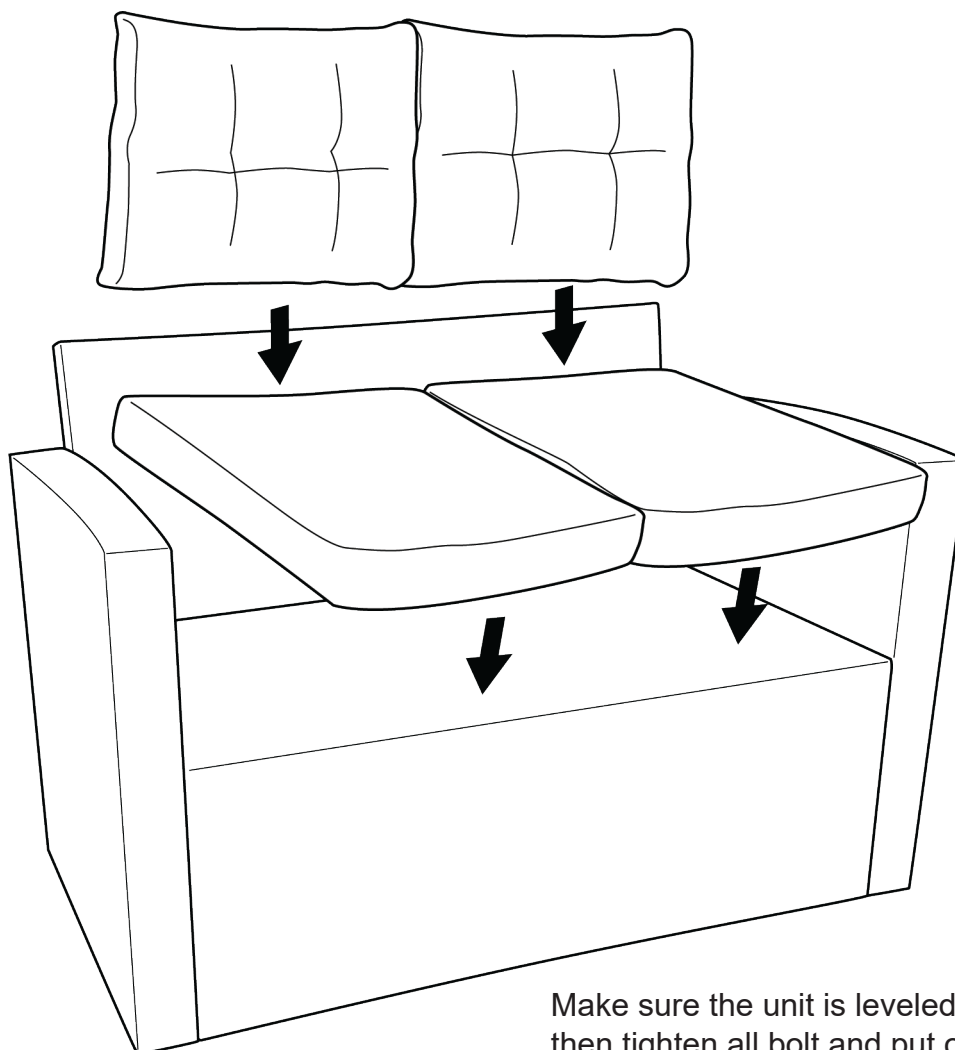
Attach seat to the leg set.

11



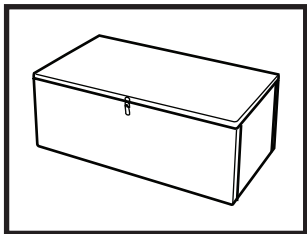
Secure the seat to the leg set and backrest.

12

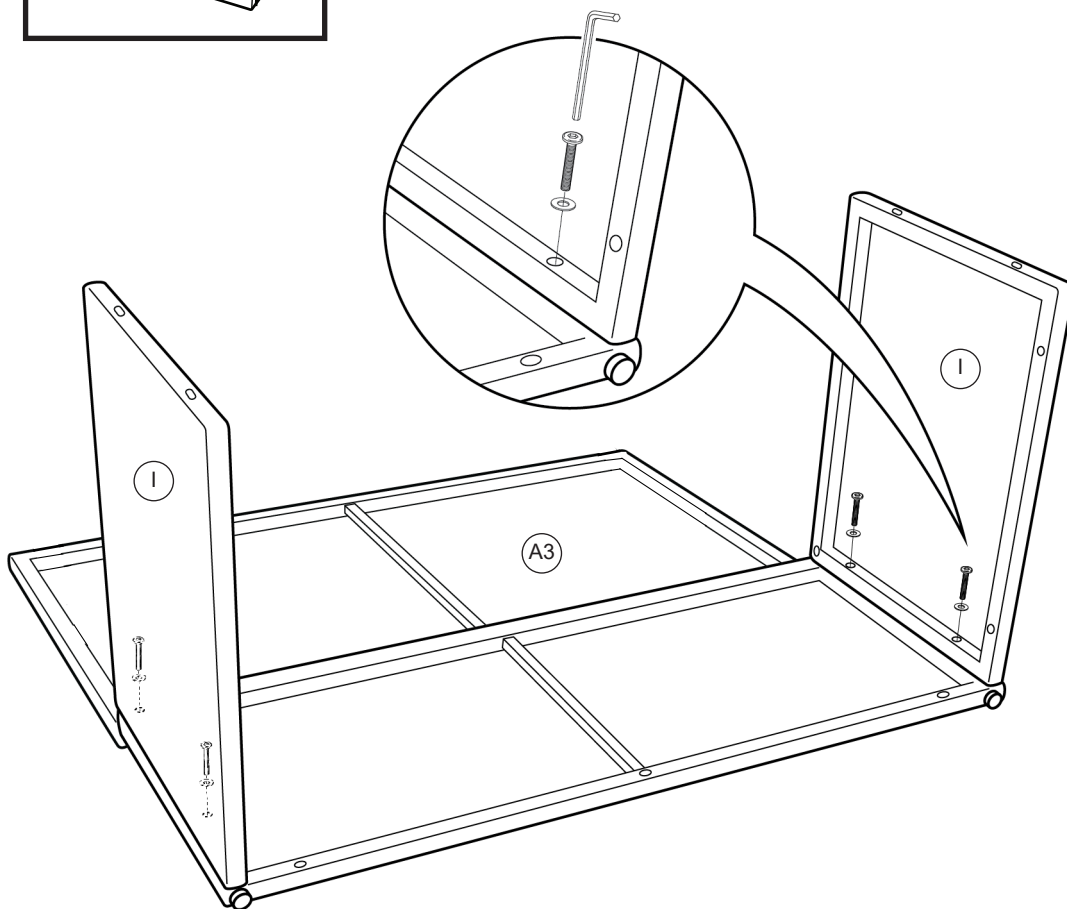


Make sure the unit is leveled on the ground, then tighten all bolt and put on the cushion.

13

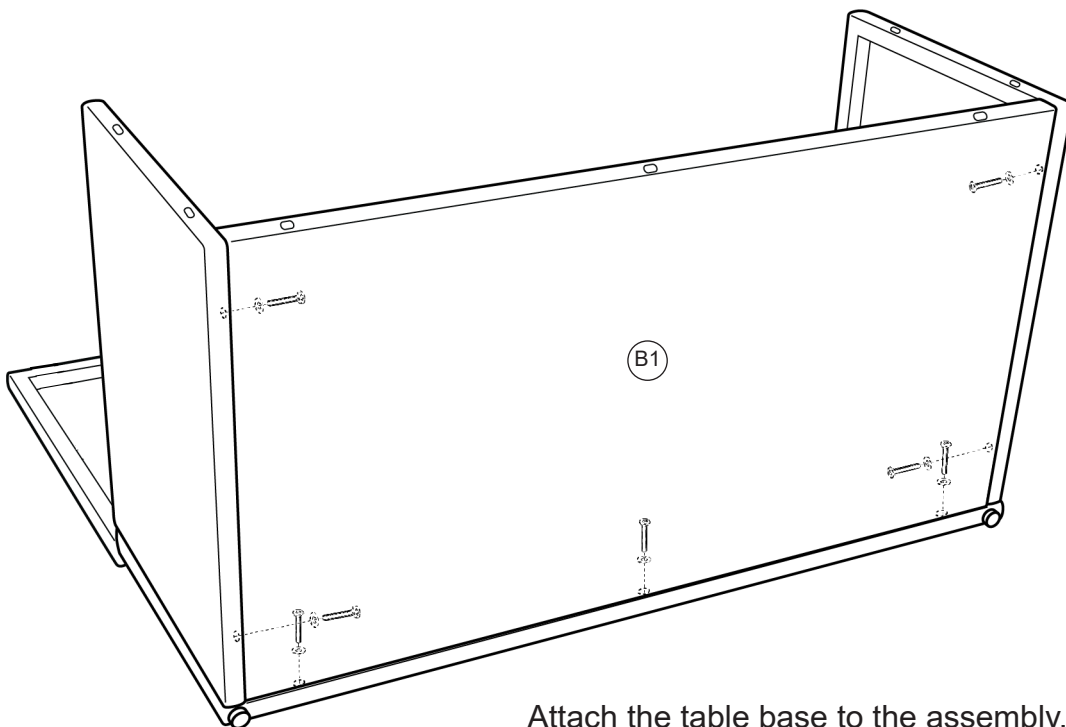


Do not fully tighten the bolts until all parts are assembled.



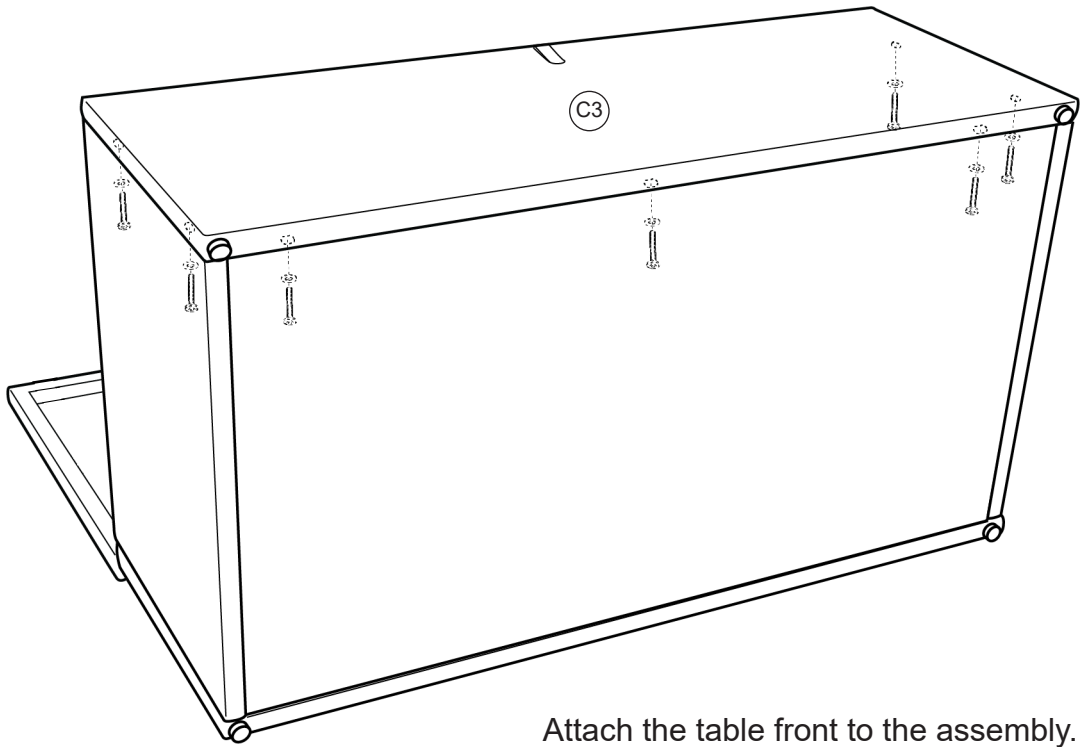
Attach the table sides to the table top assembly.

14



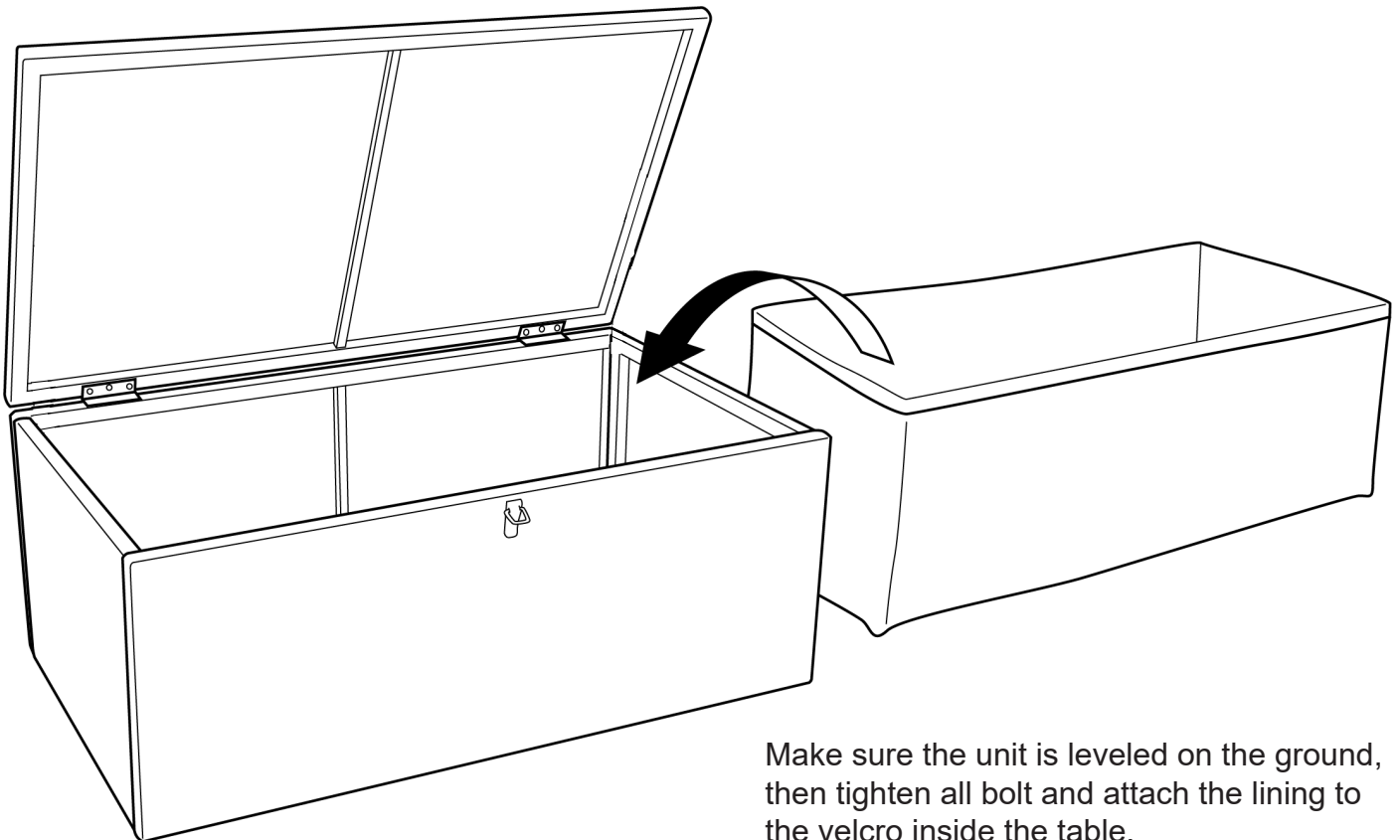
Attach the table base to the assembly.

15



Attach the table front to the assembly.

16



Make sure the unit is leveled on the ground, then tighten all bolt and attach the lining to the velcro inside the table.

FINISH!