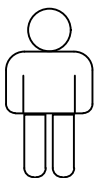
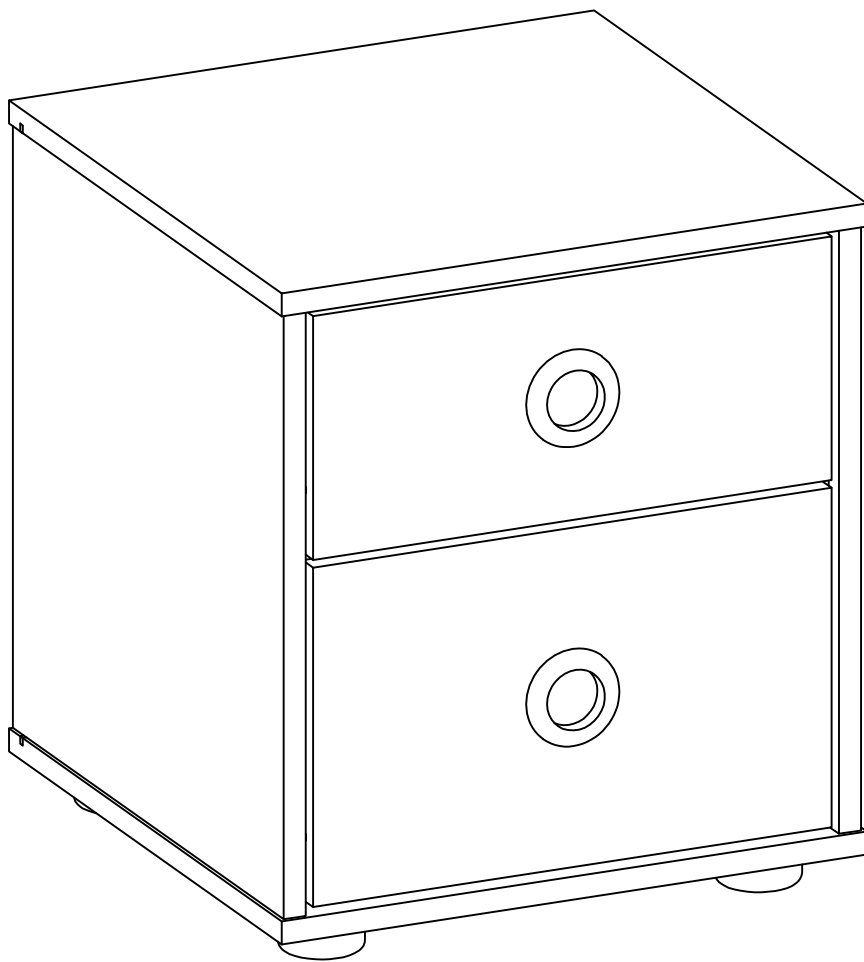
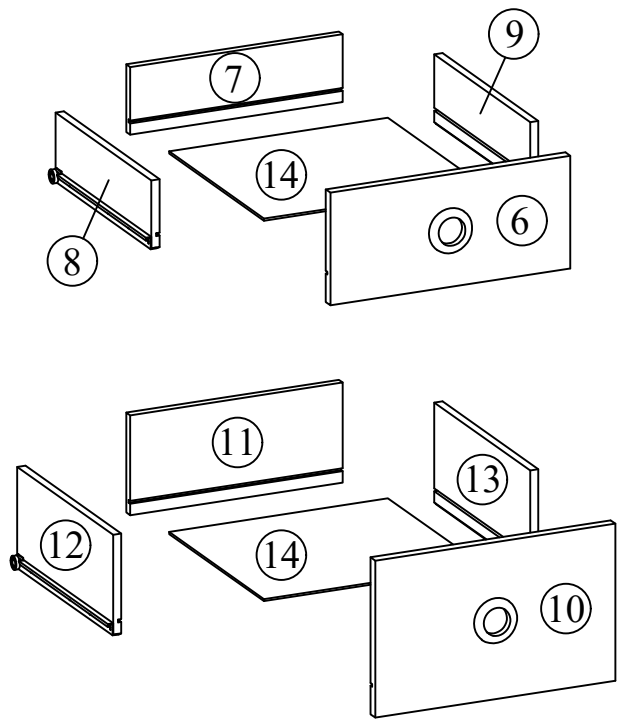
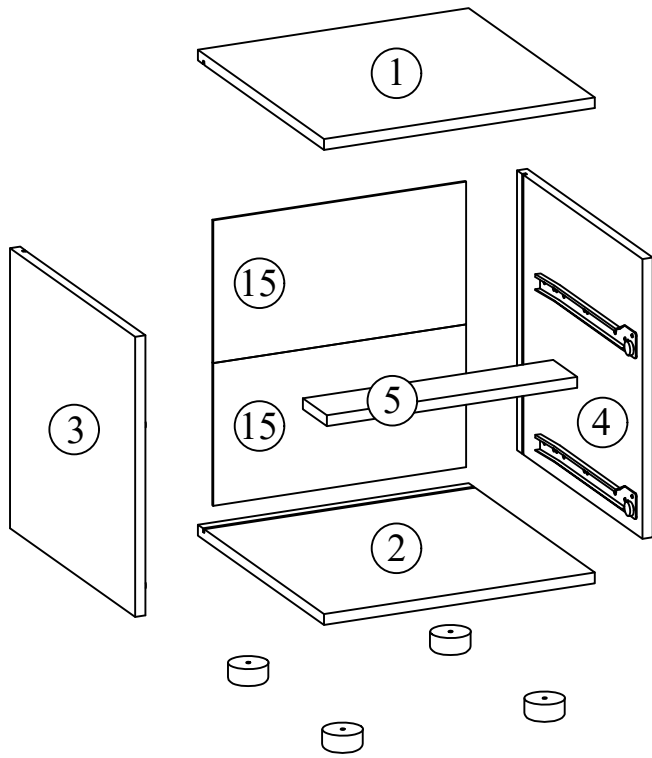


# ASSEMBLY INSTRUCTIONS



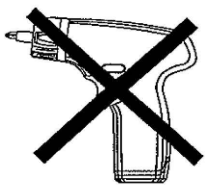
One People Required



## PARTS LIST






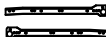






Carton 1 of 1:

| Part | Description             | Qty |
|------|-------------------------|-----|
| 1    | Top Panel               | 1   |
| 2    | Bottom Panel            | 1   |
| 3    | Left Panel              | 1   |
| 4    | Right Panel             | 1   |
| 5    | Support Panel           | 1   |
| 6    | Up Drawer Front Panel   | 1   |
| 7    | Up Drawer Back Panel    | 1   |
| 8    | Up Drawer Left Panel    | 1   |
| 9    | Up Drawer Right Panel   | 1   |
| 10   | Down Drawer Front Panel | 1   |
| 11   | Down Drawer Back Panel  | 1   |
| 12   | Down Drawer Left Panel  | 1   |
| 13   | Down Drawer Right Panel | 1   |
| 14   | Drawer Bottom Panel     | 2   |
| 15   | Back Panel              | 2   |



**\*\* WARNING: THE USE OF POWER TOOLS TO ASSEMBLE THIS PRODUCT WILL INVALIDATE ANY CLAIM AND MAY DAMAGE THIS PRODUCT MAKING IT UNSAFE.**

## HARDWARE LIST: Carton 1 of 1

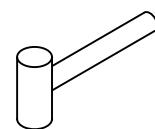
| Part | Description  | Qty |
|------|--|-----|
| A    | WOOD DOWEL M6 x 25mm    | 14  |
| B    | CAM NUT 12mm            | 6   |
| C    | CAM NUT 15mm            | 6   |
| D    | CAM BOLT                | 12  |
| E    | CSK SCREW M3.5 x 12mm   | 24  |
| F    | METAL RUNNER TRUCK 12"  | 2   |
| G    | METAL RUNNER 12"        | 2   |
| H    | PVC LEG AC-55           | 4   |
| I    | CSK SCREW M4 x 30mm     | 4   |
| J    | CSK SCREW M4 x 45mm     | 4   |
| K    | CSK SCREW M4 x 38mm     | 8   |
| L    | WOODEN HANDLE 9928      | 2   |

**\*\* You will need a screwdriver and a small mallet (NOT provided)**

Tools You Need:

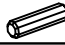




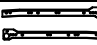




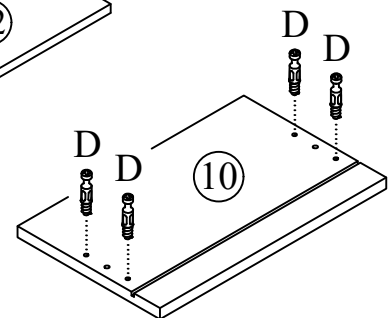
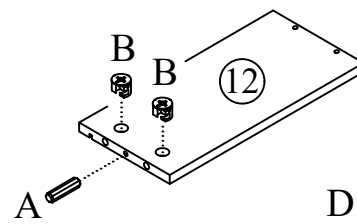
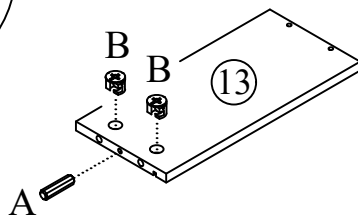
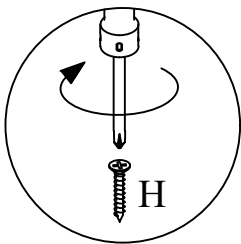
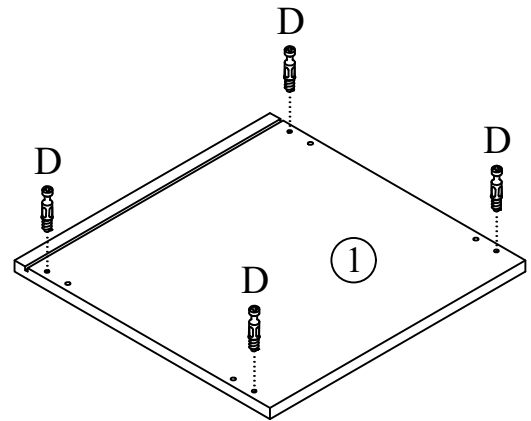
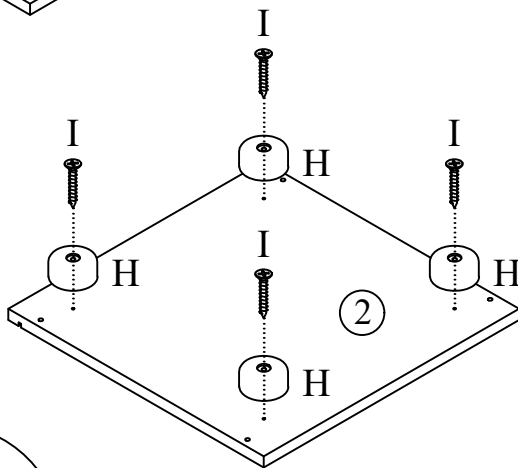
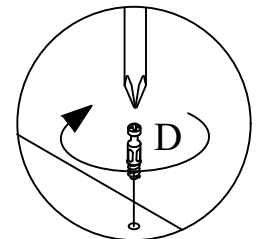
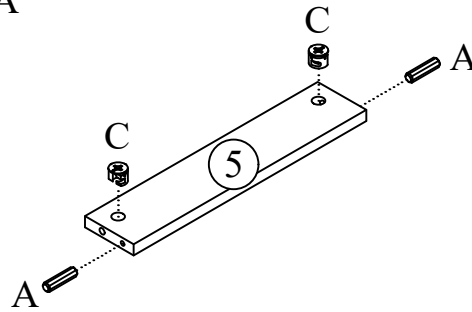
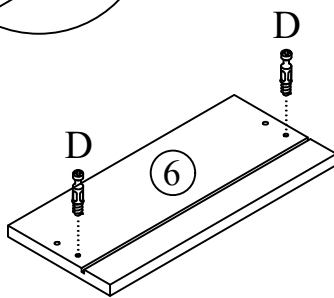
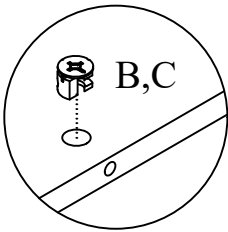
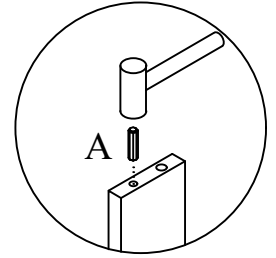
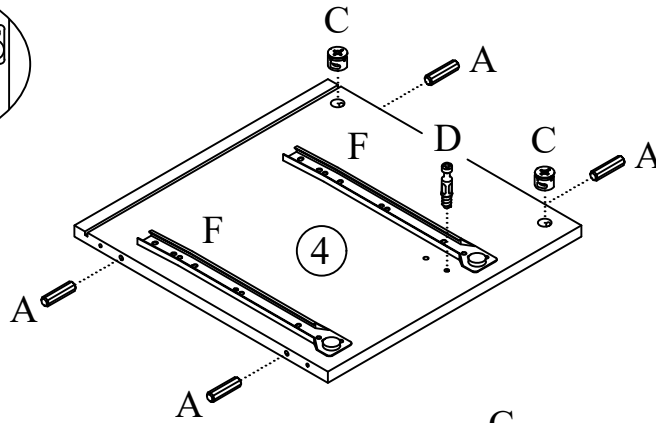
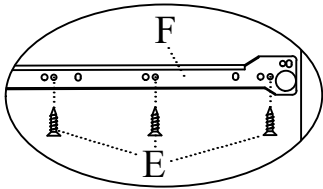
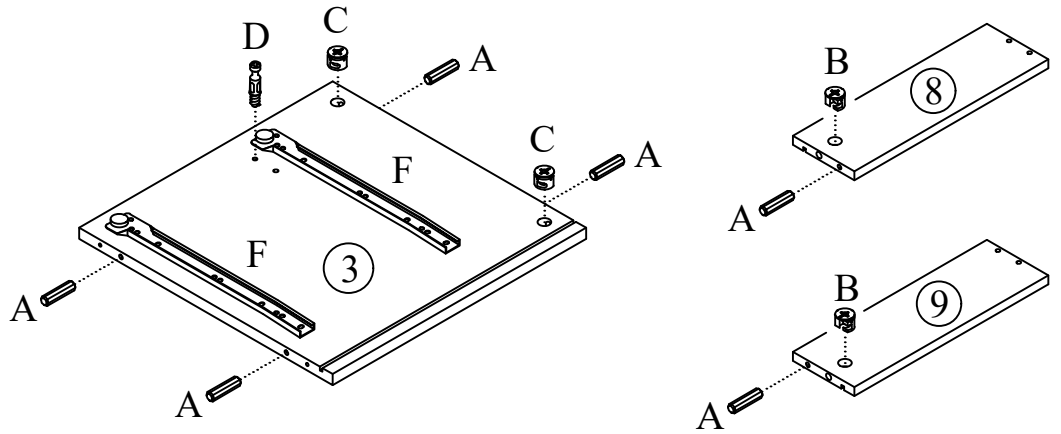
Philips Head Screwdriver



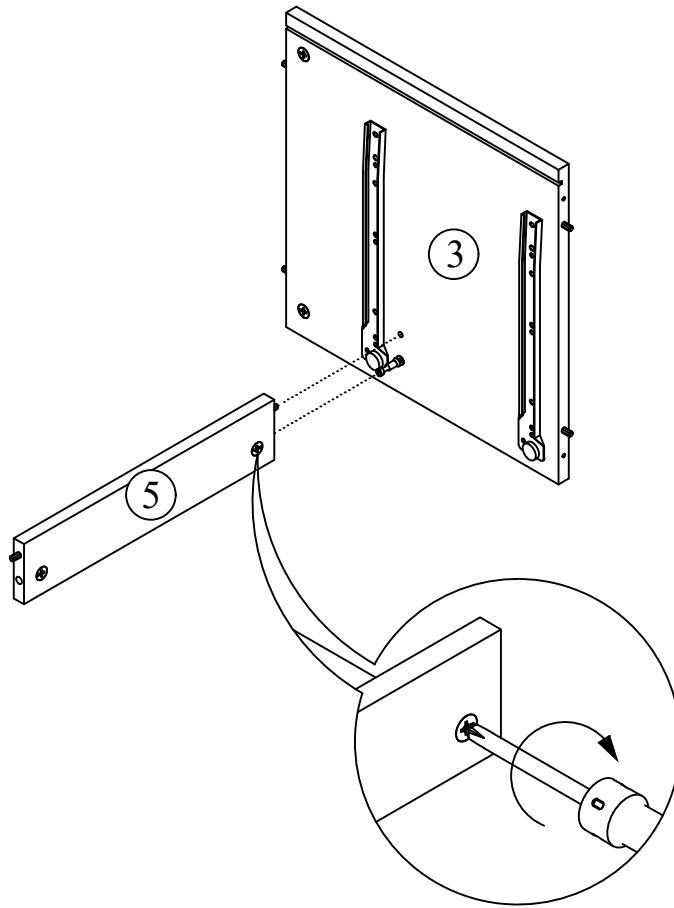
Soft Head Mallet

1

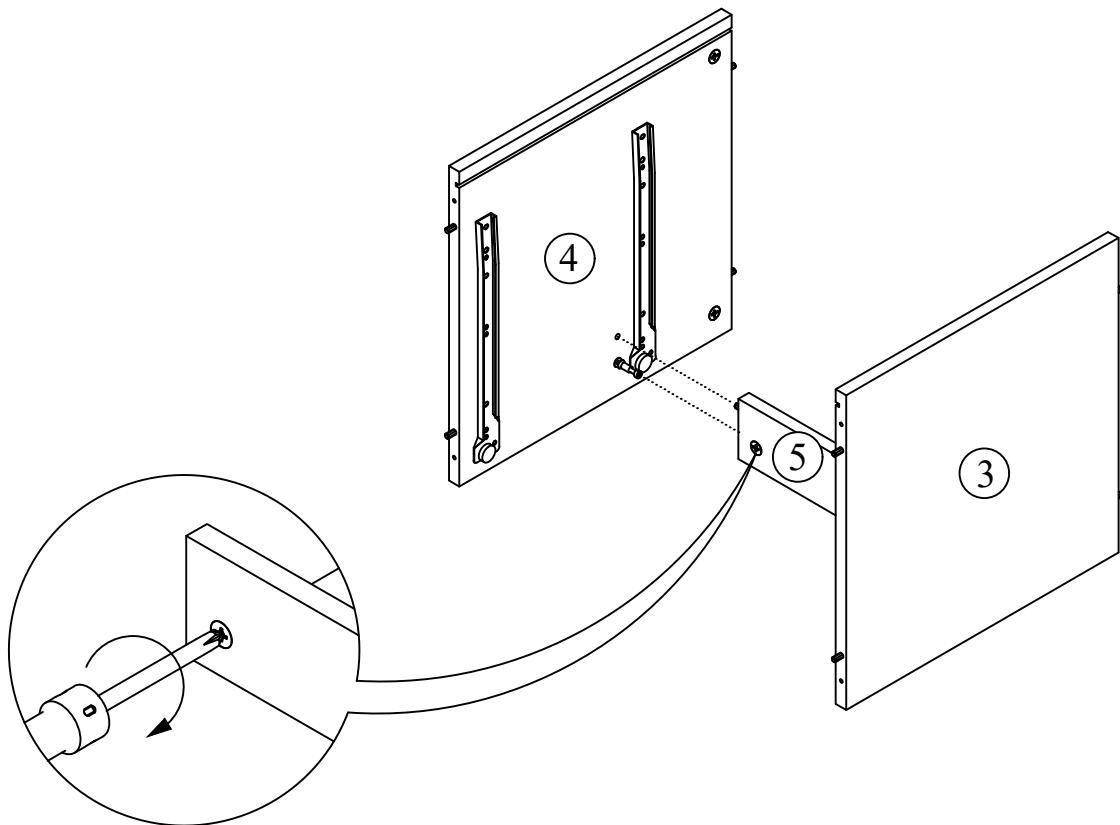
|   |   |    |
|---|---|----|
| A |   | 14 |
| B |  | 6  |
| C |  | 6  |
| D |  | 12 |
| E |  | 12 |
| F |  | 2  |
| H |  | 4  |
| I |  | 4  |



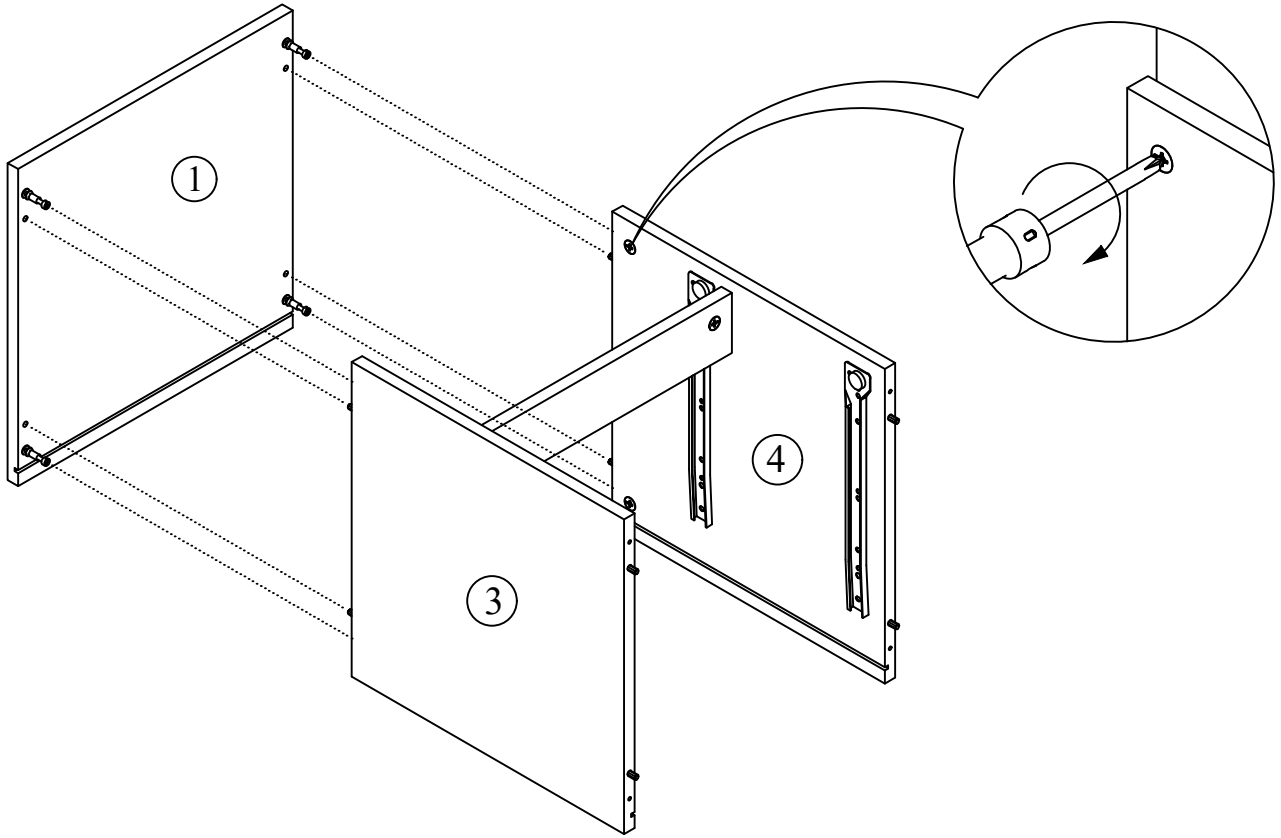
2



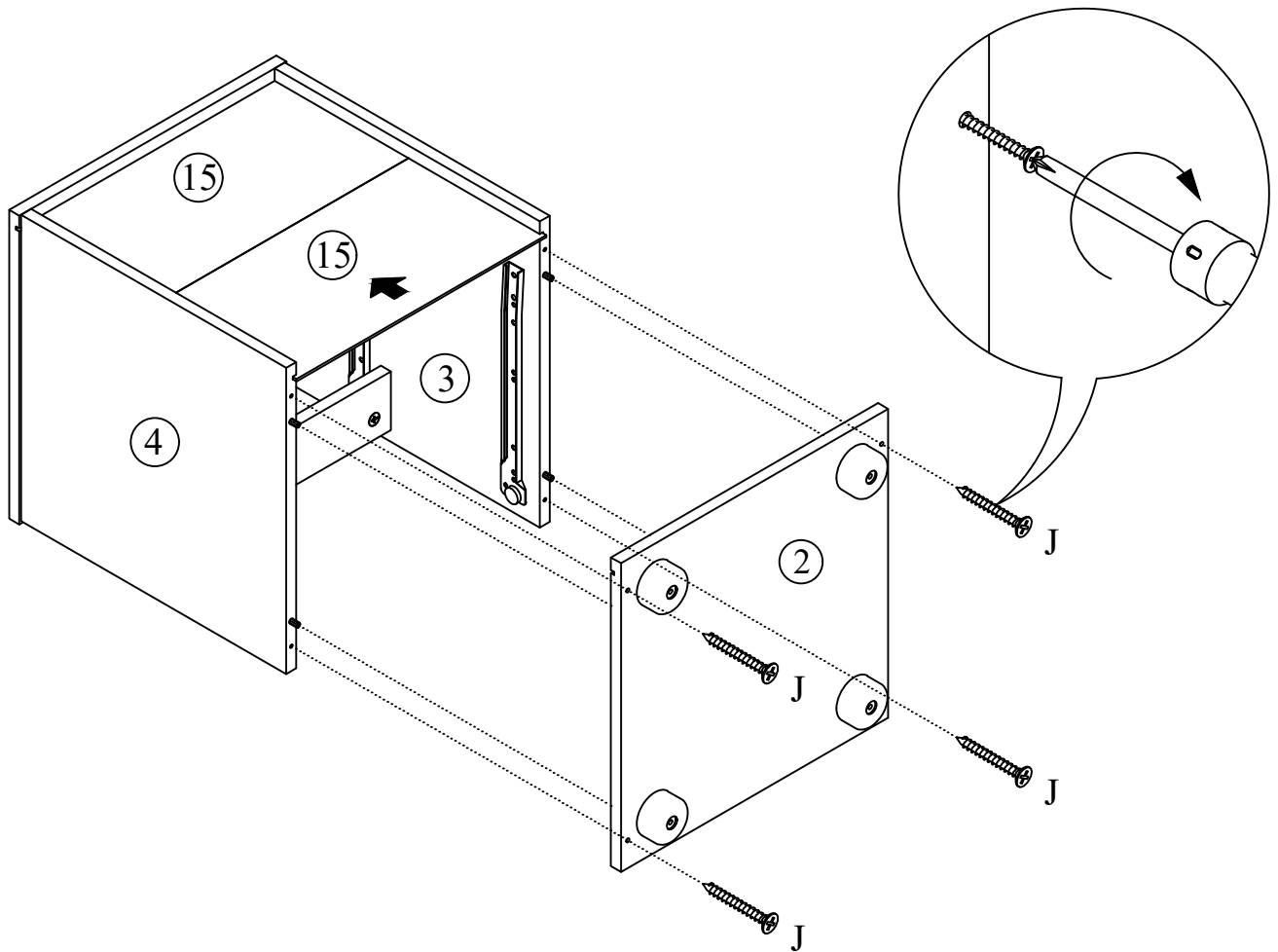
3




4

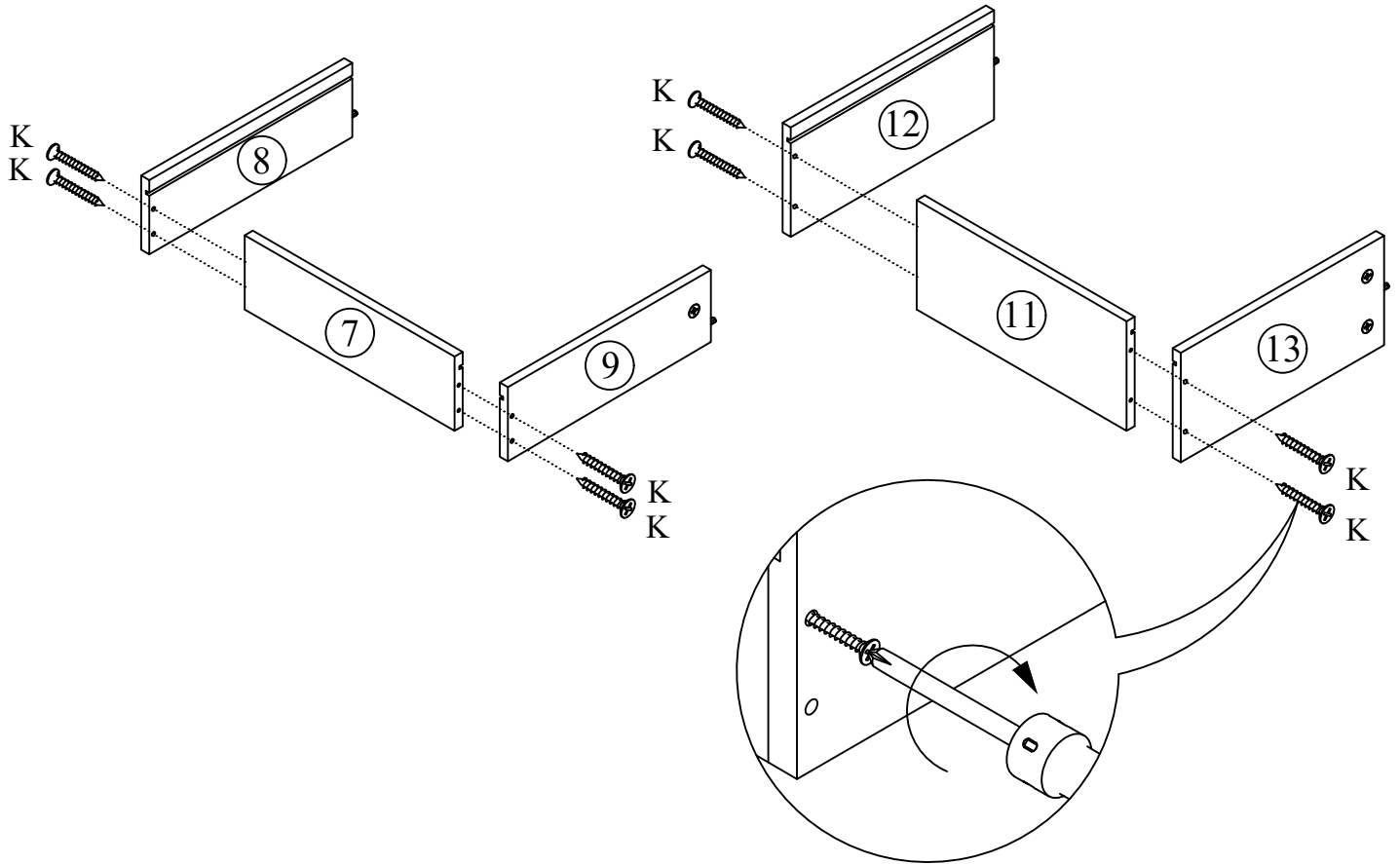


5

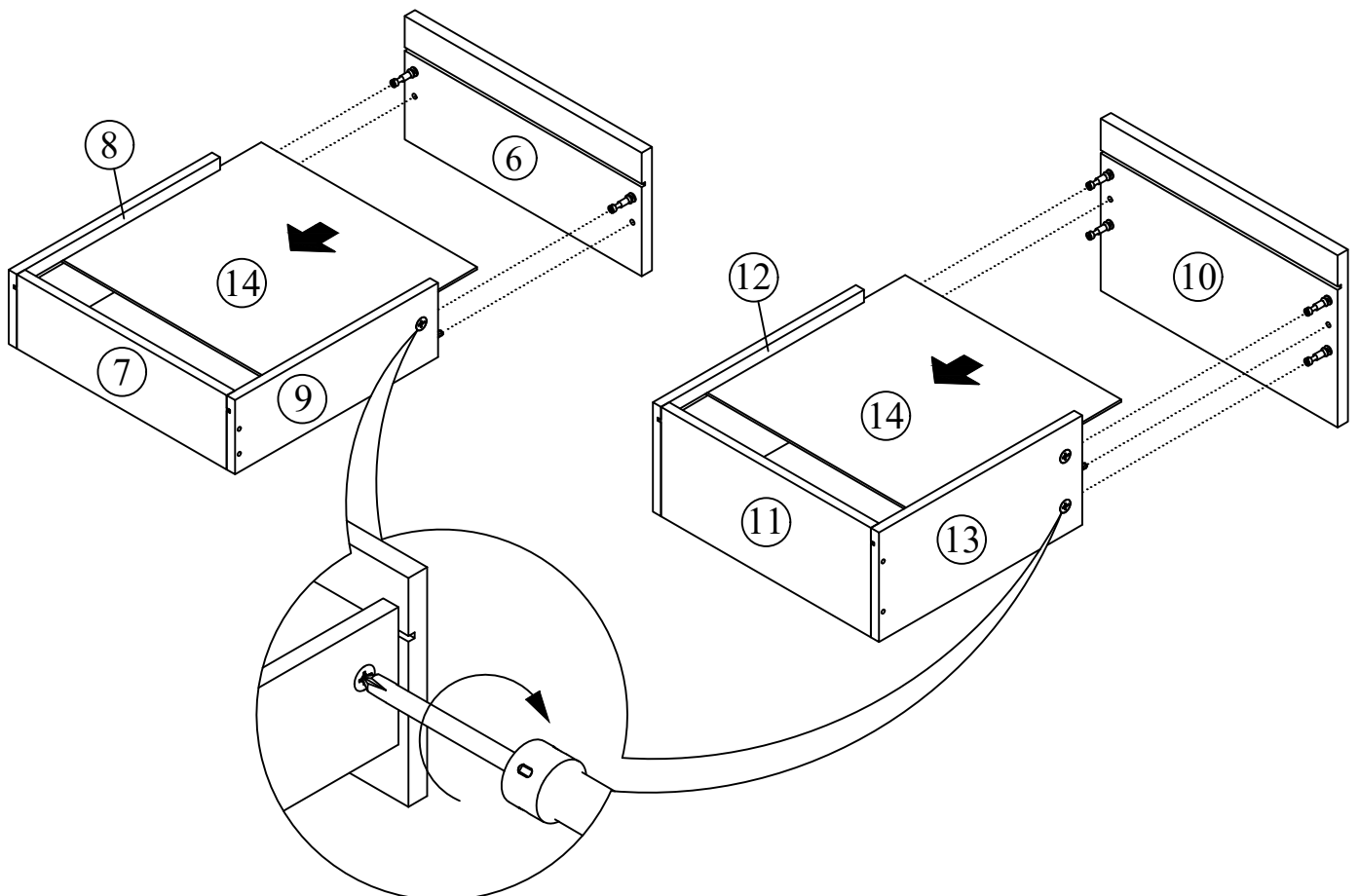


6




|   |  |   |
|---|--|---|
| K |  | 8 |
|---|--|---|



7



8

|   |   |    |
|---|---|----|
| E |    | 12 |
| G |  | 2  |
| L |  | 2  |

