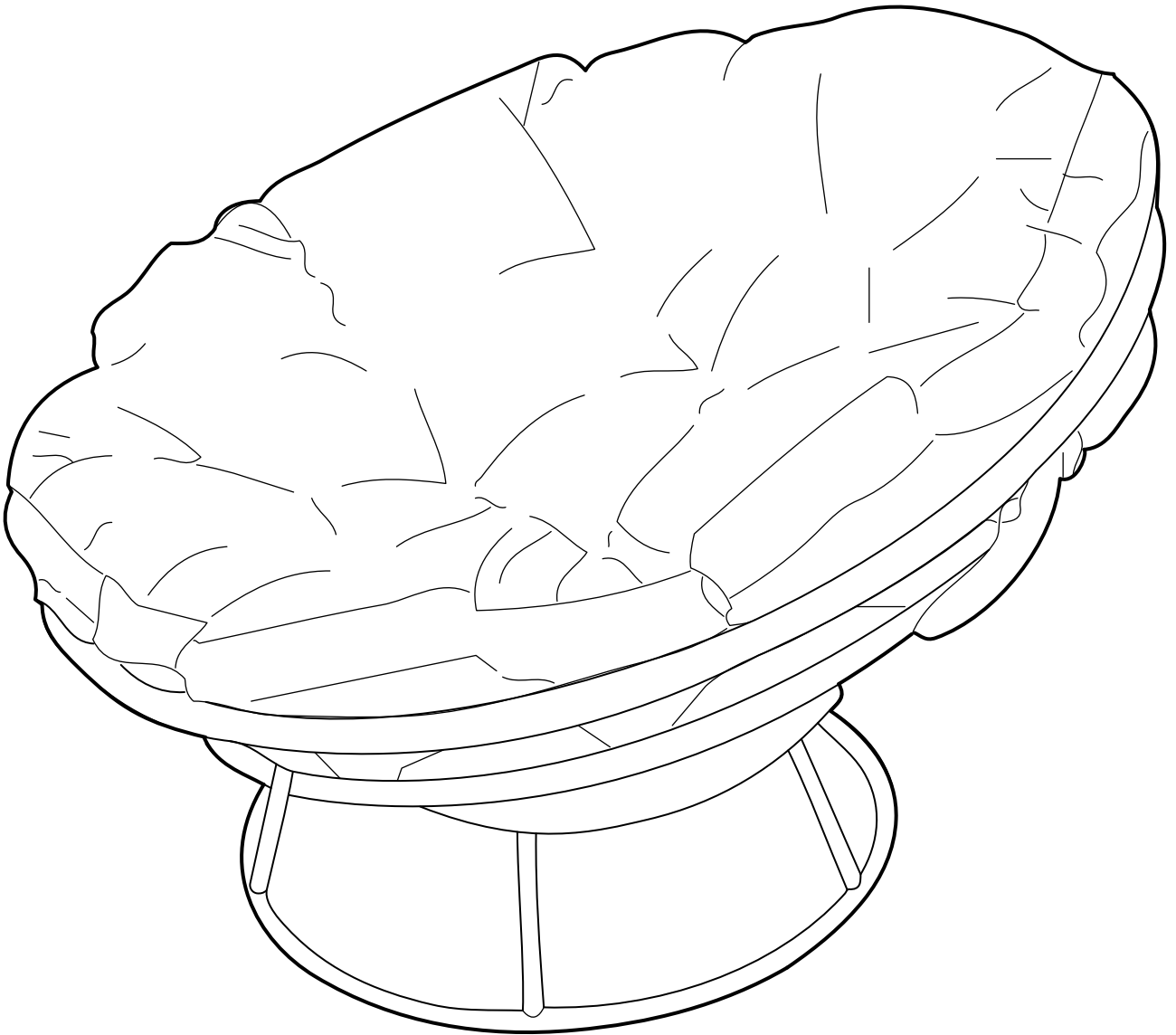
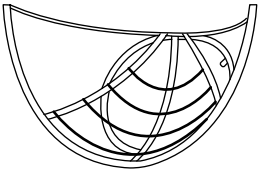
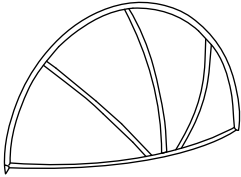
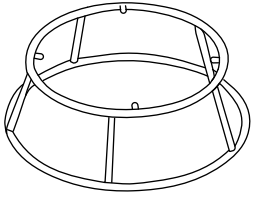
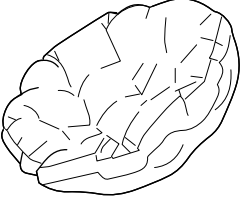
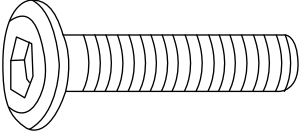
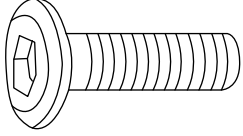
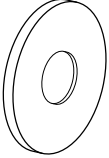
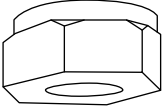
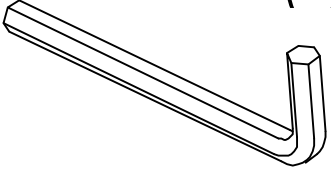
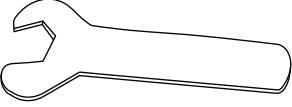
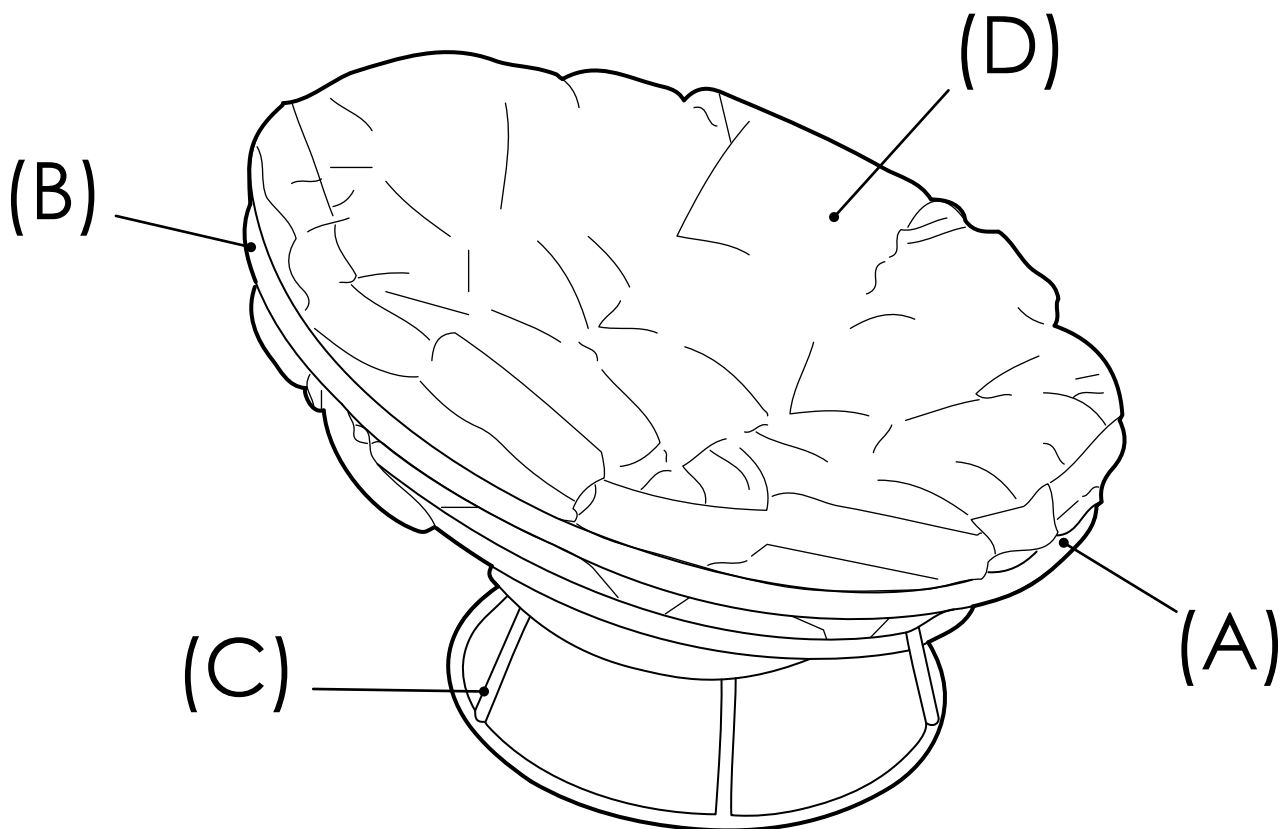



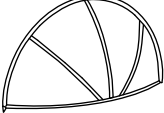
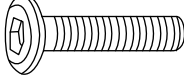

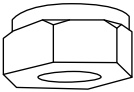
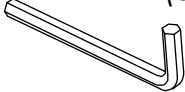

# GRS

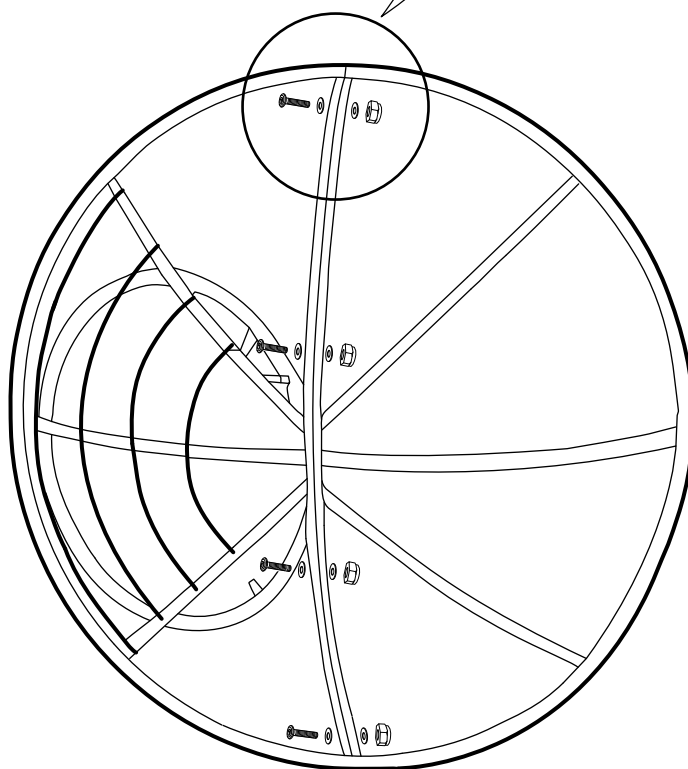
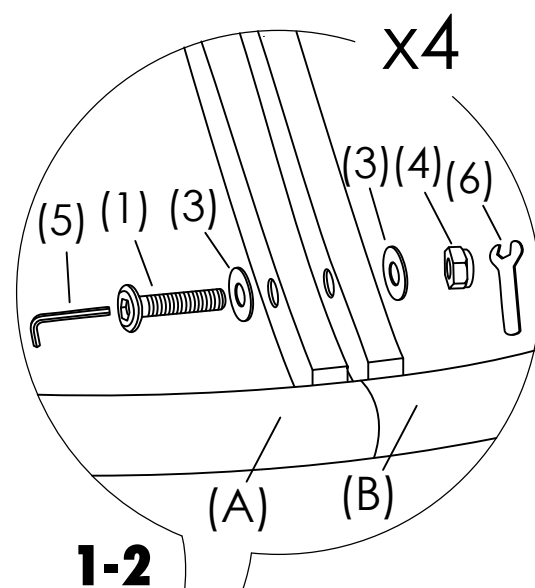
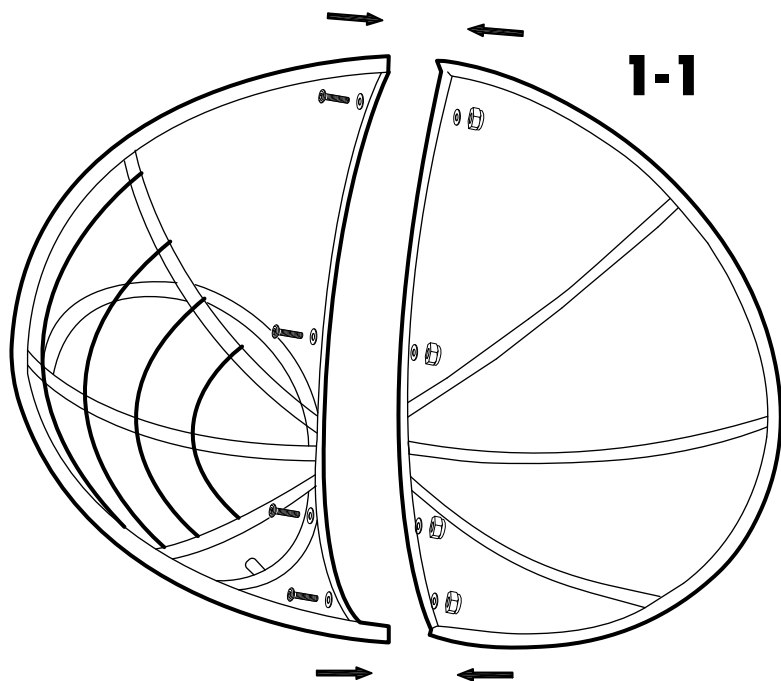


 <p>(A)x1</p>	 <p>(B)x1</p>	 <p>(C)x1</p>
 <p>(D)x1</p>	 <p>(1)x4</p>	 <p>(2)x4</p>
 <p>(3)x16</p>	 <p>(4)x8</p>	 <p>(5)x1</p>
 <p>(6)x1</p>		

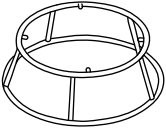
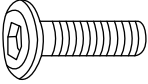


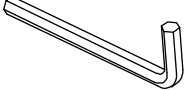



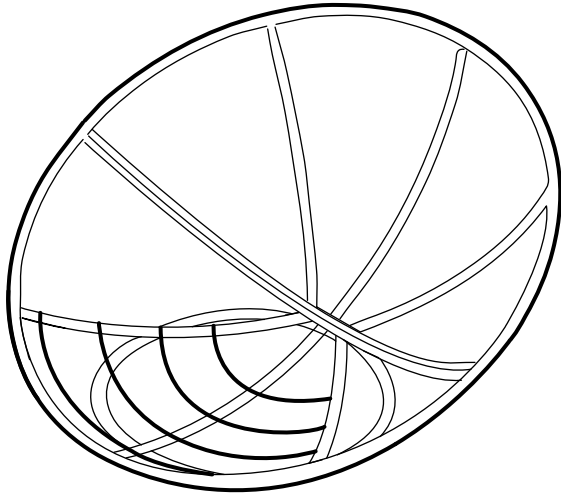
# 1.

 (A)x1	 (B)x1	 (1)x4	 (3)x8
 (4)x4	 (5)x1	 (6)x1	

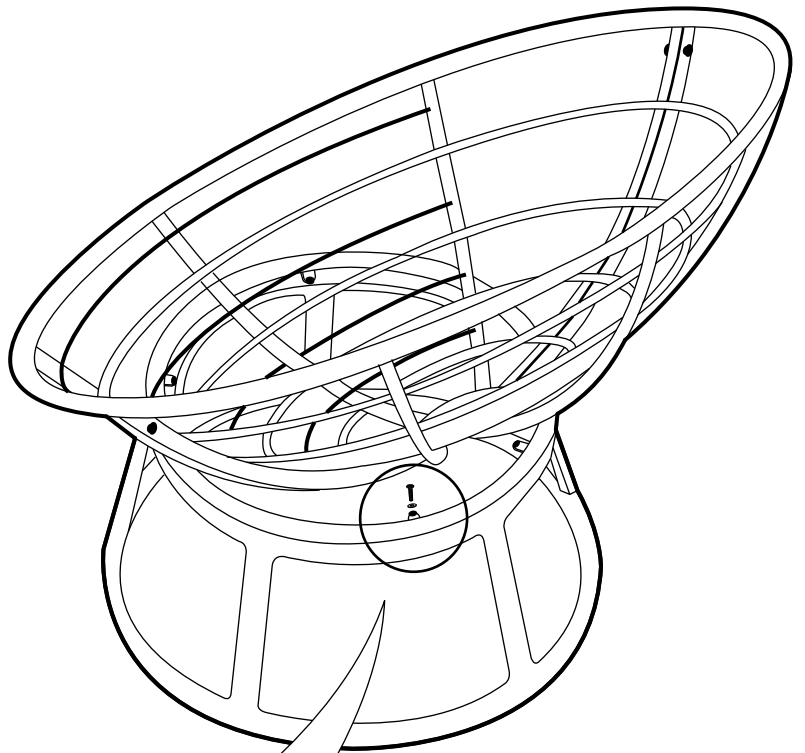
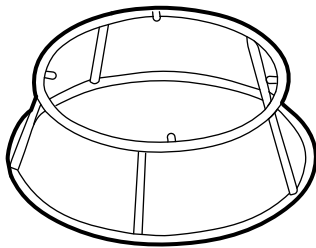


# 2.

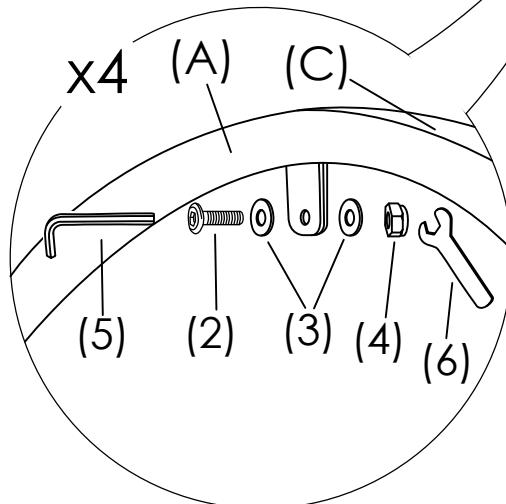
 (D)x1	 (2)x4	 (3)x8	 (4)x4
 (5)x1	 (6)x1		



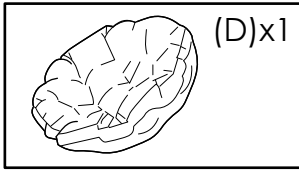
↓ ↓ **2-1**



**2-2**



**3.**



**3-1**

