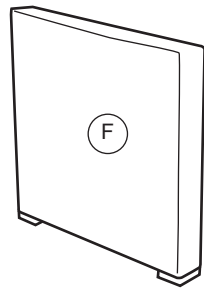
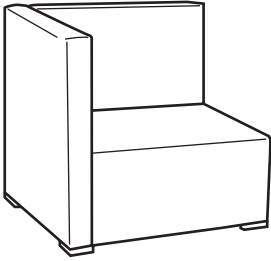
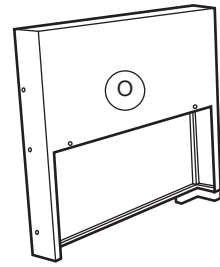


6 Piece Lounger Sets

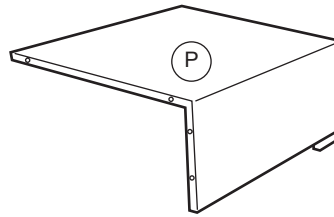
PACKAGE CONTENT



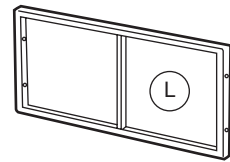
Right Sofa Leg



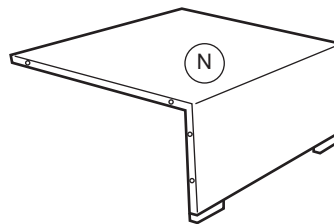
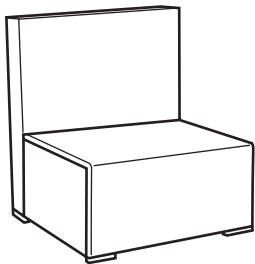
Right Sofa Backrest



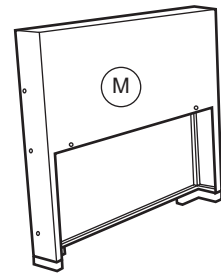
Right Sofa Seat



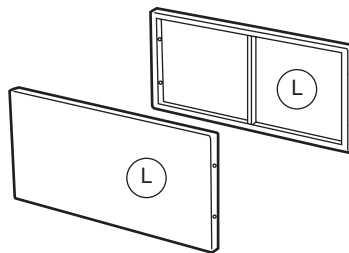
Sofa Side Panel



Middle Sofa Seat

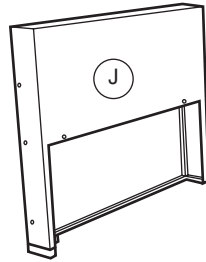
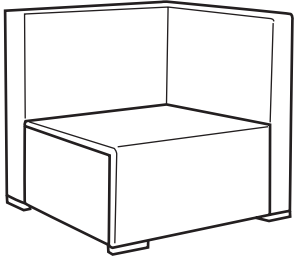


Middle Sofa Backrest

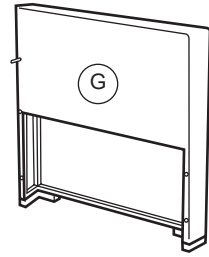


Sofa Side Panel

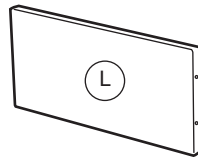
PACKAGE CONTENT



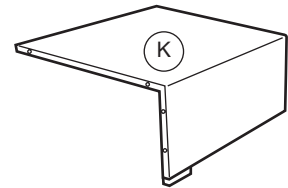
Left Sofa Backrest



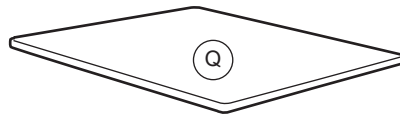
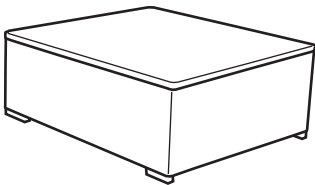
Left Sofa Leg



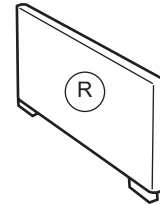
Sofa Side Panel



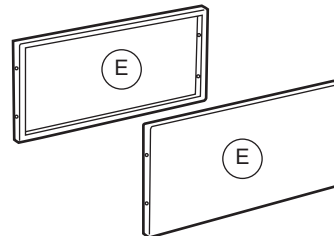
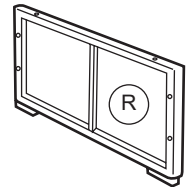
Left Sofa Seat



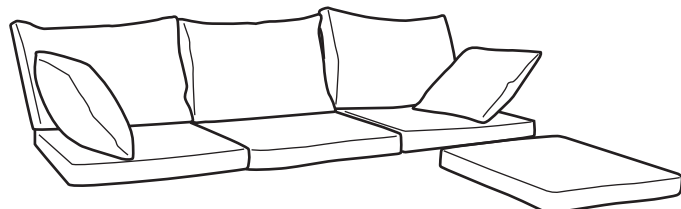
Leg rest Top



Leg rest Leg

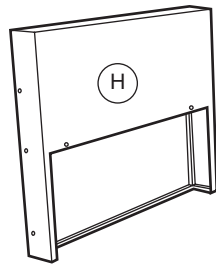
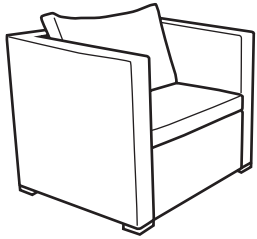


Leg rest Side Panel

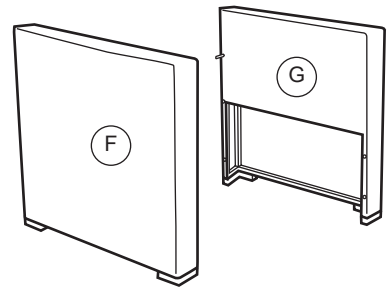


Sofa Cushion

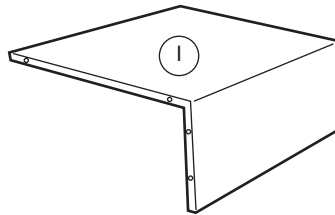
PACKAGE CONTENT



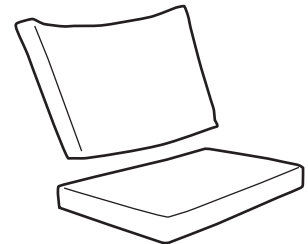
Backrest



Leg Set



Seat



Cushion

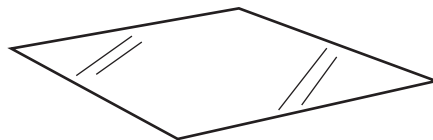
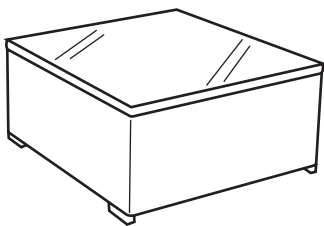


Table Glass

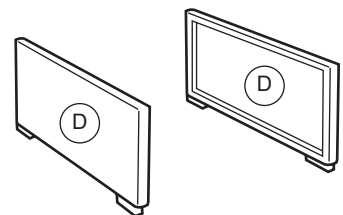


Table Legs

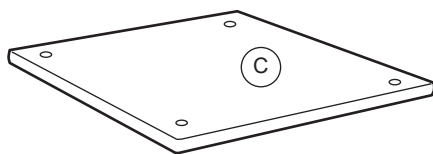


Table Top

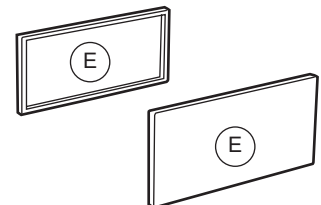
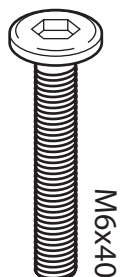


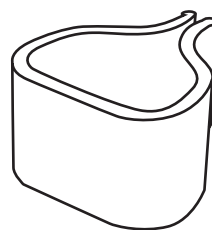
Table Connector



72X

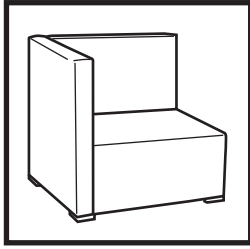


72X

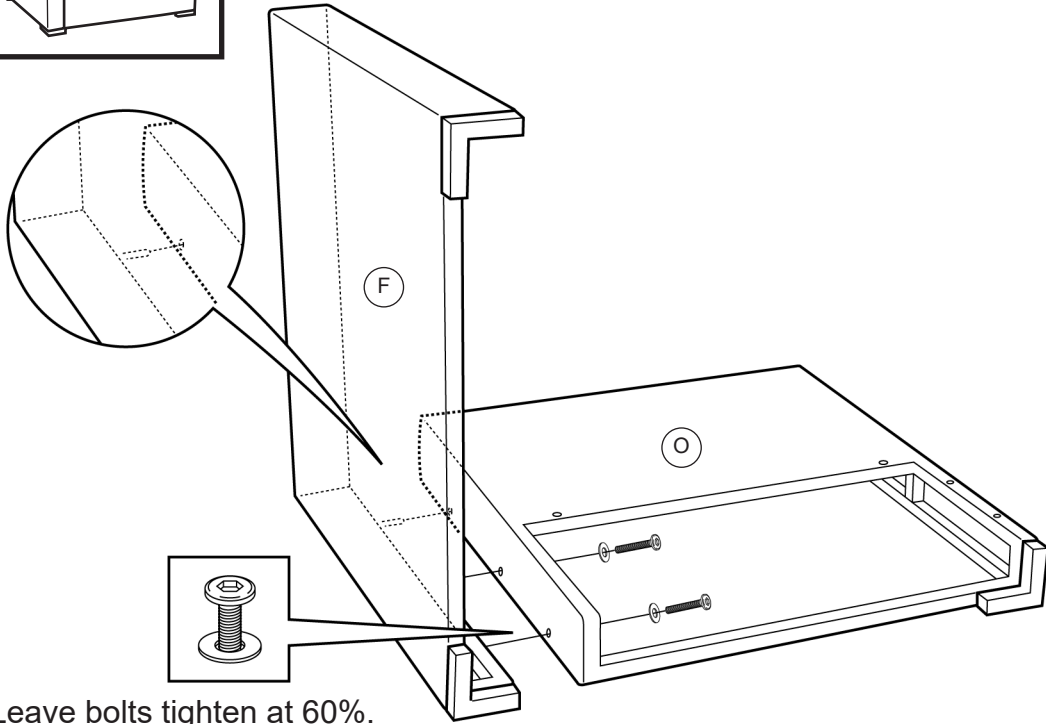


6X

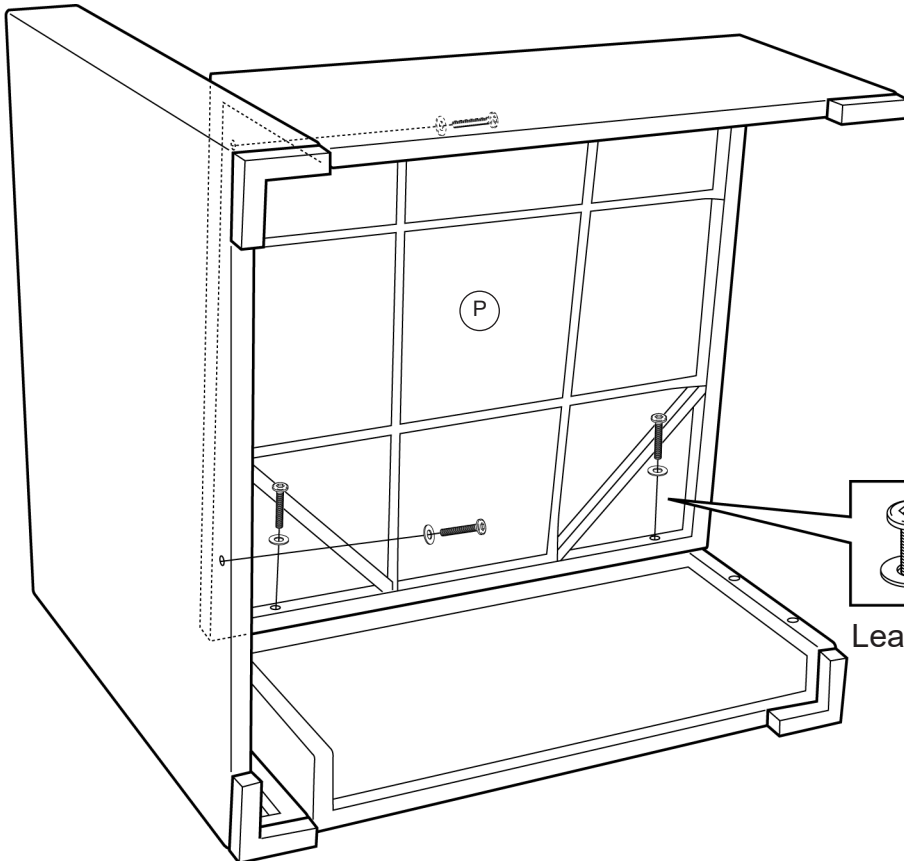
1



Do not fully tighten the bolts until all parts are assembled.

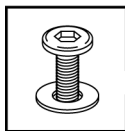


2

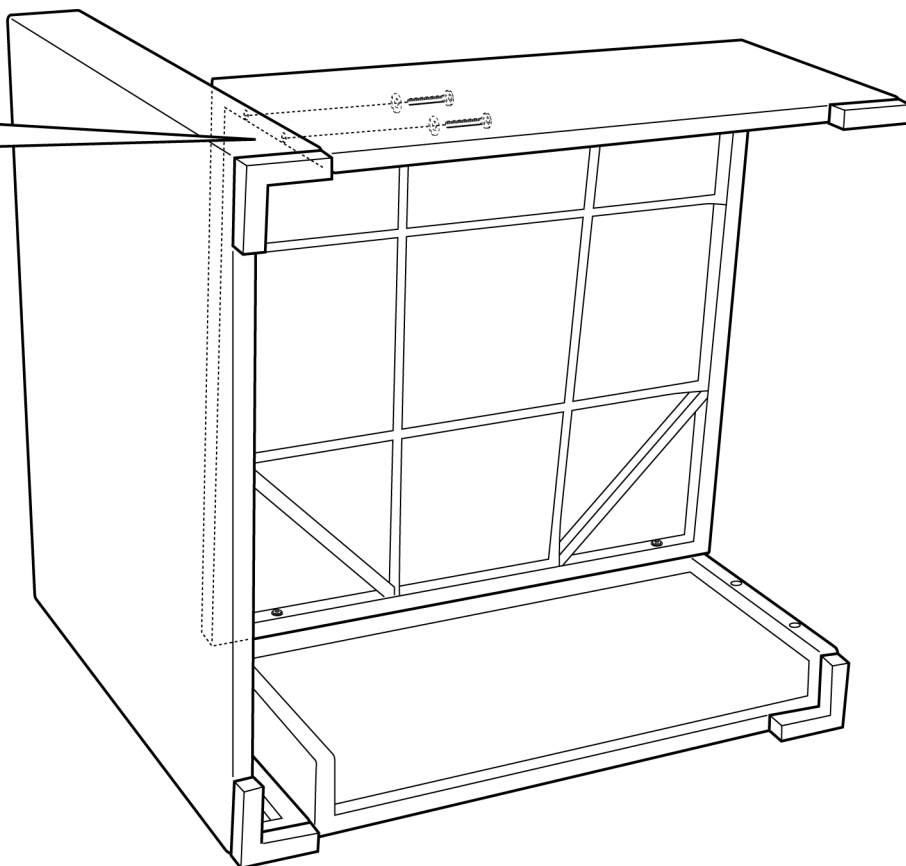


Leave bolts tighten at 60%.

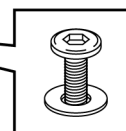
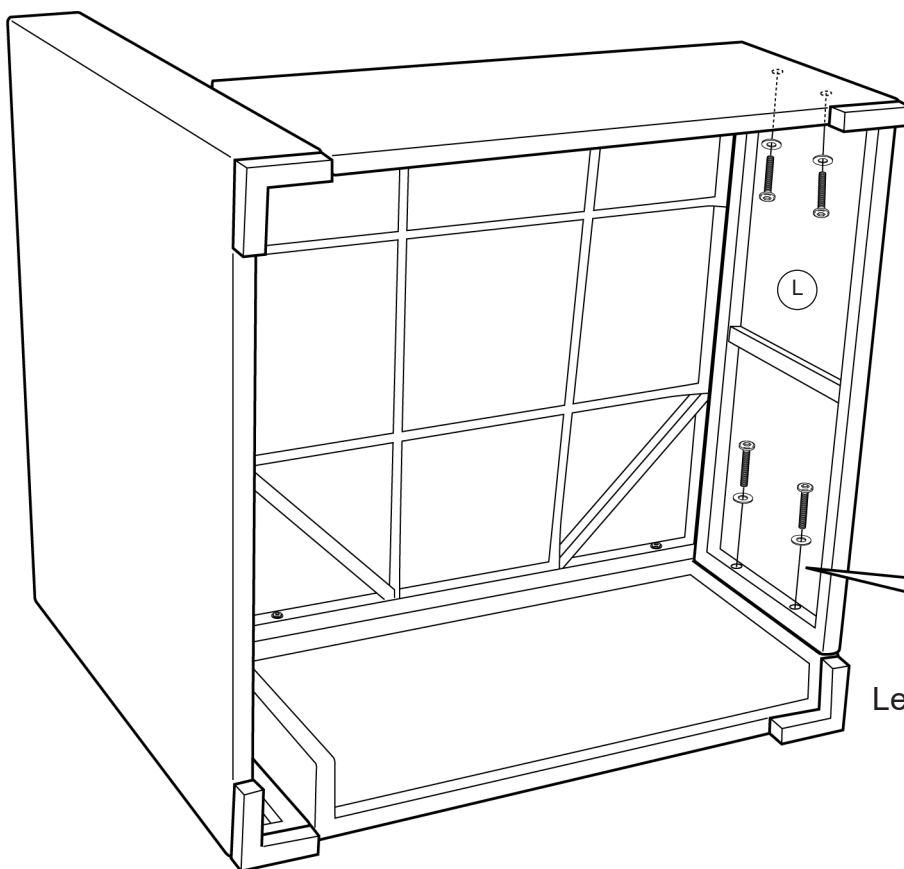
3



Leave bolts tighten at 60%.

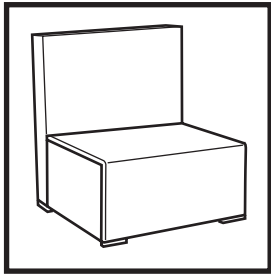


4

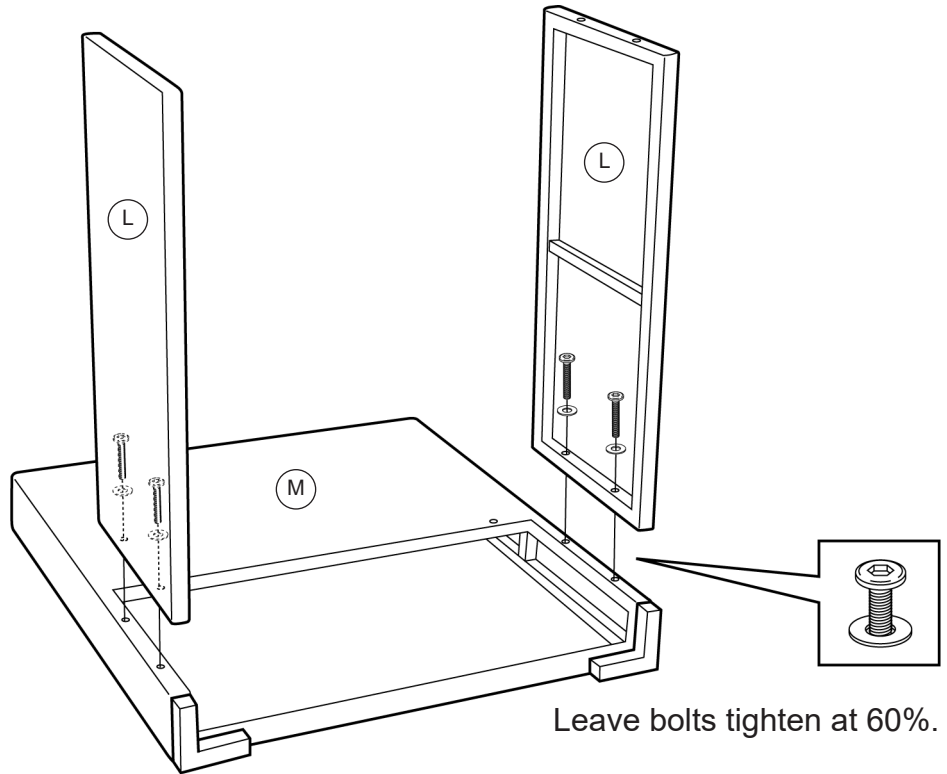


Leave bolts tighten at 60%.

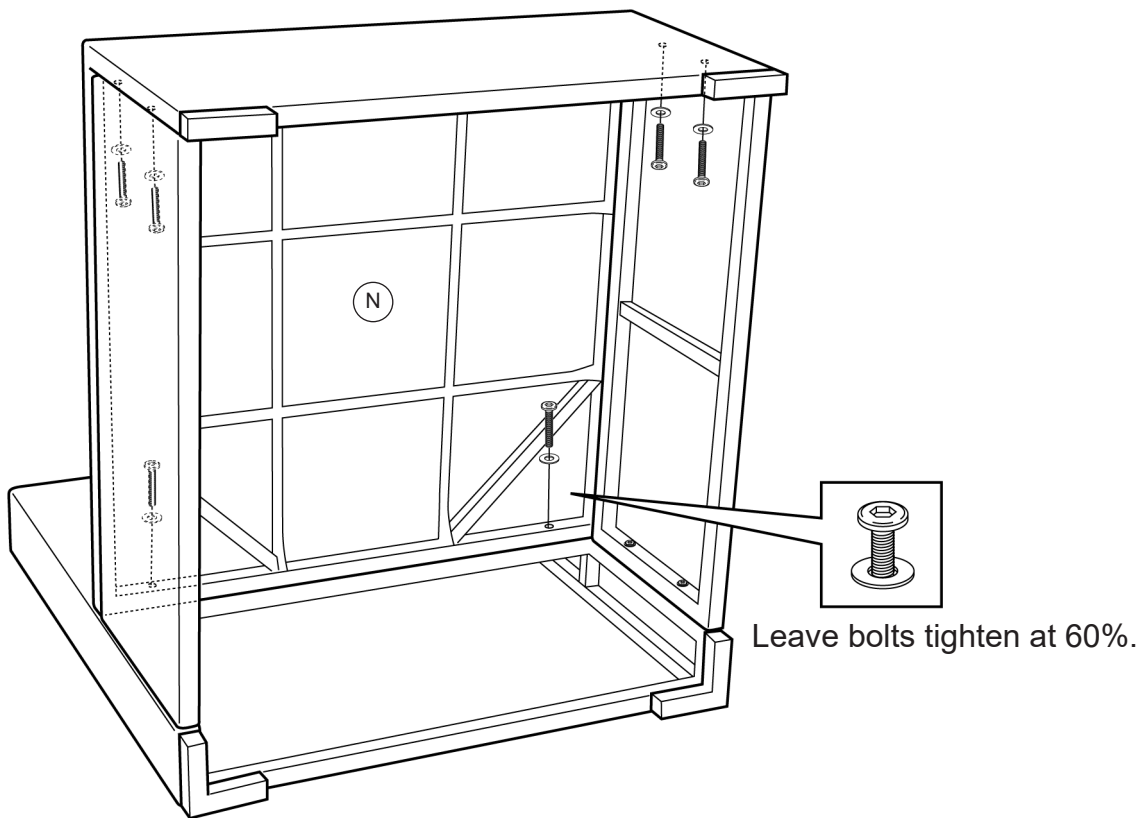
5



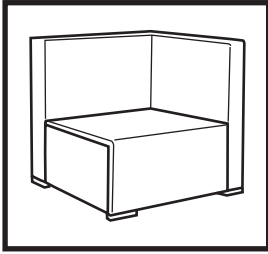
Do not fully tighten the bolts until all parts are assembled.



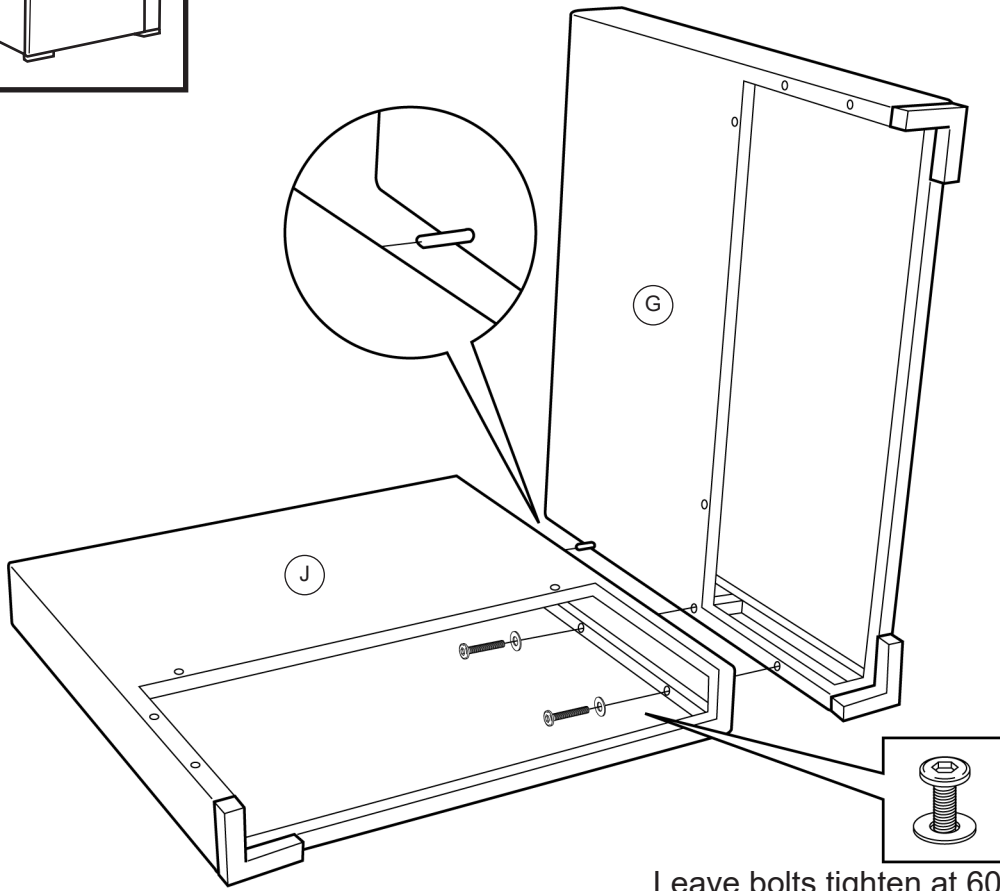
6



7

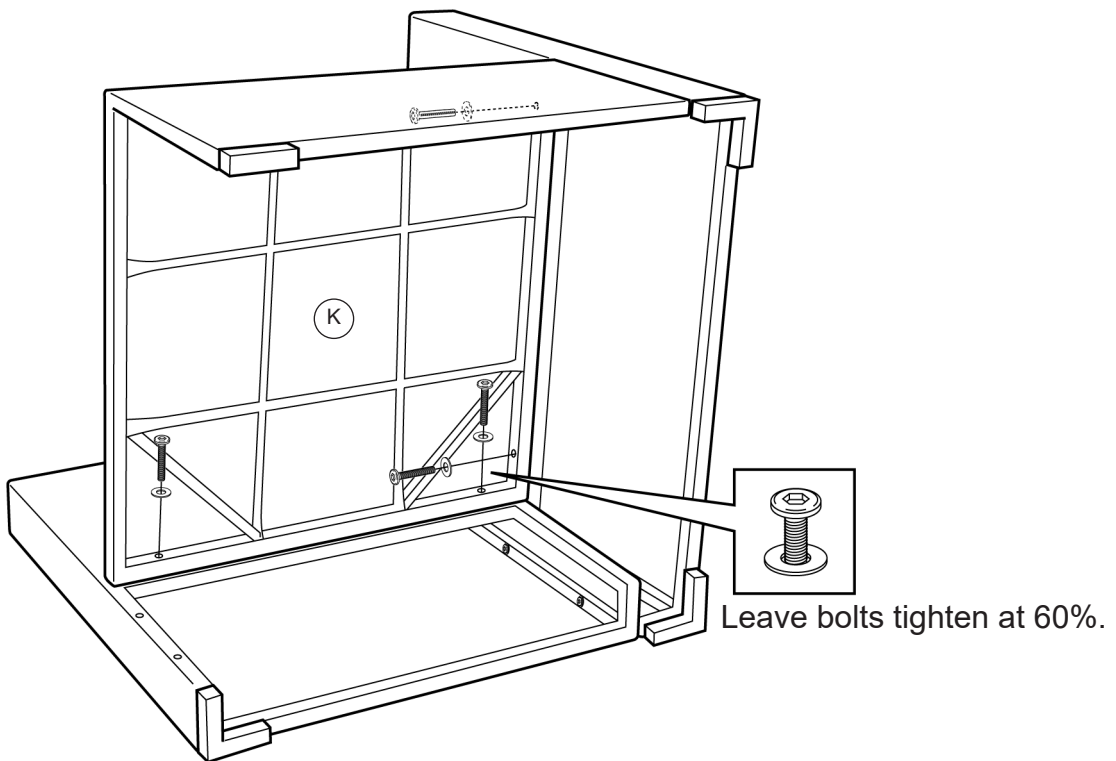


Do not fully tighten the bolts until all parts are assembled.



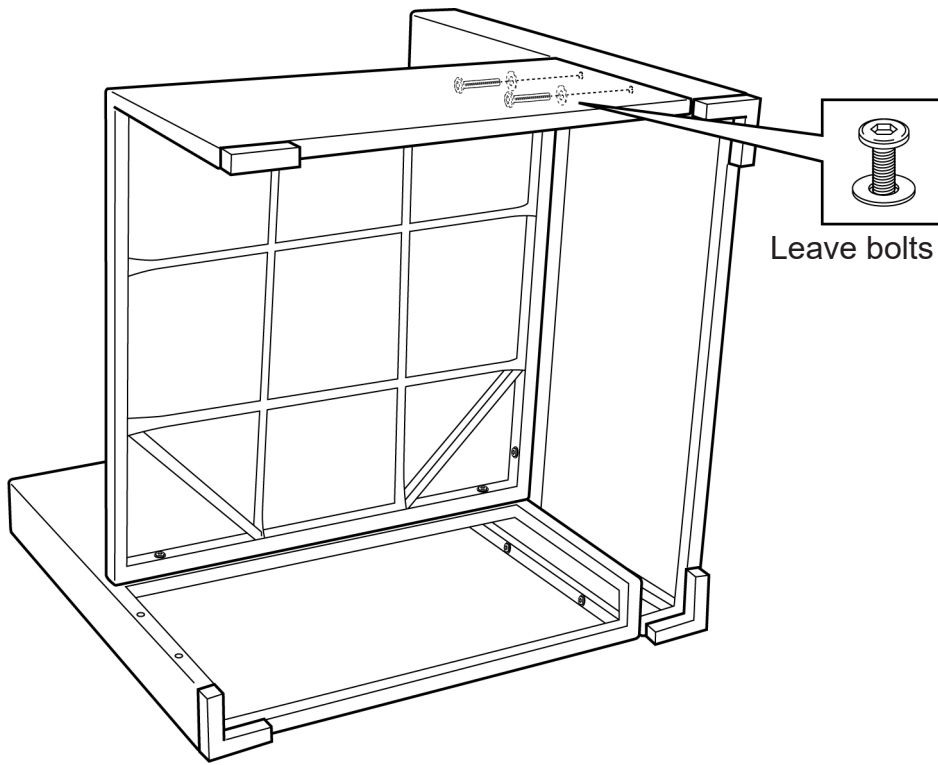
Leave bolts tighten at 60%.

8



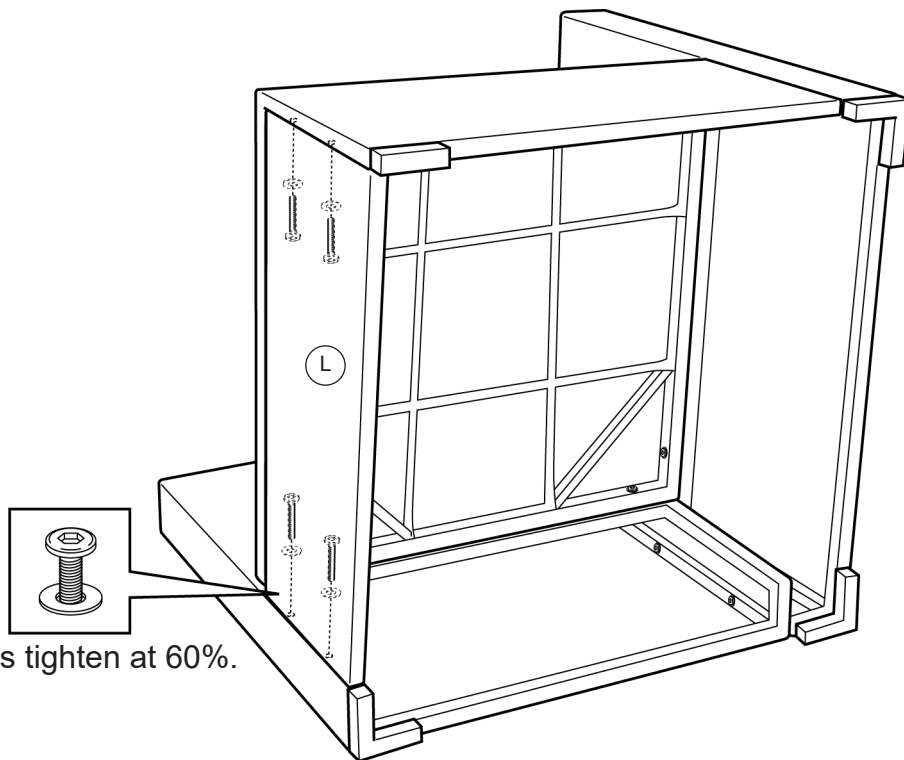
Leave bolts tighten at 60%.

9



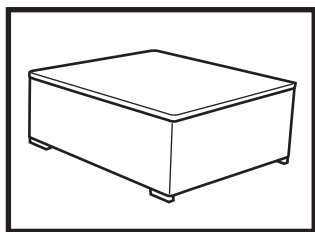
Leave bolts tighten at 60%.

10

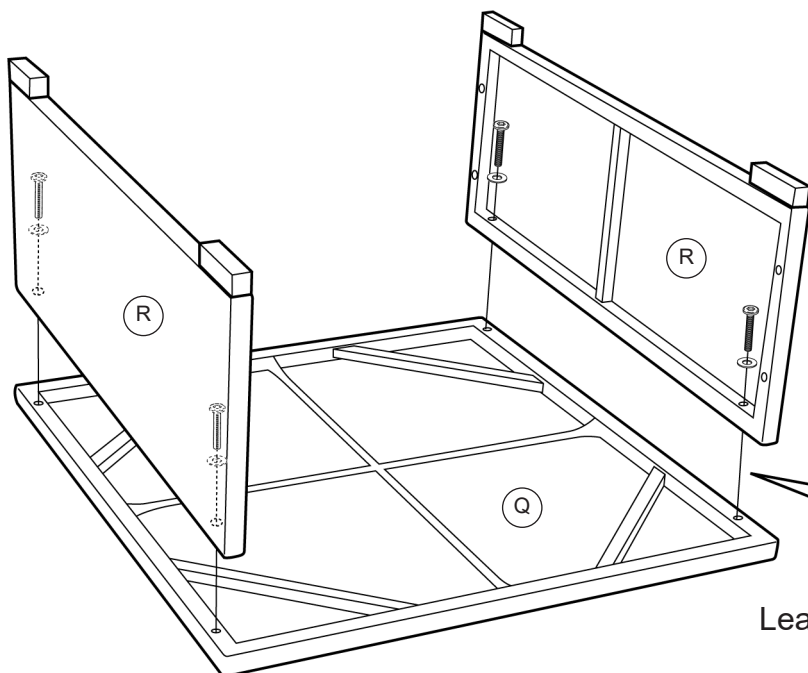


Leave bolts tighten at 60%.

11

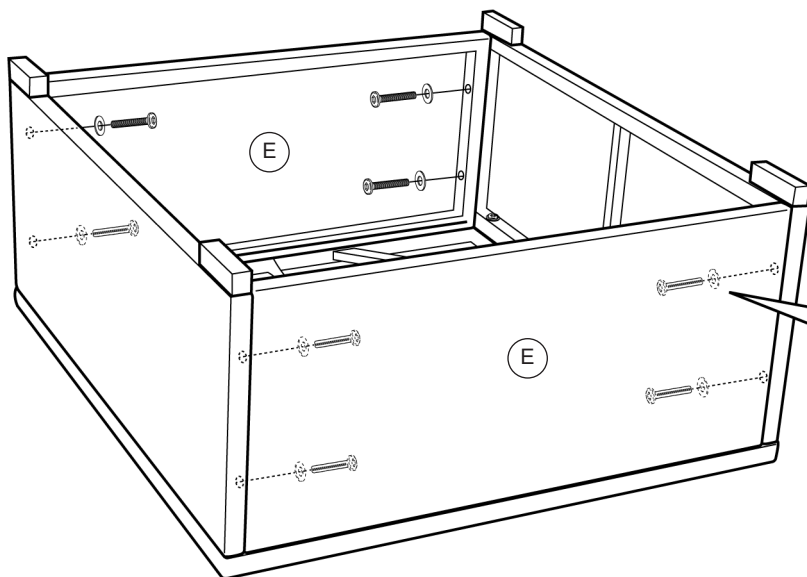


Do not fully tighten the bolts until all parts are assembled.



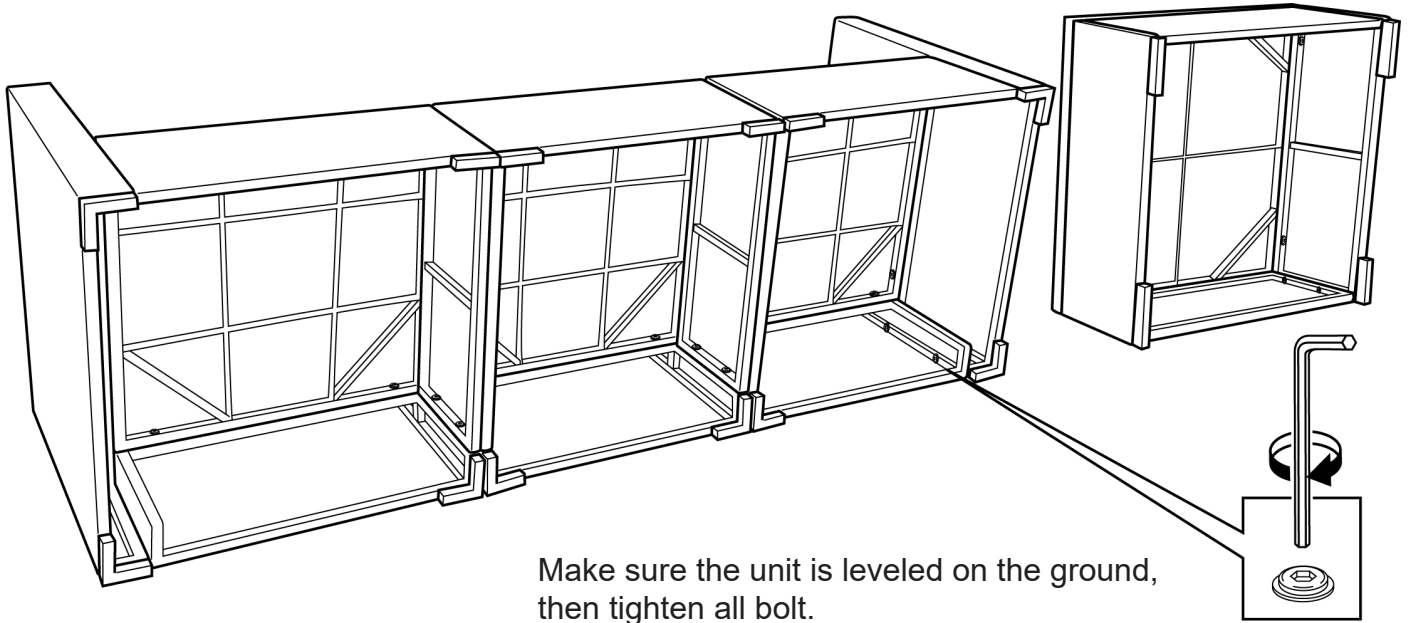
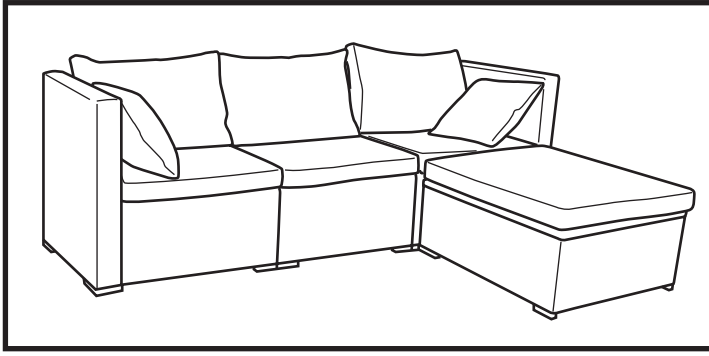
Leave bolts tighten at 60%.

12



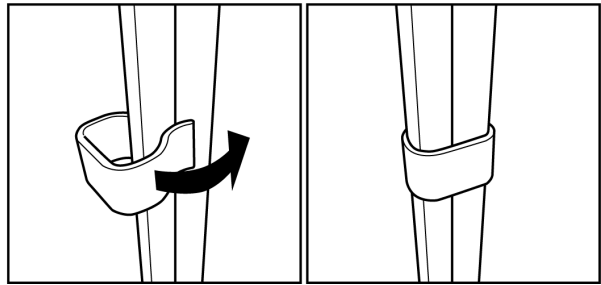
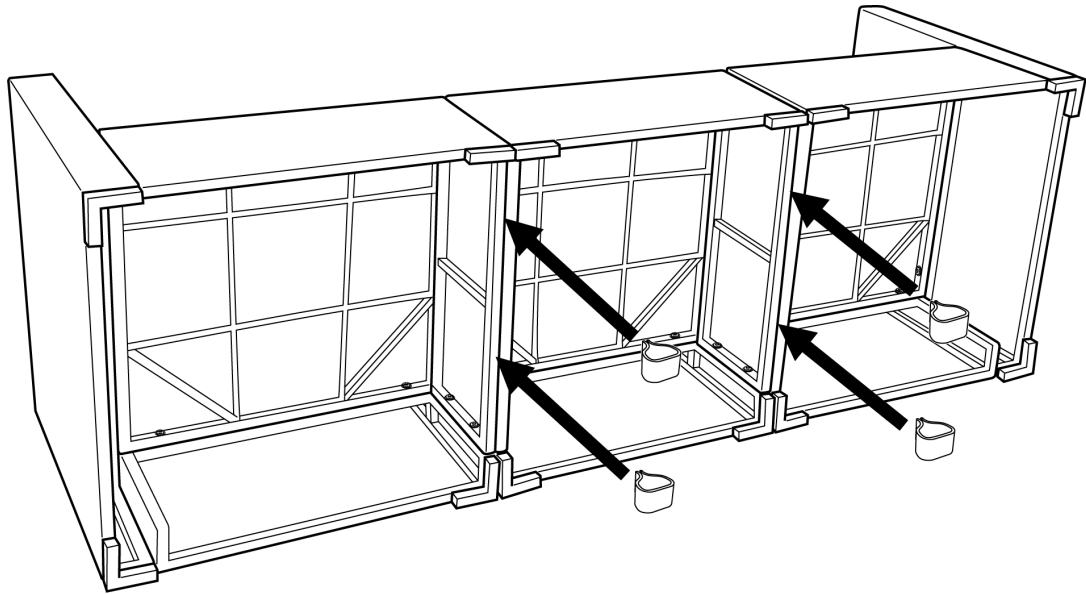
Leave bolts tighten at 60%.

13



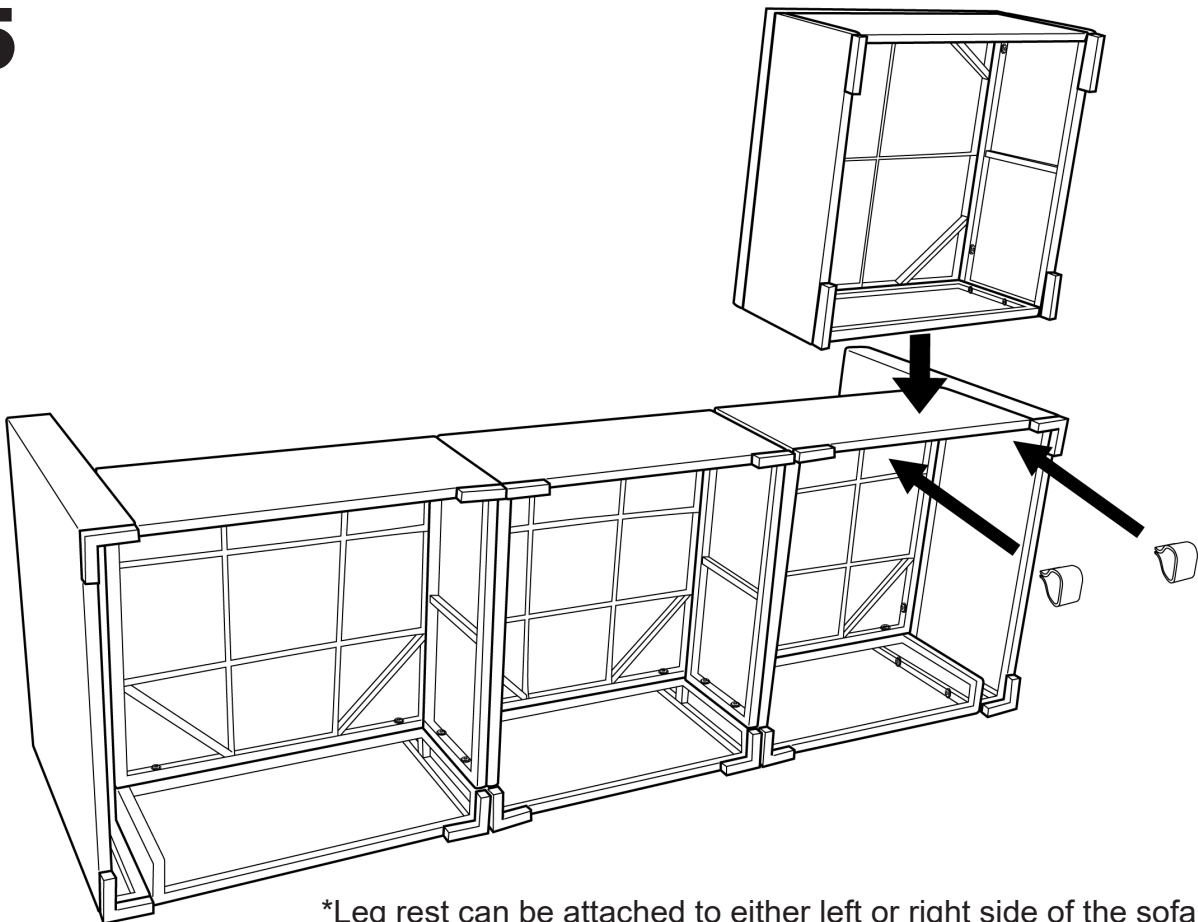
Make sure the unit is leveled on the ground, then tighten all bolt.

14



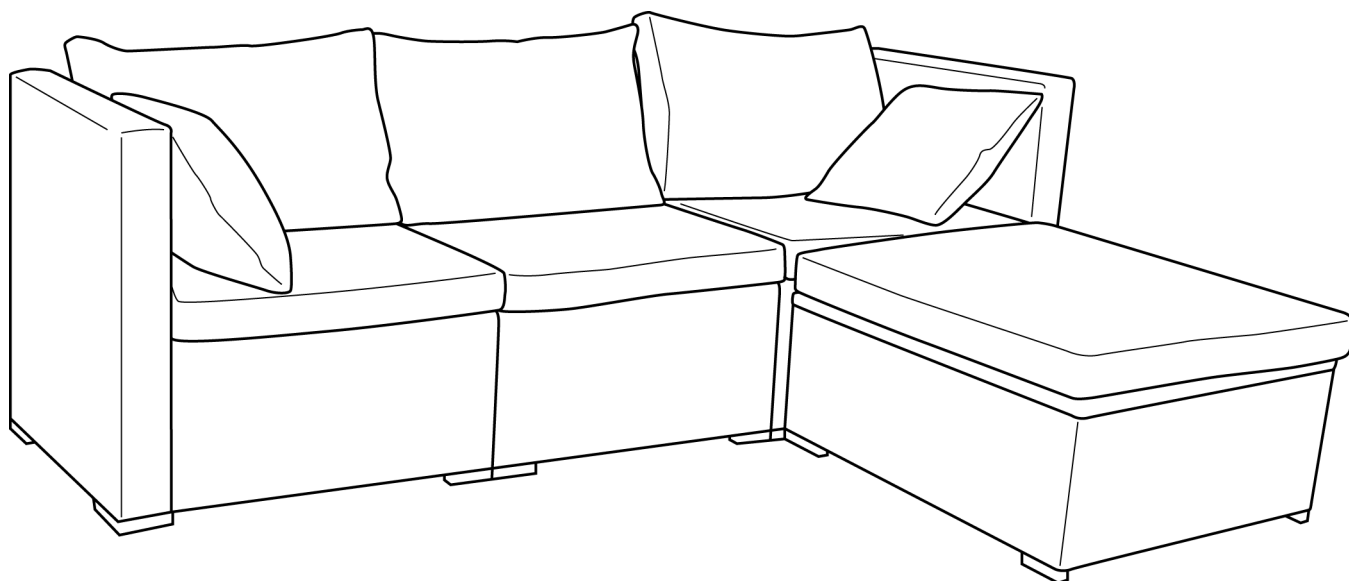
Clip the sofa modules together.

15



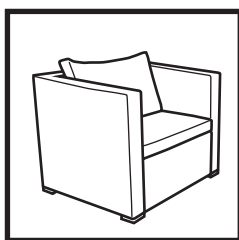
*Leg rest can be attached to either left or right side of the sofa.

16

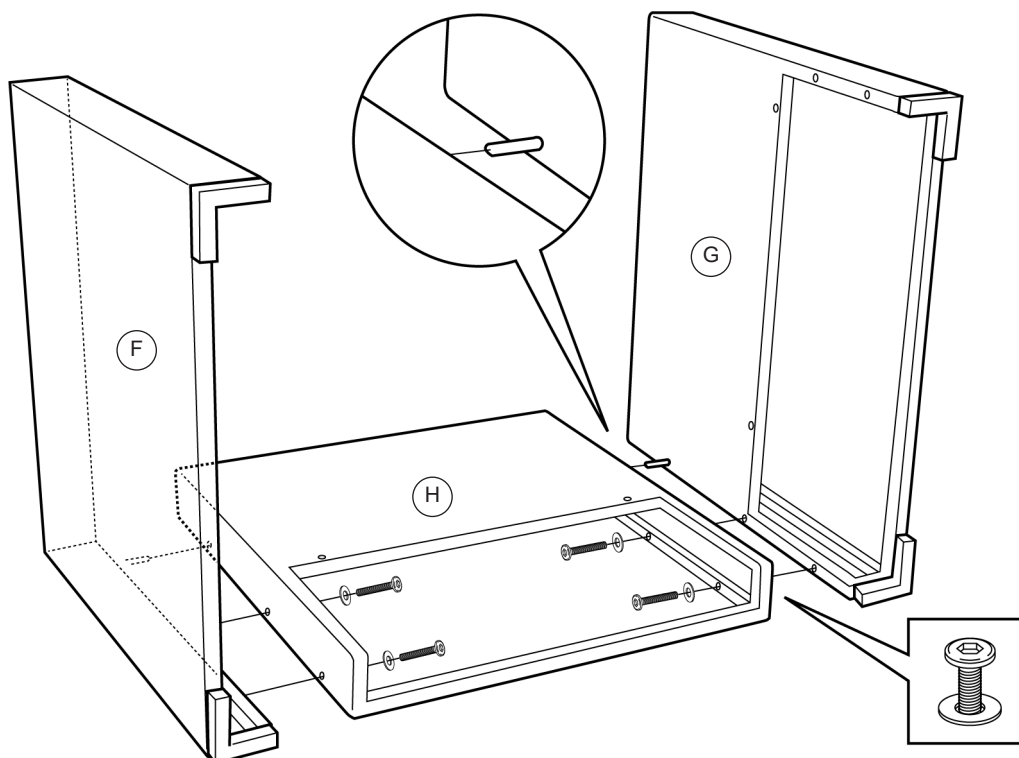


Place the cushions on top of the sofa.

17

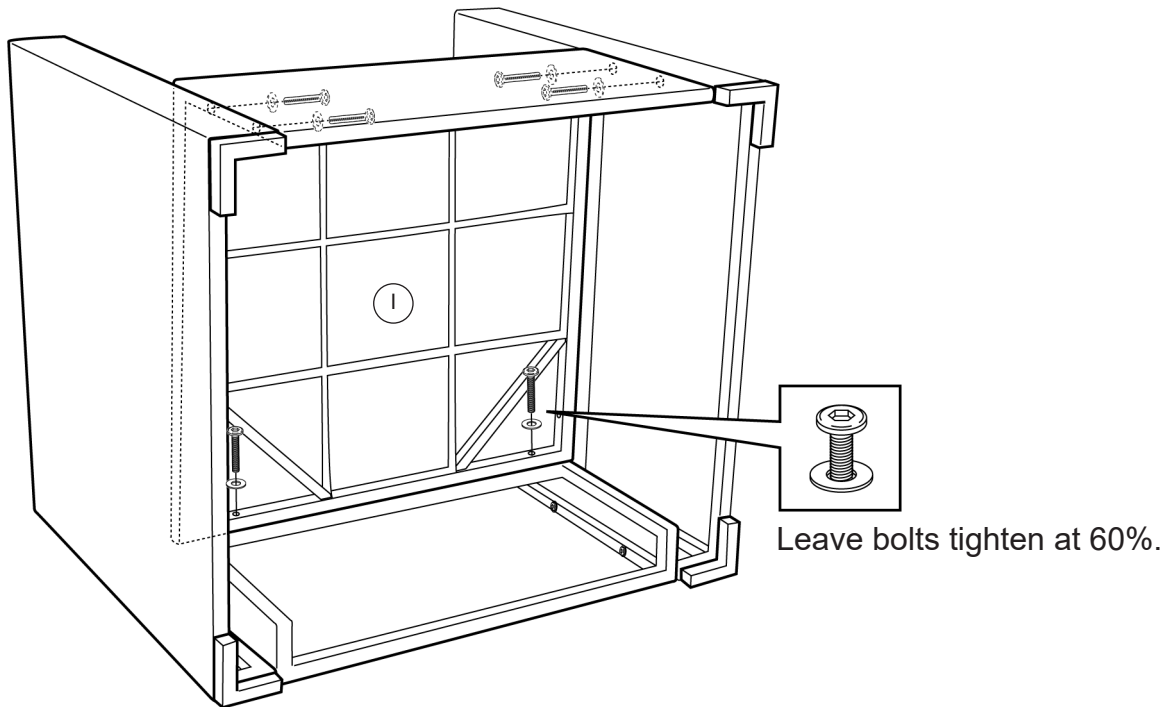


Do not fully tighten the bolts until all parts are assembled.

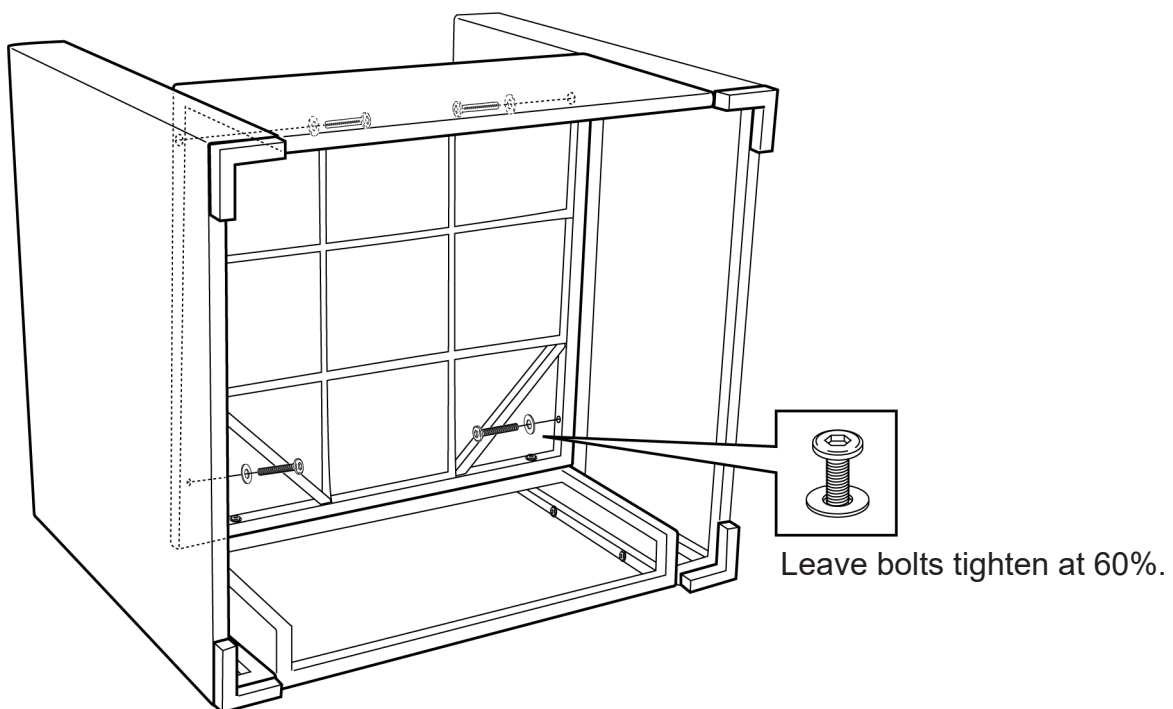


Leave bolts tighten at 60%.

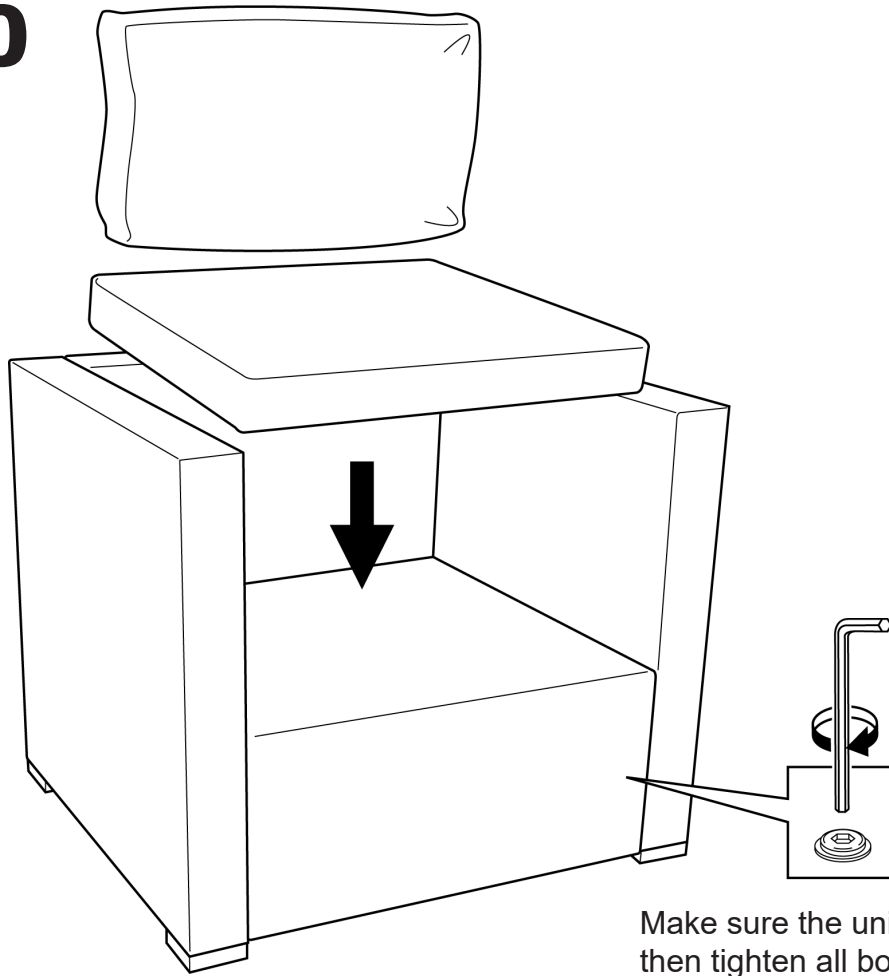
18



19

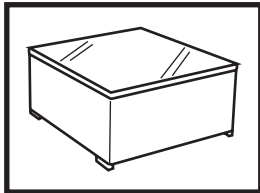


20

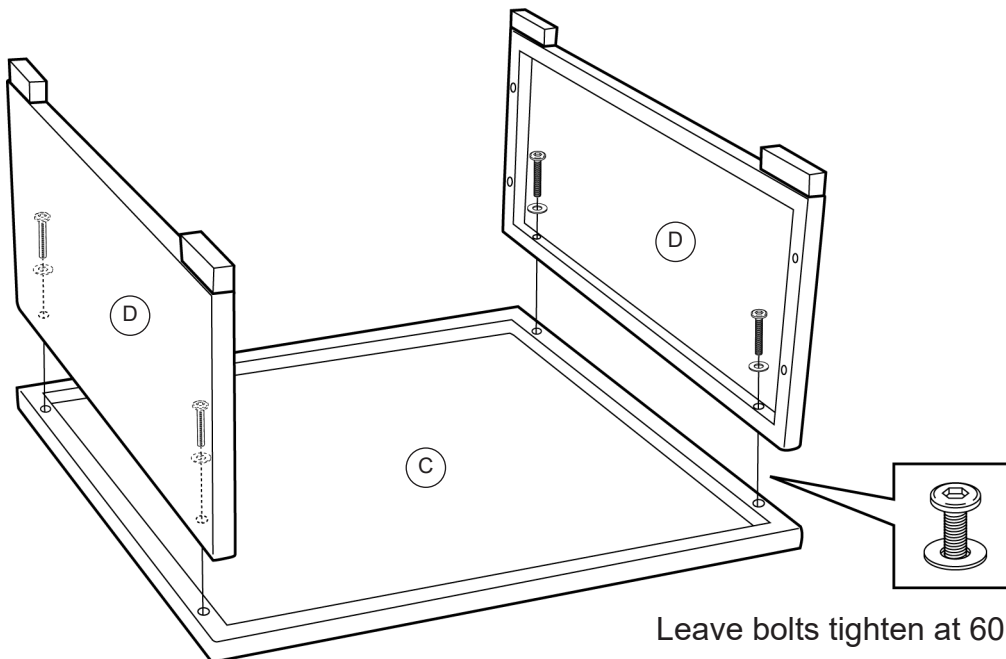


Make sure the unit is leveled on the ground, then tighten all bolt and put on the cushion.

21

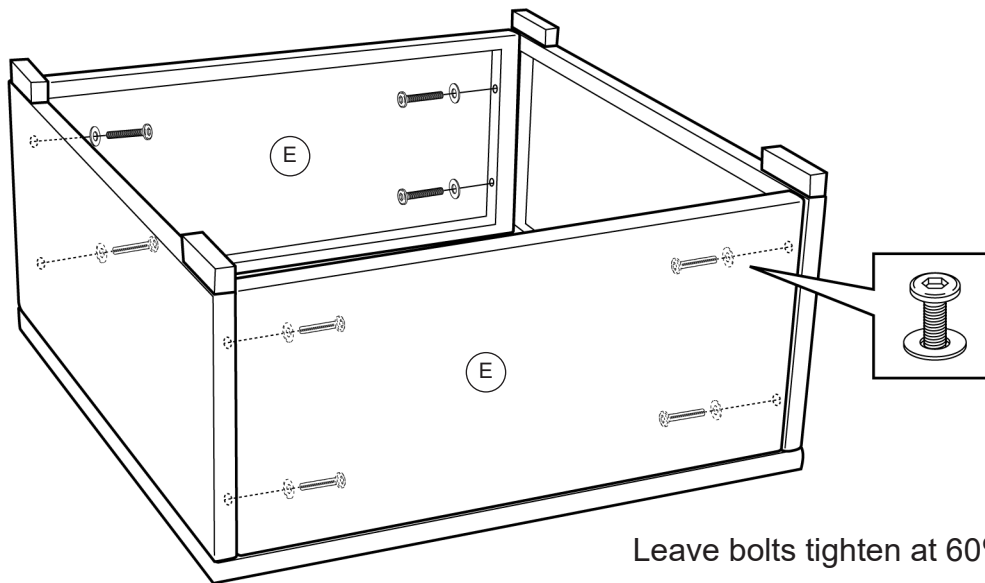


Do not fully tighten the bolts until all parts are assembled.



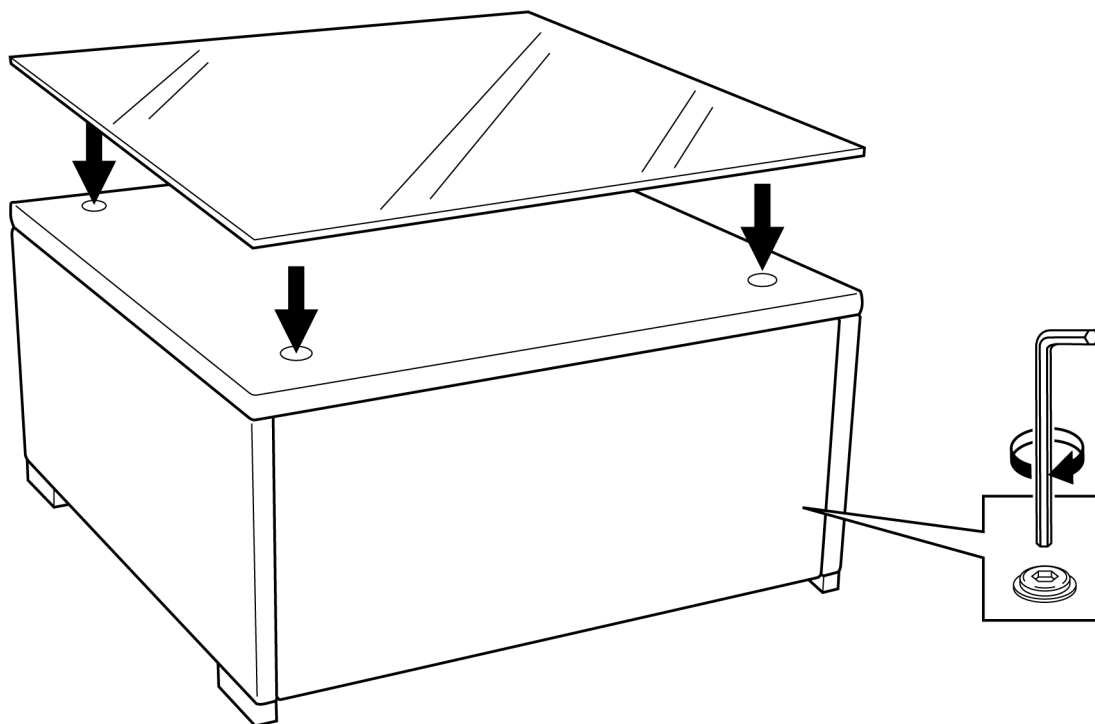
Leave bolts tighten at 60%.

22



Leave bolts tighten at 60%.

23



Make sure the unit is leveled on the ground,
then tighten all bolt and align the table glass to the suction cups,
and put on the glass.

FINISH