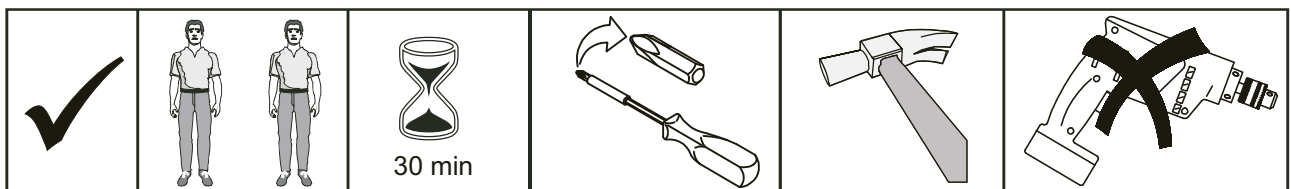
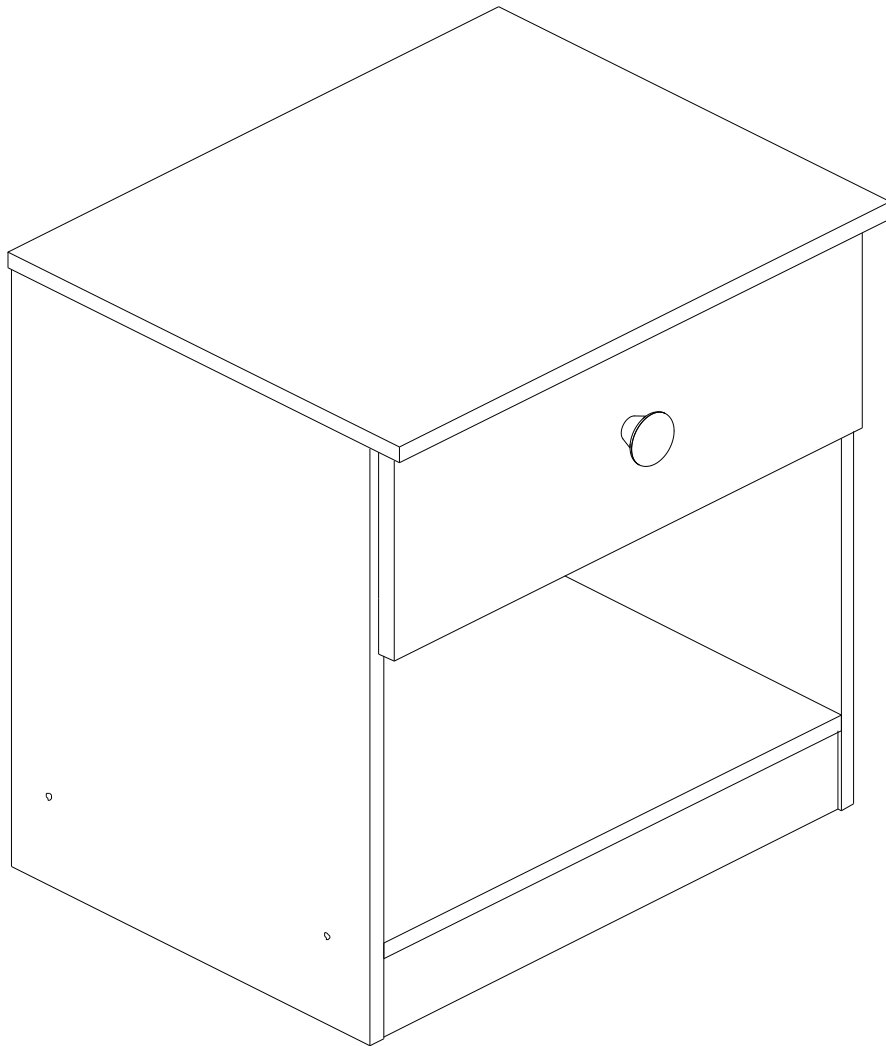
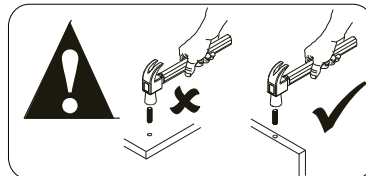
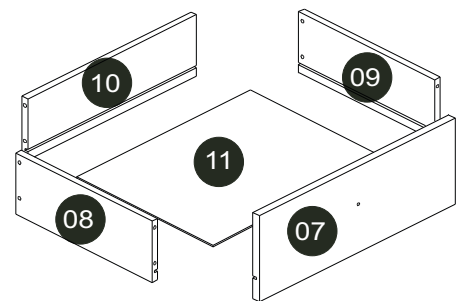
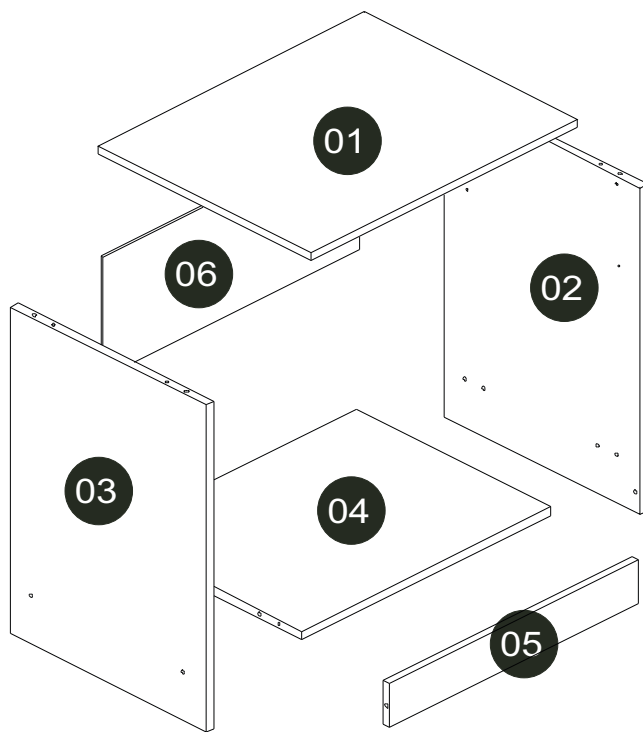
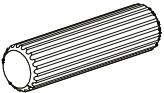
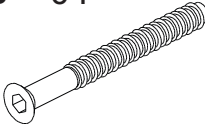
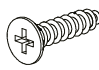
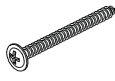
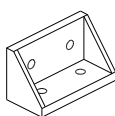
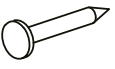
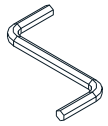
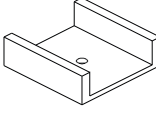
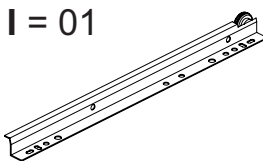
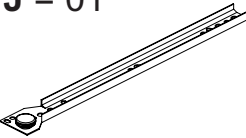
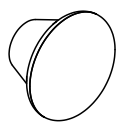

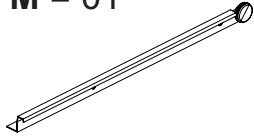
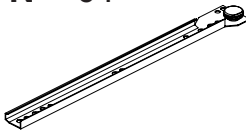





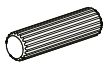
ASSEMBLY INSTRUCTION

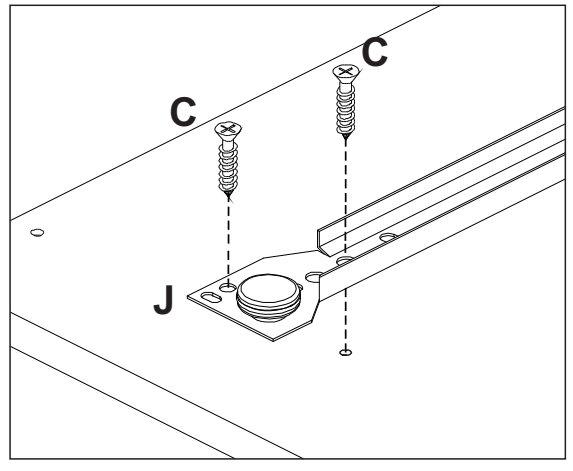
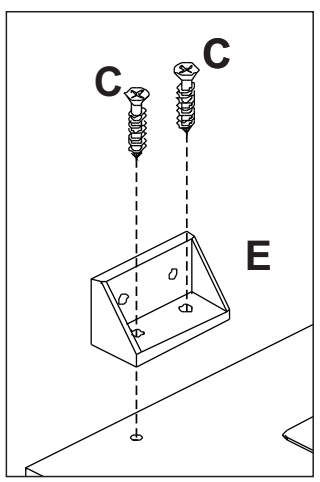
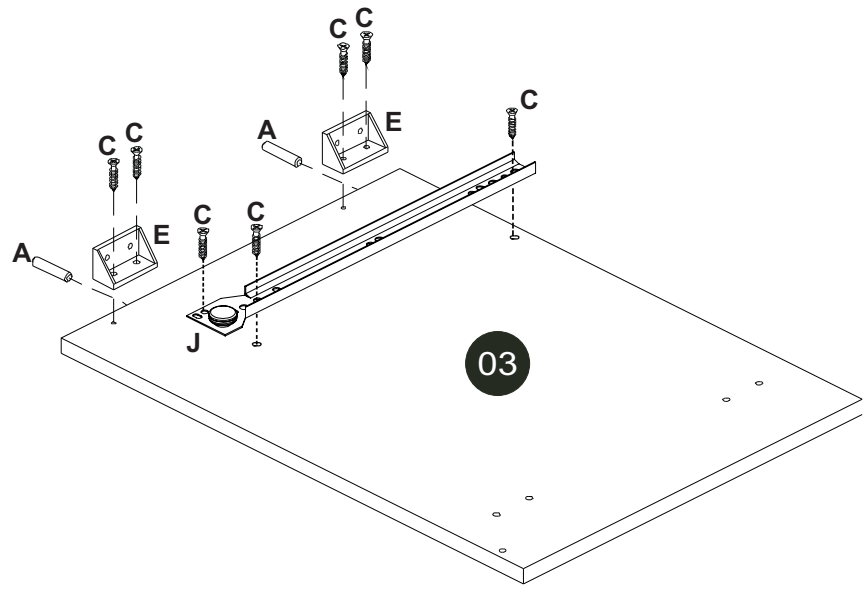







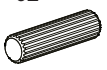
A = 14  6 x 30mm	B = 04  5 x 50mm	C = 42  3,5 x 12mm	D = 01  3,5 x 25mm	E = 08 
F = 17  10 x 18mm	G = 01 	H = 05 	I = 01 	J = 01 
K = 01 	L = 04  3,5 x 40mm	M = 01 	N = 01 	

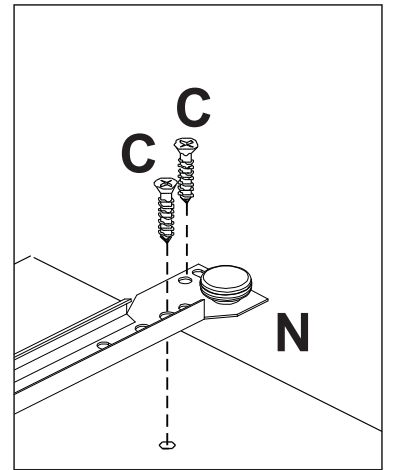
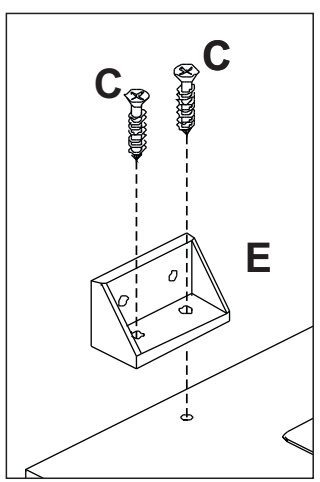
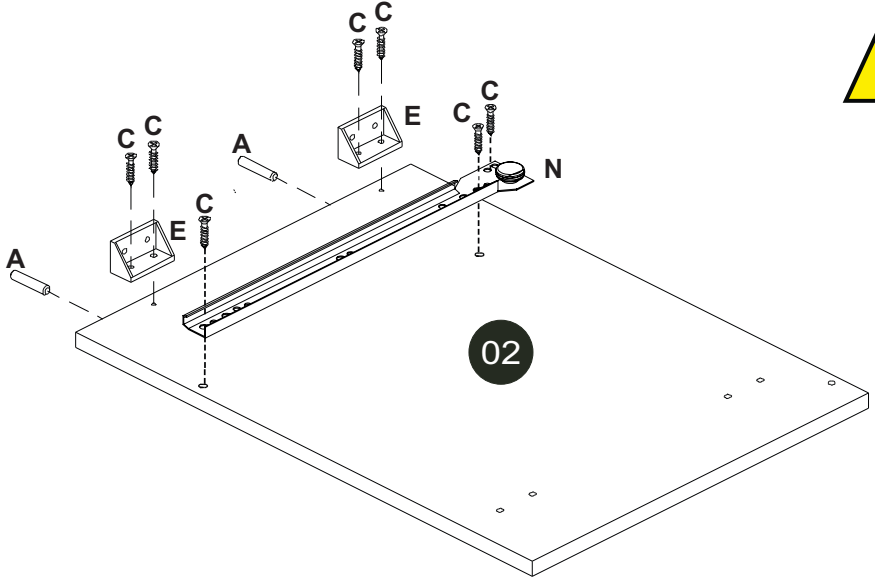
1

C = 07  3,5 x 12mm	E = 02 	J = 04 	A = 02  6 x 30mm
--	--	--	--



2

C = 07  3,5 x 12mm	E = 02 	N = 01 	A = 02  6 x 30mm
--	--	--	--

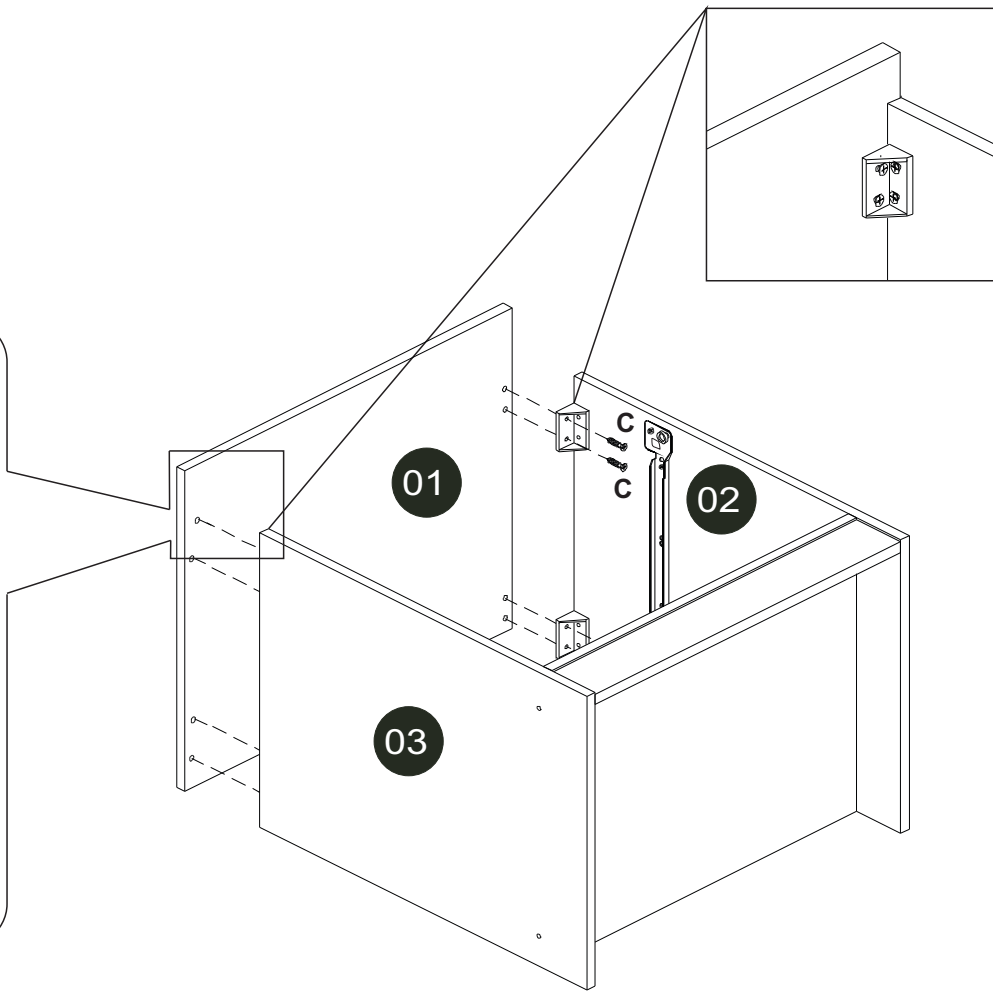
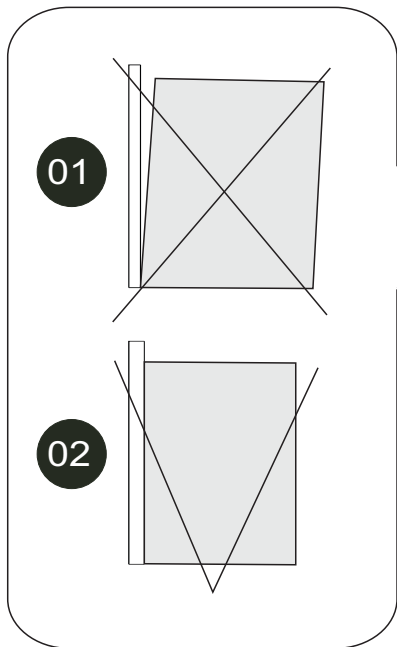


5

C = 8



3,5 x 12mm

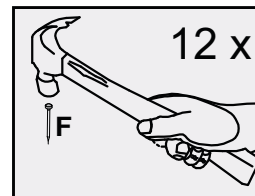
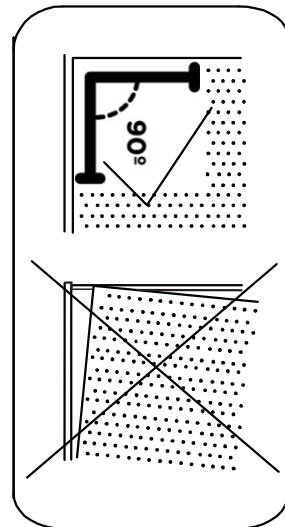
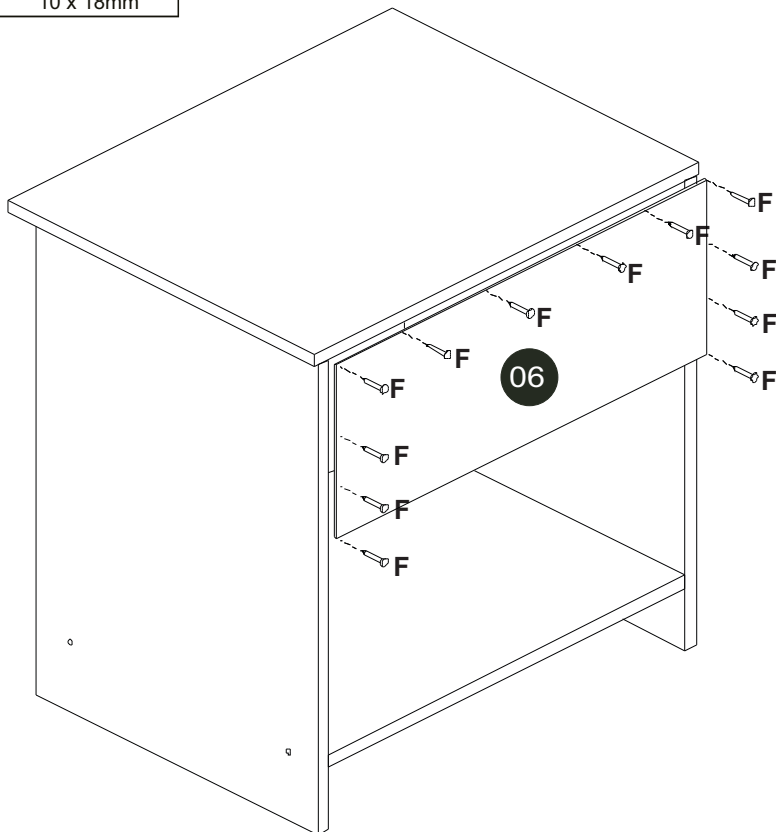


6

F = 12



10 x 18mm



7



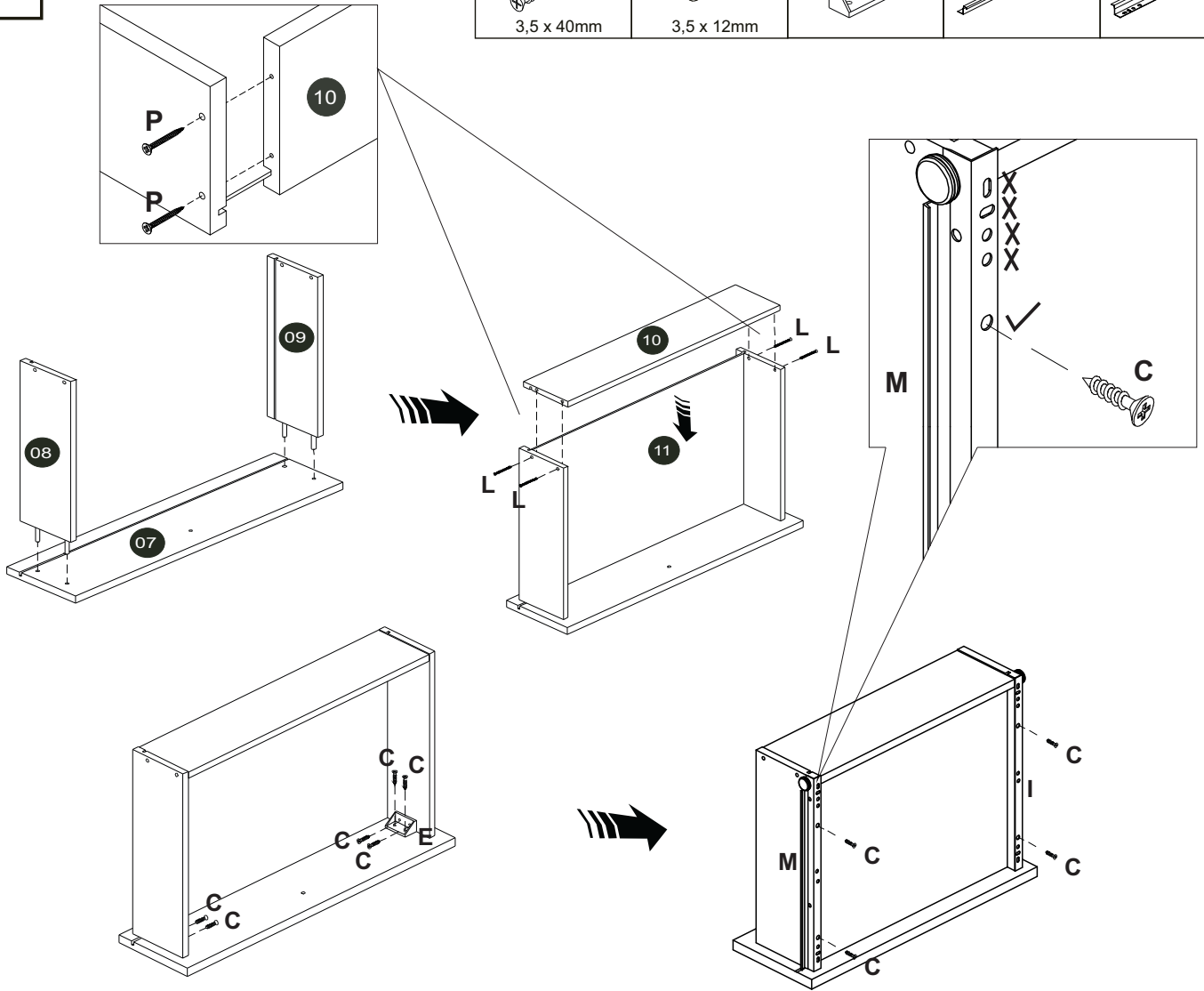
L = 04
3,5 x 40mm

C = 12
3,5 x 12mm

E = 02

M = 01

I = 01



8

D = 01
3,5 x 25mm

K = 01

