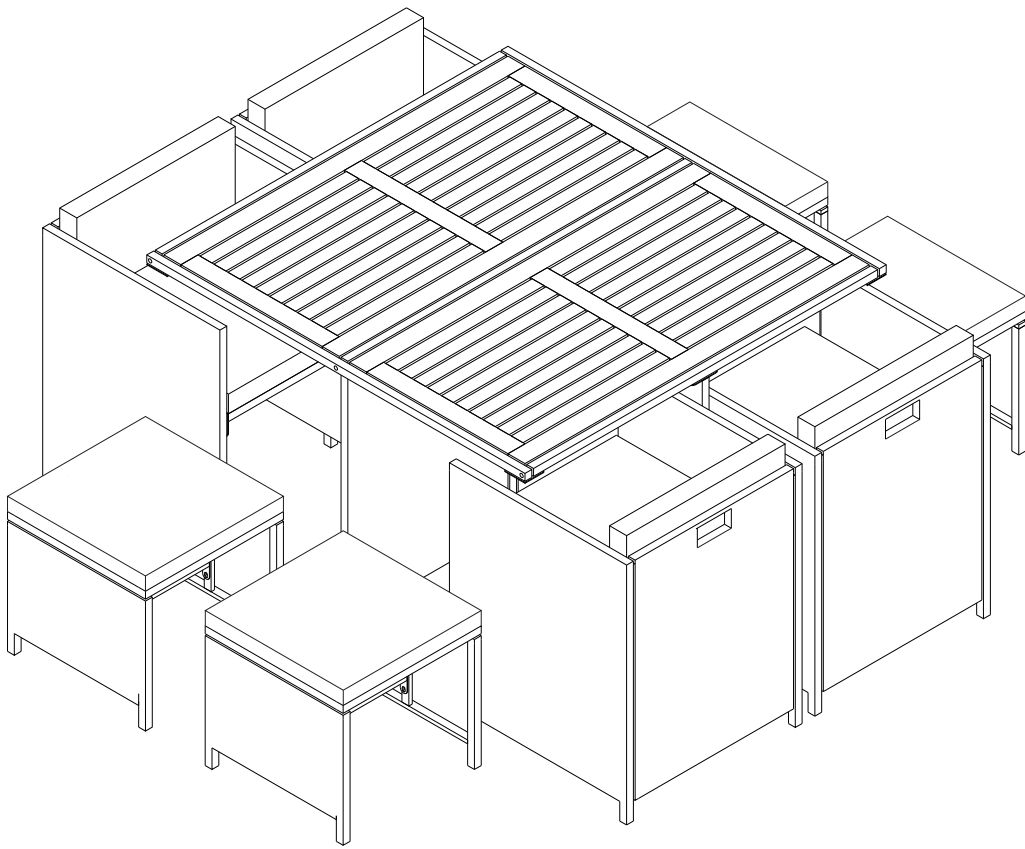
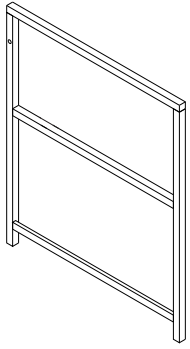


ASSEMBLY INSTRUCTION



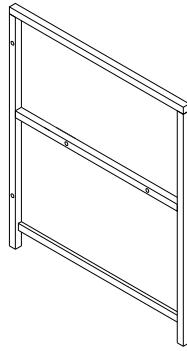
Part list

A



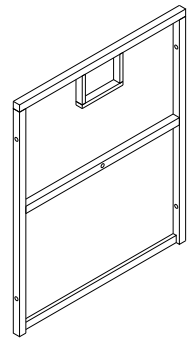
(4 pcs)

B



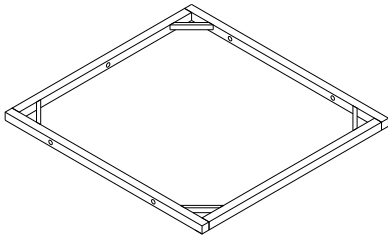
(4 pcs)

C



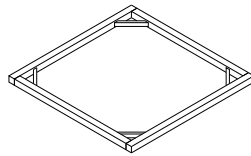
(4 pcs)

D



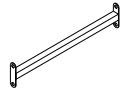
(4 pcs)

E



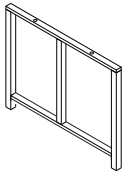
(4 pcs)

F



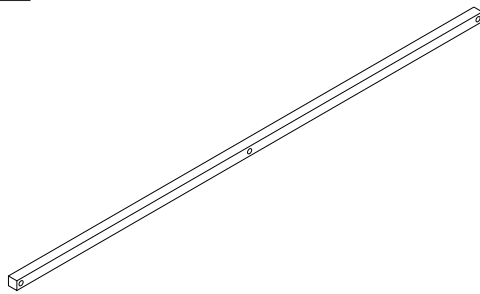
(4 pcs)

G



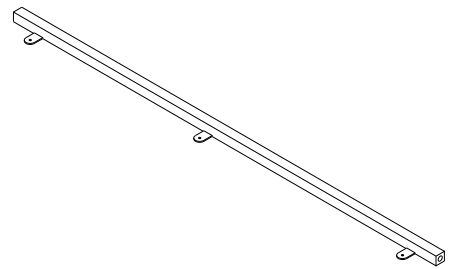
(8 pcs)

H



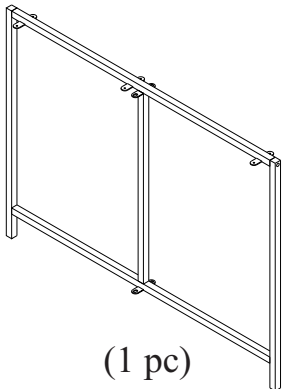
(2 pcs)

I



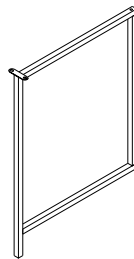
(2 pcs)

J



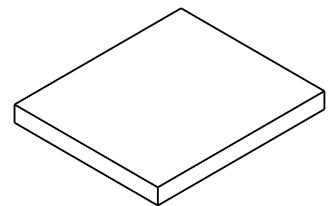
(1 pc)

K



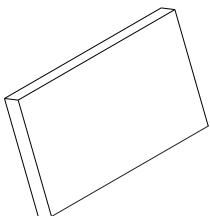
(2 pcs)

L



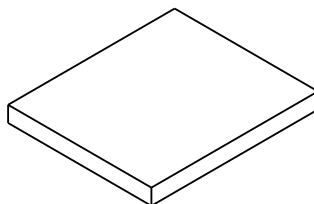
(4 pcs)

M



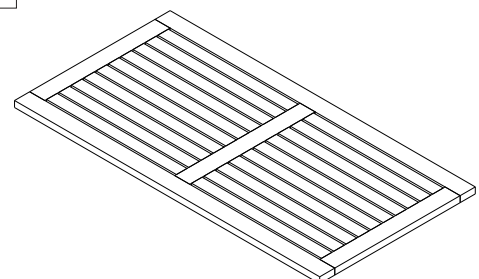
(4 pcs)

N



(4 pcs)

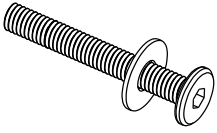
O



(2 pcs)

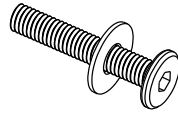
Hardware

1



Bolt M6x40mm (42 pcs)

2



Bolt M6x30mm (16 pcs)

3



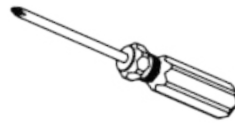
Bolt M6x15mm (36 pcs)

4



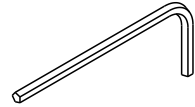
Vis 4x15mm (12 pcs)

5



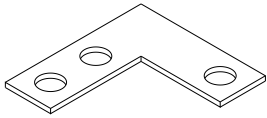
(1 pc)

6



(1 pc)

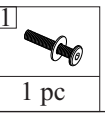
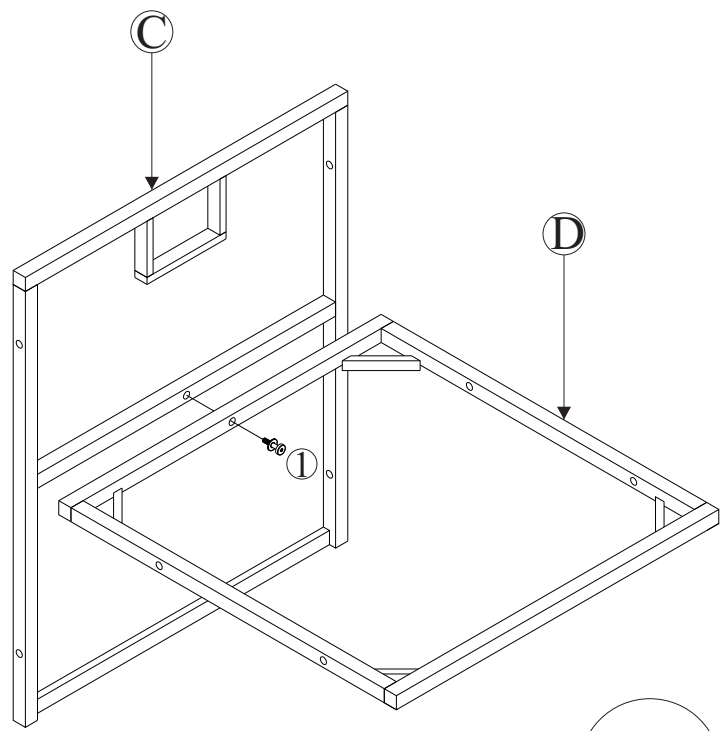
7



(4 pcs)

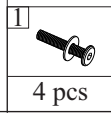
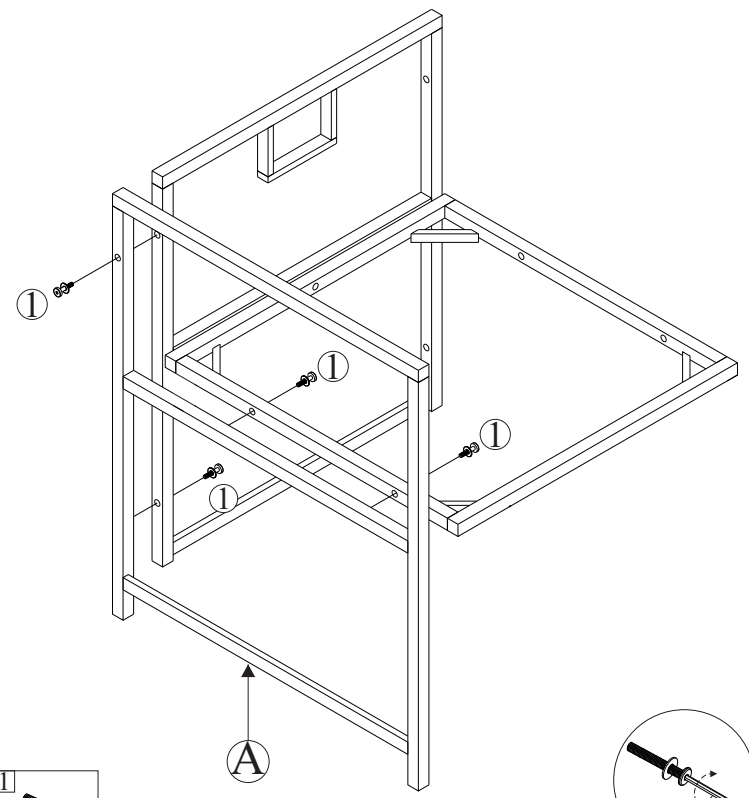
STEP 1

x4



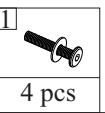
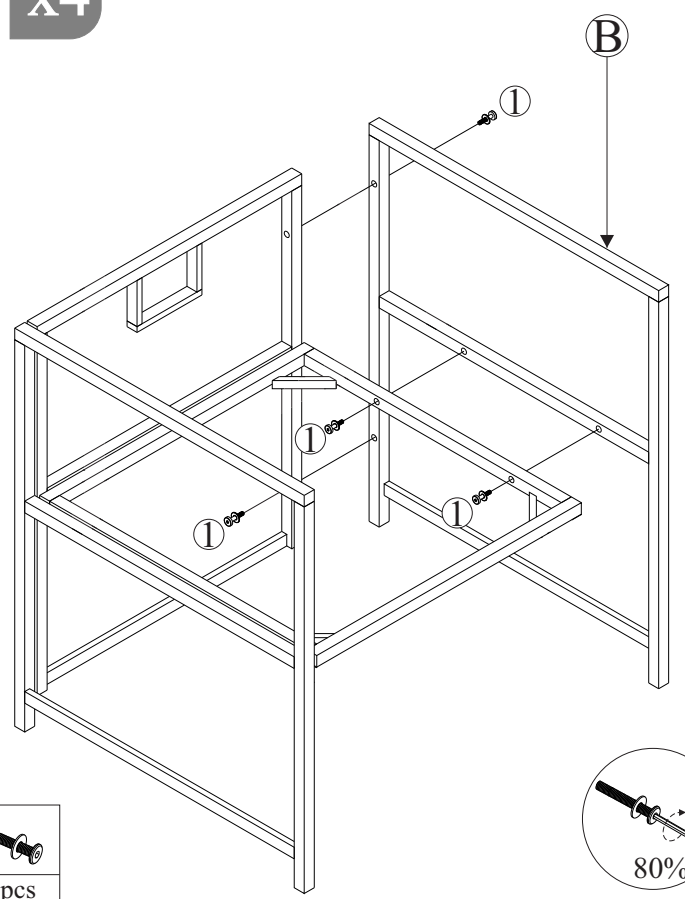
STEP 2

x4



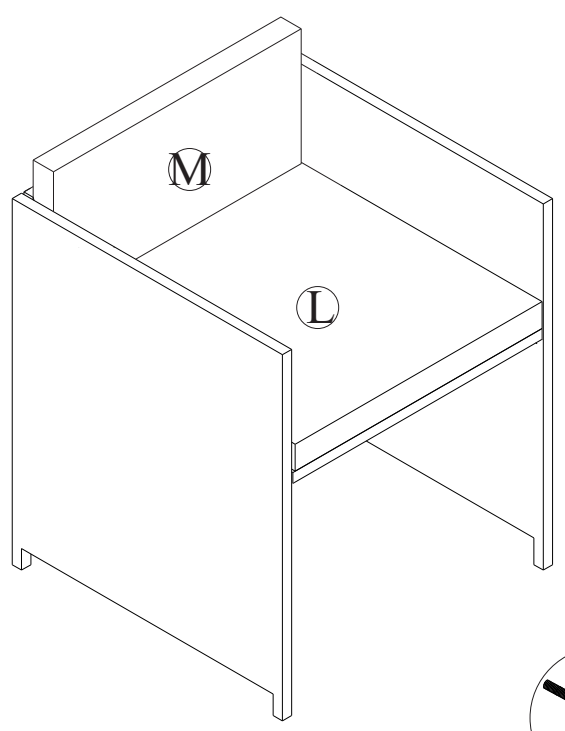
STEP 3

x4



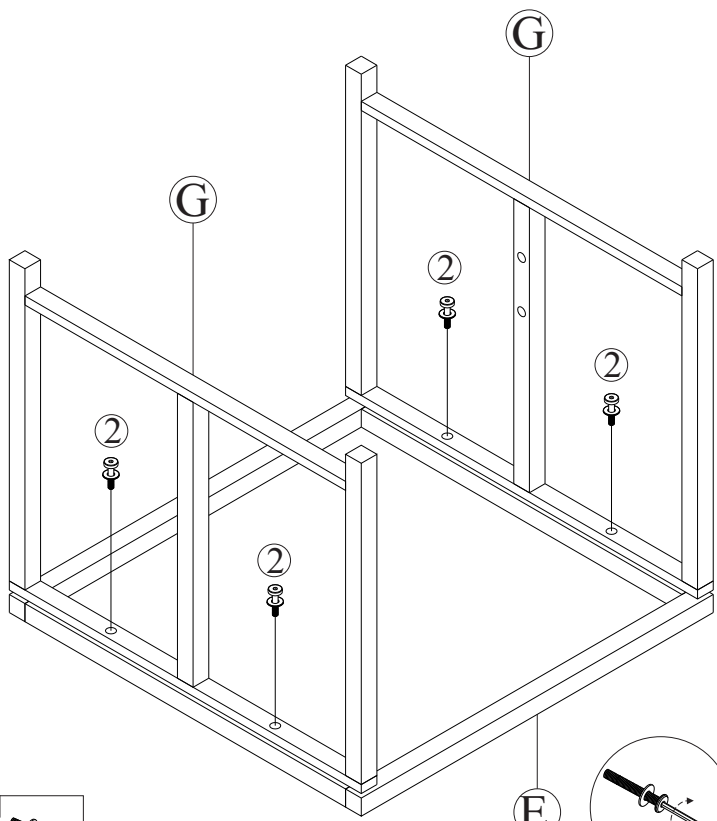
STEP 4

x4

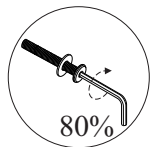


STEP 5

x4

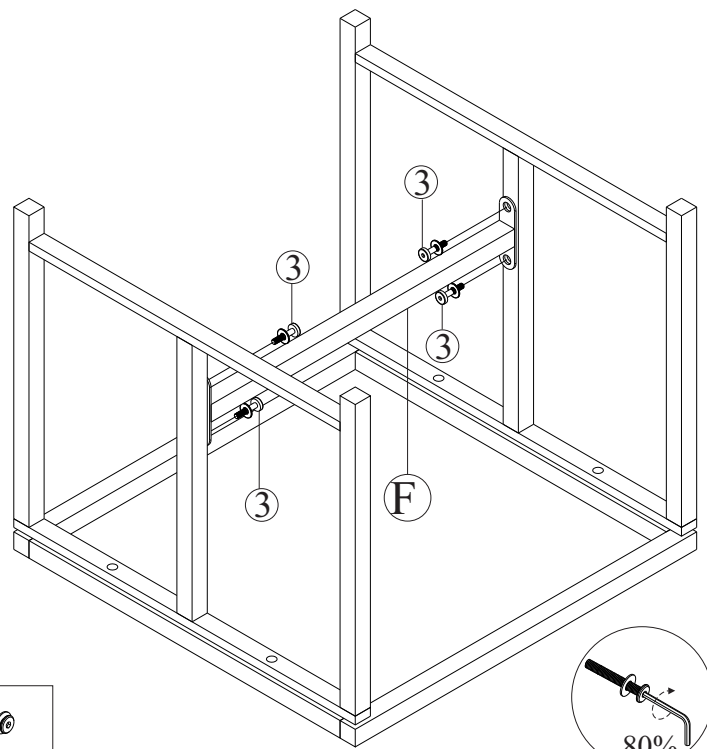


2
4 pcs

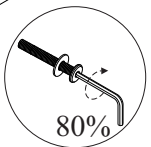


STEP 6

x4

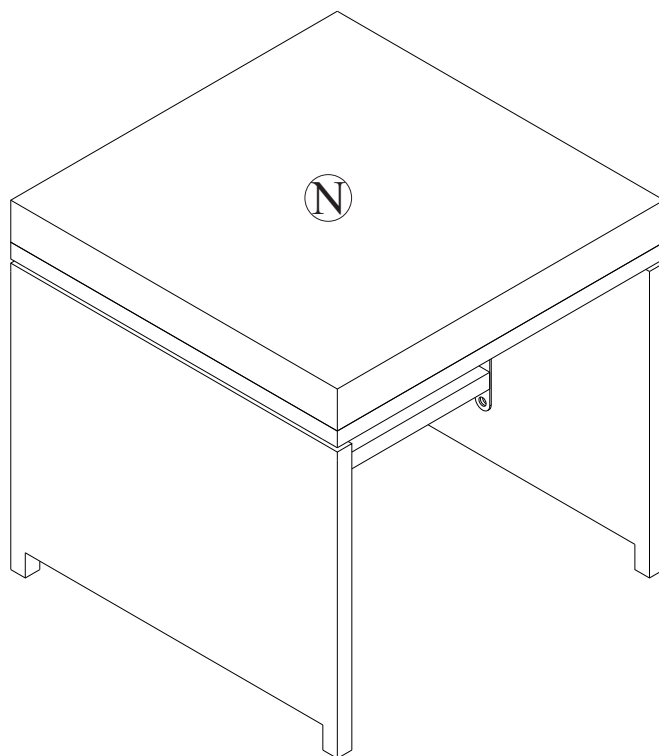


3
4 pcs

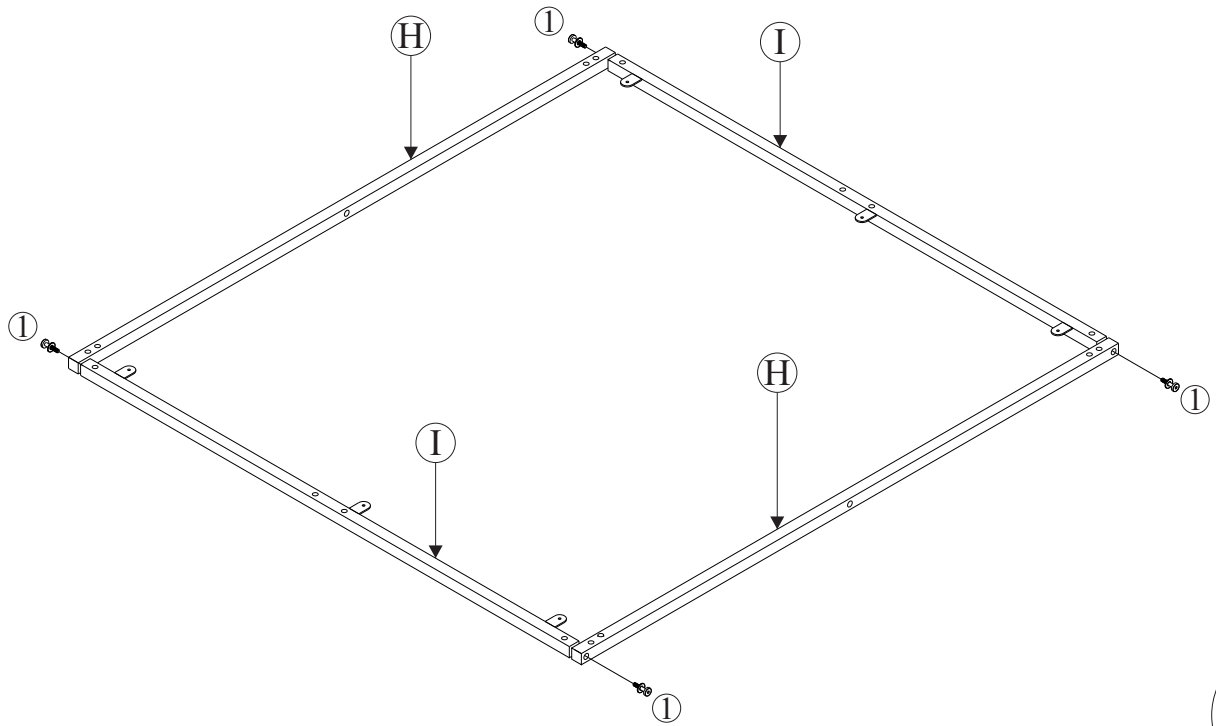


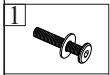
STEP 7

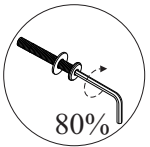
x4



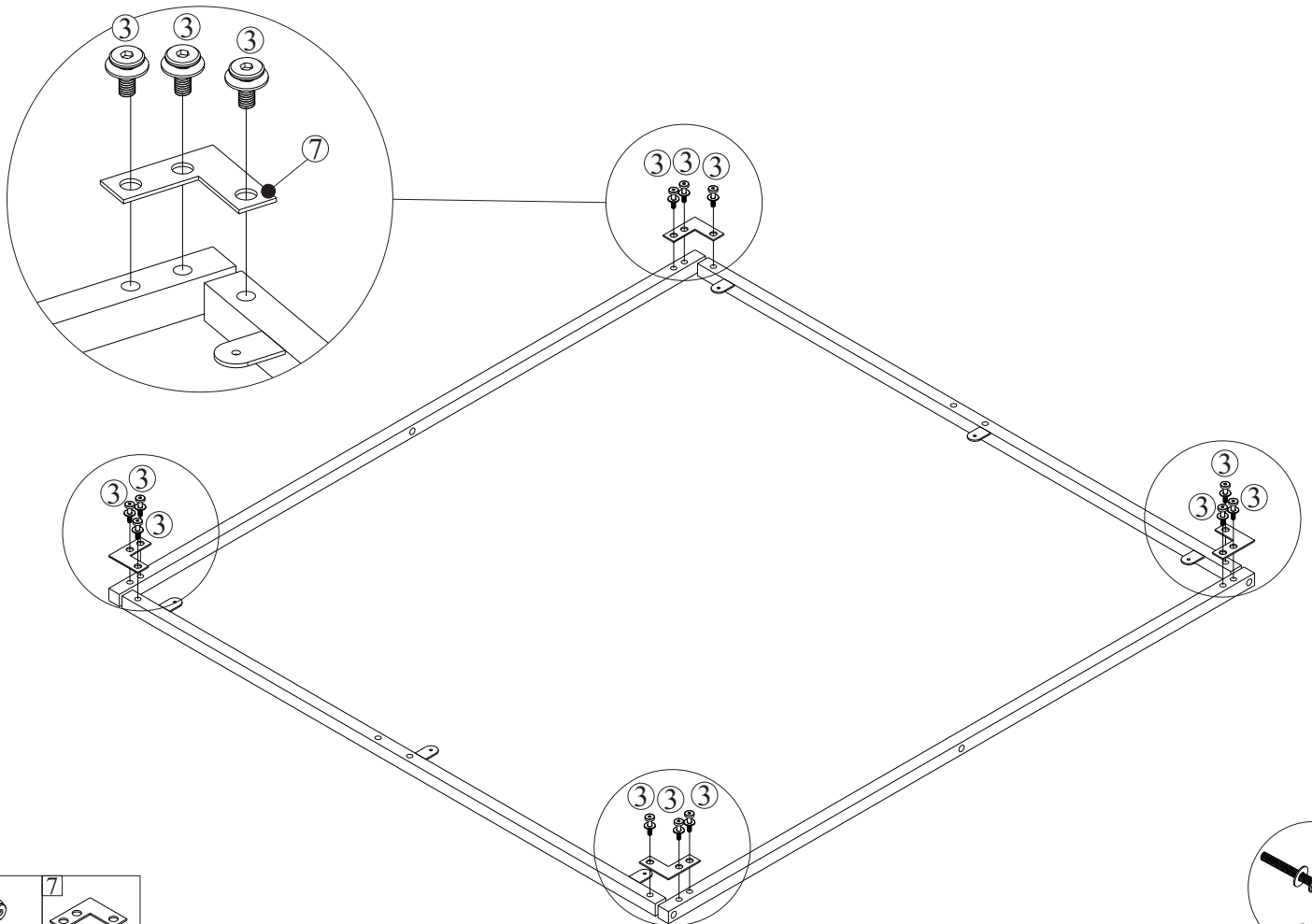
STEP 8

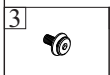
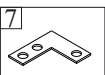


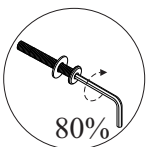

4 pcs



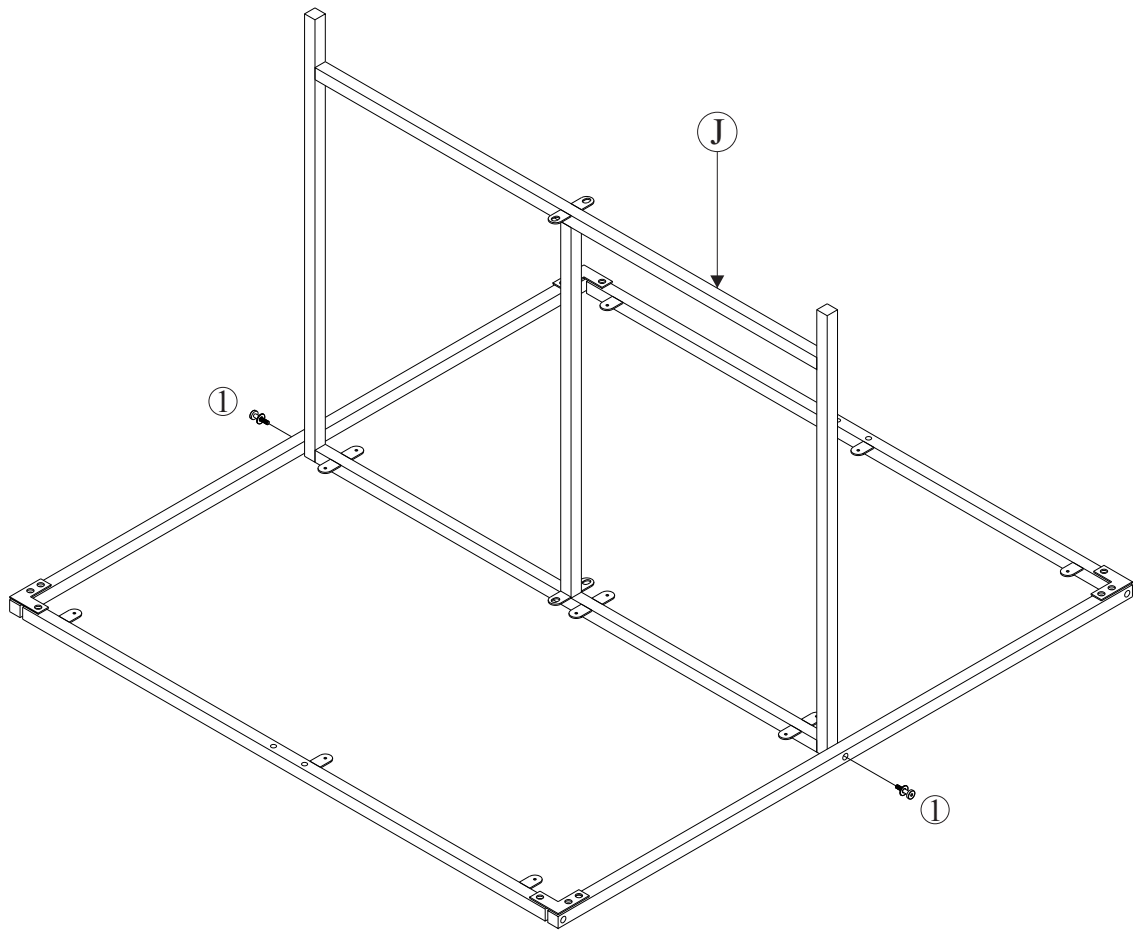
STEP 9




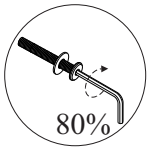
	
12 pcs	4 pcs



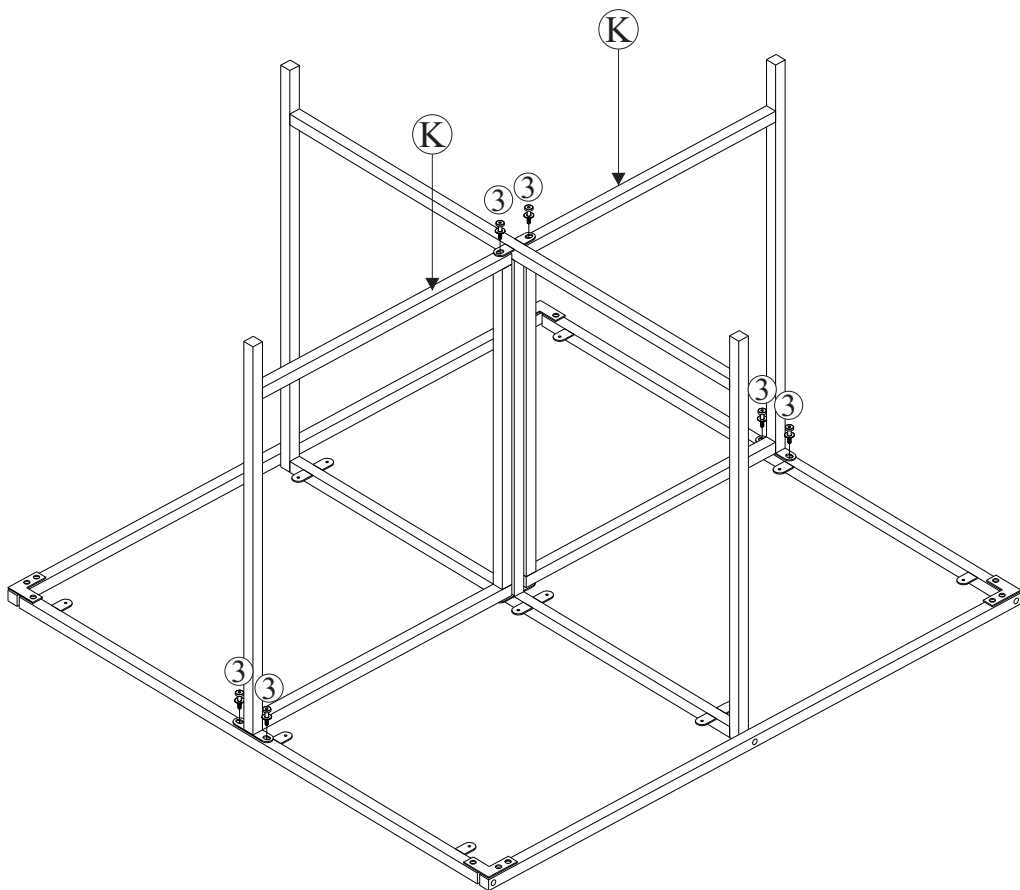
STEP 10




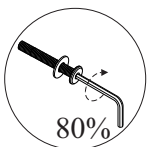
1	
2 pcs	



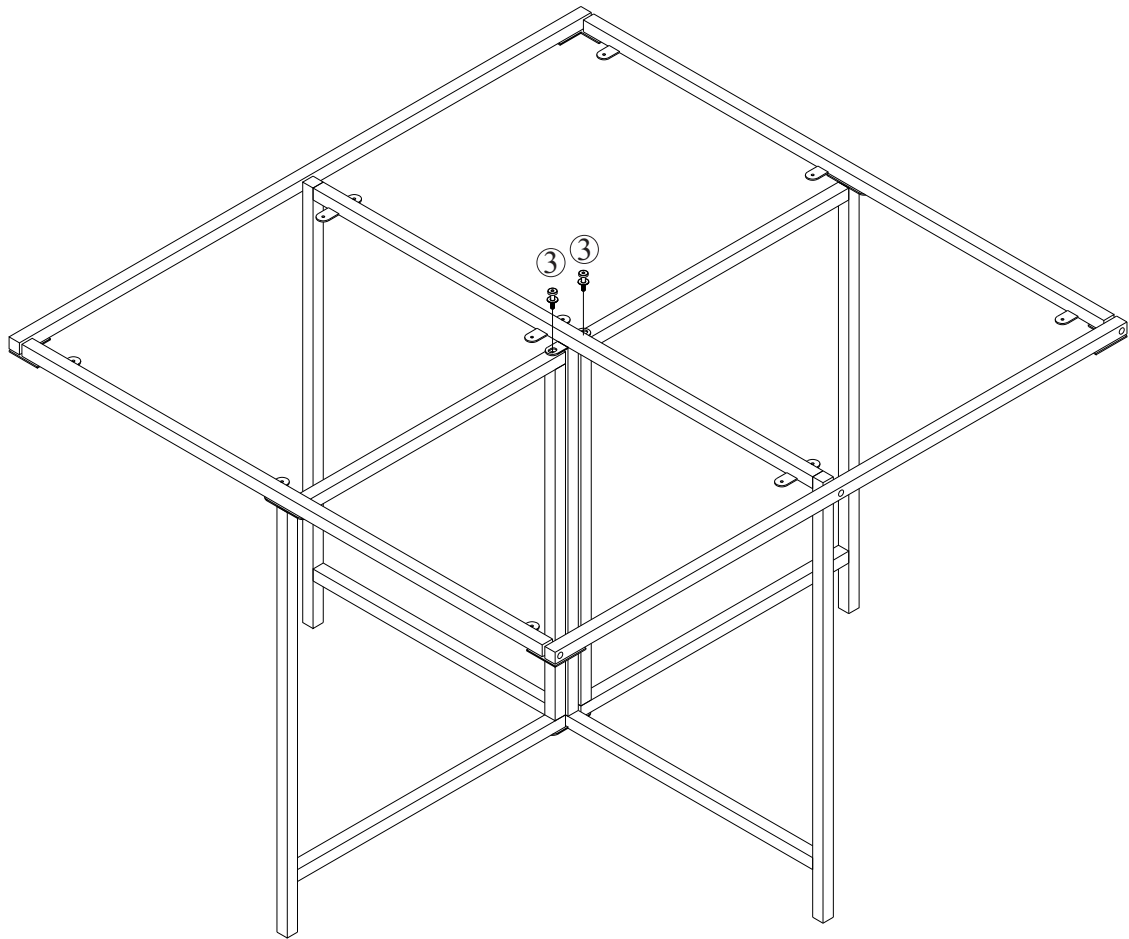
STEP 11



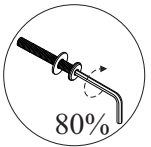
3	
6 pcs	



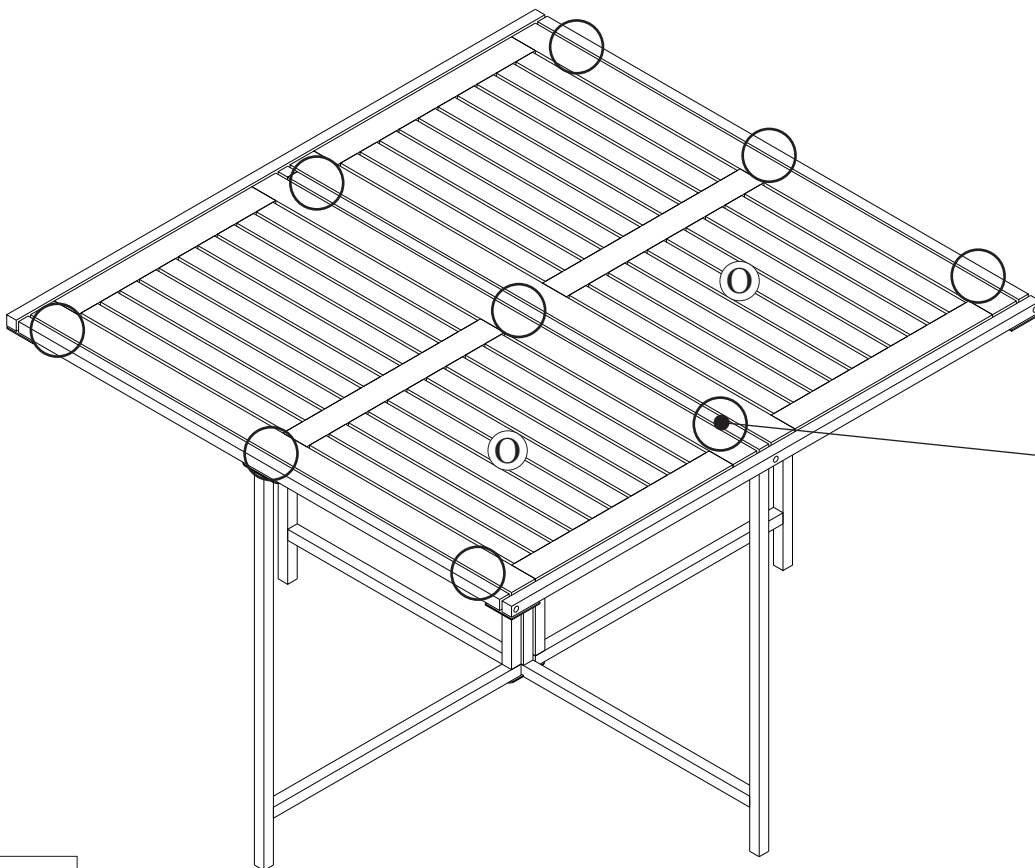
STEP 12



3
2 pcs



STEP 13



4
12 pcs

