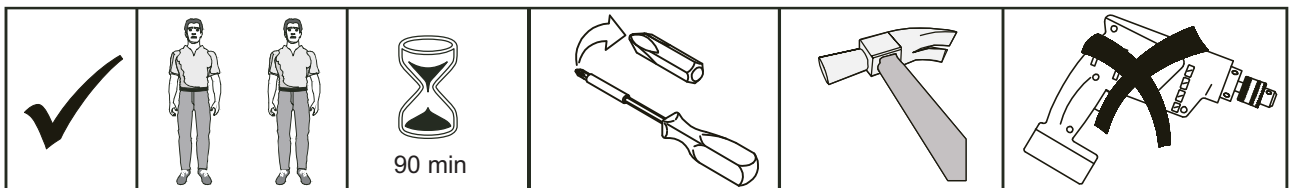
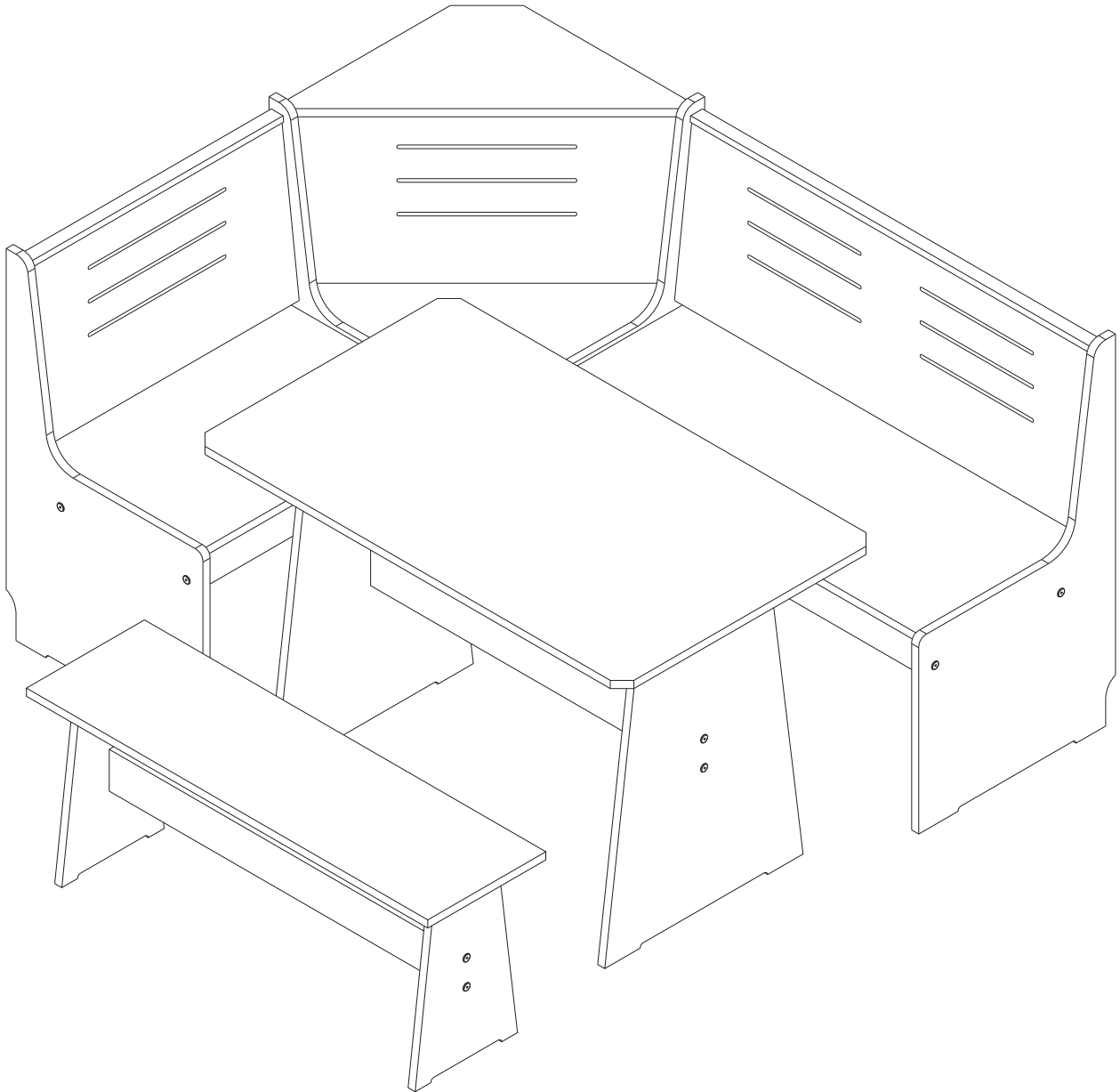
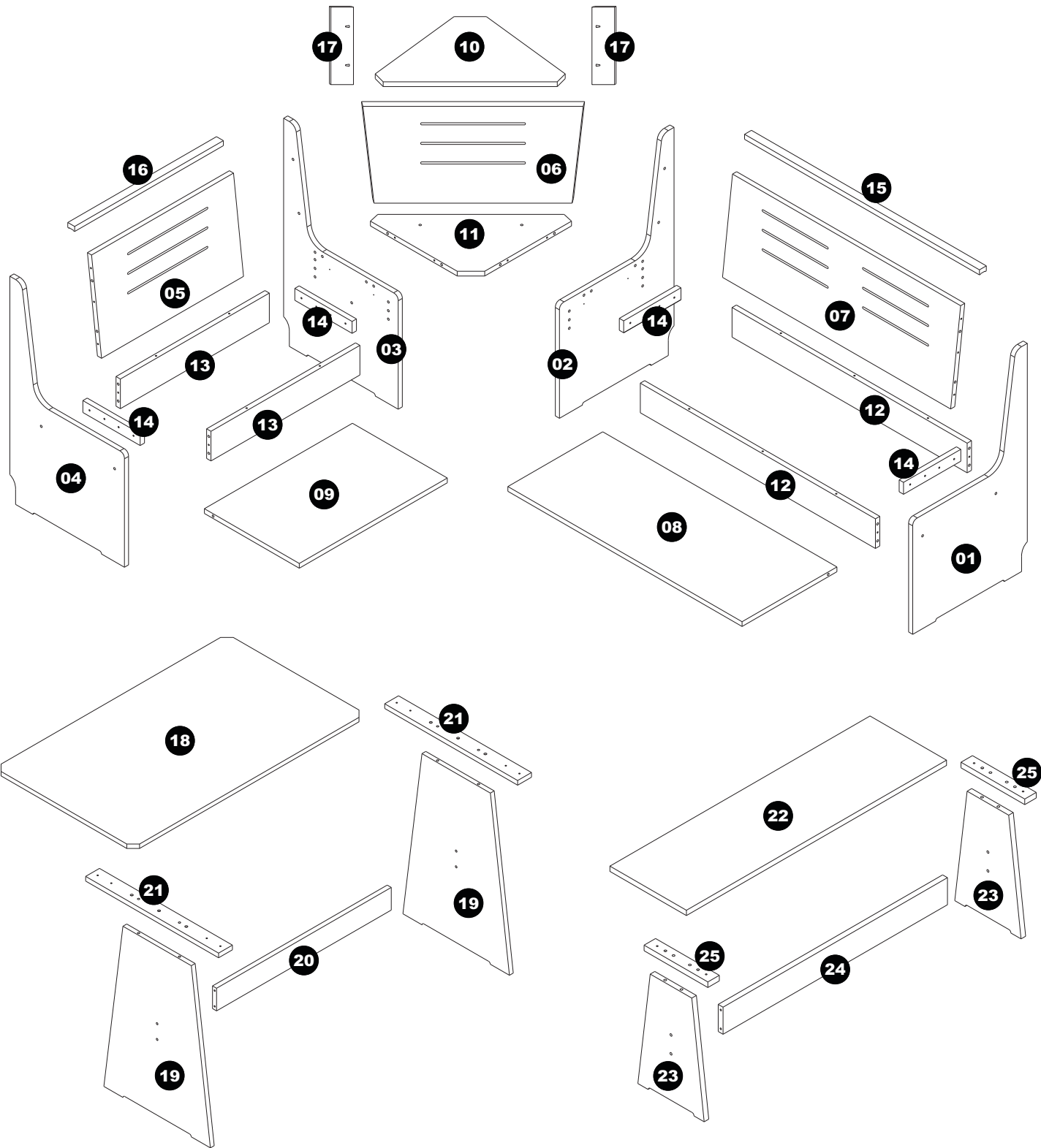


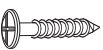

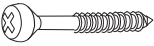
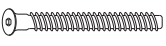
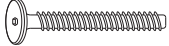

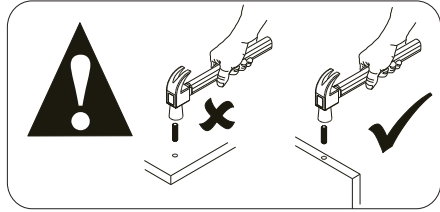


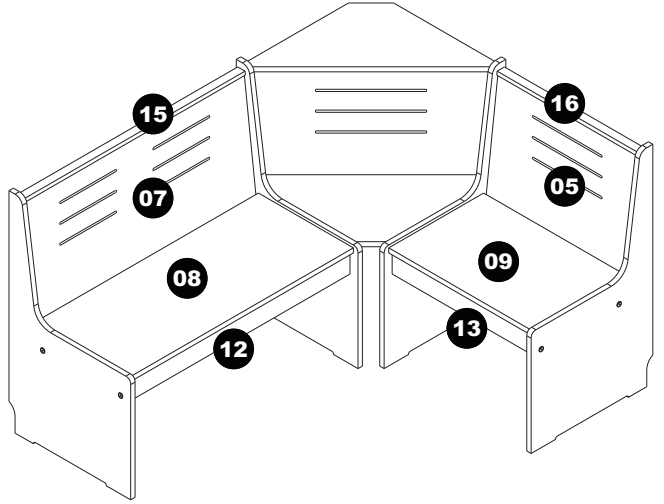
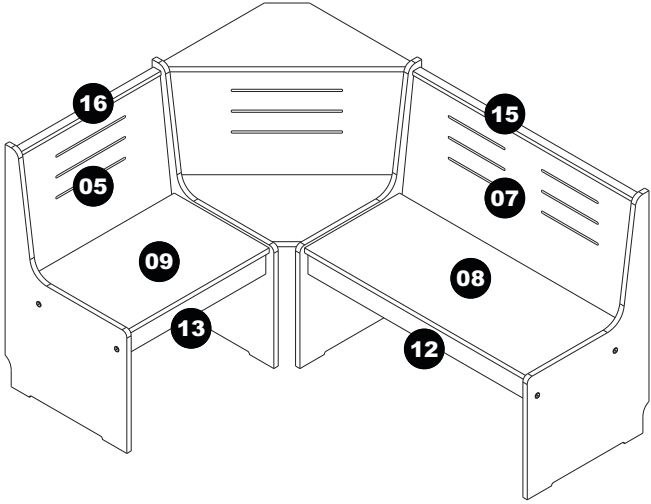
# ASSEMBLY INSTRUCTION



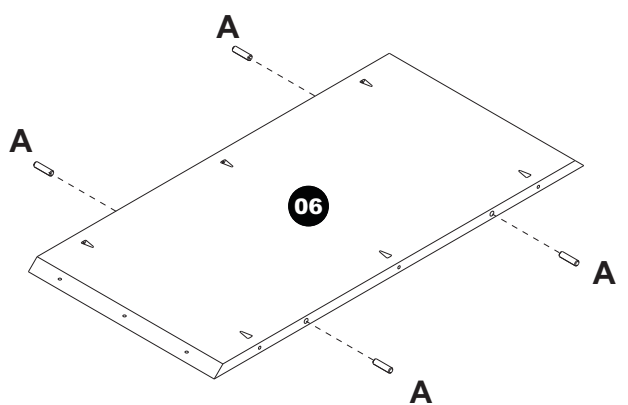
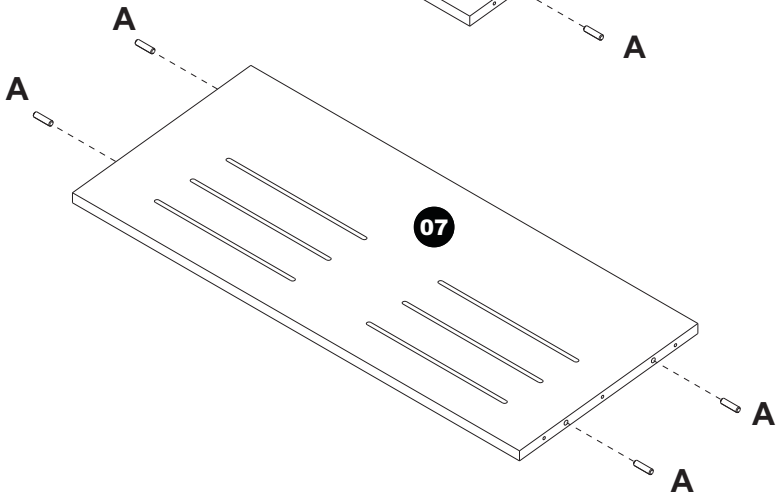
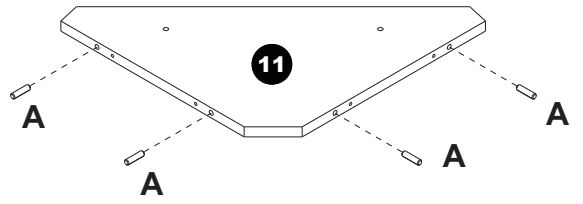
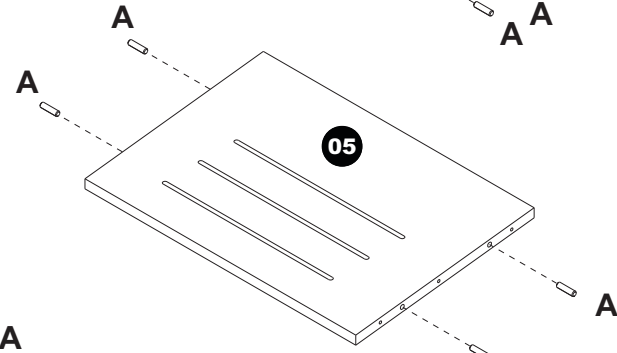
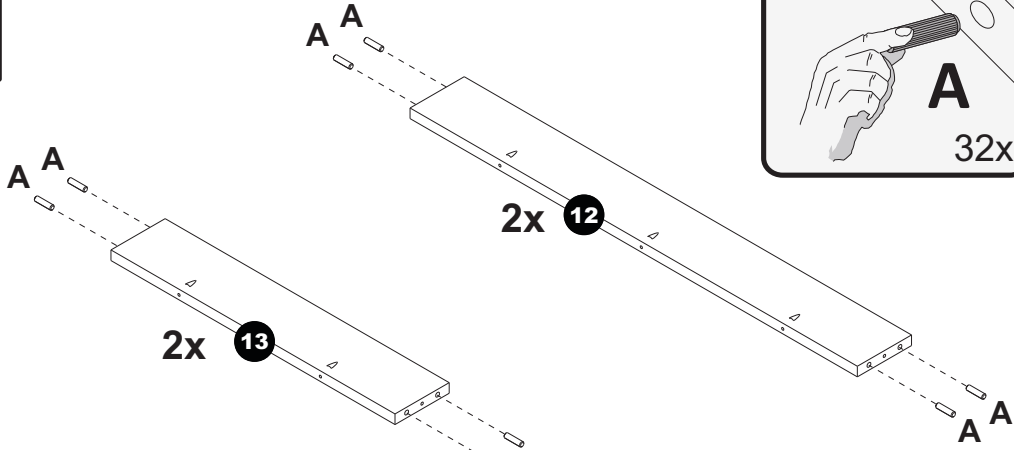
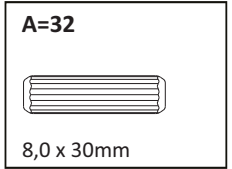
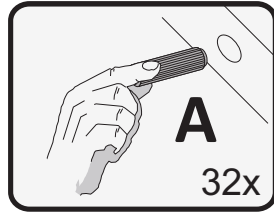


<b>A=32</b>  8,0 x 30mm	<b>B=08</b>  8,0 x 50mm	<b>C=06</b>  4,0 x 25mm	<b>D=35</b>  4,0 x 30mm
<b>E=44</b>  4,0 x 35mm	<b>F=04</b>  7,0 x 50mm	<b>G=16</b>  7,0 x 50mm	<b>H=01</b> 

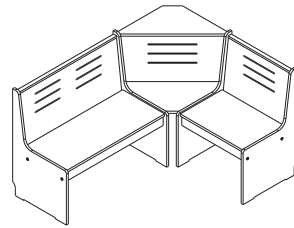
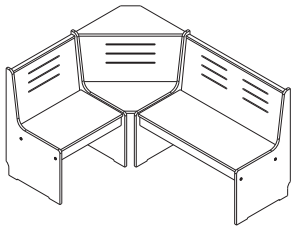
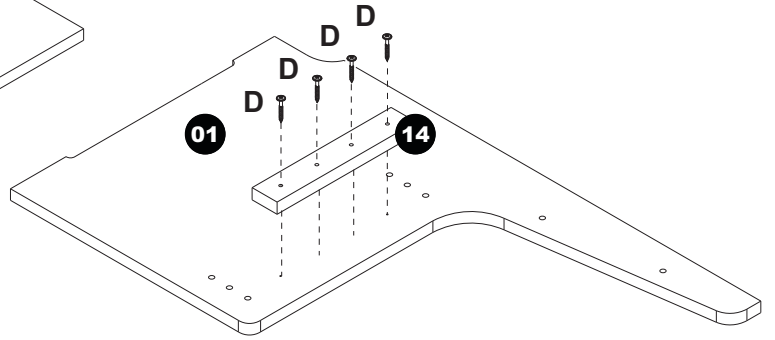
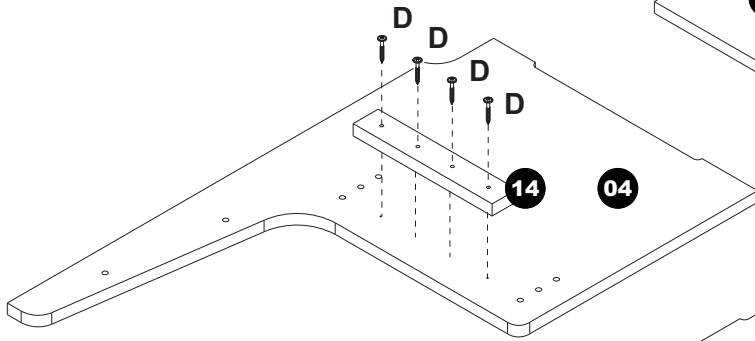
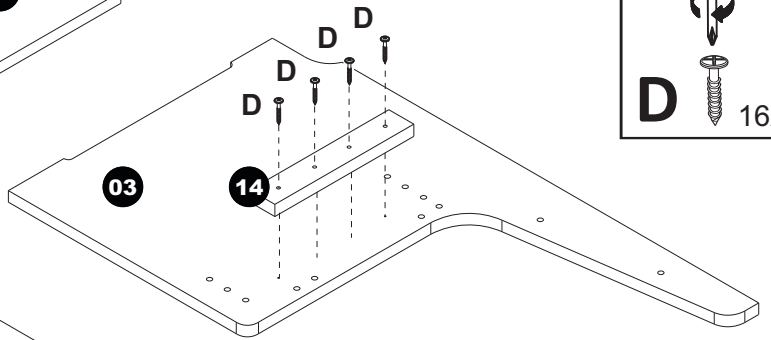
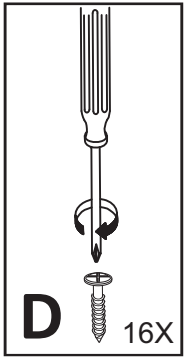
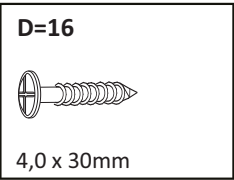
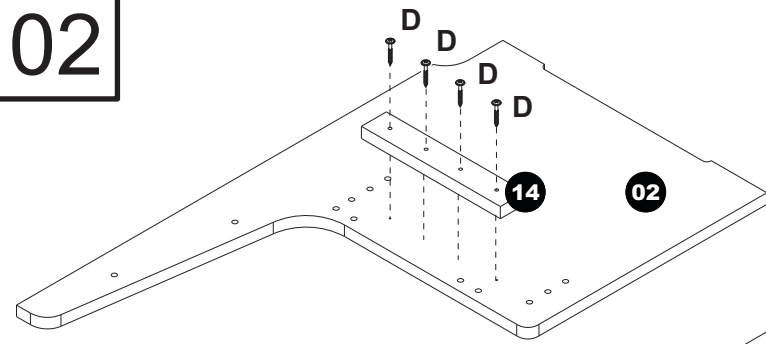




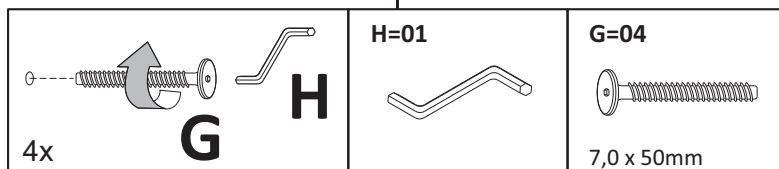
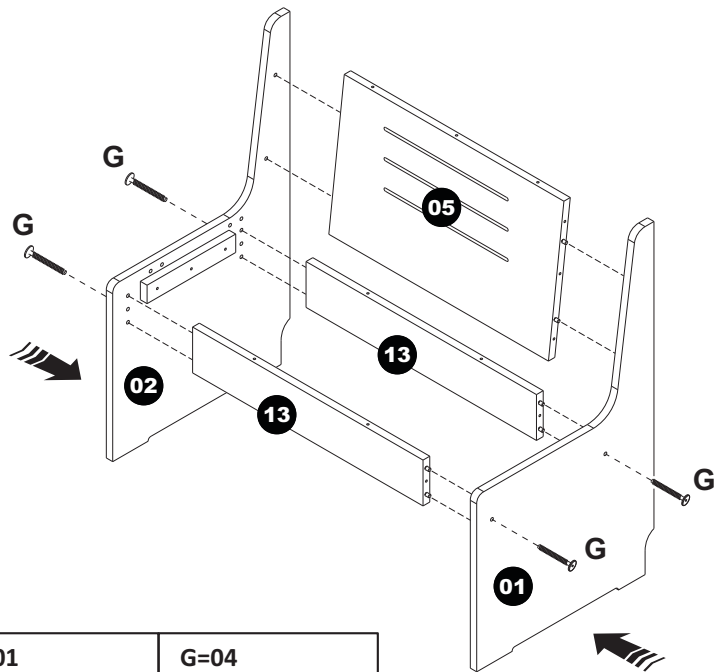
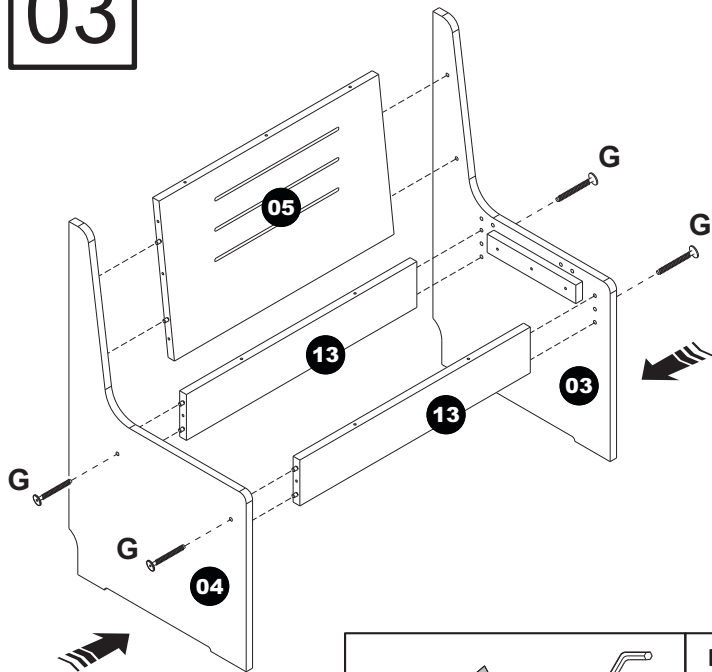
01



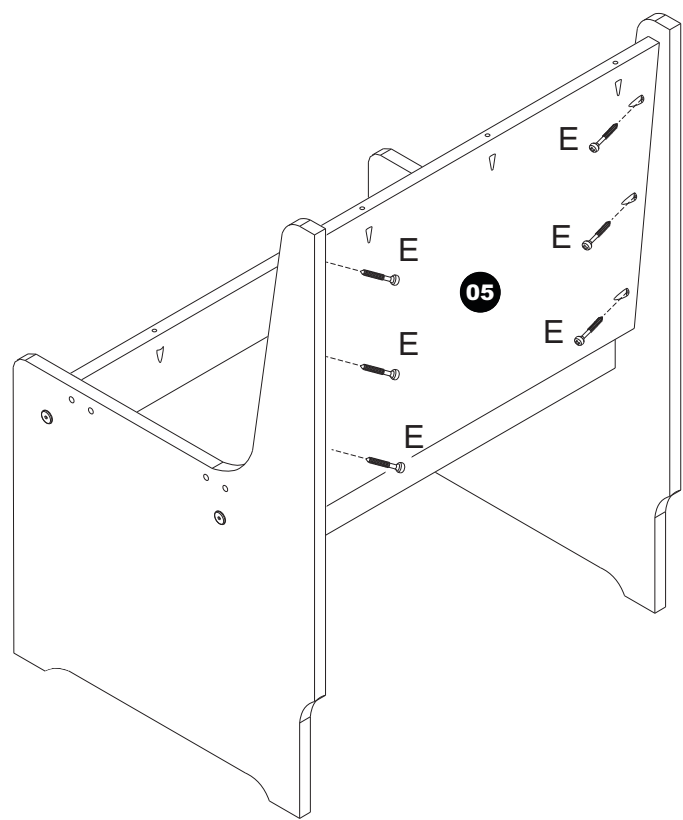
02



03

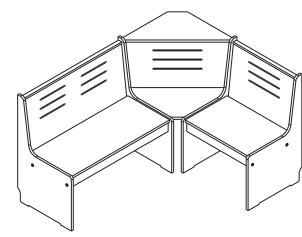
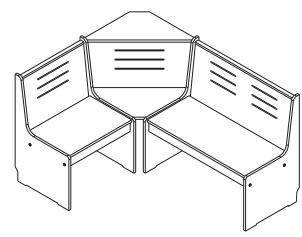
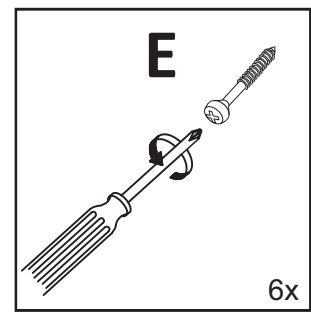


04



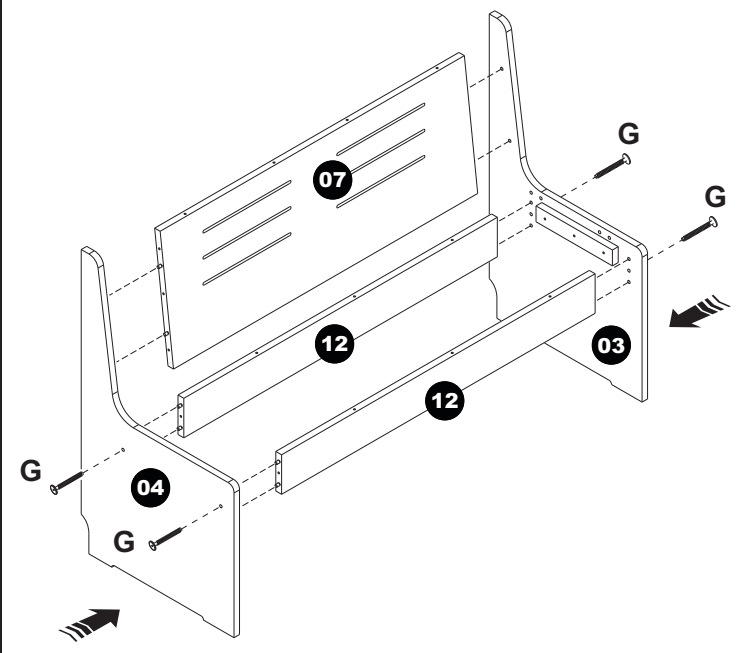
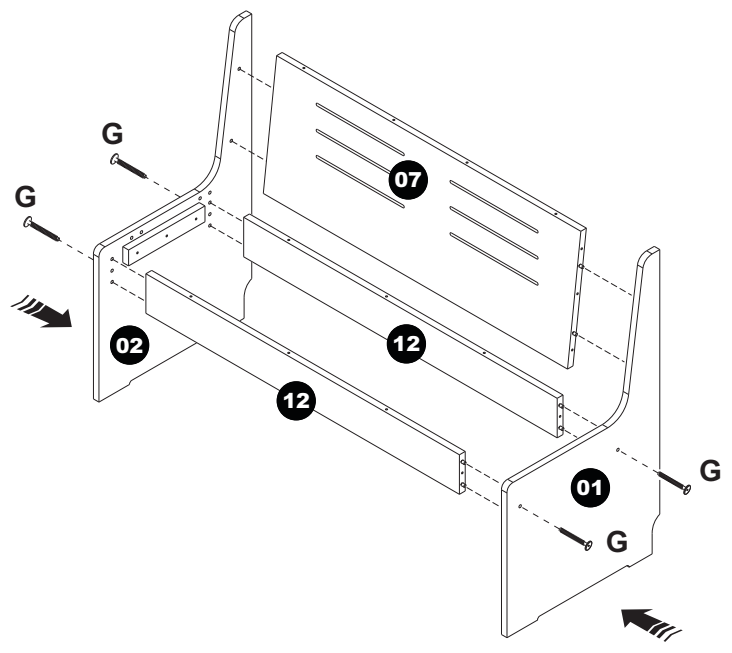
E=06

4,0 x 35mm



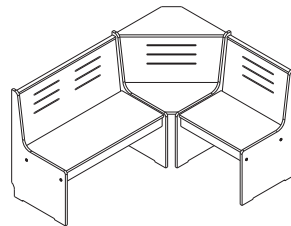
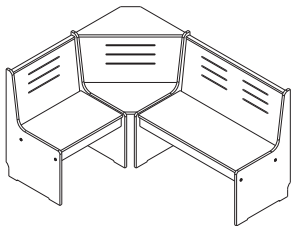
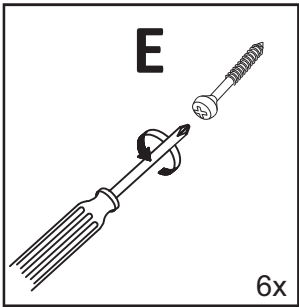
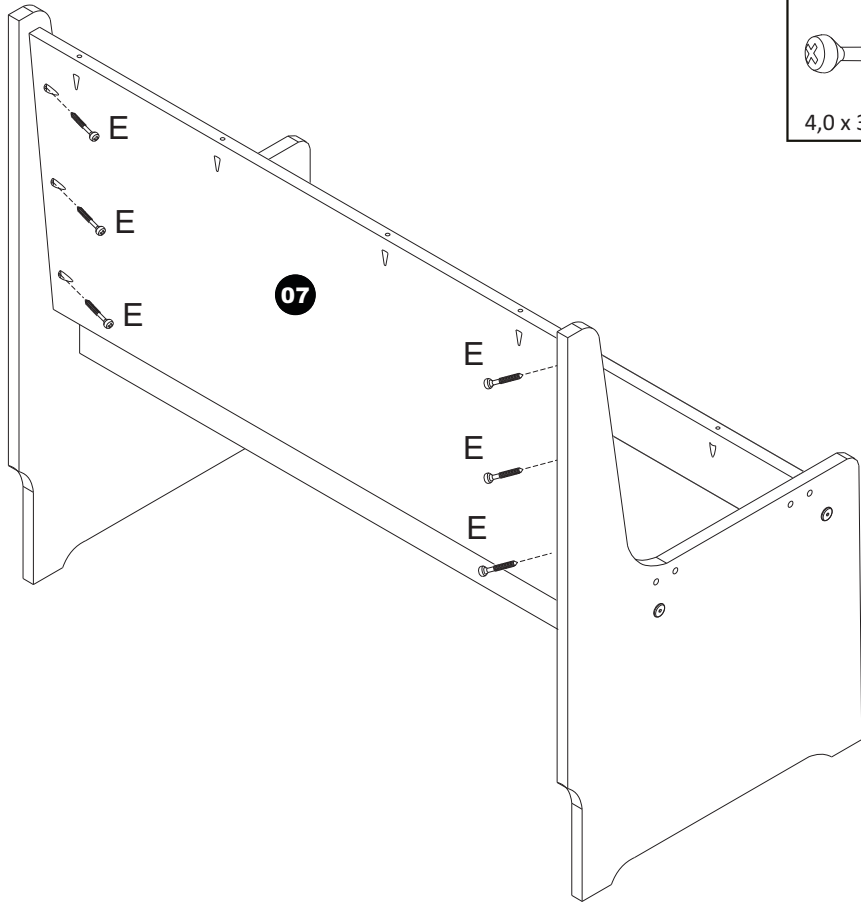
05

<p>4x</p> <p>G</p>	<p>H=01</p> <p>H</p>	<p>G=04</p> <p>7,0 x 50mm</p>
--------------------	----------------------	-------------------------------



06

E=06  
4,0 x 35mm

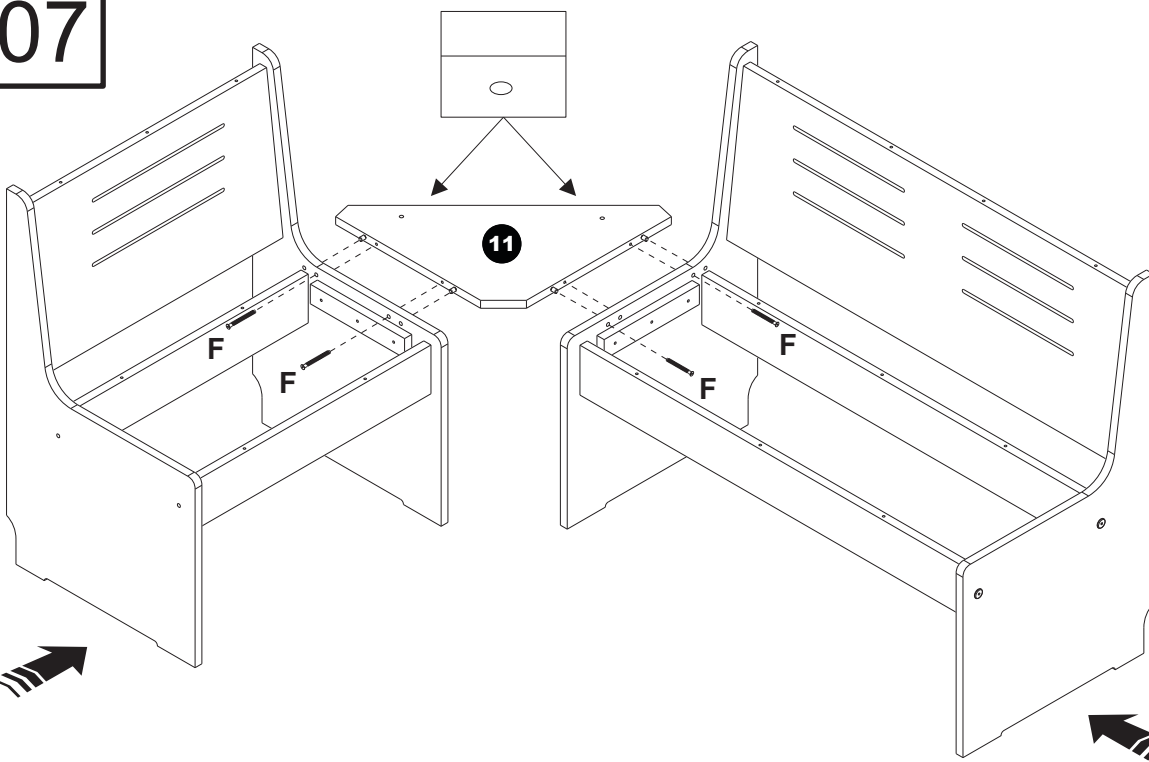


07

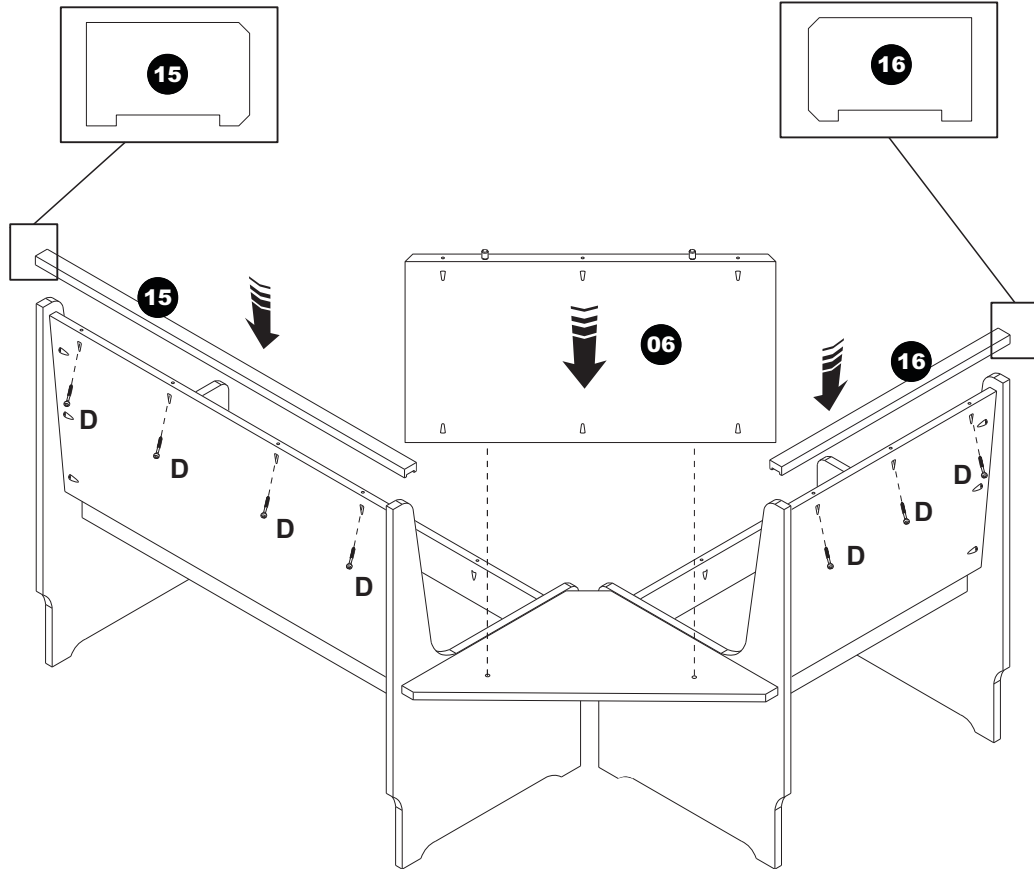
F=04  
7,0 x 50mm

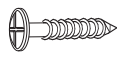
H=01

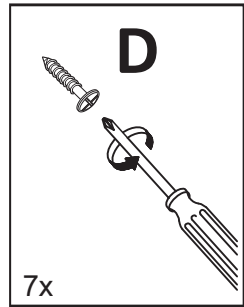
4x



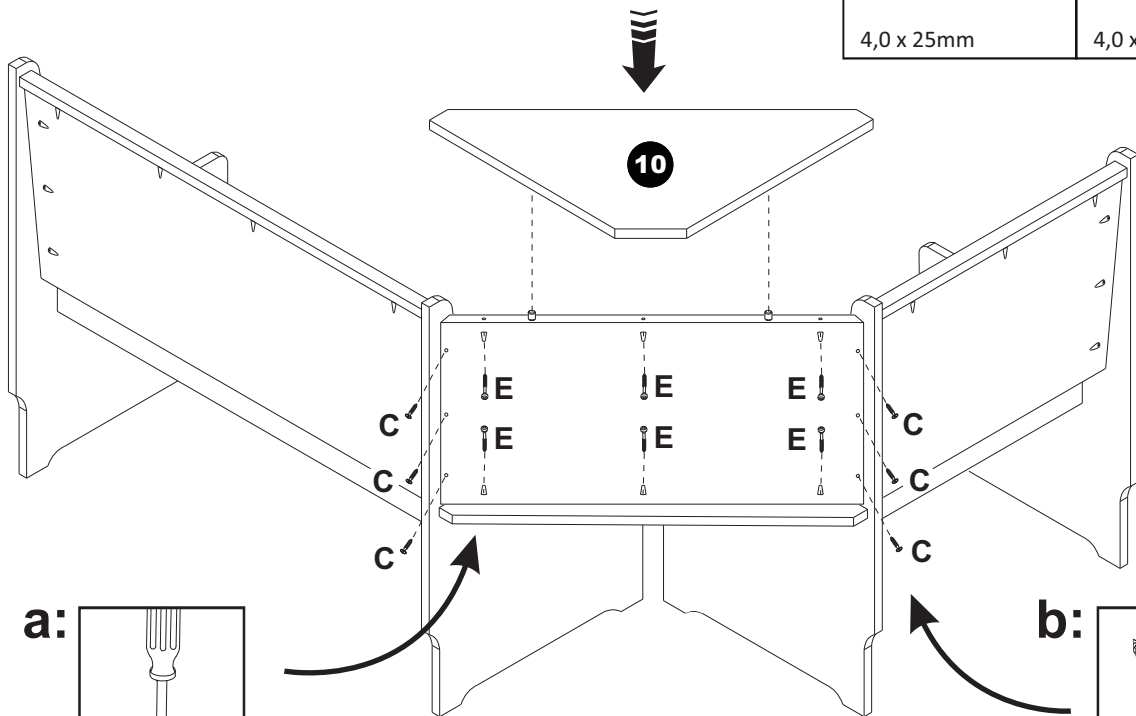
08

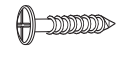


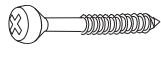
**D=07**  
  
 4,0 x 30mm

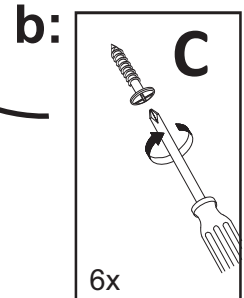
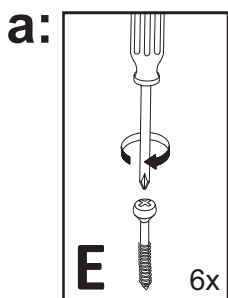


09

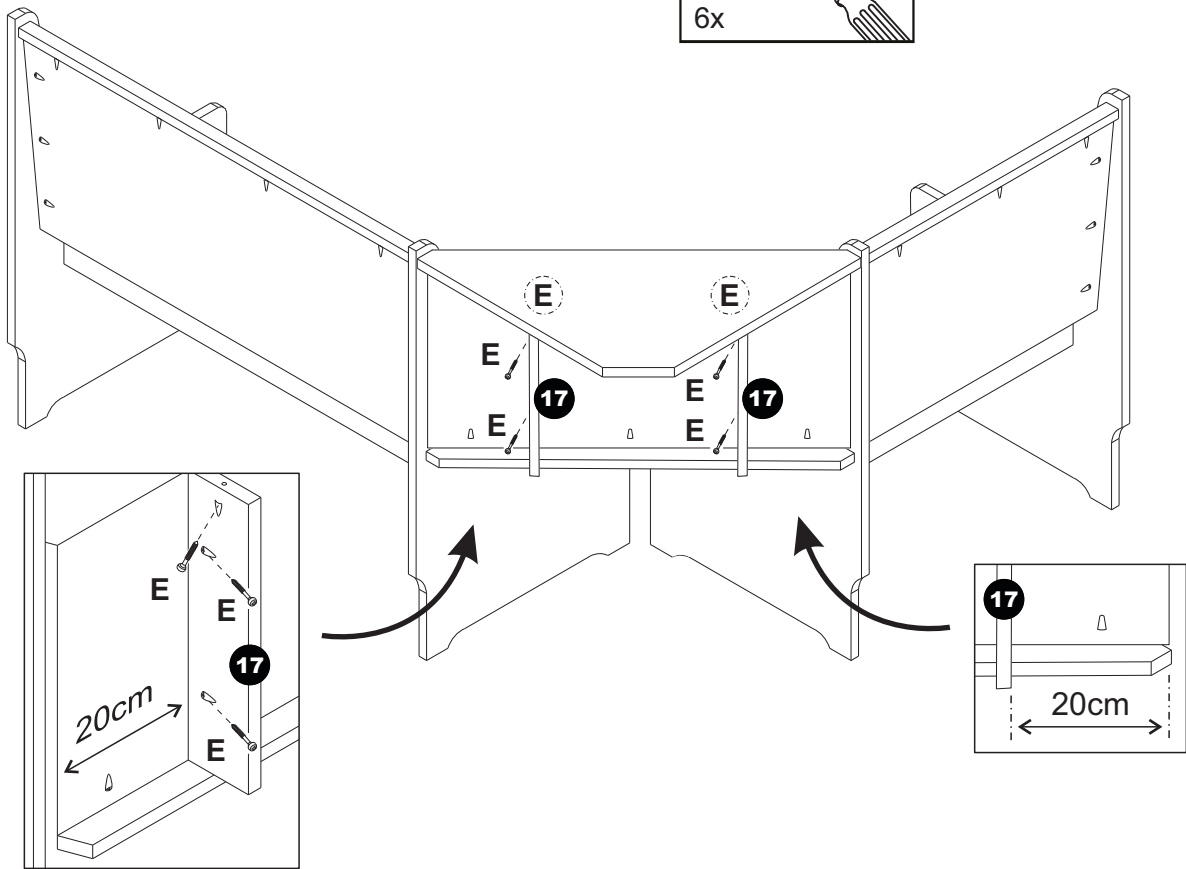
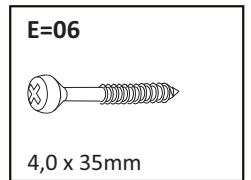
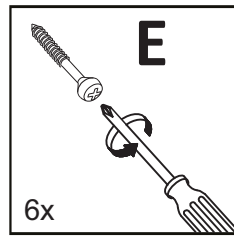


**C=06**  
  
 4,0 x 25mm

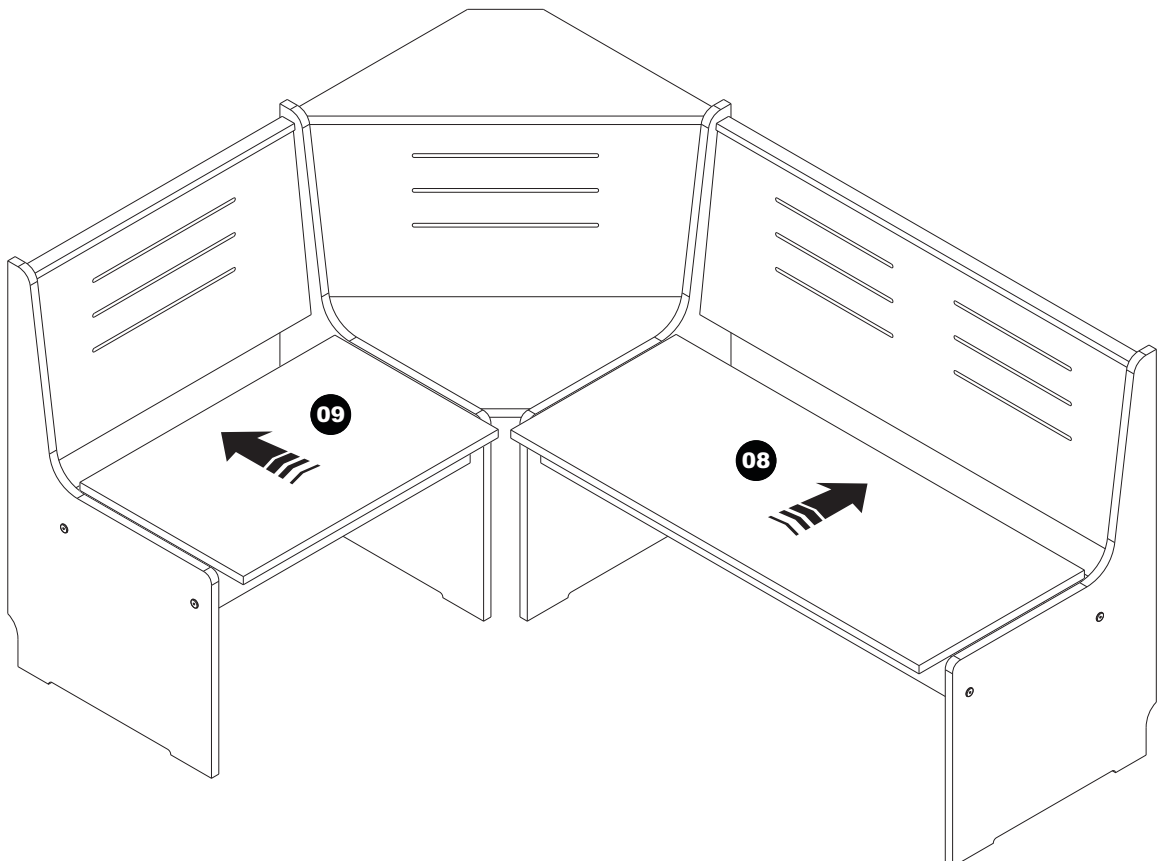
**E=06**  
  
 4,0 x 35mm



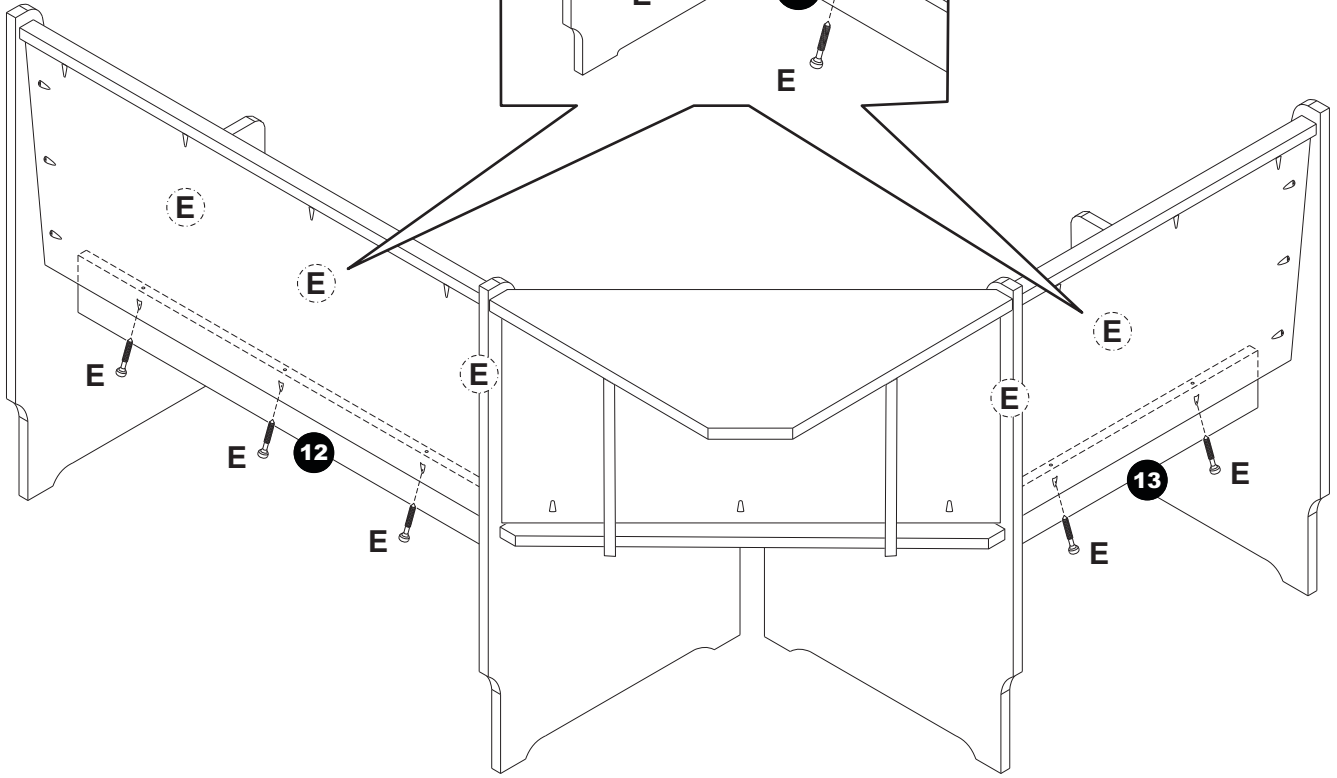
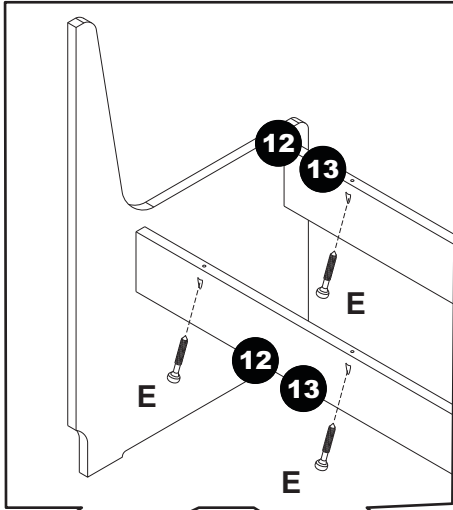
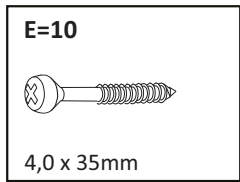
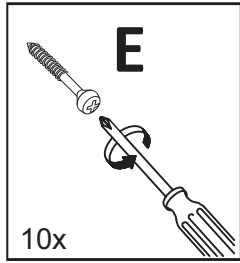
10



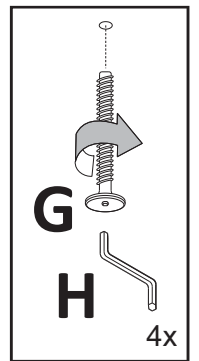
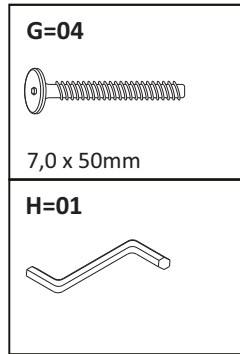
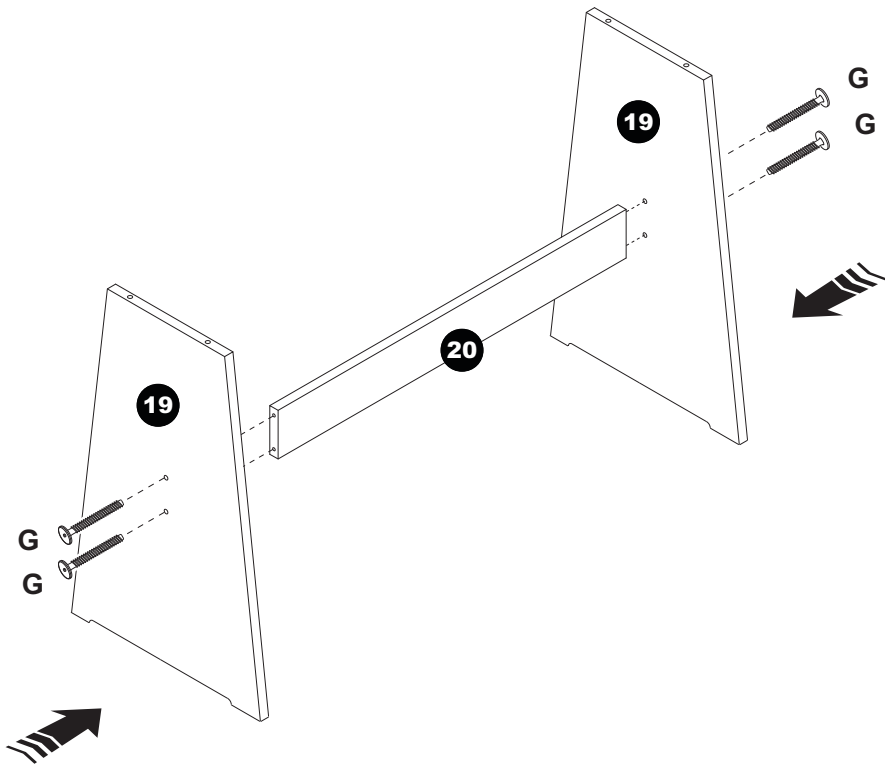
11



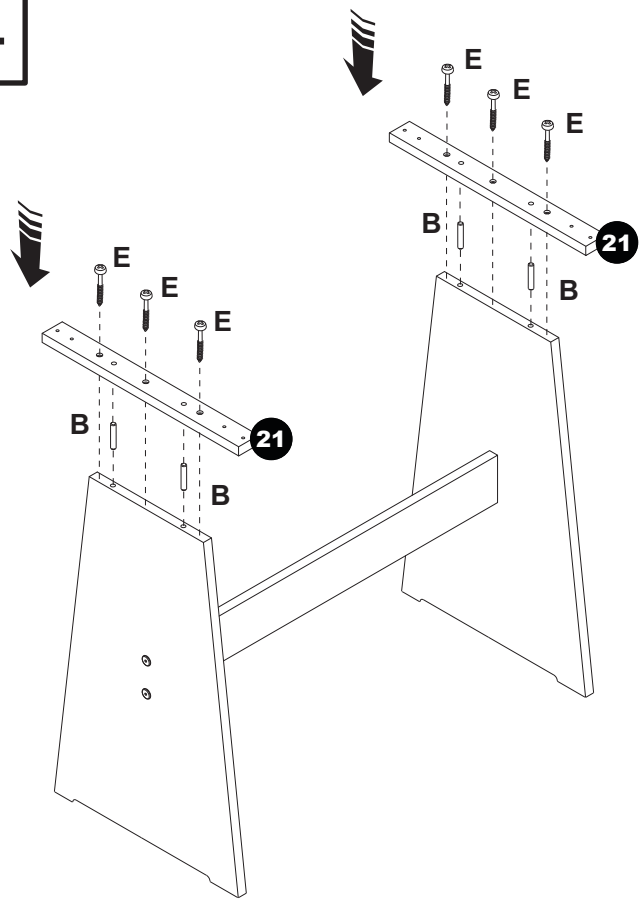
12



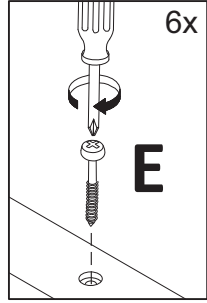
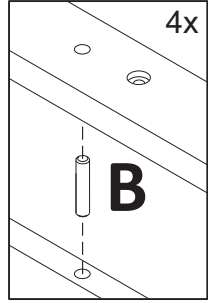
13



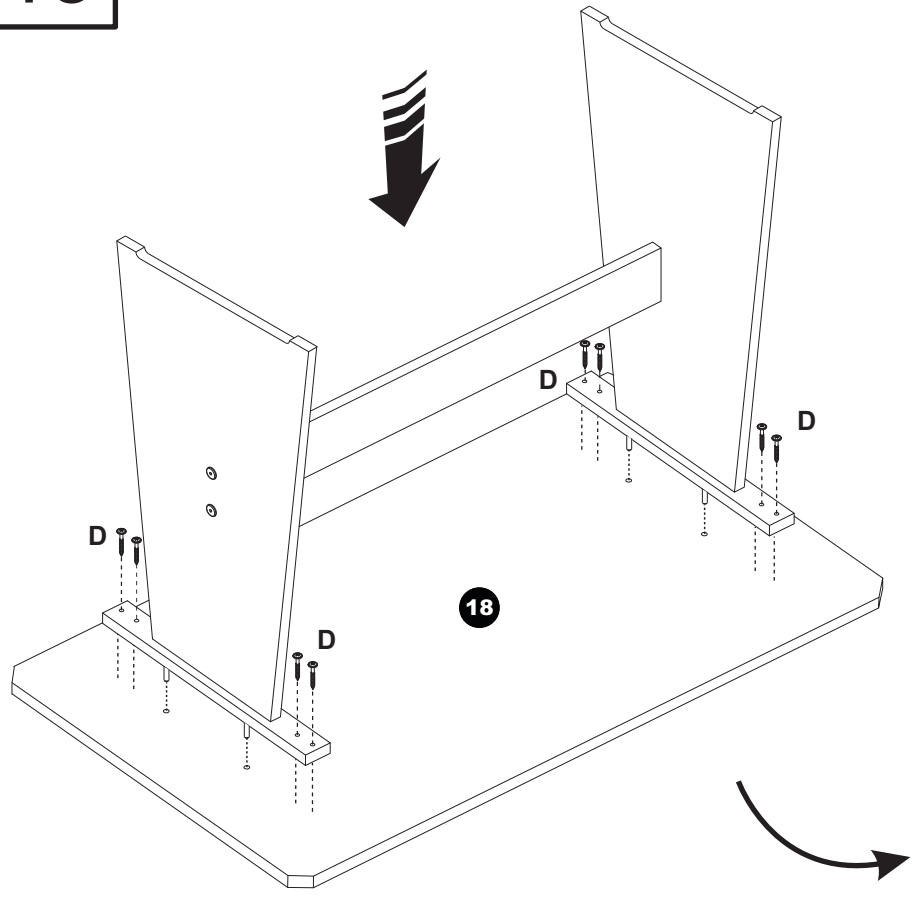
14



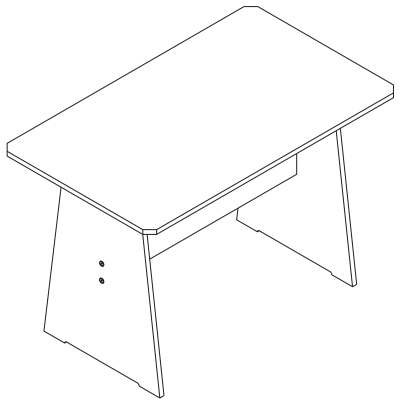
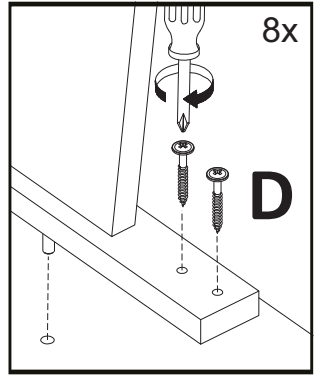
<b>B=04</b>  8,0 x 50mm	<b>E=06</b>  4,0 x 35mm
-------------------------------	-------------------------------



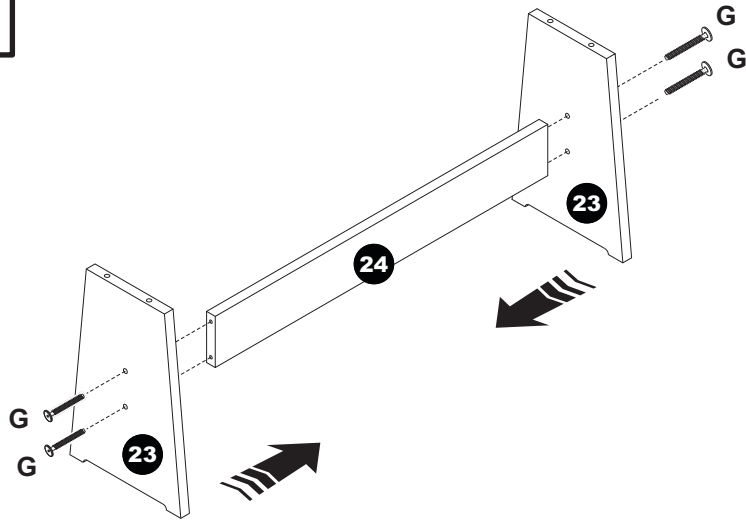
15

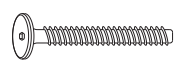



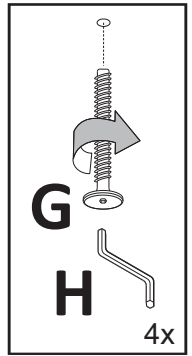
<b>D=08</b>  4,0 x 30mm
-------------------------------



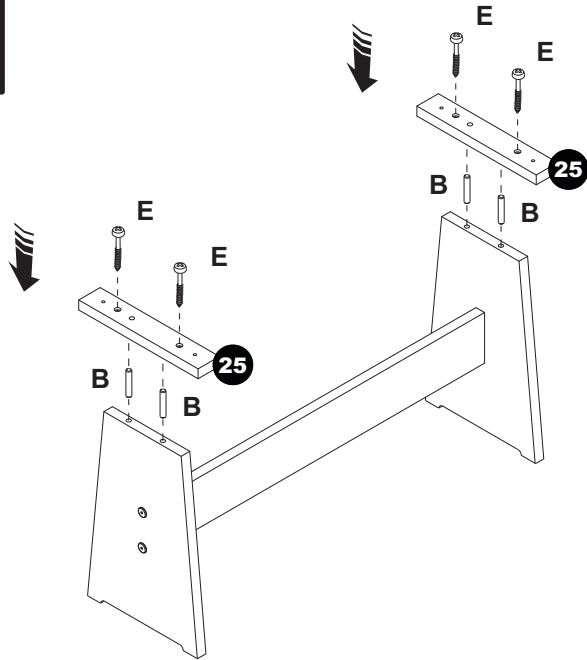
16


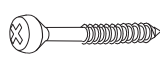


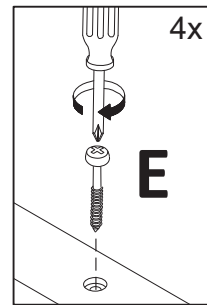
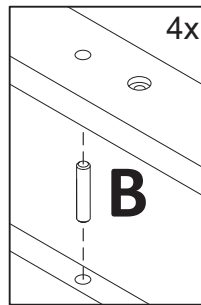
<p><b>G=04</b></p>  <p>7,0 x 50mm</p>	<p><b>H=01</b></p> 
--	--



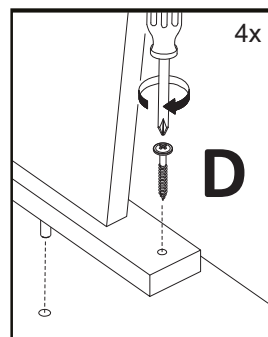
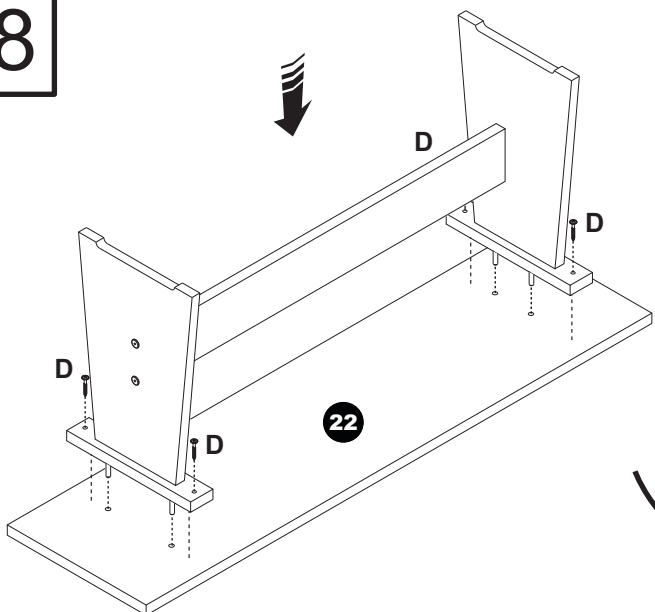
17

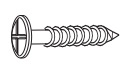


<p><b>B=04</b></p>  <p>8,0 x 50mm</p>	<p><b>E=04</b></p>  <p>4,0 x 35mm</p>
--	--



18



<p><b>D=04</b></p>  <p>4,0 x 30mm</p>
--

