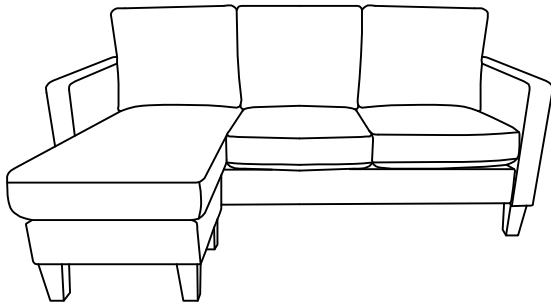
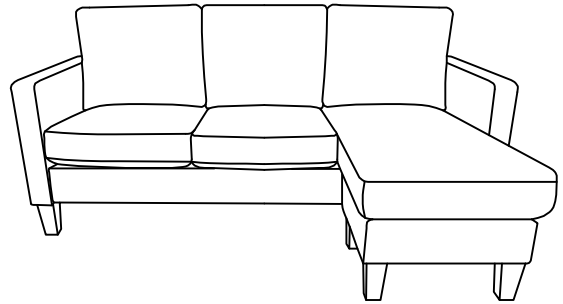


ASSEMBLY INSTRUCTION

60150/60151



or



Box 1/2:

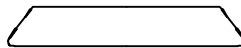
Armrest: Ax1



Armrest: Bx1



Seat Frame: Cx1



Board: Dx1



Board: Ex1



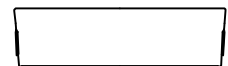
Bolt: Fx2



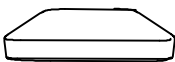
Allen Key: Gx1



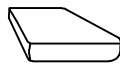
Back: Hx1



Seat Cushion: Ix2



Seat Cushion: Jx1



Pillow: Kx3



Box 2/2:

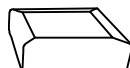
Leg: Lx8



Pad: Mx8

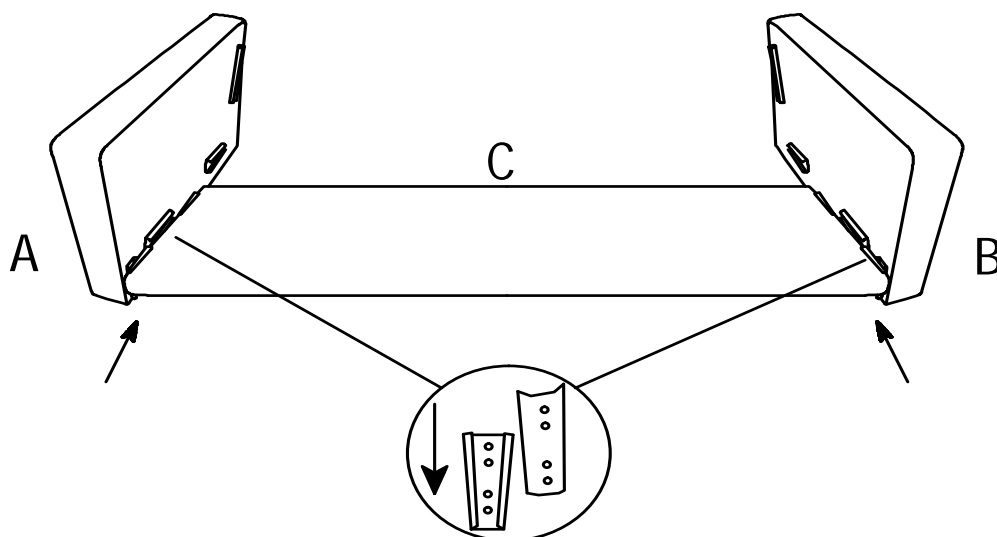


Ottoman: Nx1



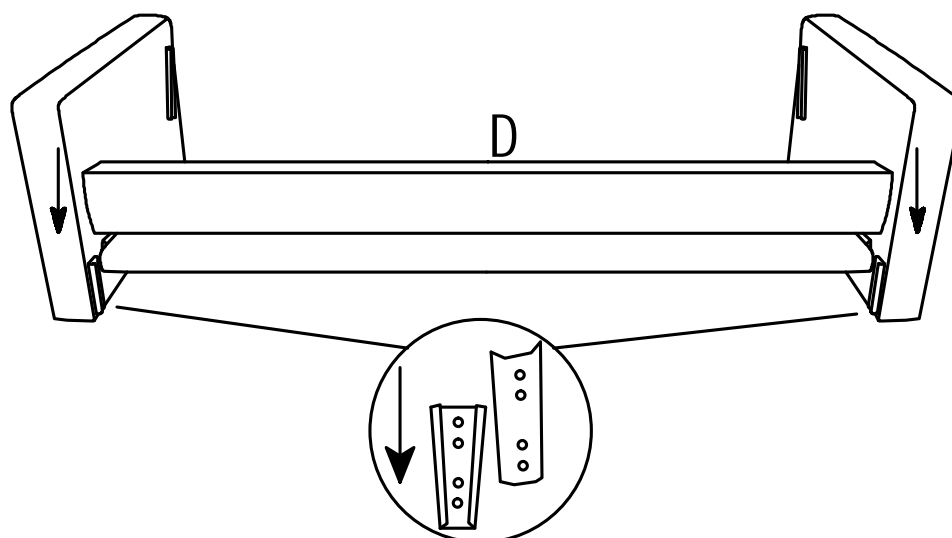
STEP 1

Assemble seat and armrests.



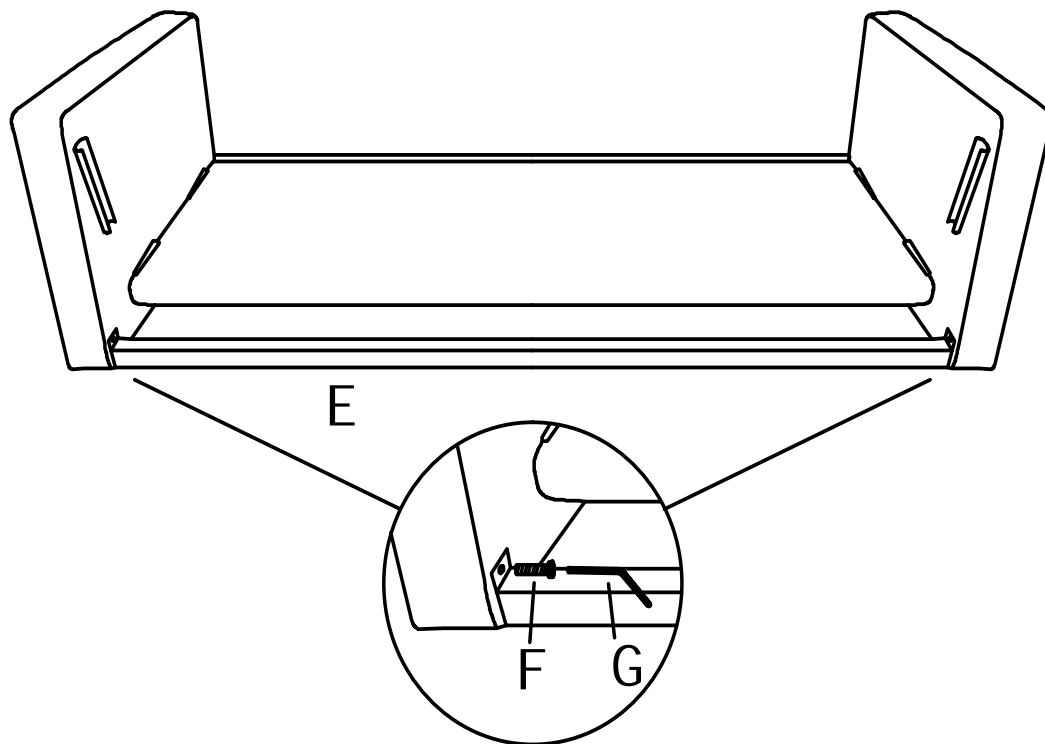
STEP 2

Assemble front support D.



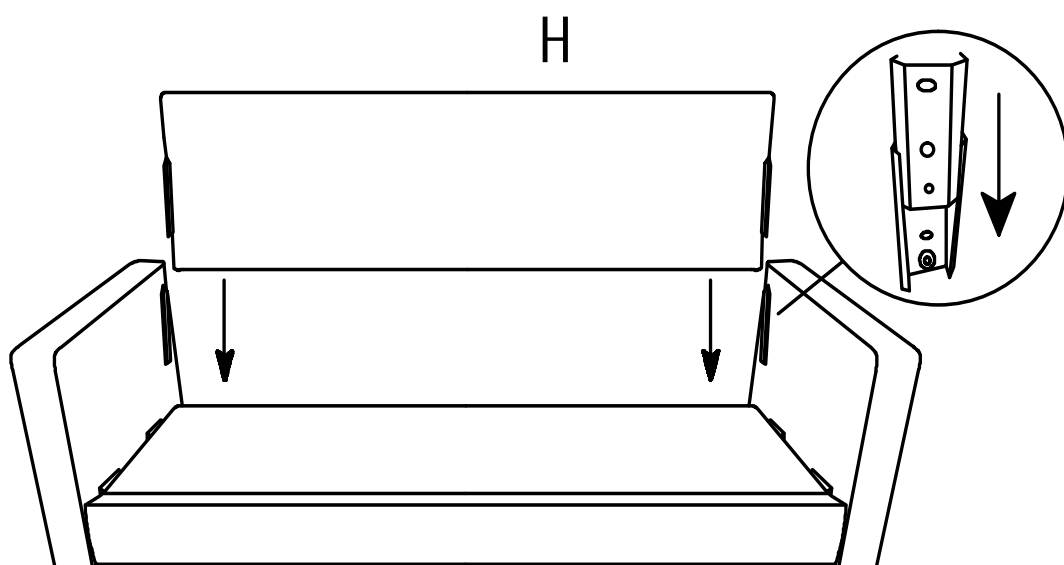
STEP 3

Assemble rear support E.



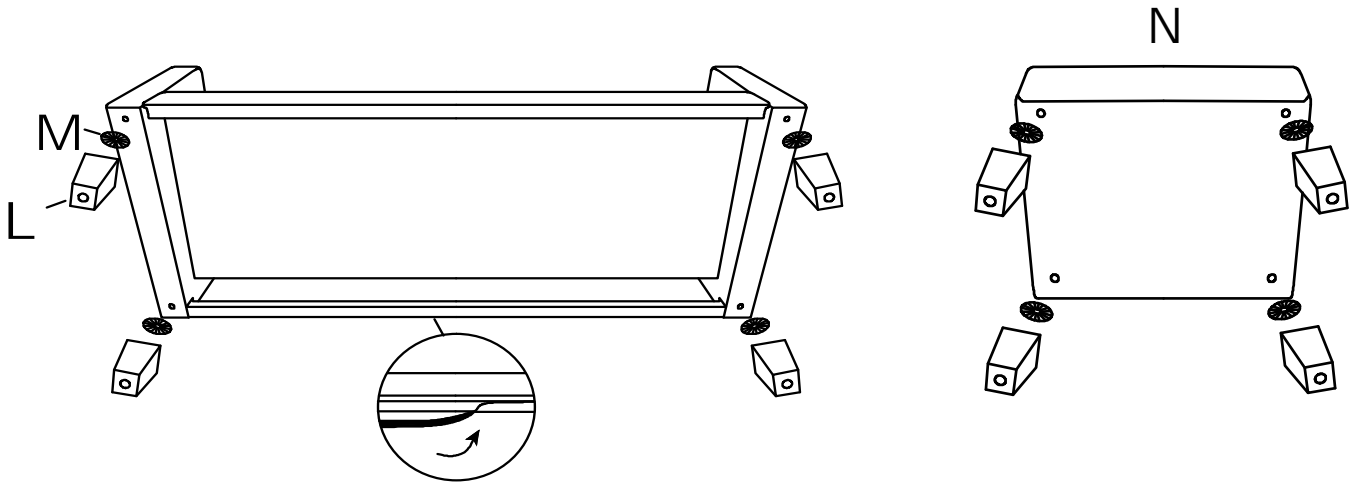
STEP 4

Assemble back with seat and armrests.



STEP 5

Assemble sofa legs.



STEP 6

Put cushions on the sofa.

