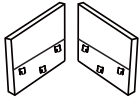


ASSEMBLY INSTRUCTION

ITEM NO:51231/51232/51233

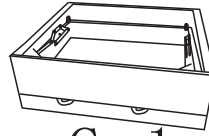
PARTS AND HARDWARE



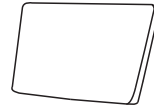
A x 2



B x 1



C x 1



D x 2



E x 2

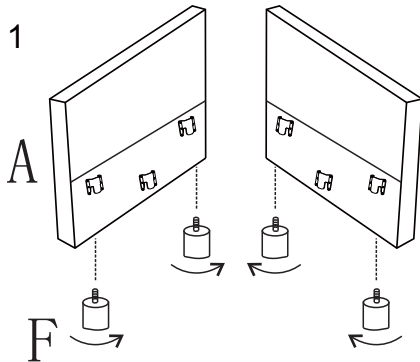


F x 8

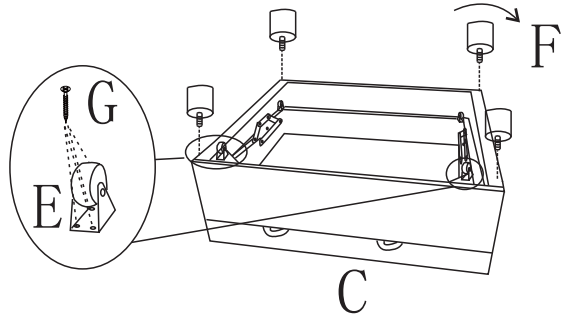


G x 8

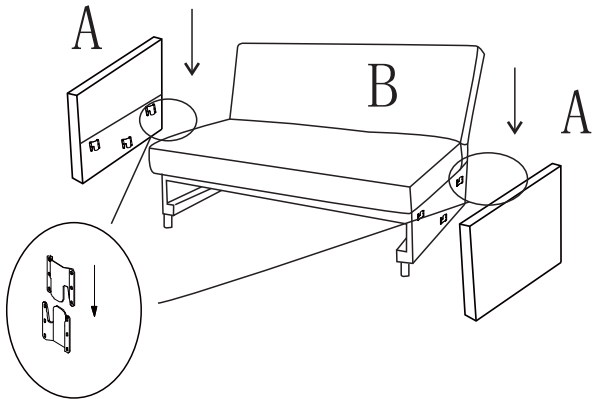
STEP 1



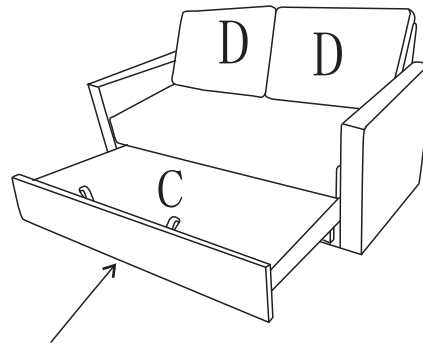
STEP 2



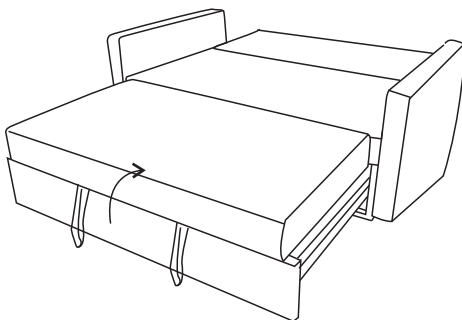
STEP 3



STEP 4



STEP 5



STEP 6

