

## Components

# Blair Lift & Tilt Recliner

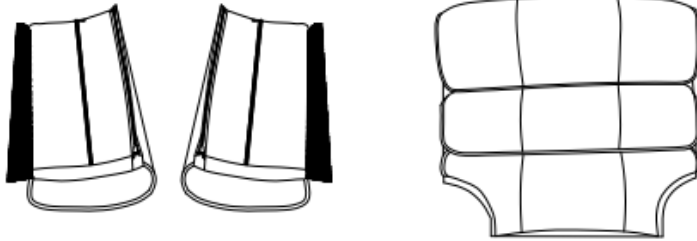
## Simple Assembly Instruction

25565/25566  
25567/25568

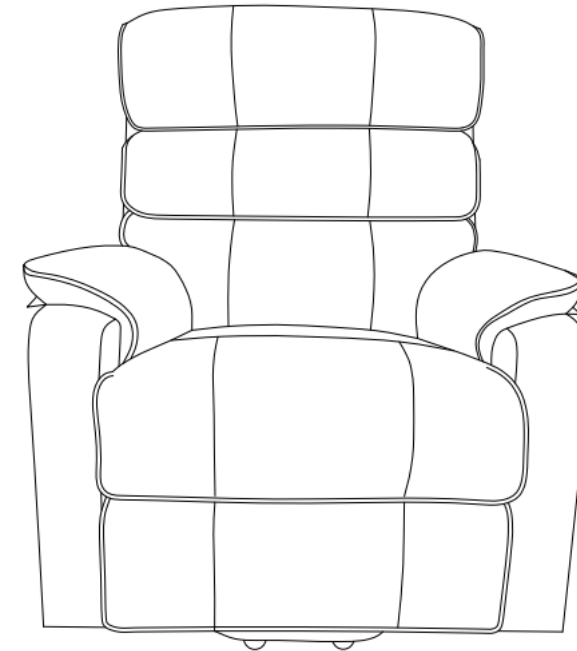
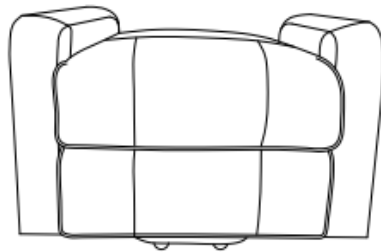
A X 1

B X 1

C X 1



D X 1



## Fittings

E X 1




## IMPORTANT

1. Read these instructions carefully and familiarise yourself with the procedure before assembling the unit.
2. Check that you have all the component parts following the list on the back cover and familiarise yourself with each part before proceeding.
3. Take all the fittings out of the plastic bag and separate them into their groups.
4. Ensure you have enough space to lay out all the parts before assembly.
5. To avoid scratching it is recommended that you assemble the unit on a soft level surface.

# Assembly Instructions

## Stage 1 - Fiting the unit

 **WARNING:** If the supply cord is damaged, it must be replaced by the manufacturer, its service agent or similarly qualified persons in order to avoid a hazard.

**NOTE:** It would be useful to ask someone to help you at this stage.

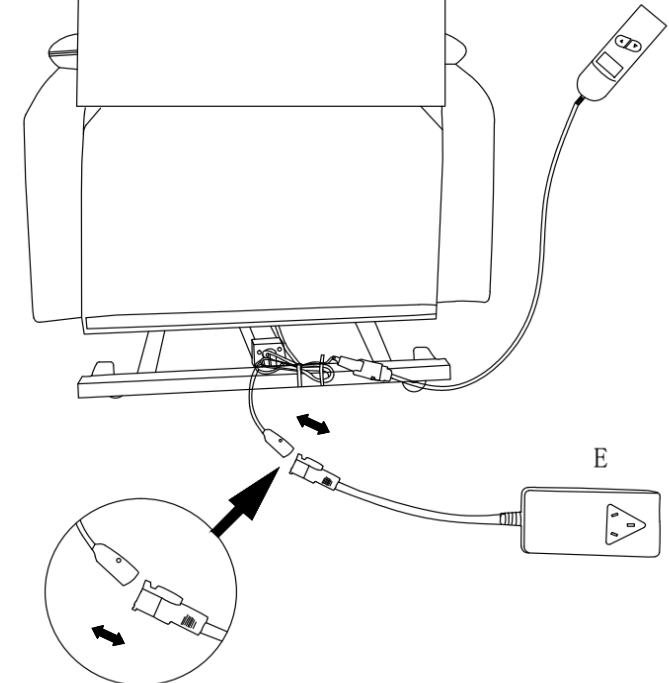
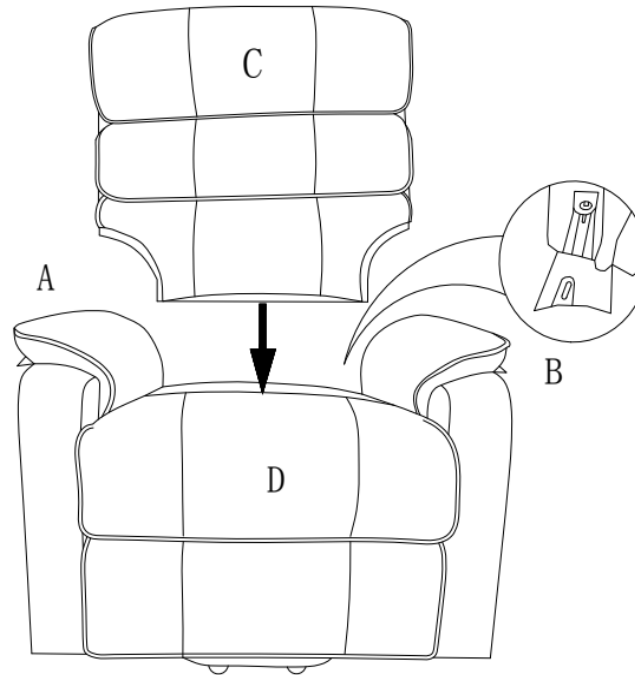
1. Remove and unpack the fittings which are stored under the Seat Unit D .

2. Insert the Back Rest C into the Metal Locks of the Seat Unit D. Ensure they lock into place by fully pushing them down.

3. Connect the Armrest Pad A and B to Seat Unit D

4. Connect the Mains Plug Cable socket into the transformer plug E.

**Please do not untie the wire on the metal frame.**

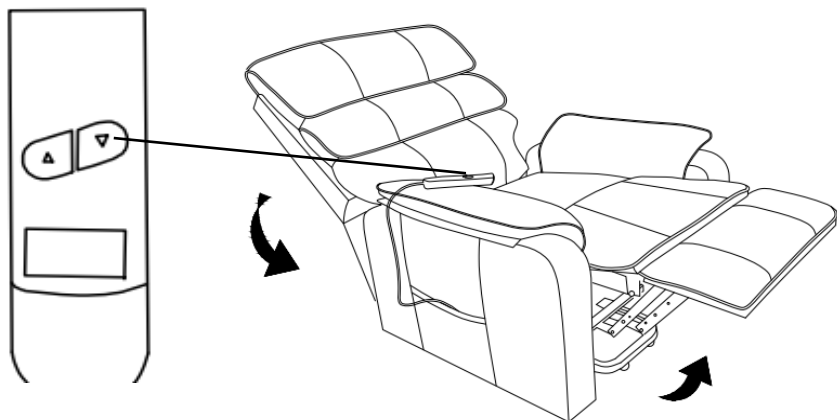


# Assembly Instructions

## Stage 2 - Adjusting the unit

This chair features a electronic reclining function and raised foot rest. You need to use the remote to adjust it.

1. Remove the Remote Control from the storage pocket
2. Press the "DOWN" button which will recliner the chair and raise the footrest



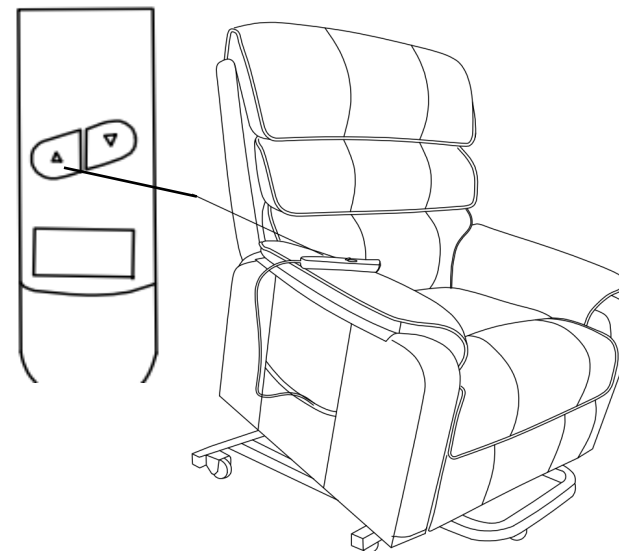
### CAUTION:

- Beware of entrapment. Keep hands and fingers clear of mechanism when operating the controls.
- Ensure that children or pets are not playing or lying in the way when the mechanism is operated.
- Prevent children from playing on the furniture or with the controls.
- Ensure that the cable between the transformer and the plug is kept clear of the mechanism under the chair.
- This appliance is not intended for use by persons (including children) with reduced physical, sensory or mental capabilities, or lack of experience and knowledge, unless they have been given supervision or instruction concerning use of the appliance by a person responsible for their safety.
- Children should be supervised to ensure that they do not play with the appliance.



WASTE ELECTRICAL PRODUCTS SHOULD NOT BE DISPOSED OF WITH HOUSEHOLD WASTE. PLEASE RECYCLE WHERE FACILITIES EXIST. CHECK WITH YOUR LOCAL AUTHORITY FOR RECYCLING ADVICE.

3. Press the "UP" button which will lower the footrest and move the chair to its normal position or incline it forward.



### CAUTION:

*Please always put your sofa at least 10cm to the wall to ensure enough space for reclining.*

## Care and Maintenance

### Safety

To avoid any risk of suffocation to animals or children dispose of the plastic bags immediately.

### Cleaning

As with all surfaces clean with a damp cloth and mild detergent, do not use bleach or abrasive products.

### Fitting

From time to time please ensure there are no loose screws on the product.