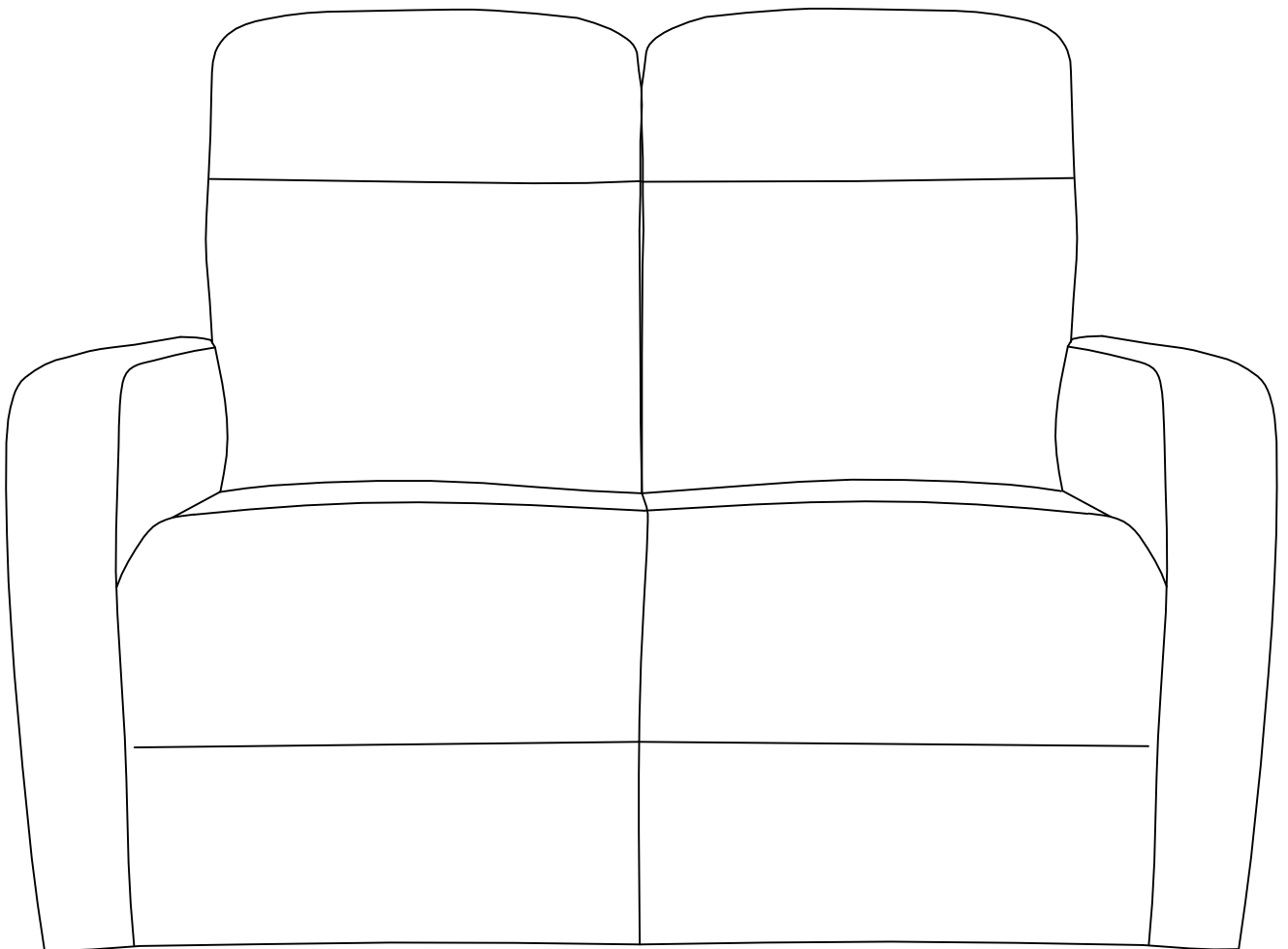


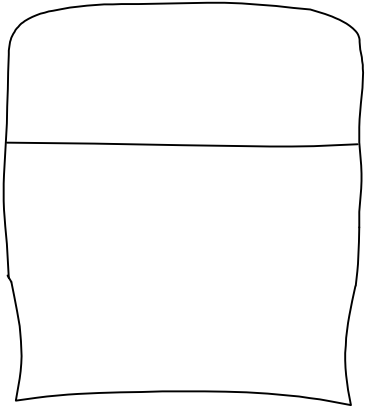
Assembly Instruction

60095

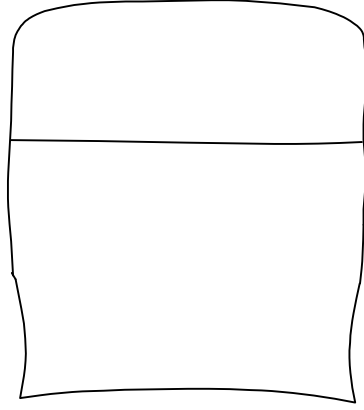


BOX 1/1:

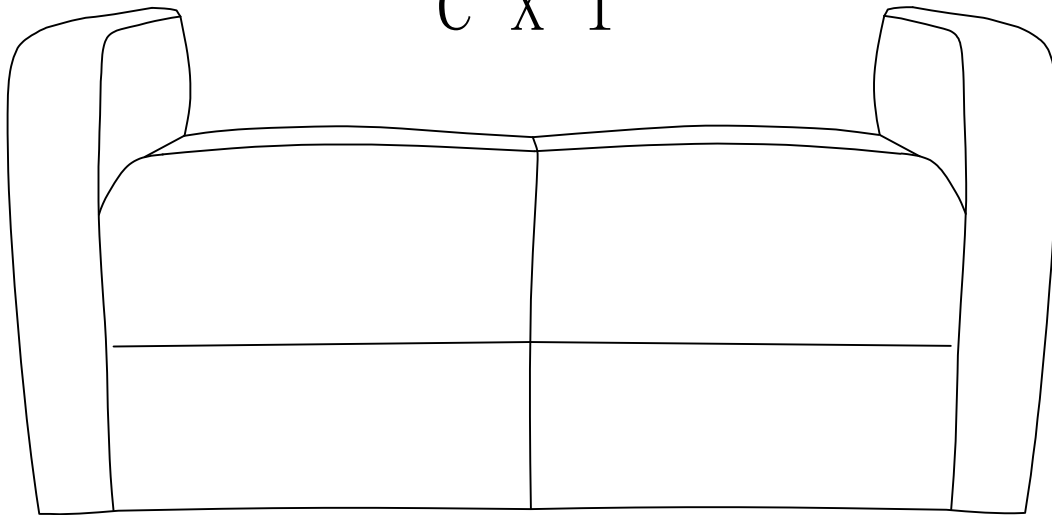
A X 1



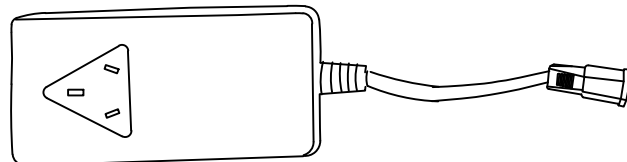
B X 1



C X 1

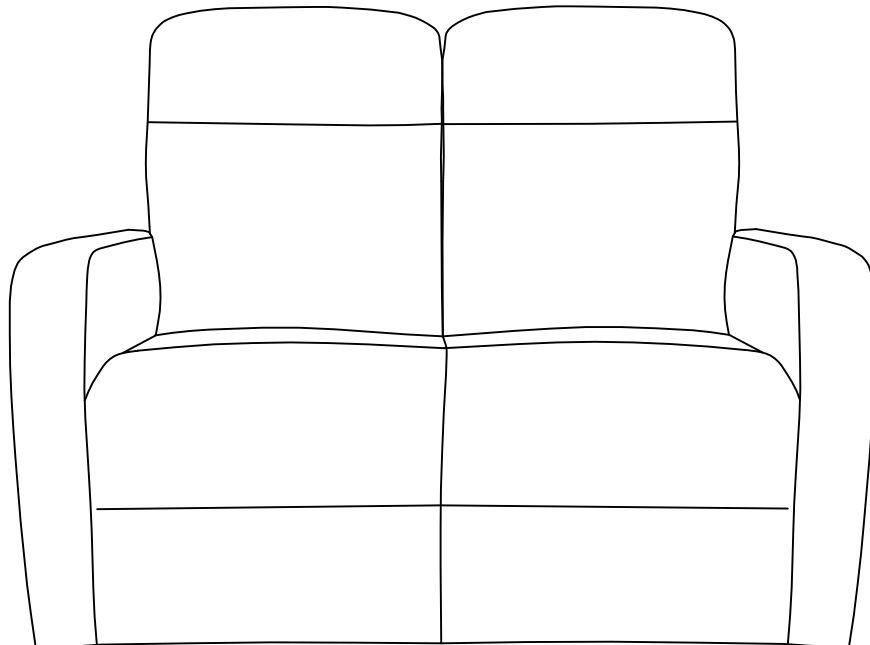
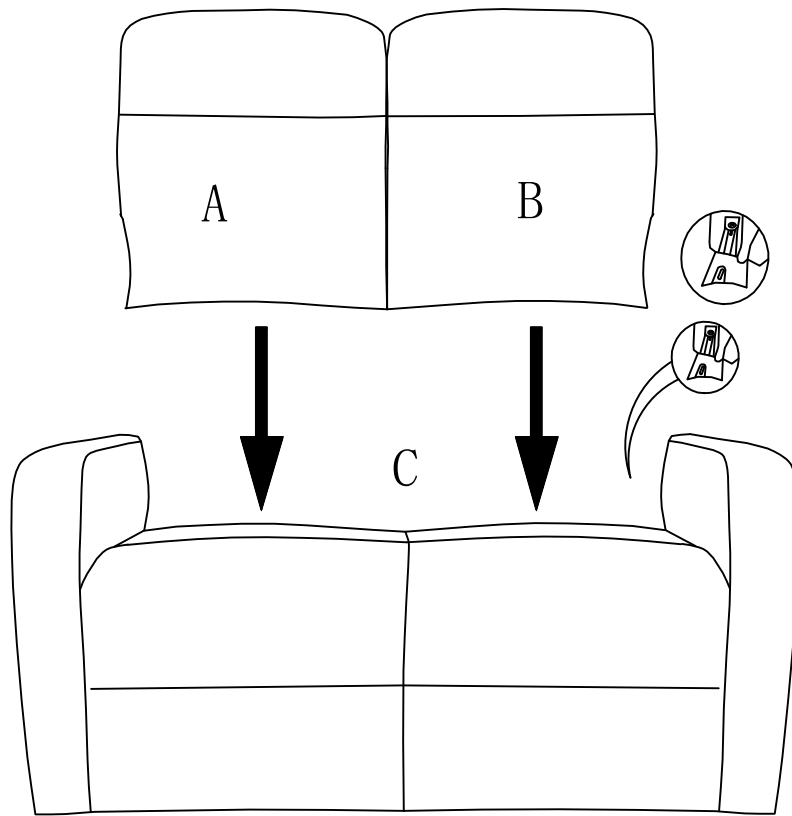


D X 1



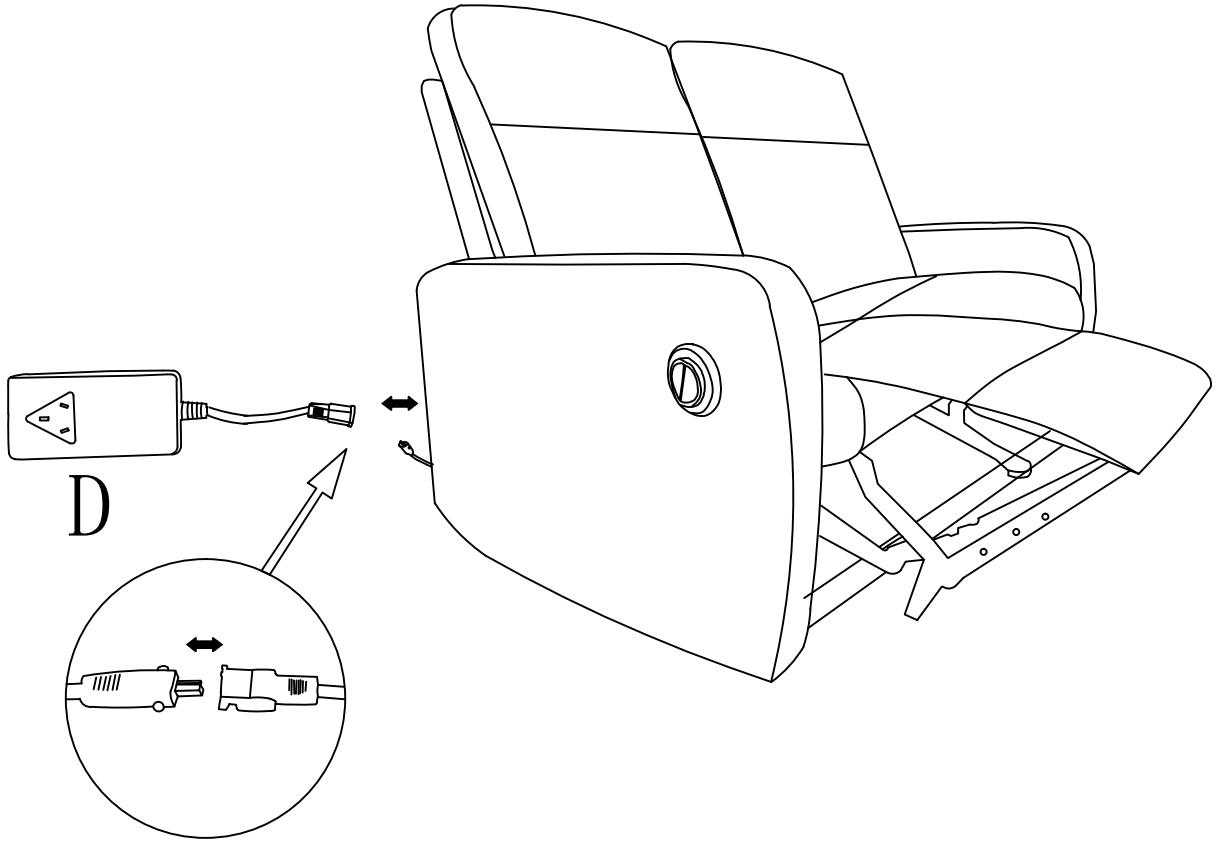
2/5

1



3/5

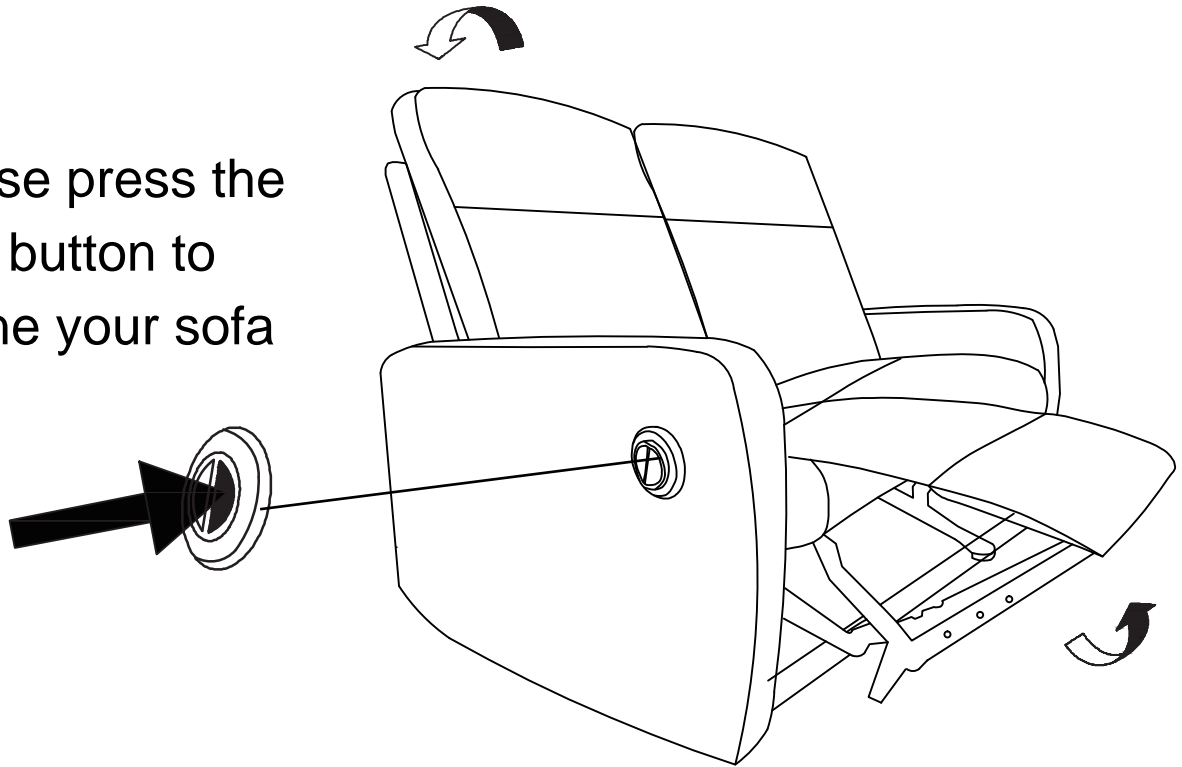
2



3

Please always put your sofa at least 10cm to the wall to ensure enough space for reclining.

Please press the front button to recline your sofa



Please press the rear button to close your sofa

