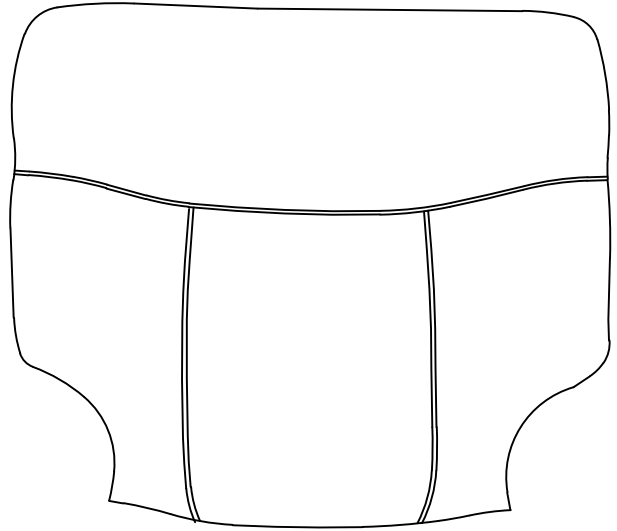
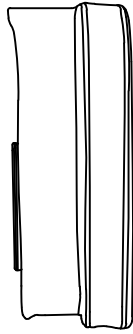
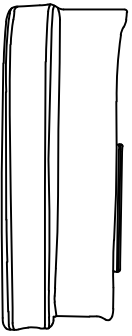


BOX 1/1:

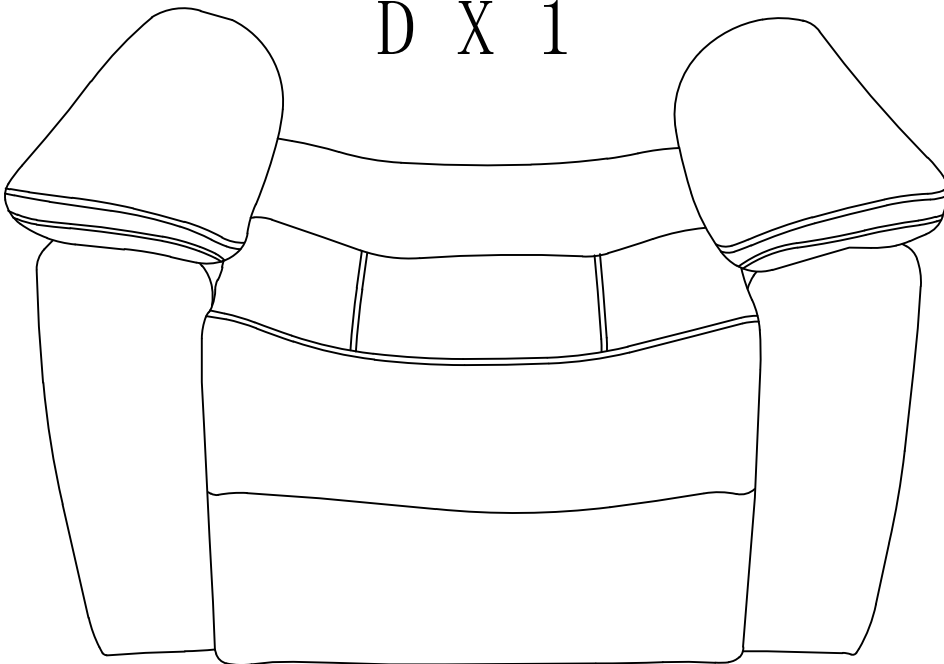
A X 1

B X 1

C X 1

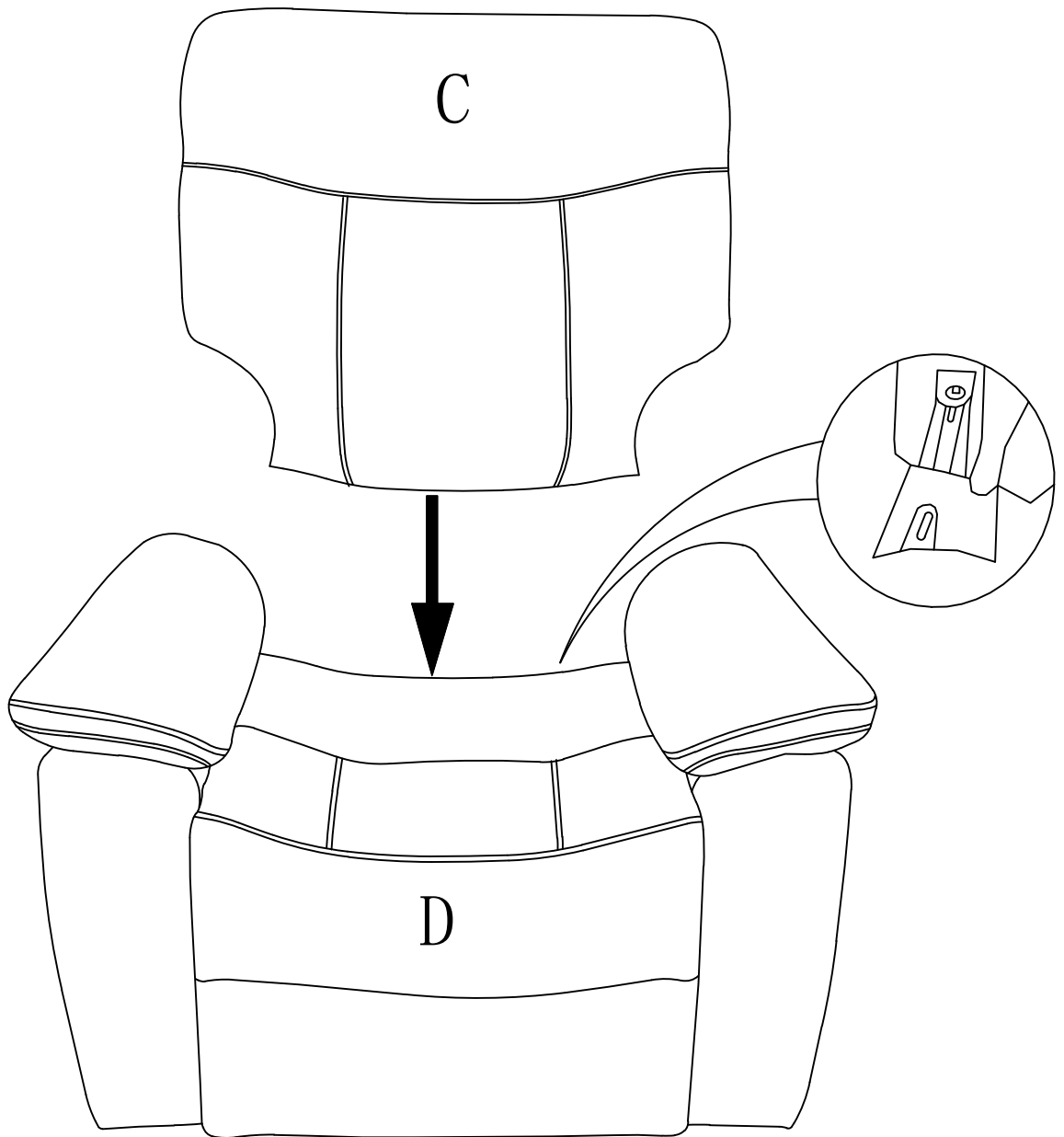


D X 1



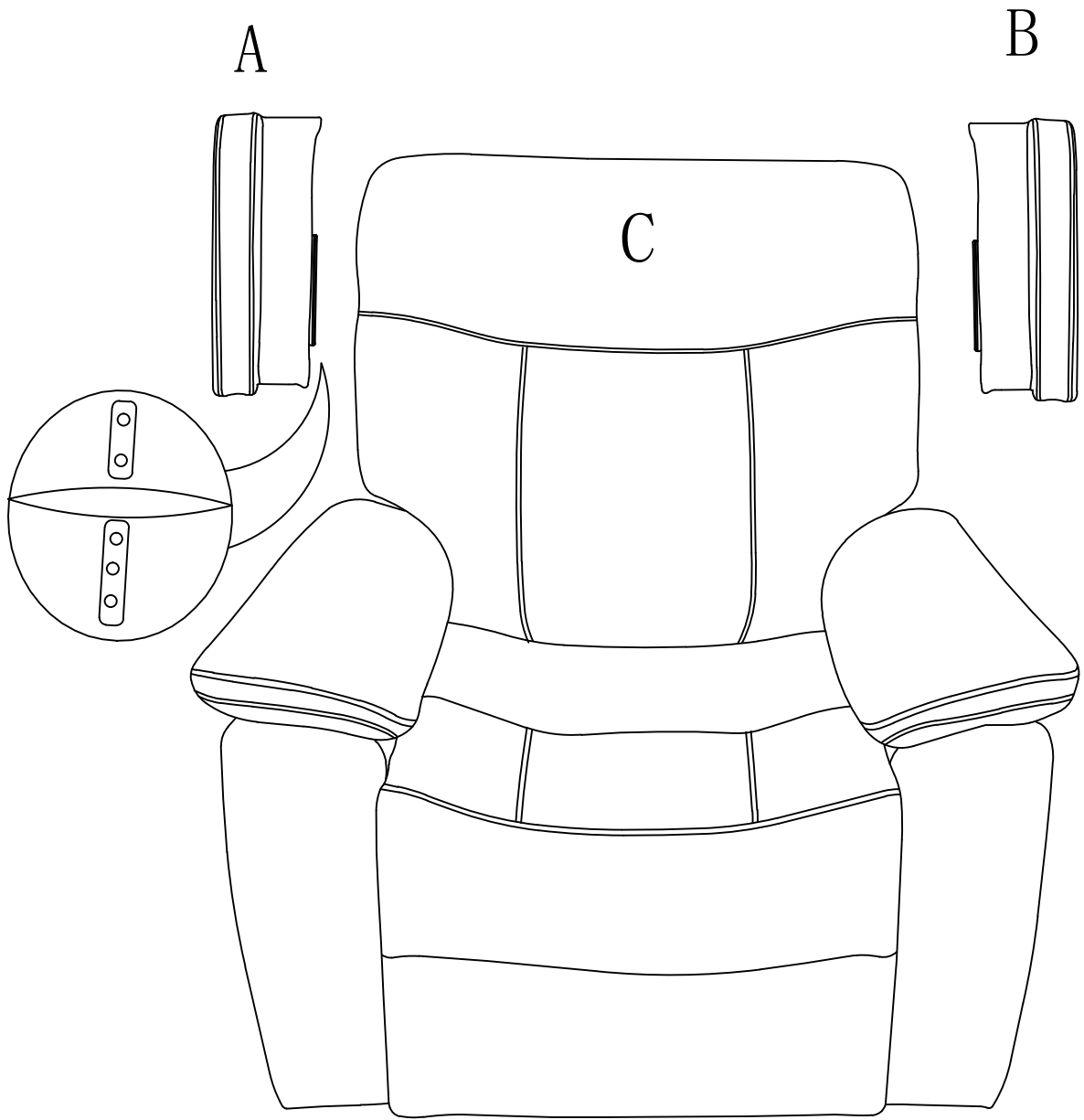
2/5

1



3/5

3



4

