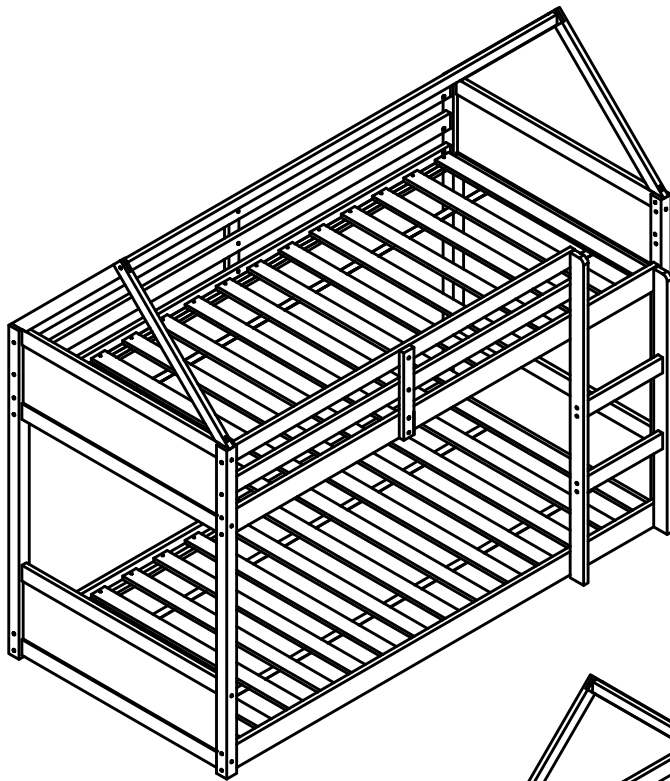
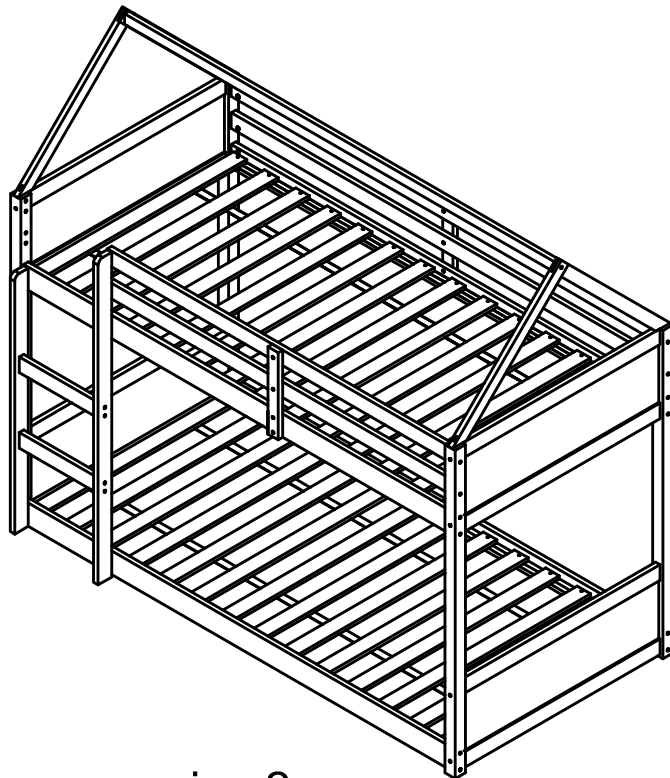


P04816

ASSEMBLY INSTRUCTIONS

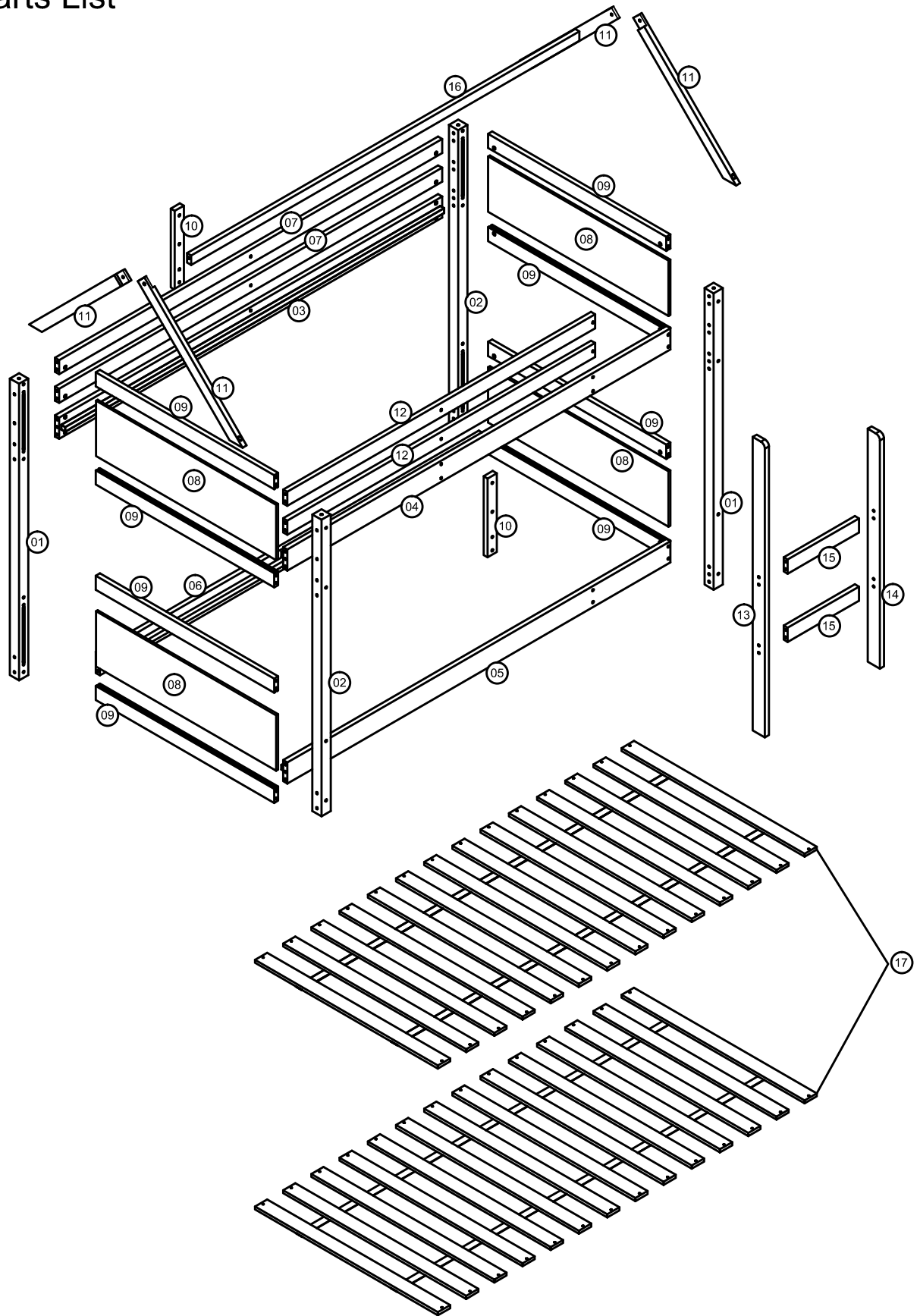


version 1

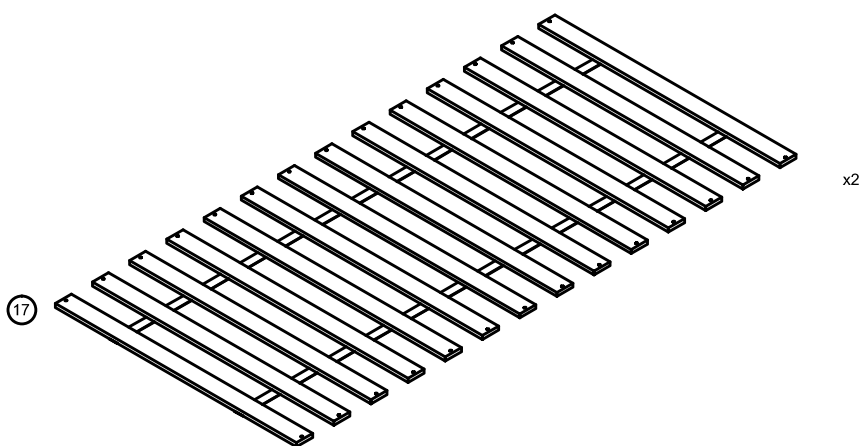
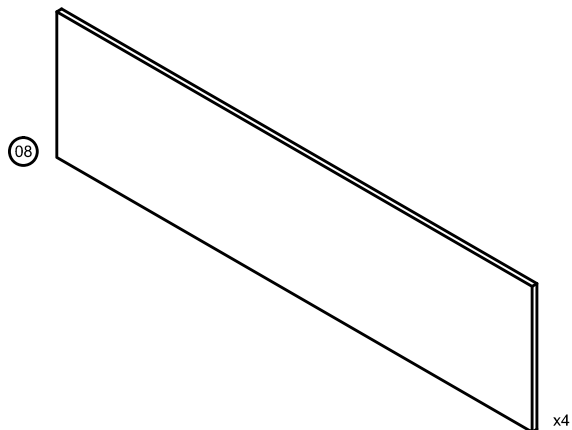
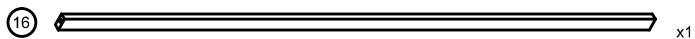
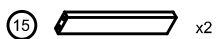
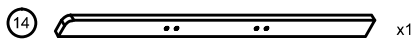
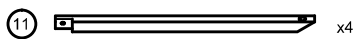
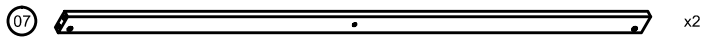
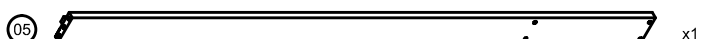
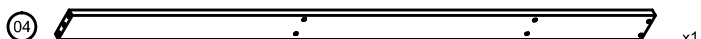
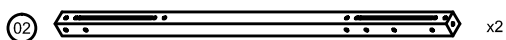
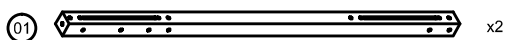


version 2

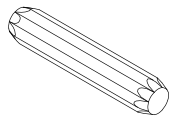
Parts List



Parts List

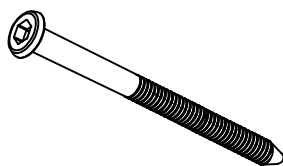


Hardwares List



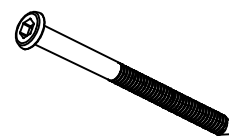
8x30

Ax30



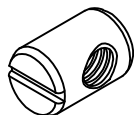
m6x90

Bx36

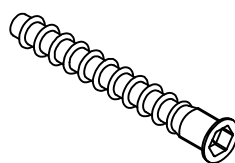


m6x70

Cx2

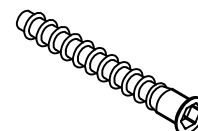


Dx38



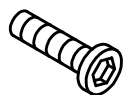
m7x60

Ex18



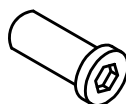
m7x50

Fx4



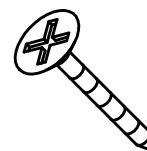
m6x30

Gx8



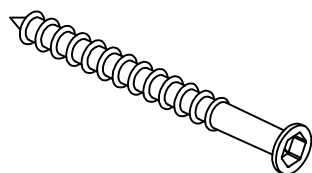
m6x20

Hx8



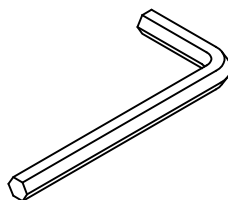
m4x30

Jx56



m6x90

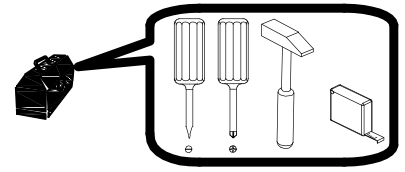
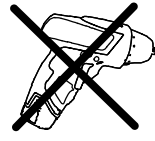
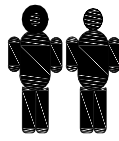
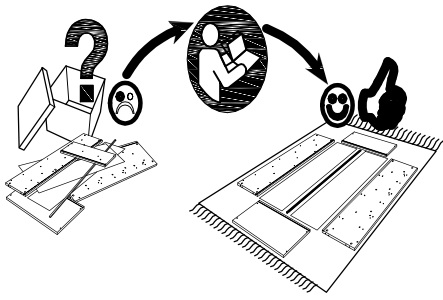
Kx2




Lx2

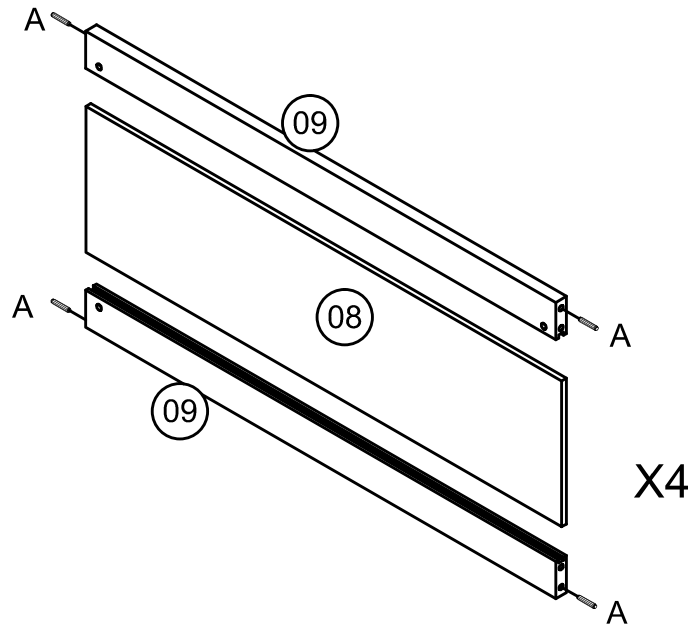


Mx6






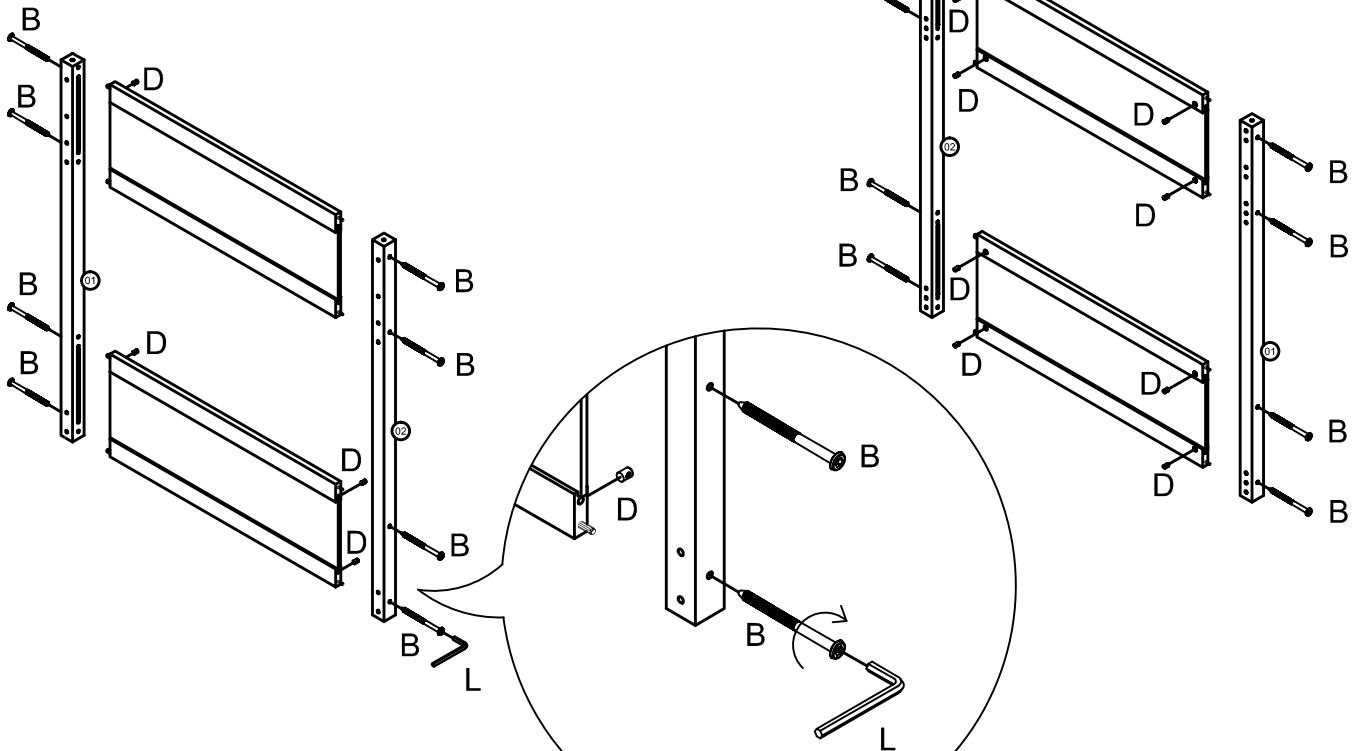
01

A	 8x30	16
---	--	----



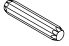
02

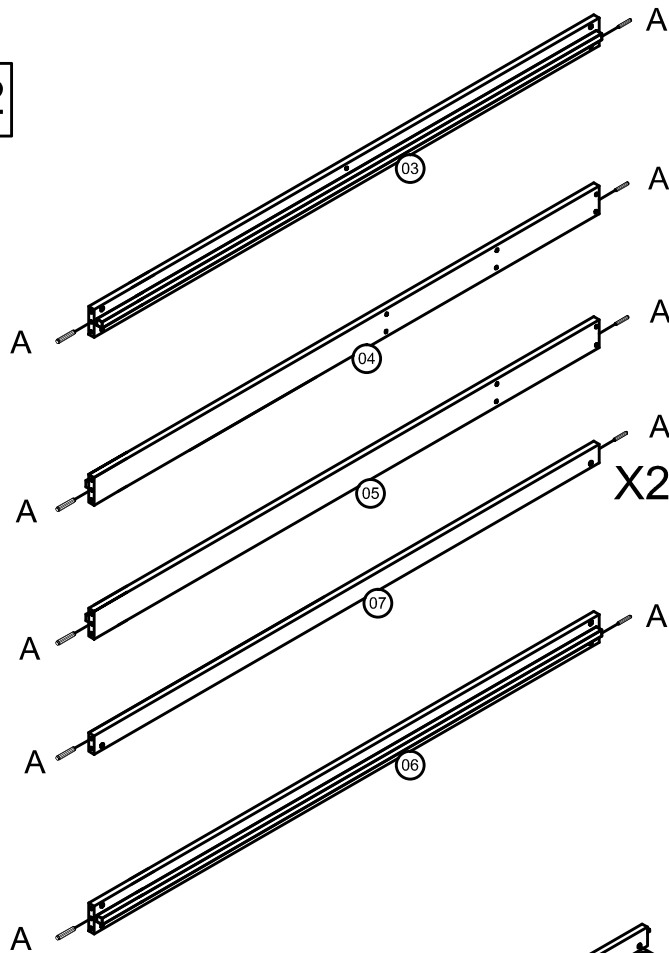
B	 m6x90	16
D		16
L		1





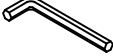
version 1

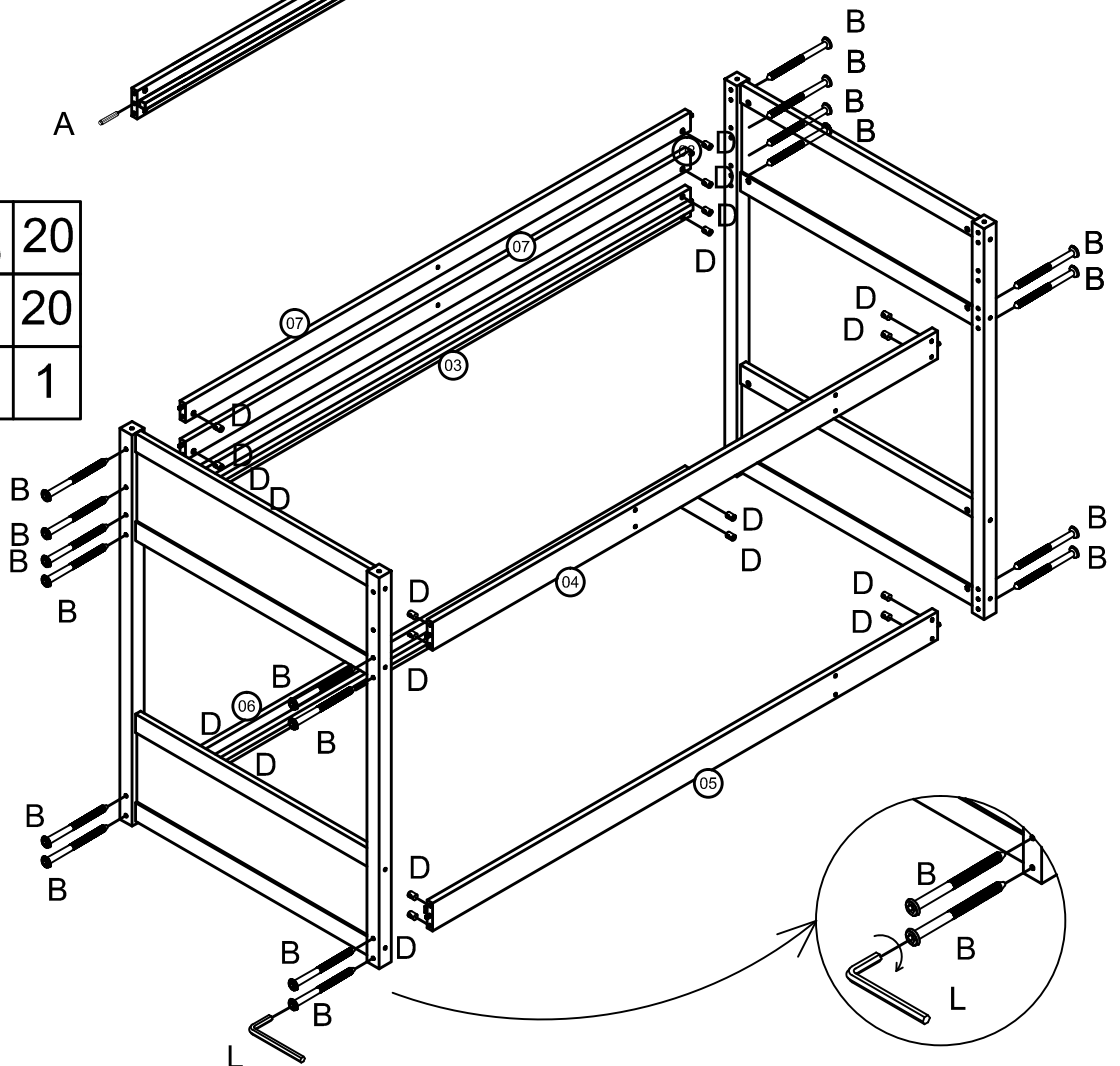
03

A	 8x30	12
---	--	----



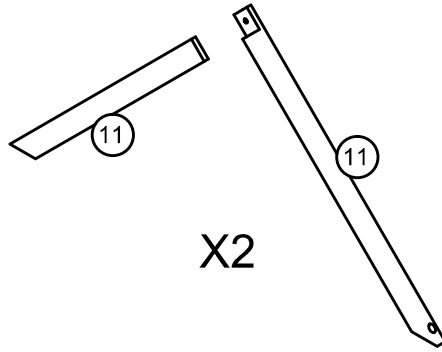
04

B	 m6x90	20
D		20
L		1






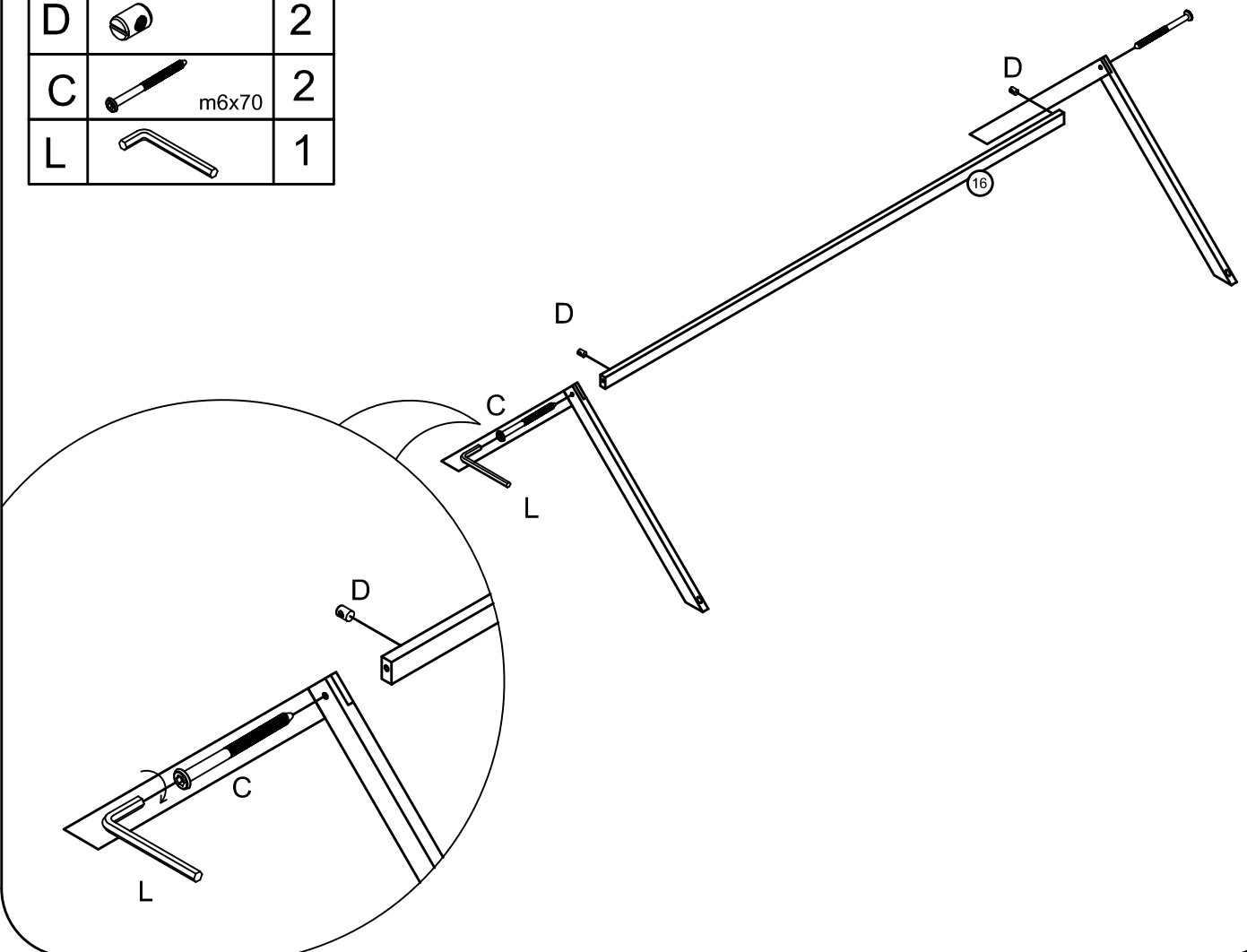
05

version 1



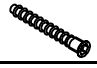

06

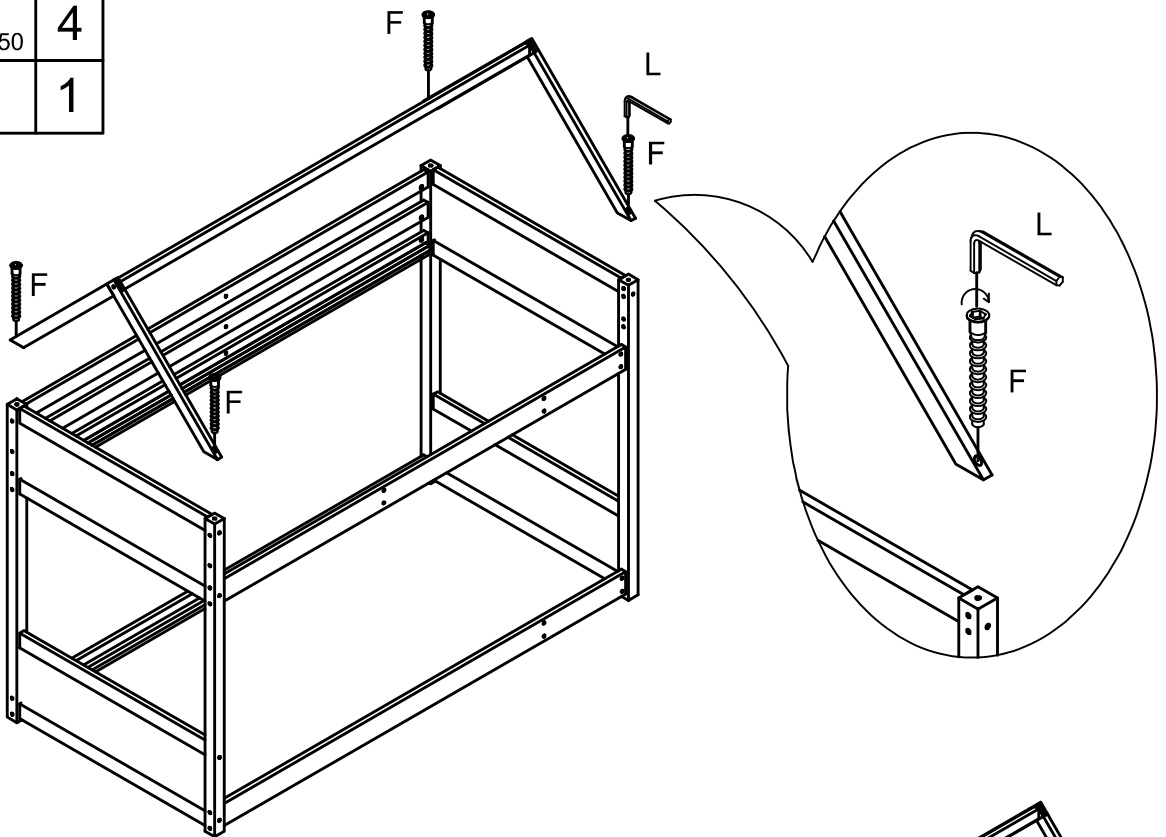
D		2
C	 m6x70	2
L		1






07

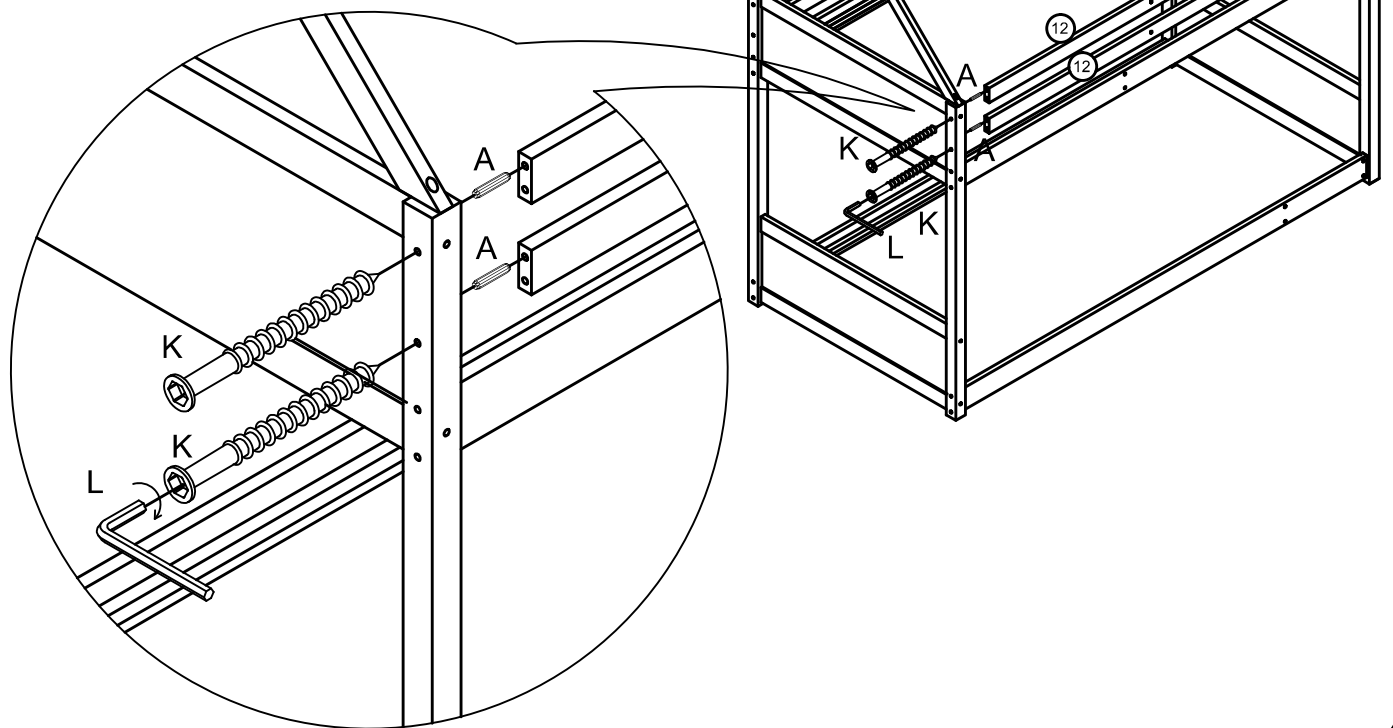
version 1

F	 m7x50	4
L		1



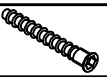

08

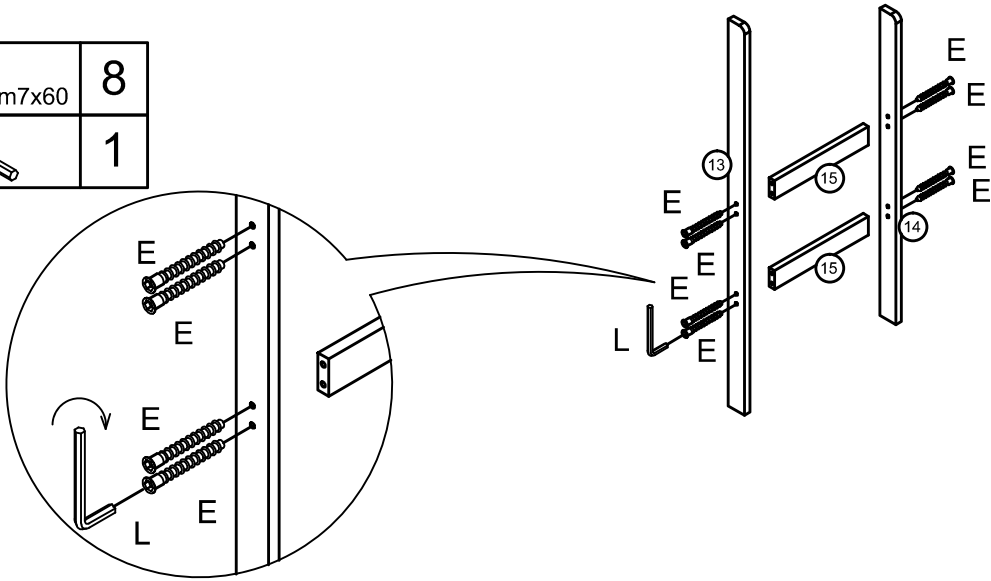
A	 8x30	2
K	 m6x90	2
L		1



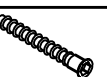

version 1

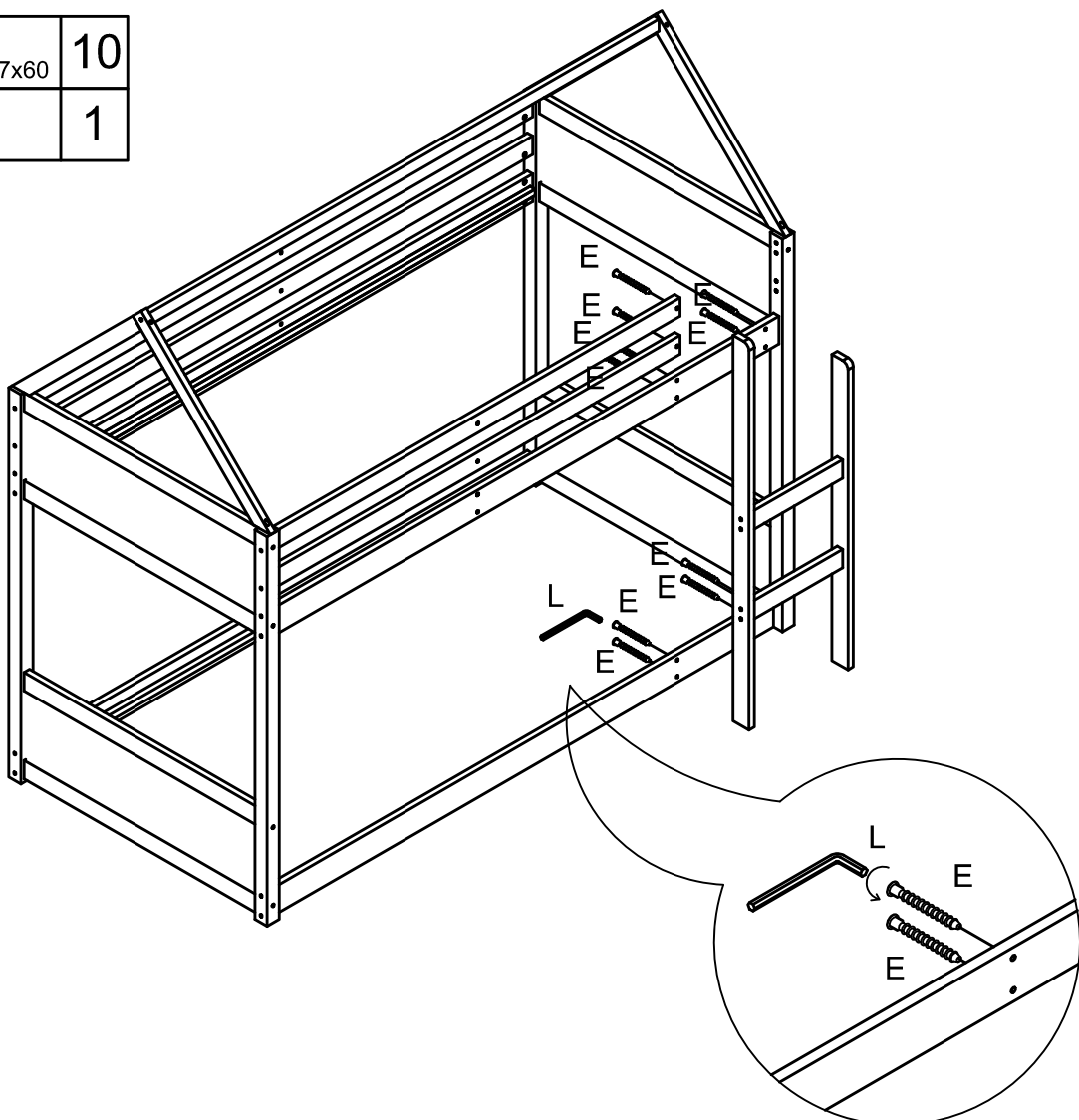
09

E	 m7x60	8
L		1





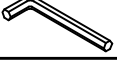
10

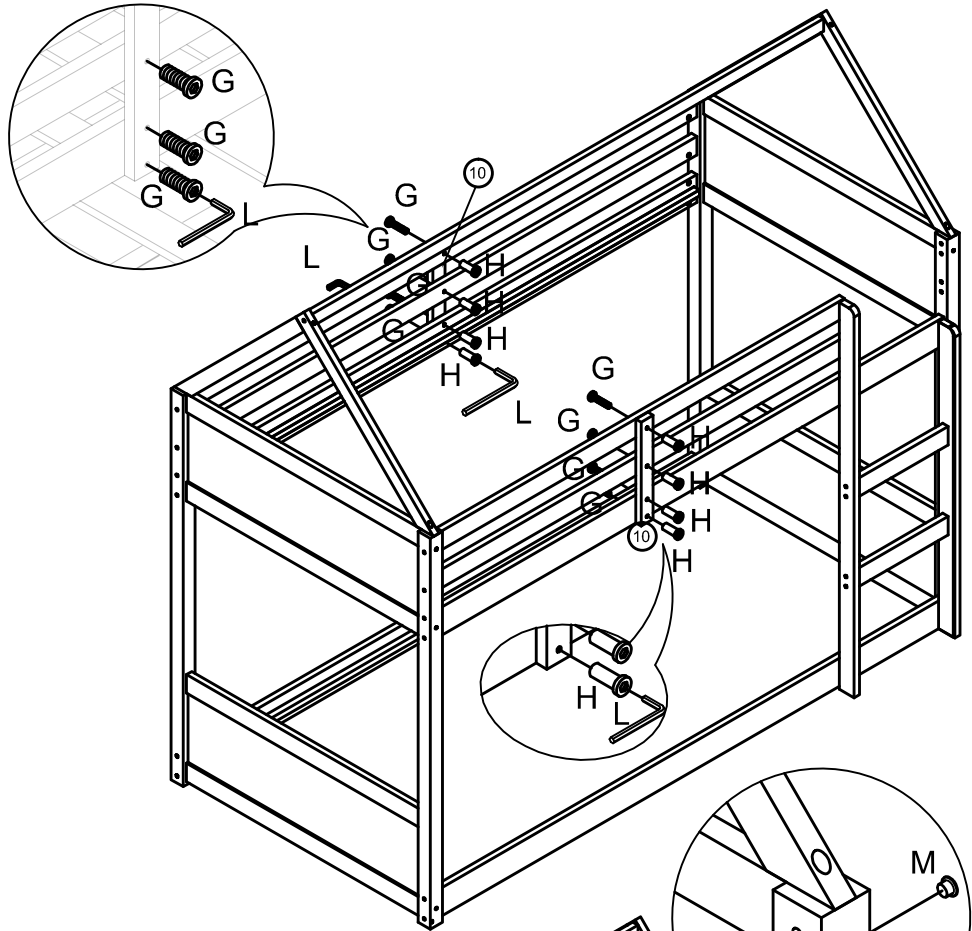
E	 m7x60	10
L		1





version 1

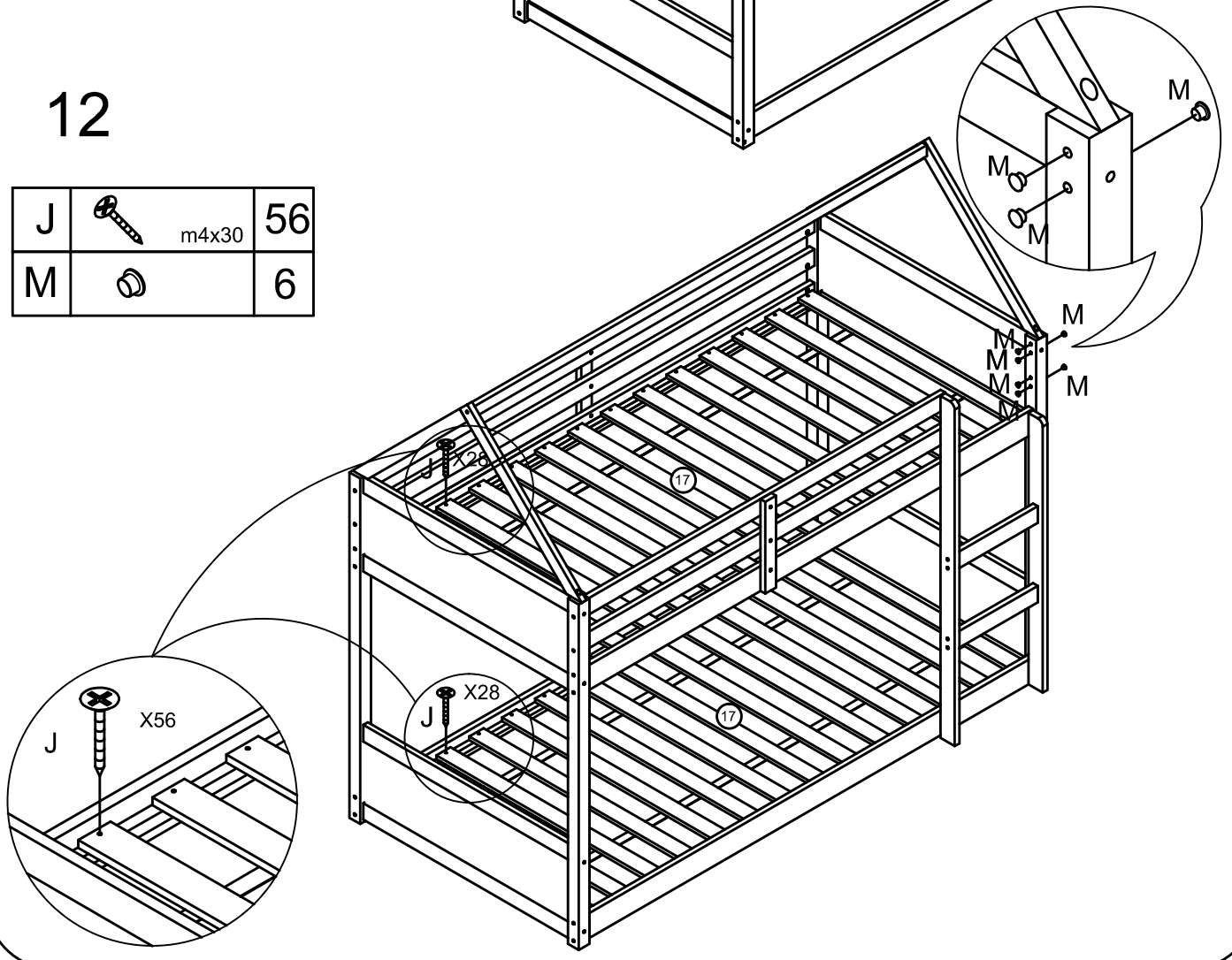
11

G	 m6x30	8
H	 m6x20	8
L		2




12

J	 m4x30	56
M		6






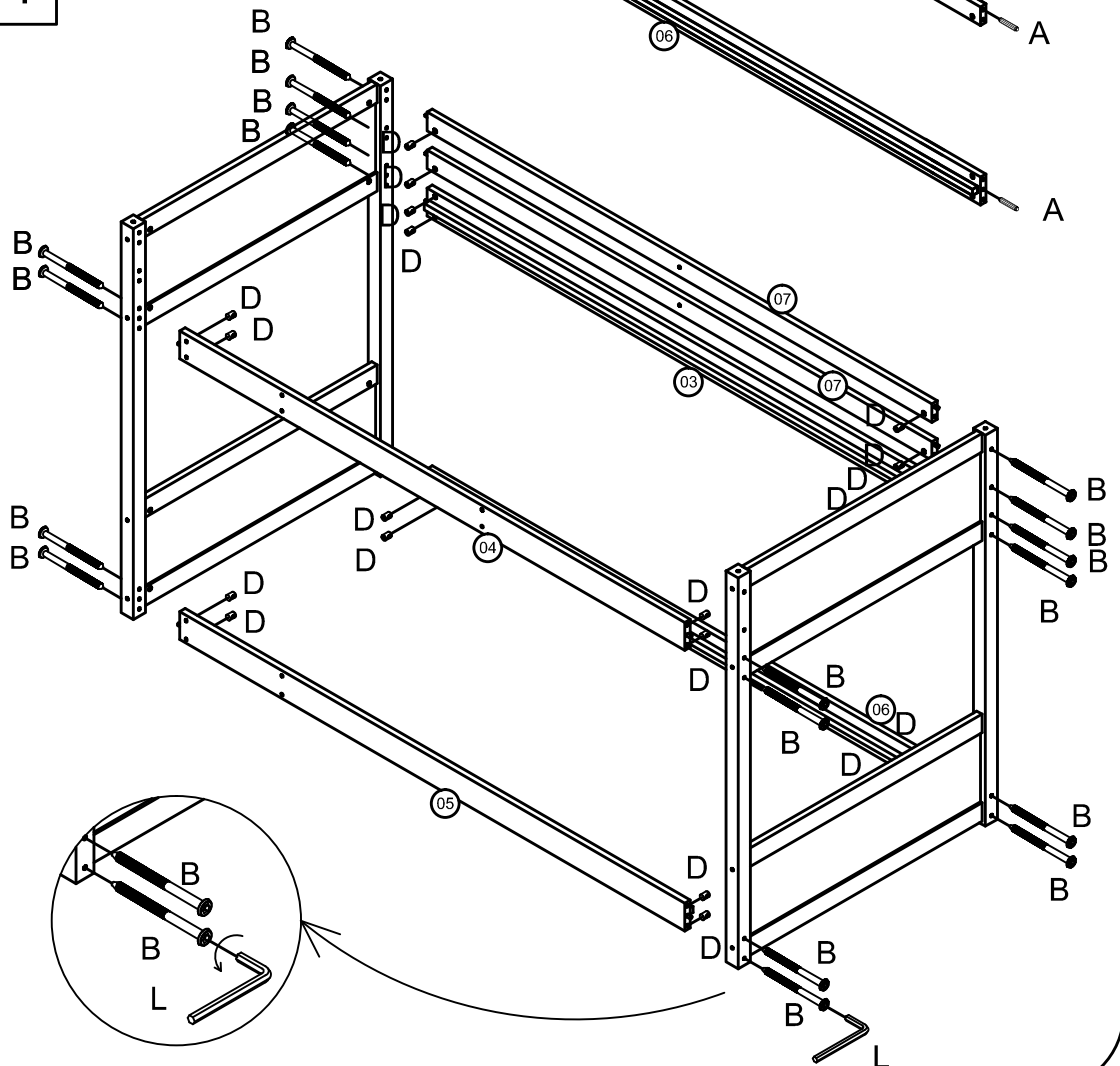
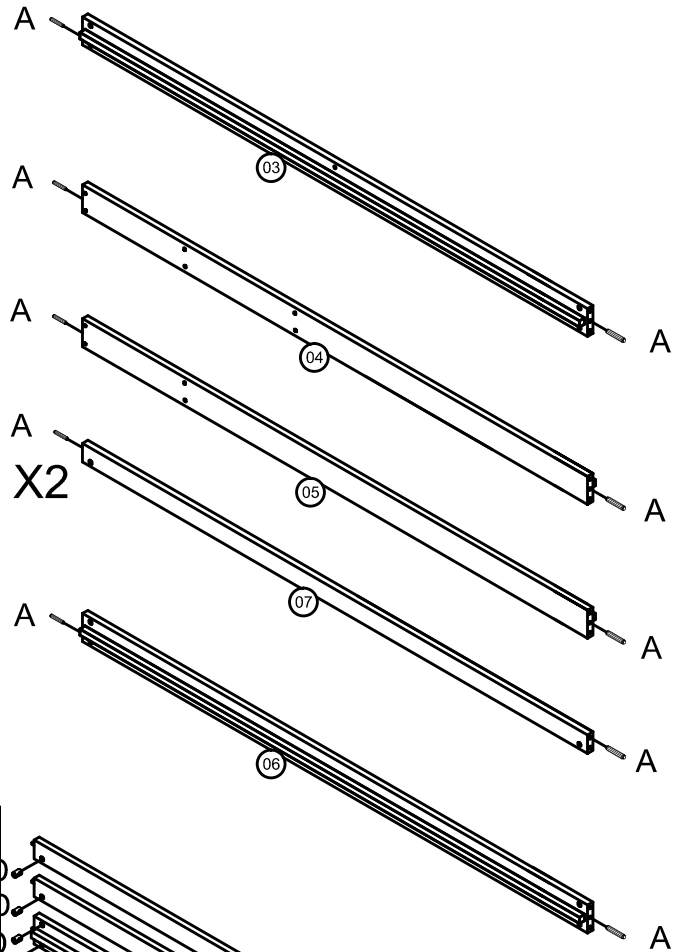
version 2

03

A	 8x30	12
---	--	----

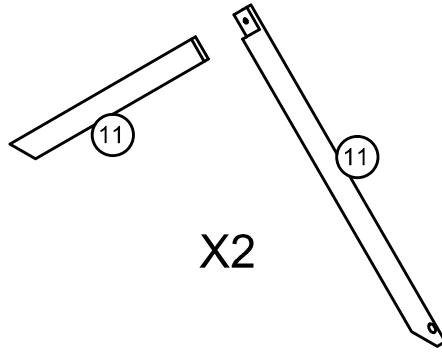
04

B	 m6x90	20
D		20
L		1



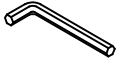


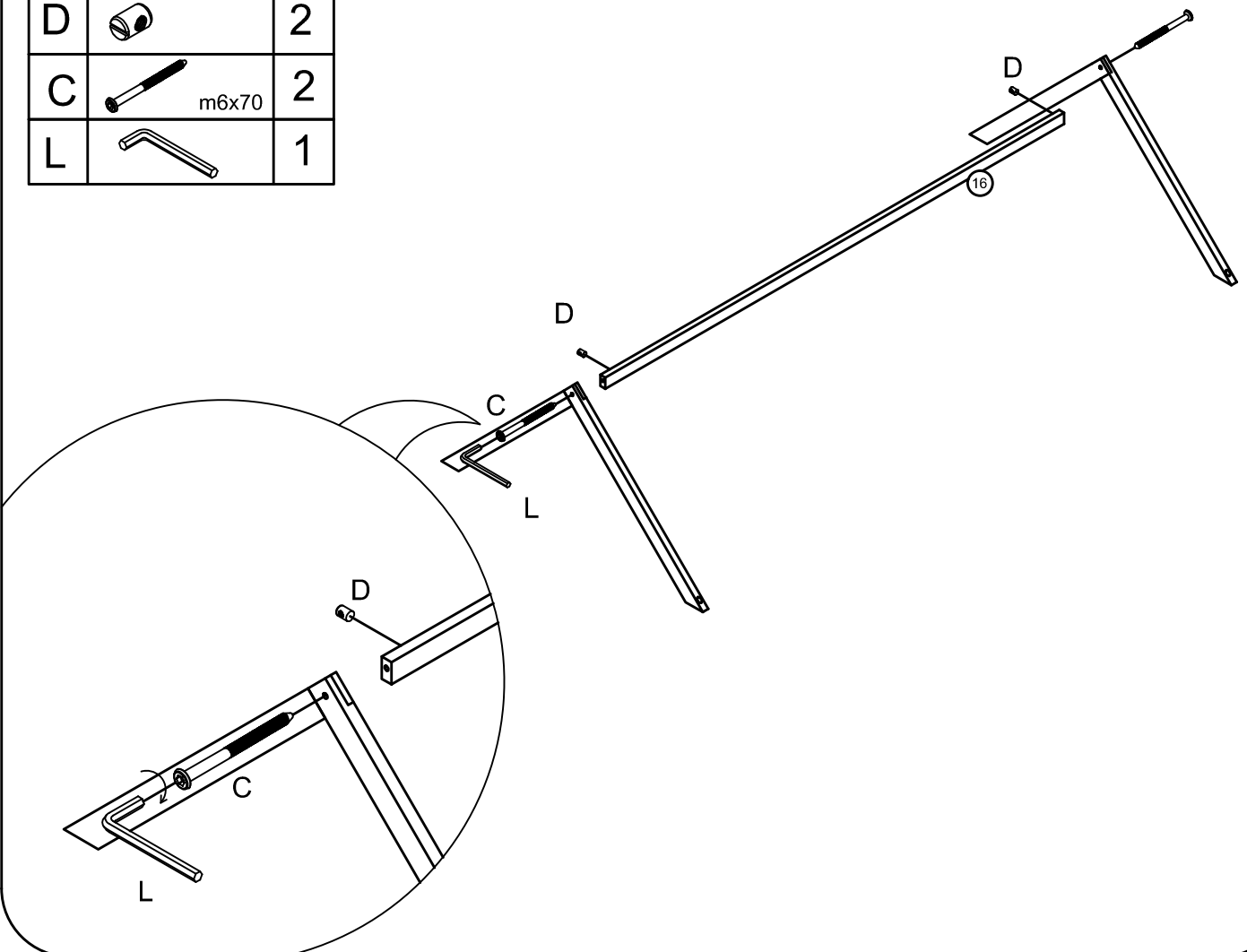
05

version 2



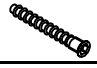

06

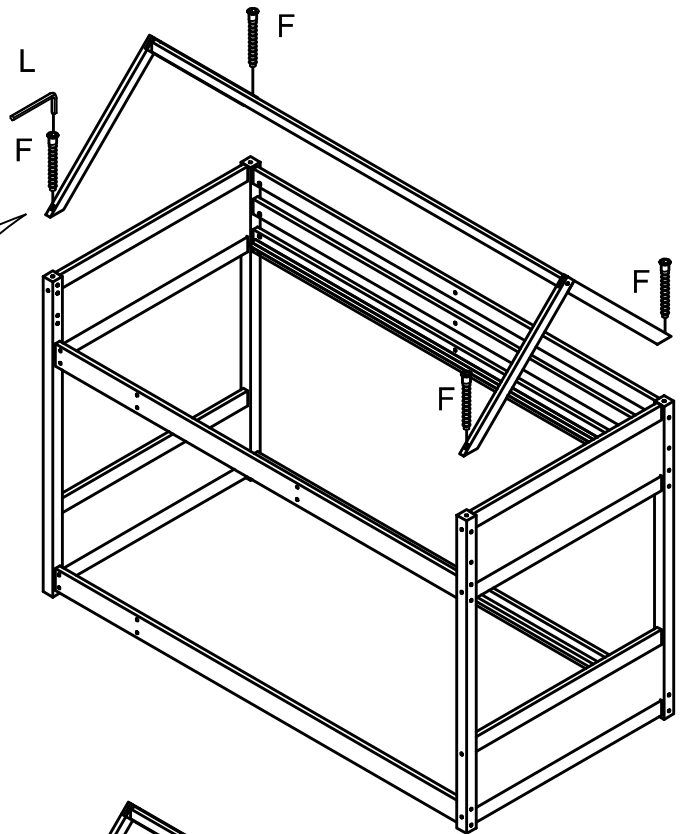
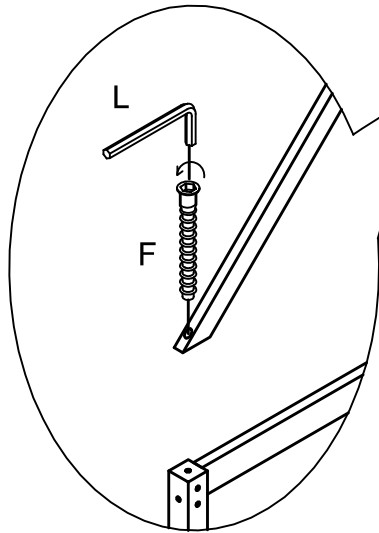
D		2
C	 m6x70	2
L		1





07

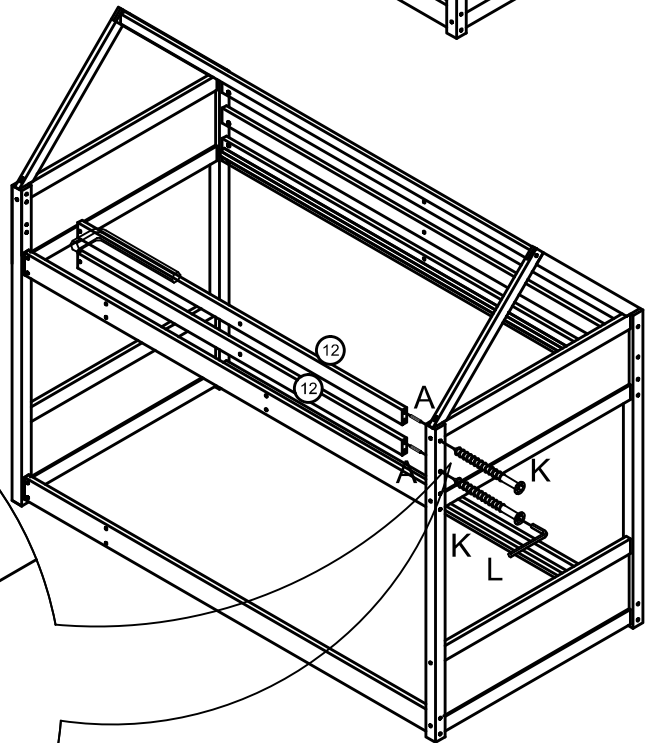
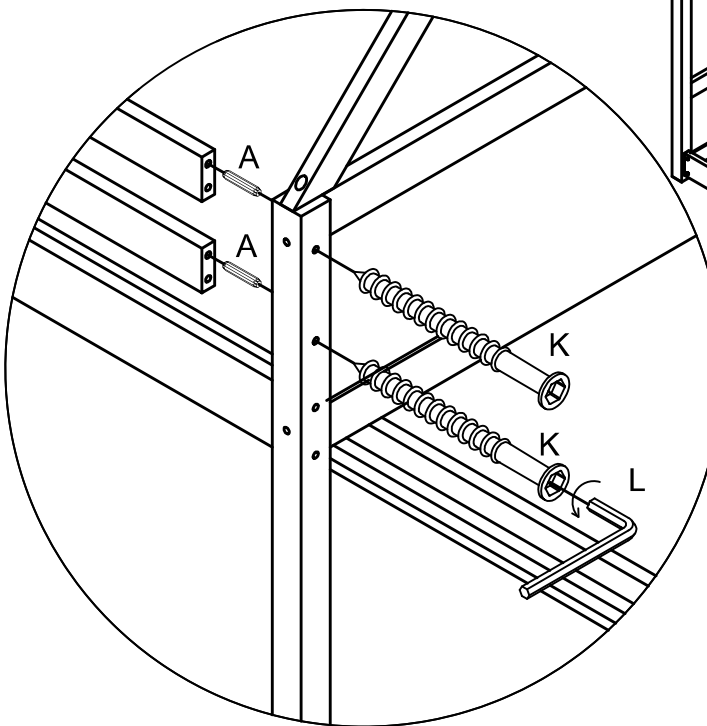
version 2

F	 m7x50	4
L		1





08

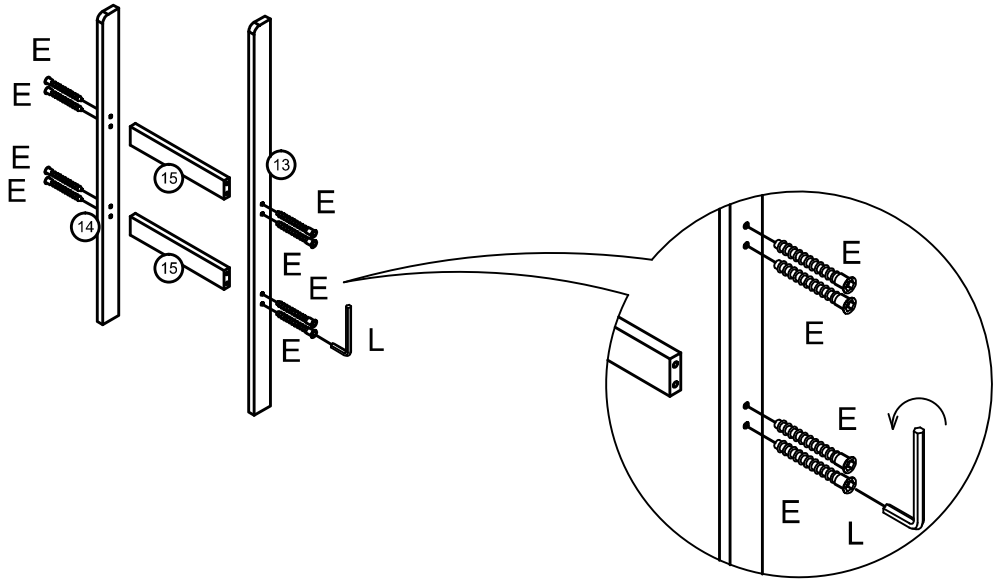
A	 8x30	2
K	 m6x90	2
L		1





version 2

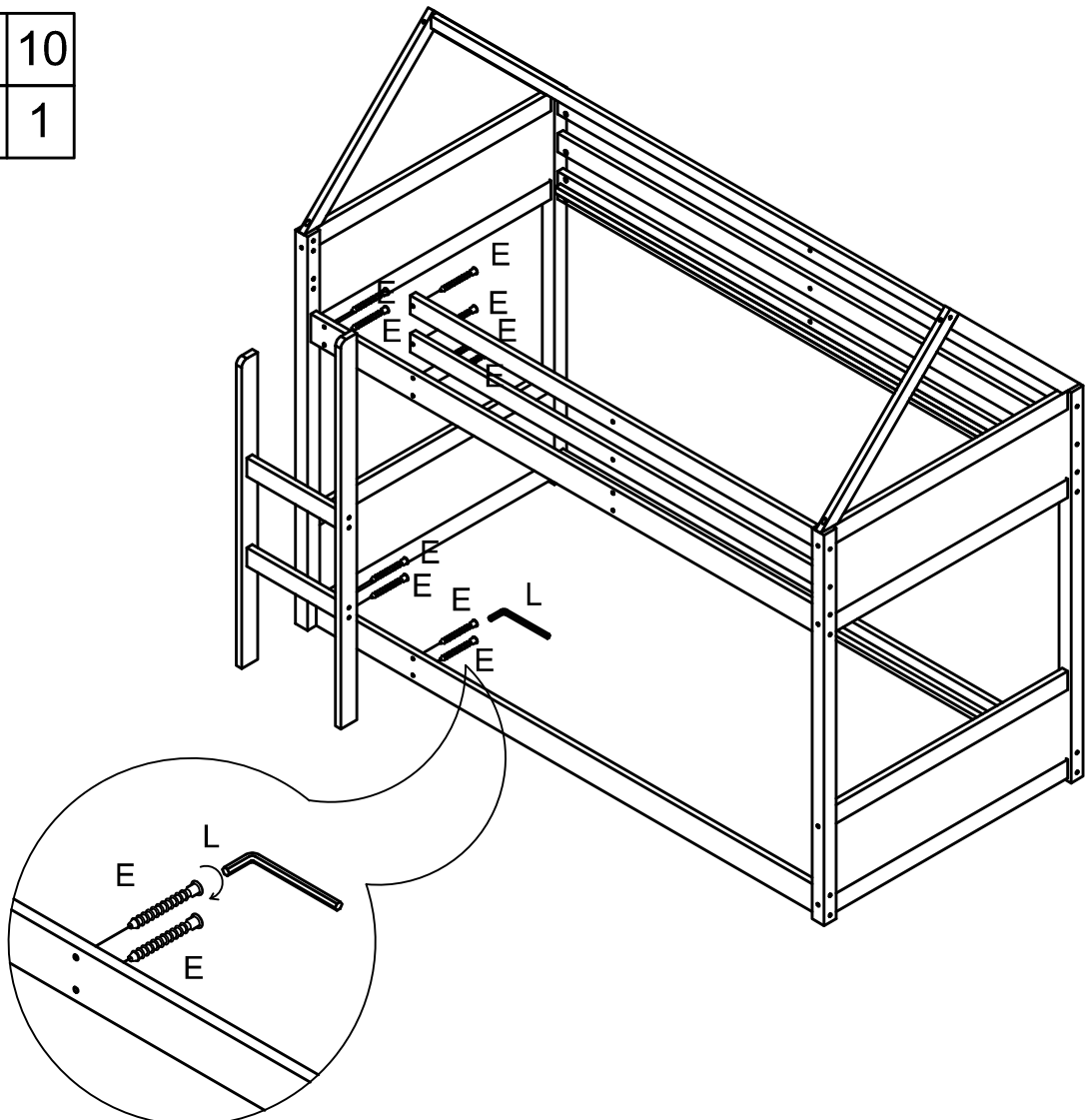
09

E	 m7x60	8
L		1






10

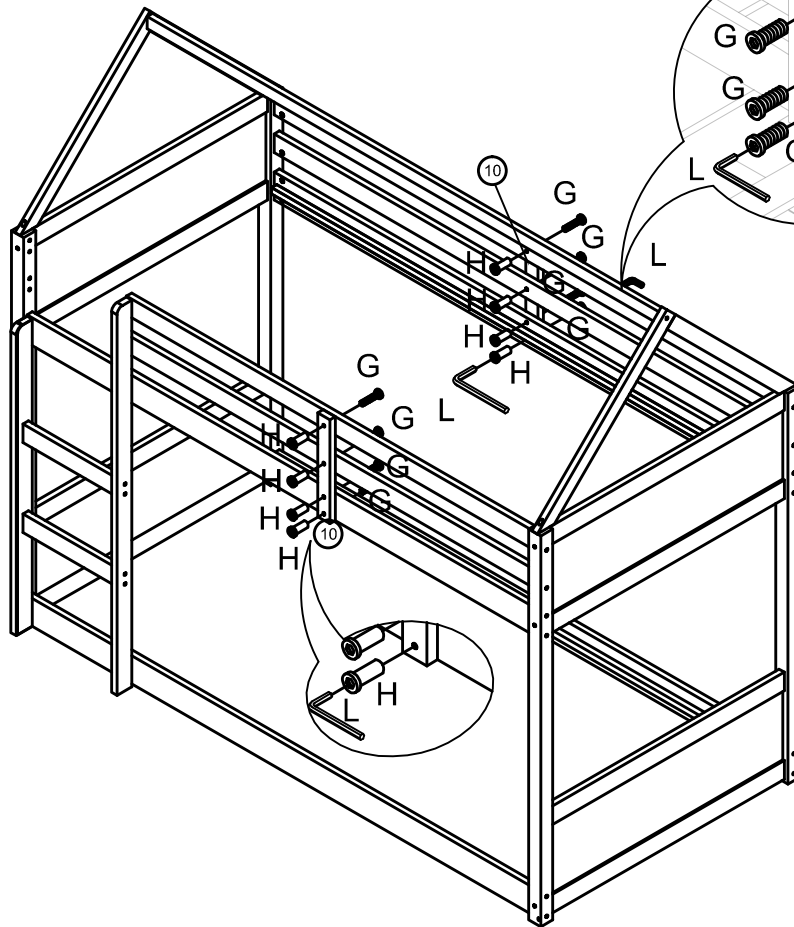
E	 m7x60	10
L		1





version 2

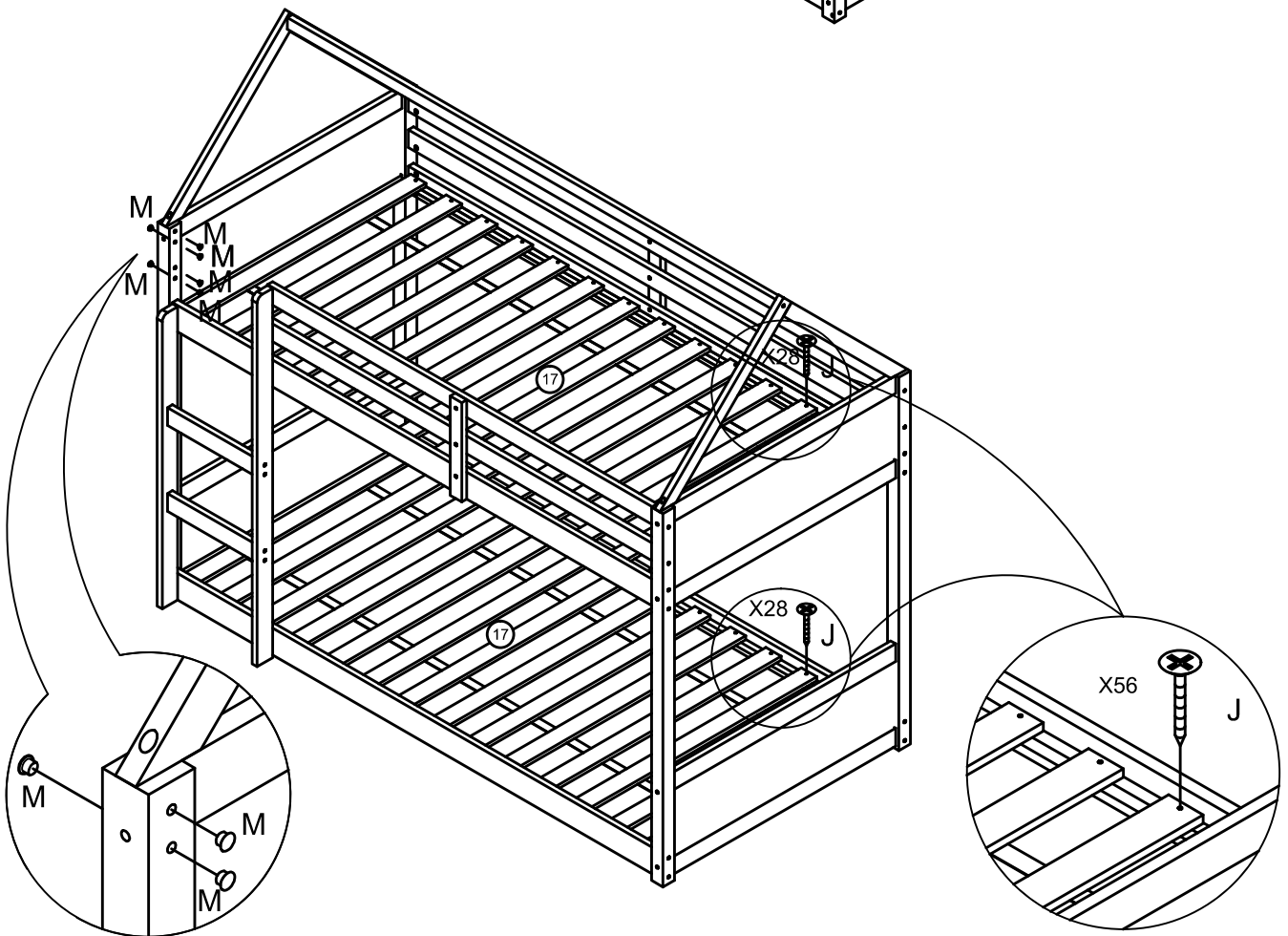
11

G	 m6x30	8
H	 m6x20	8
L		2



12

J	 m4x30	56
M		6



IMPORTANT-READ CAREFULLY-RETAIN FOR FUTURE REFERENCE

1. All bunk beds and high beds intended to be assembled by someone other than the manufacturer or their representative shall contain assembly instructions including a list of the parts supplied and details of any tools required to assemble the bed.
2. All assembling fastenings should always be tightened properly and the care should be taken that no fittings are loose.
3. The maximum thickness of the mattress should not exceed the marking on the upper bed and the maximum thickness of the mattress should be below **10.0cm**
4. Recommend sizes of the mattress: **L190×W90×H10.0cm**
5. The bunk bed or the high bed should not be used if any structural part is broken or missing.
6. Children can strangle in items such as ropes, strings, cords, harnesses and belts attached to or hung on a bunk bed/high bed
7. **WARNING:** Children can become trapped between the bed and wall. To avoid risk of serious injury the distance between the top safety barrier and the wall shall not exceed 75mm or shall be more than 230mm
8. **WARNING:** High bed and the upper bed of the bunk bed are not suitable for children under 6 years due to the risk of injury from falls.
9. EN 747-1:2012