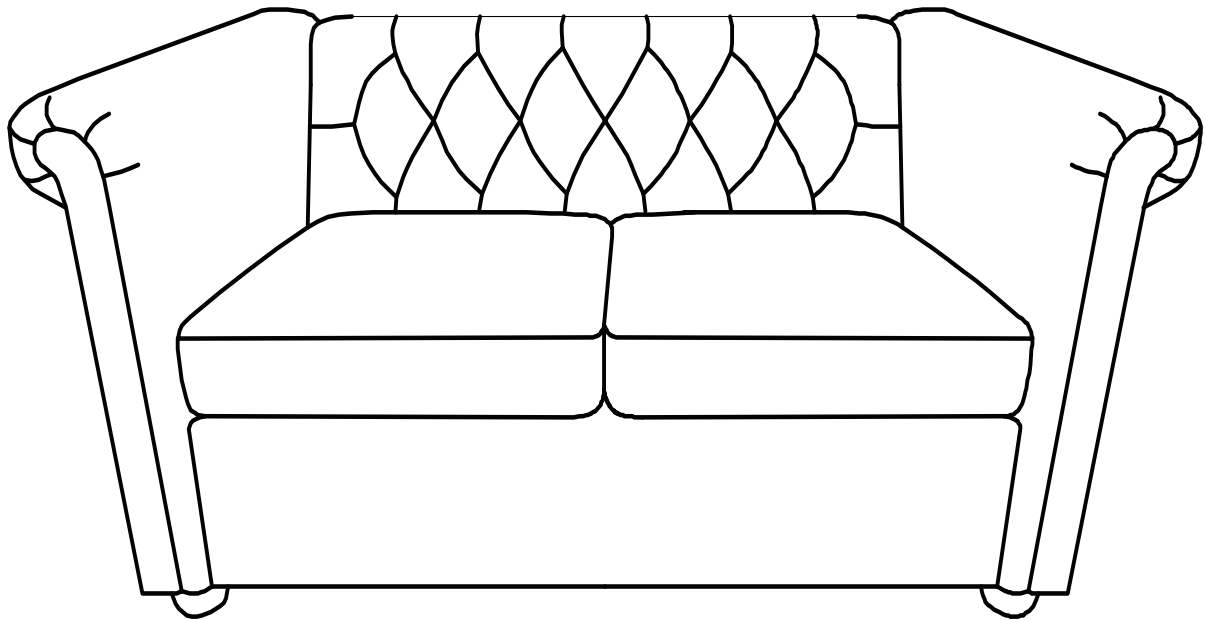
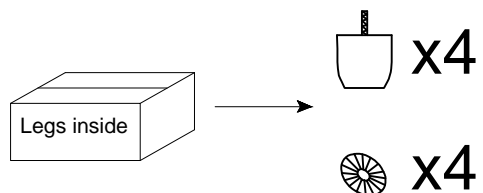
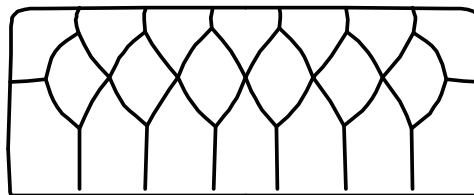
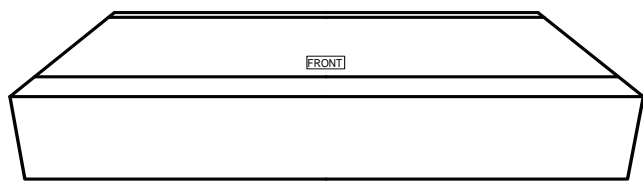


# ASSEMBLY INSTRUCTION

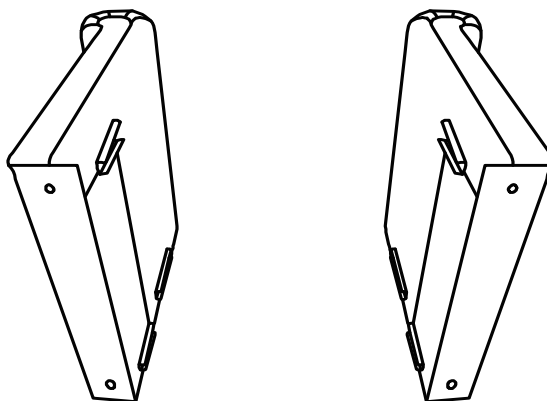
60050/60053/  
60056



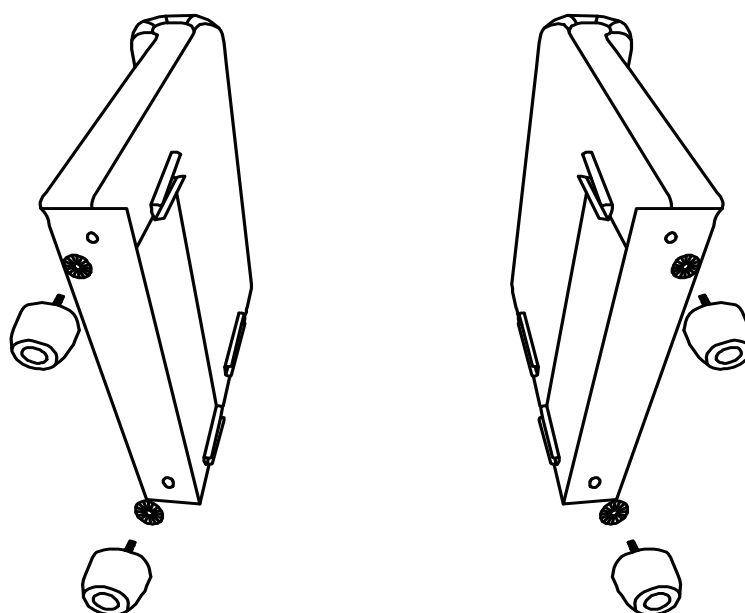
**Box 1/2: SEAT + BACK + LEGS**



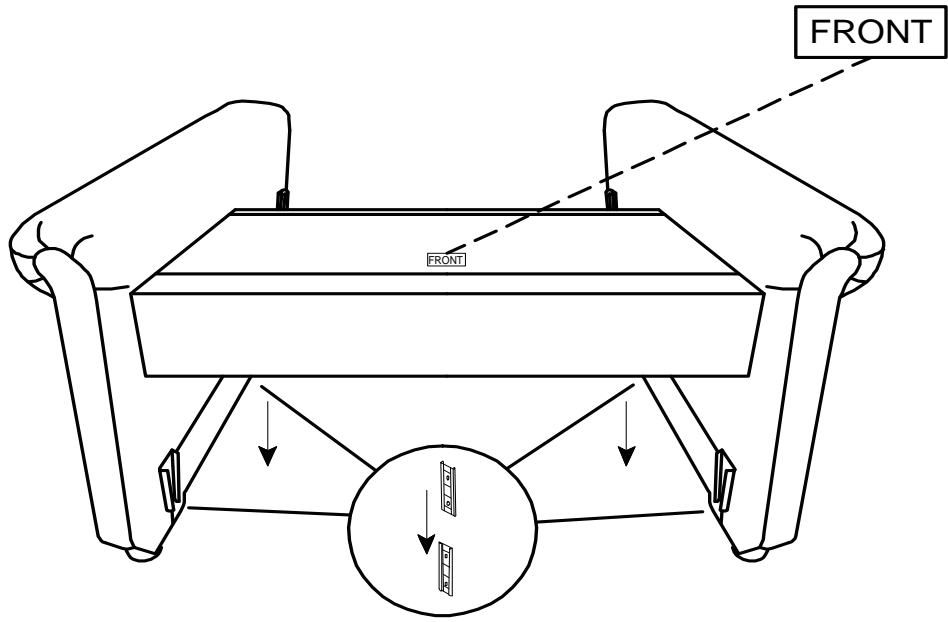
**Box 2/2: ARMREST**



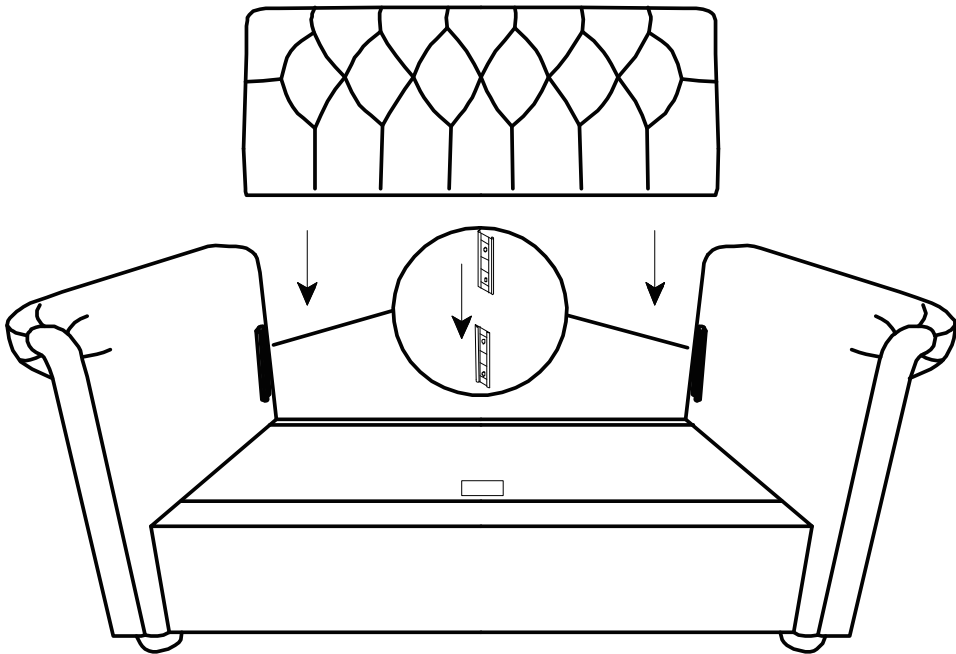
1



2



3



4

