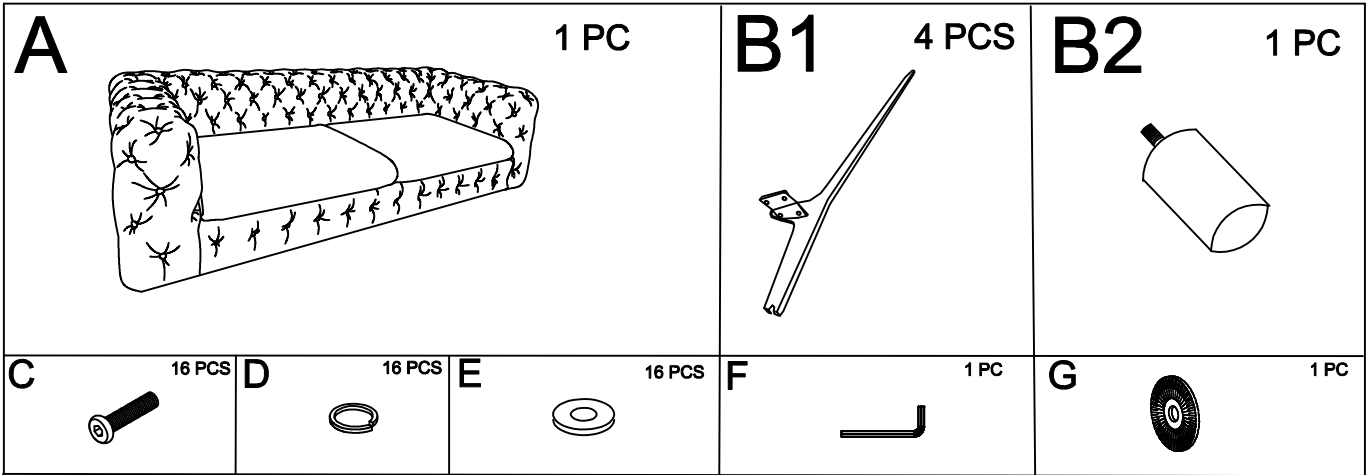
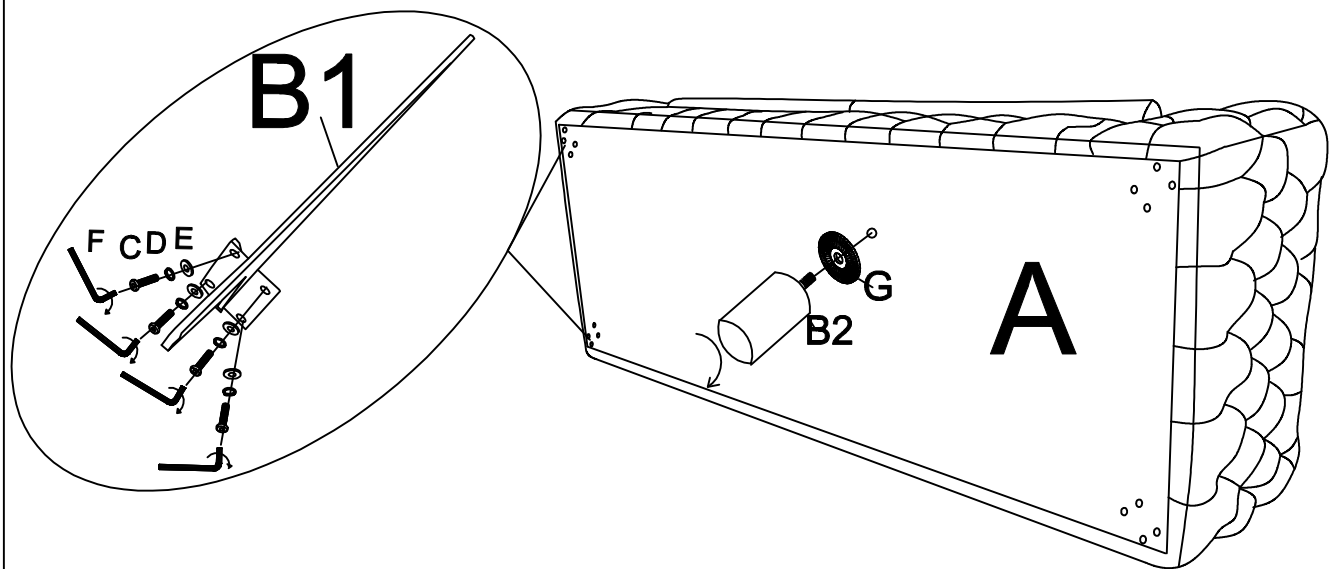


# ASSEMBLY INSTRUCTION



## STEP-1



## STEP-2

