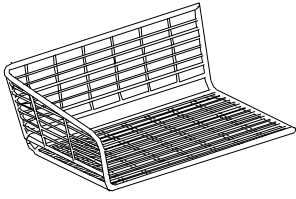
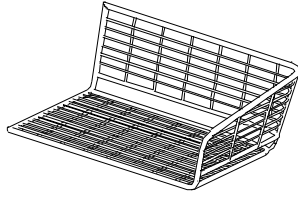


A Right Corner



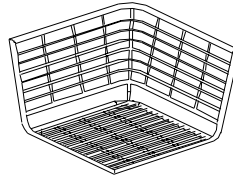
(1 pc)

B Left Corner



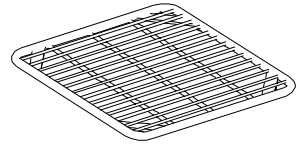
(1 pc)

C Corner



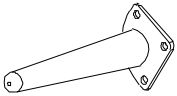
(1 pc)

D Table



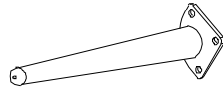
(1 pc)

E Leg



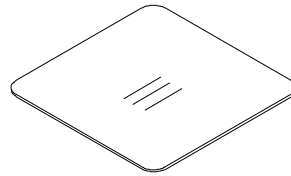
(5 pcs)

F Leg



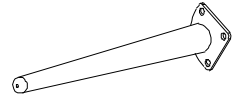
(7 pcs)

G Table



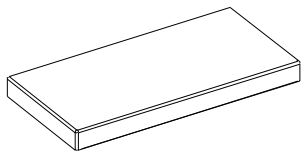
(1 pc)

H Table



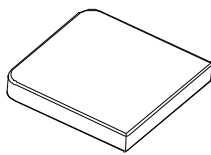
(4 pcs)

I Cushion



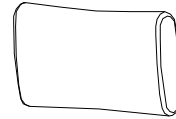
(2 pcs)

J Corner Cushion



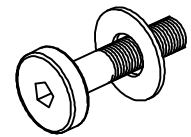
(1 pc)

K Back Cushion



(6 pcs)

L



Bolt M6x15mm
(48 pcs)

M Allen Key



(1 pc)

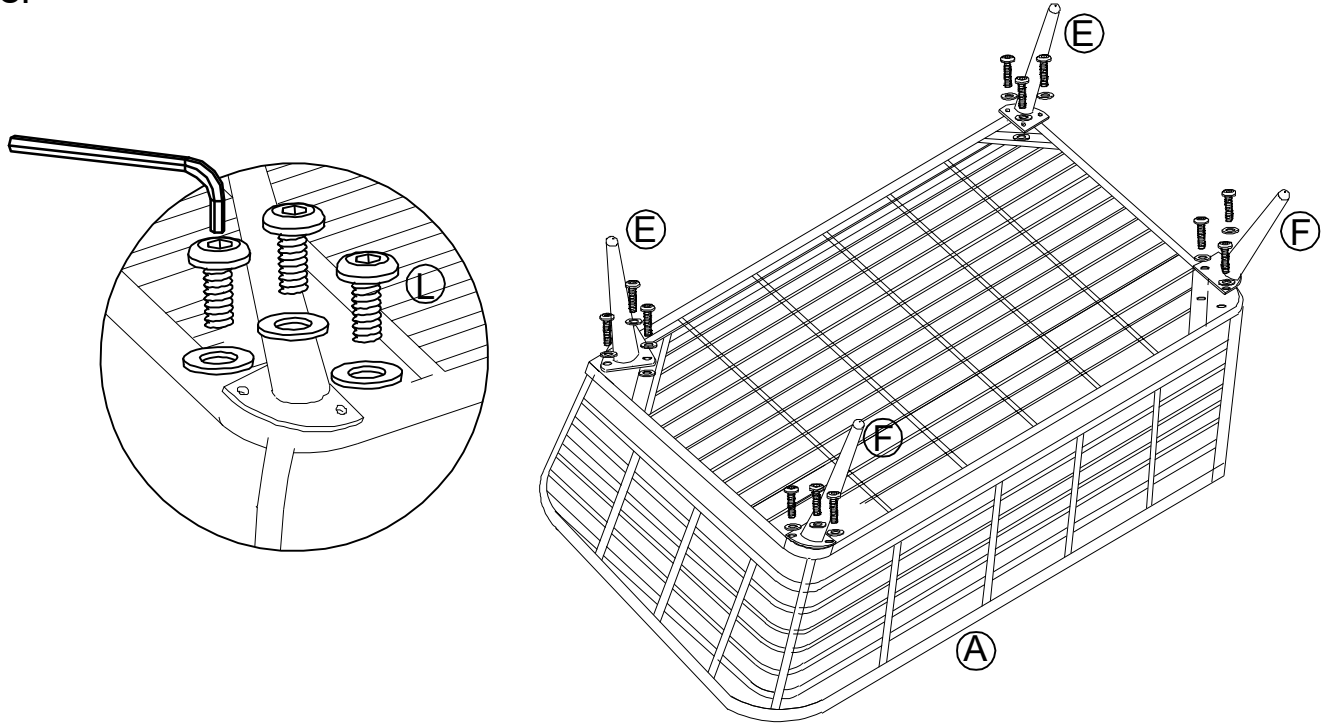
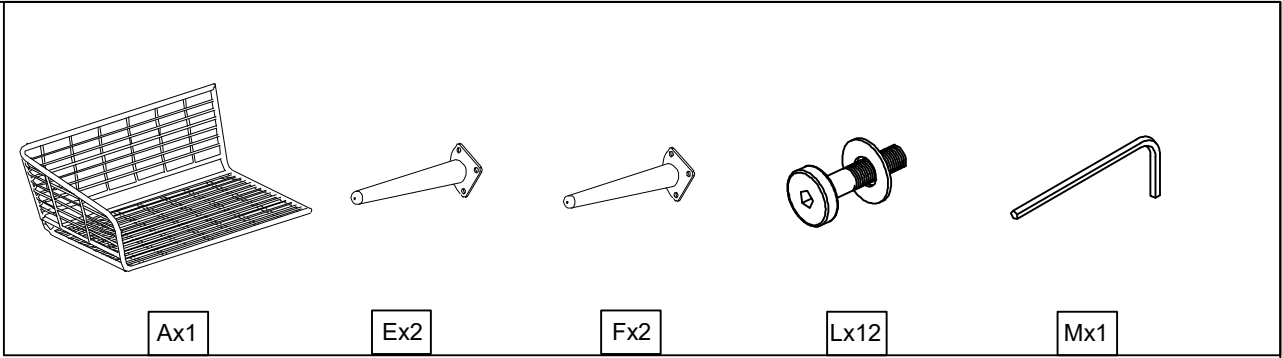
N Connector



(2 pcs)

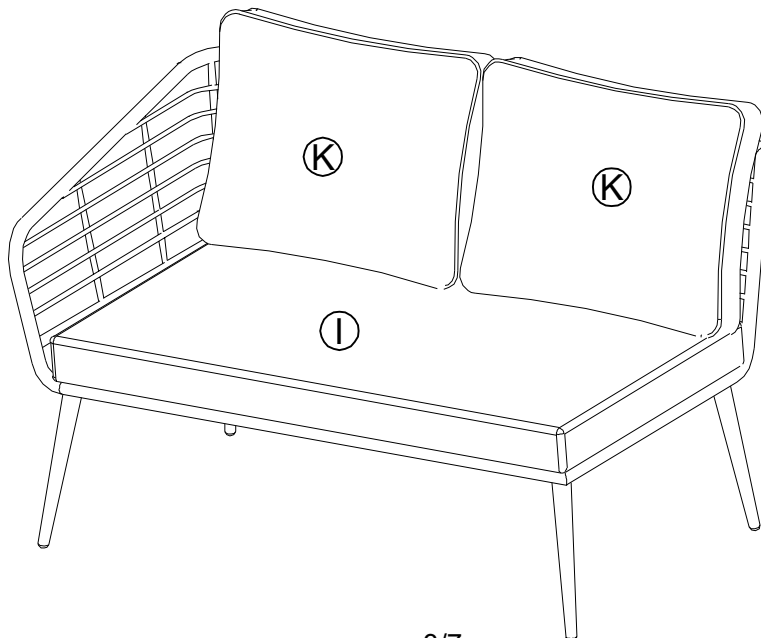
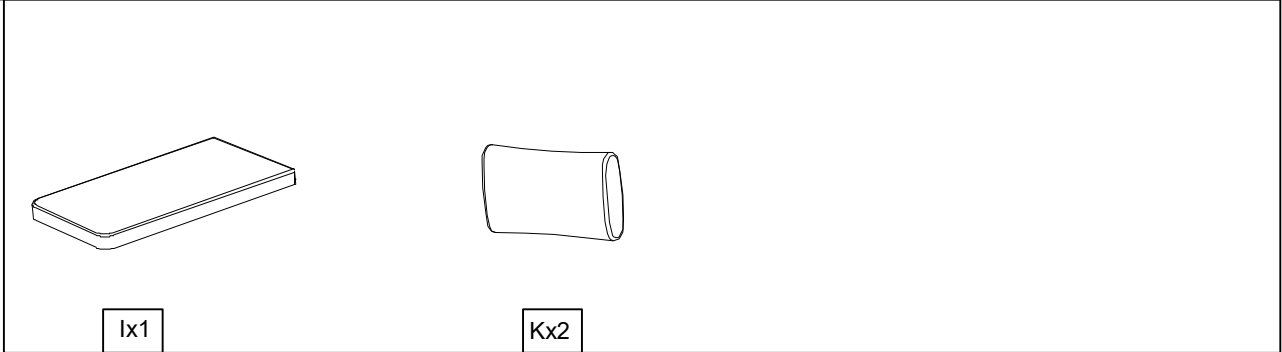
1

Right
Corner

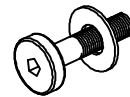
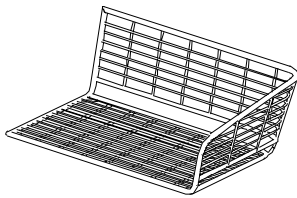


2

Right
Corner



3



Left Corner

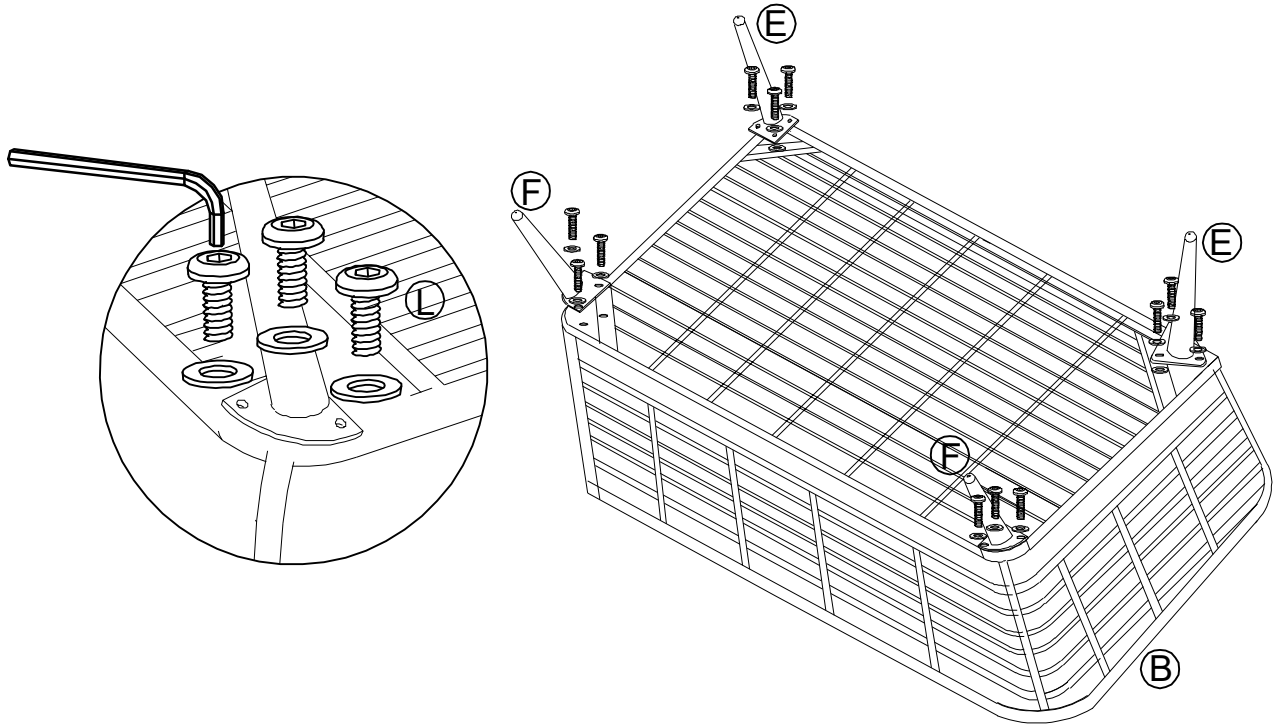
Bx1

Ex2

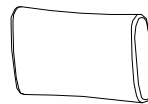
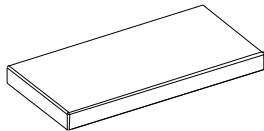
Fx2

Lx12

Mx1



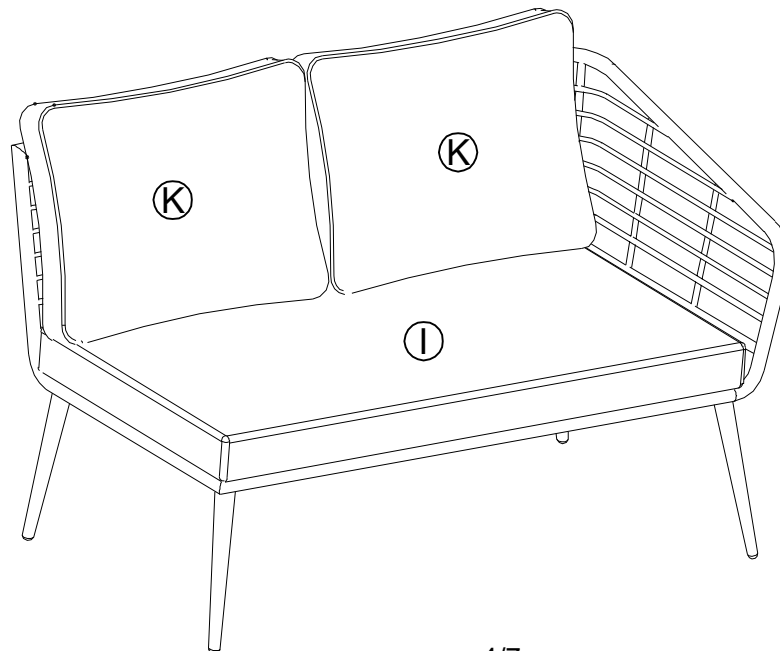
4



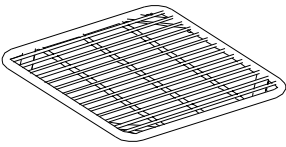
Left Corner

Ix1

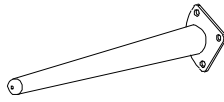
Kx2



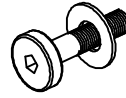
5



Dx1



Hx4

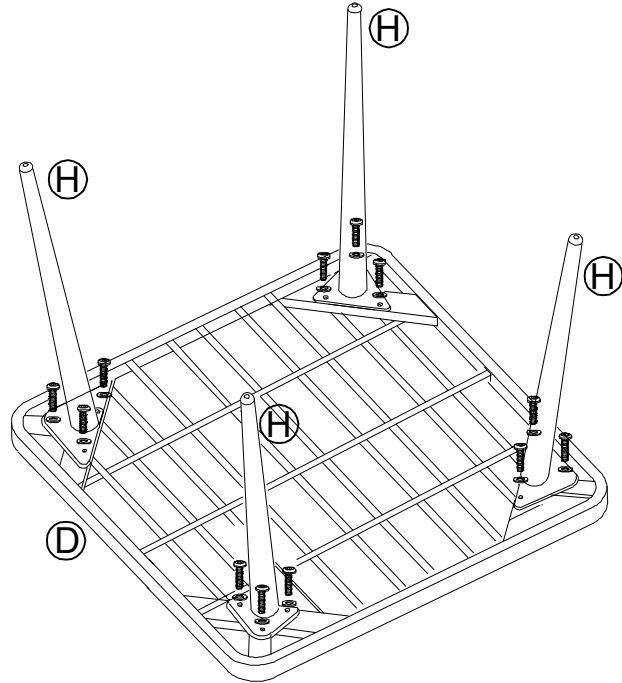
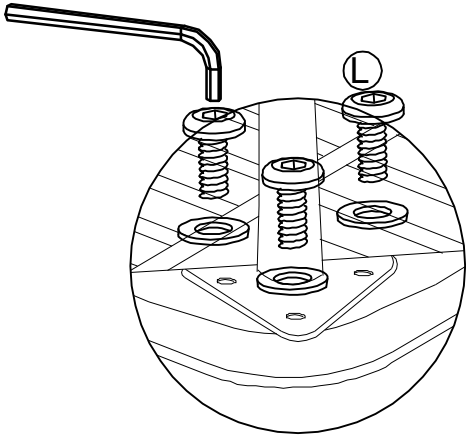


Lx12

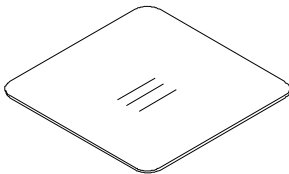


Mx1

Table

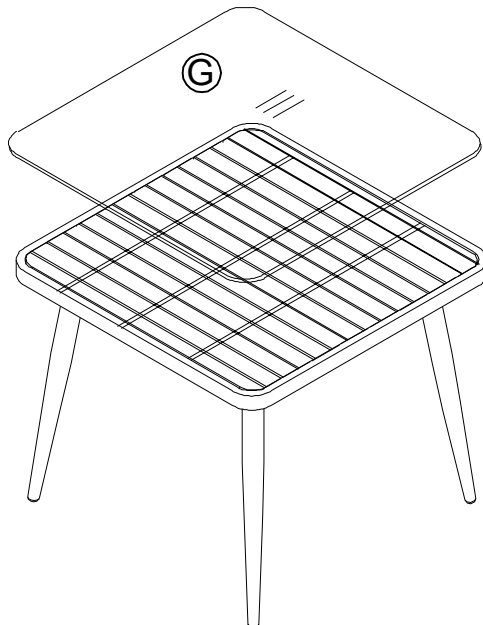


6

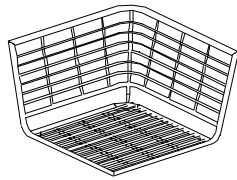


Gx1

Table



7



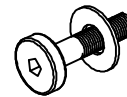
Cx1



Ex1



Fx3

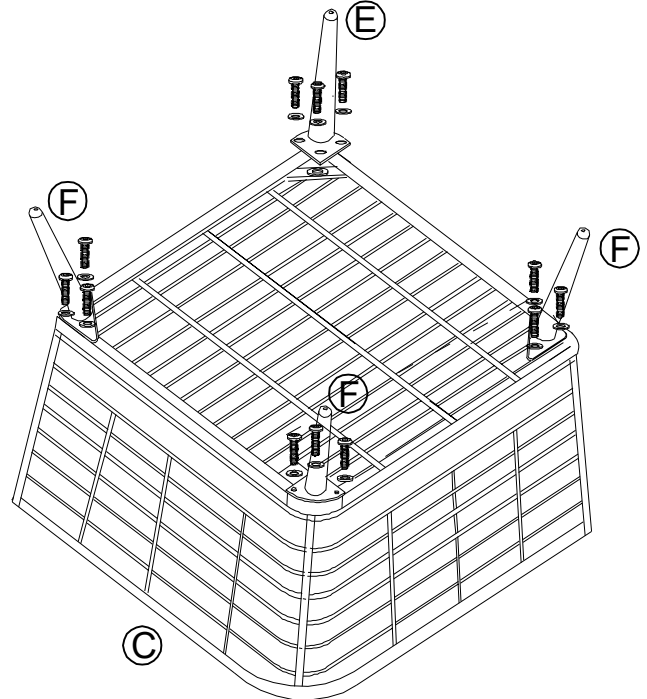
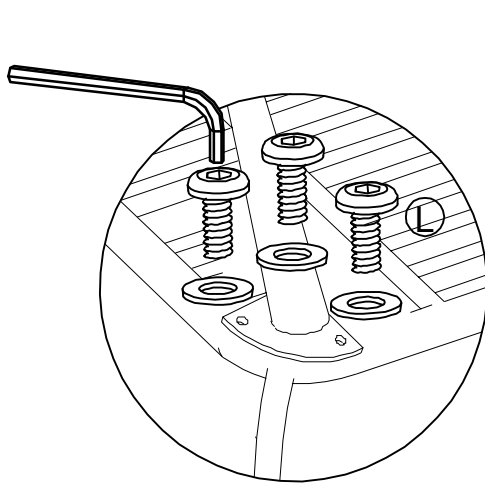


Lx12

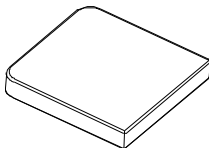


Mx1

Corner



8

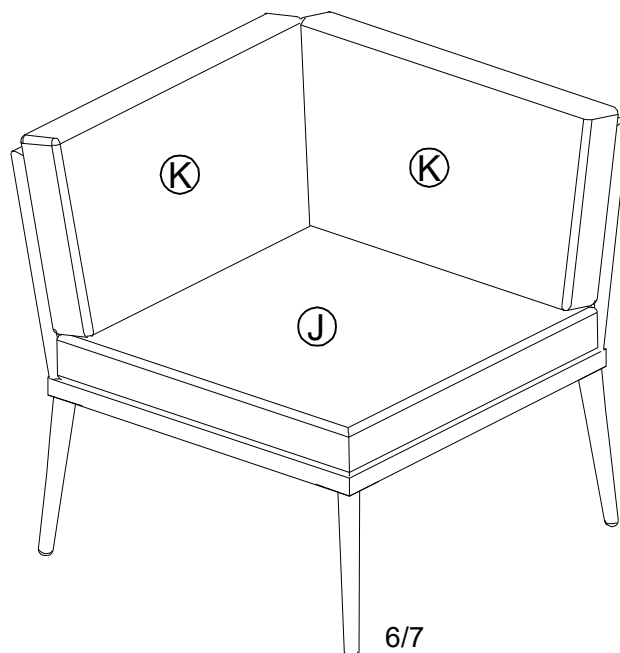


Jx1



Kx2

Corner



9



Nx2

Sectional

