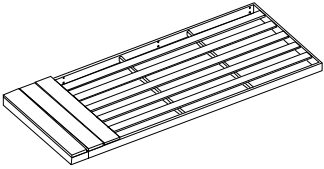
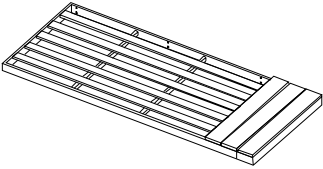
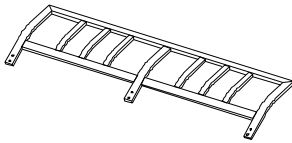
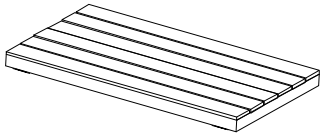
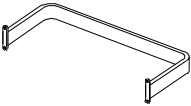
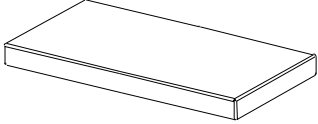
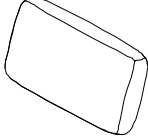
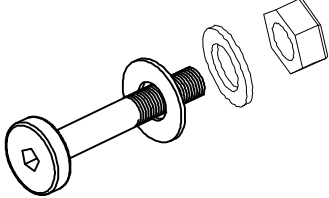
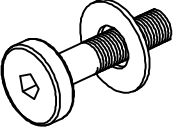

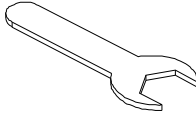
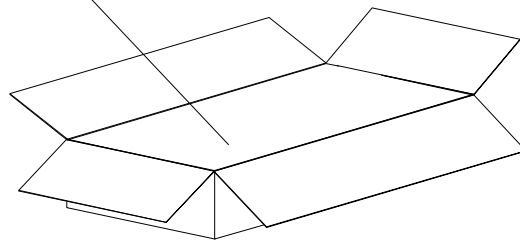
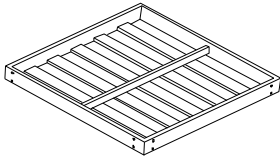
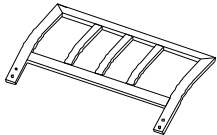
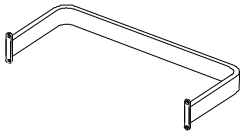
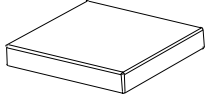
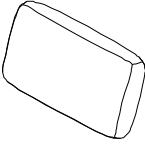
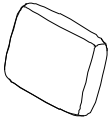
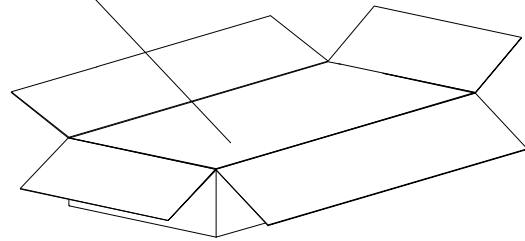


<p><b>A</b> Right Love Corner</p>  <p>(1 pc)</p>	<p><b>B</b> Left Love Corner</p>  <p>(1 pc)</p>	<p><b>C</b> Corner Backrest</p>  <p>(2 pcs)</p>	<p><b>D</b> Table</p>  <p>(1 pc)</p>
<p><b>E</b> Table</p>  <p>(2 pcs)</p>	<p><b>F</b> Love Corner Cushion</p>  <p>(2 pcs)</p>	<p><b>G</b> Back Cushion</p>  <p>(4 pcs)</p>	<p><b>H</b></p>  <p>Bolt M6x40mm (20 pcs)</p>
<p><b>I</b></p>  <p>Bolt M6x15mm (32 pcs)</p>	<p><b>J</b></p>  <p>(1 pc)</p>	<p><b>K</b></p>  <p>(1 pc)</p>	



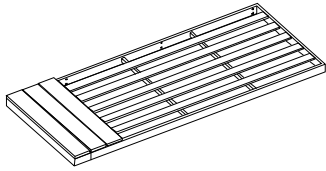
Box 2/2:

<p><b>L</b> Corner</p>  <p>(1 pc)</p>	<p><b>M</b> Corner</p>  <p>(2 pcs)</p>	<p><b>N</b> Corner Leg</p>  <p>(6 pcs)</p>	<p><b>O</b> Corner Cushion</p>  <p>(1 pc)</p>
<p><b>G</b> Back Cushion</p>  <p>(1 pc)</p>	<p><b>P</b> Back Cushion</p>  <p>(1 pc)</p>		

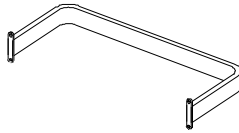


1

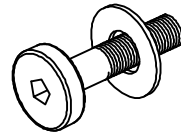
Right Love  
Corner



Ax1



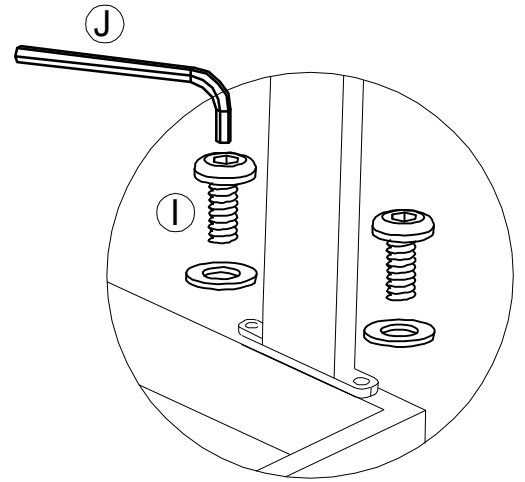
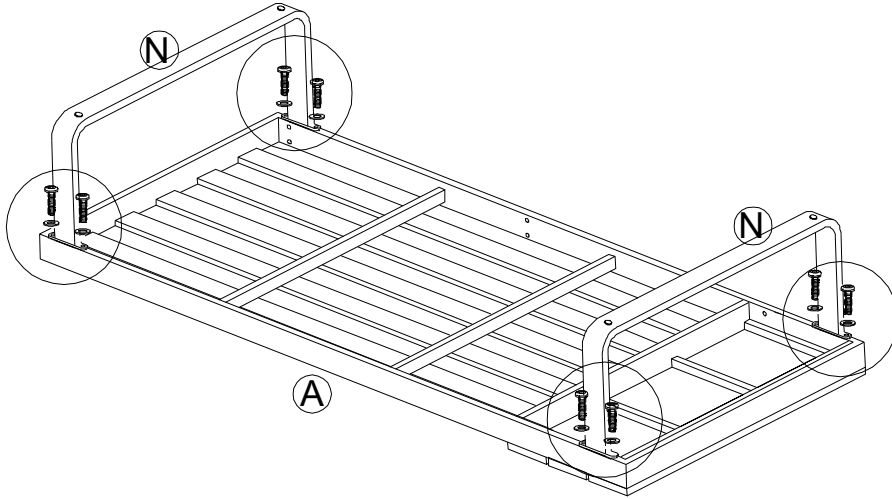
Nx2



lx8

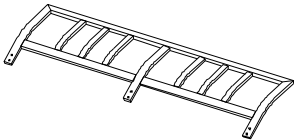


Jx1

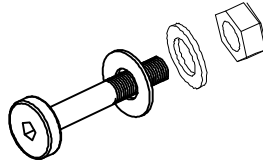


2

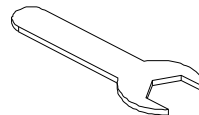
Right Love  
Corner



Cx1



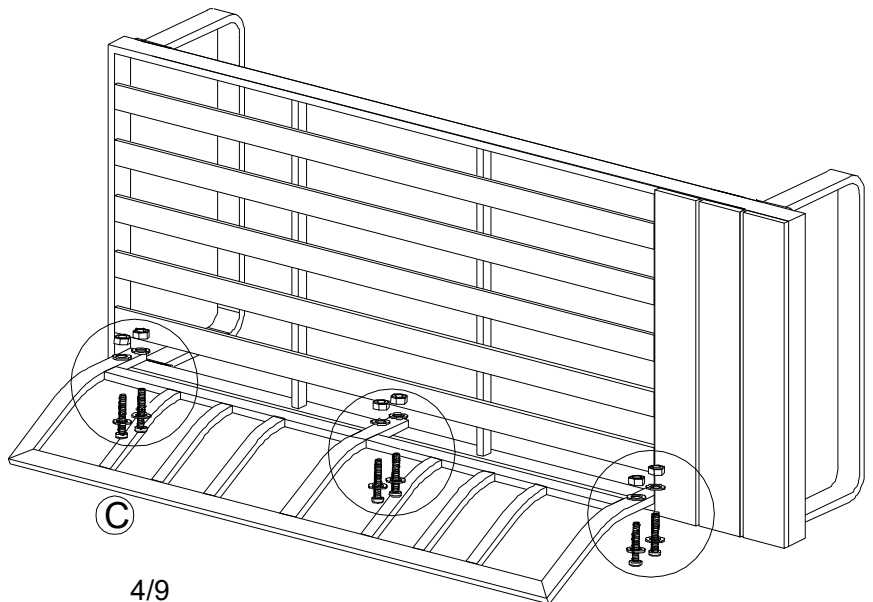
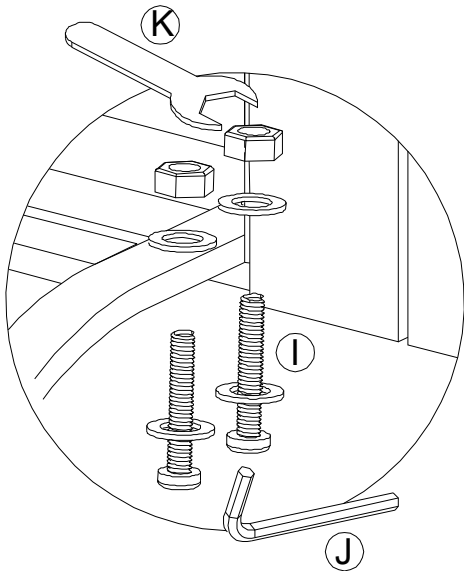
Hx6



Kx1

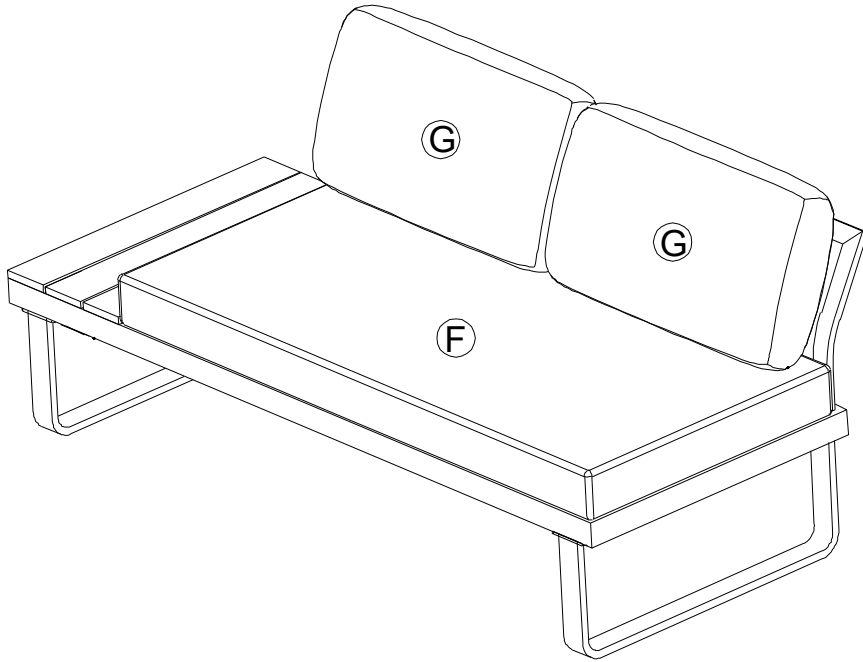
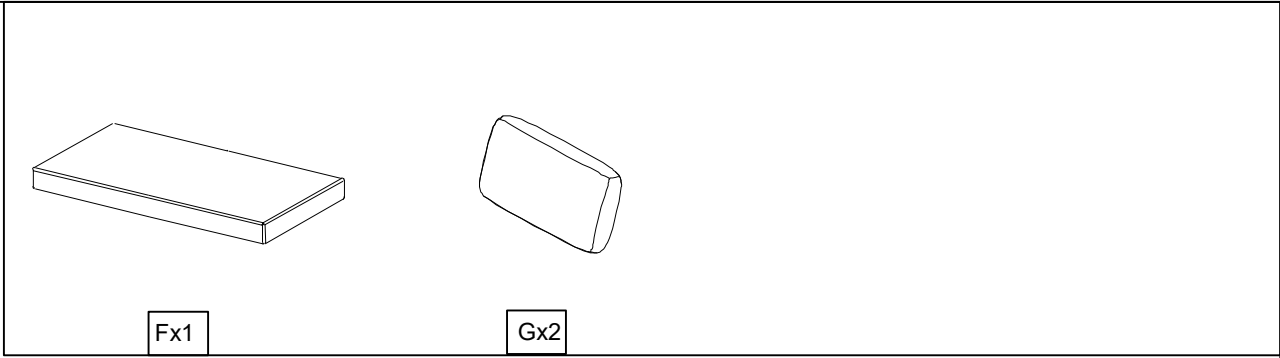


Jx1



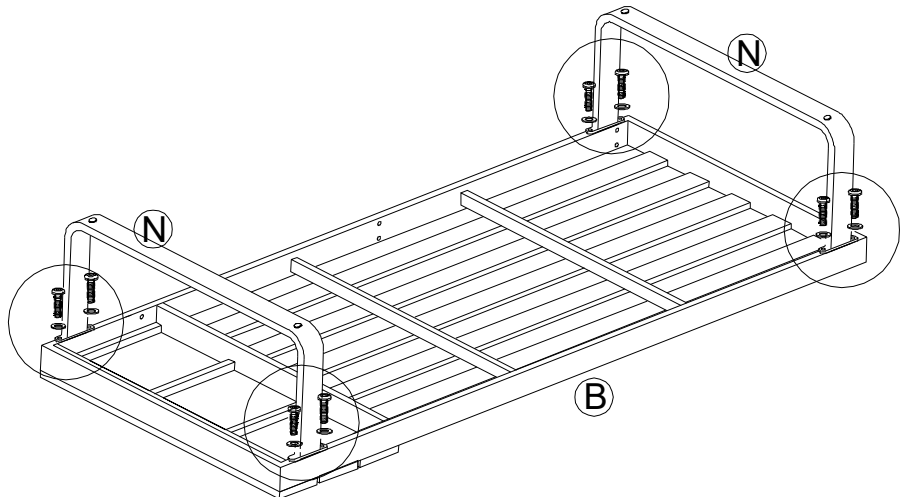
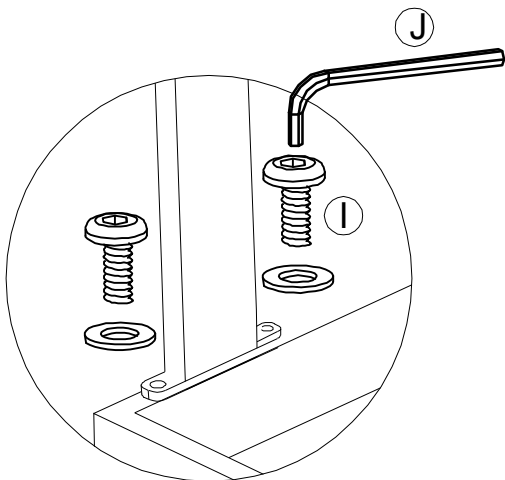
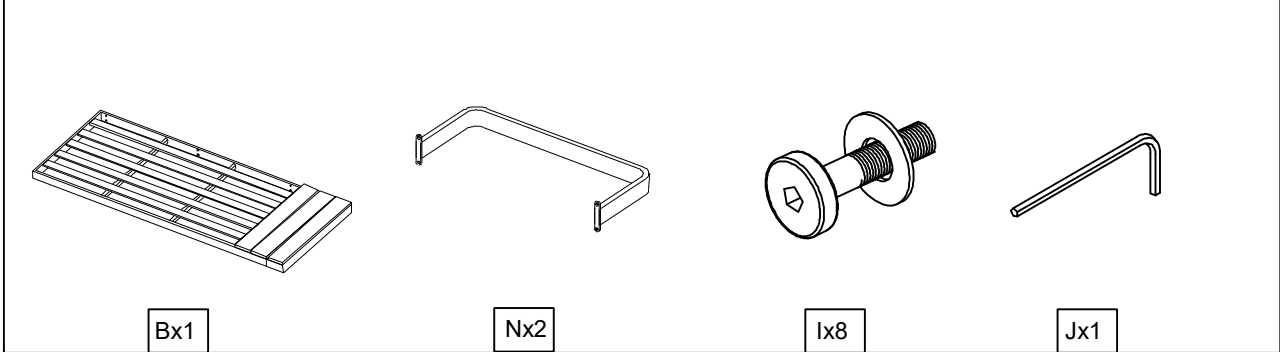
3

Right Love  
Corner



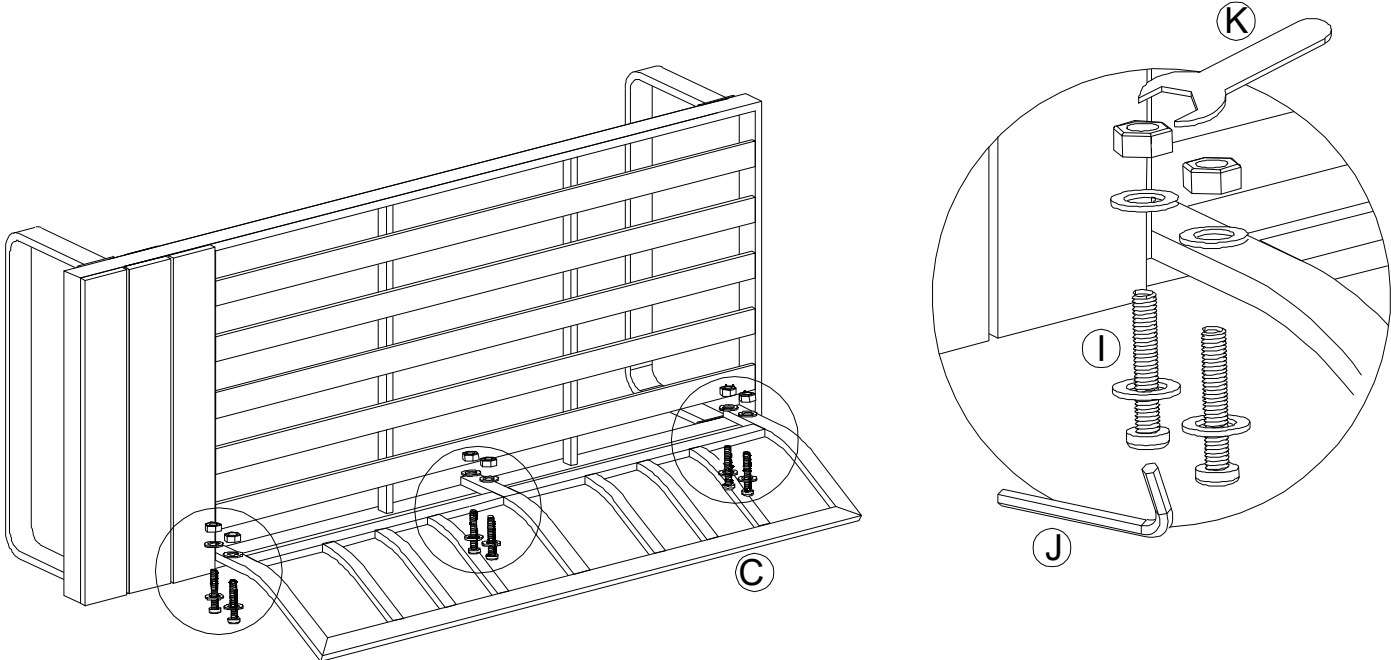
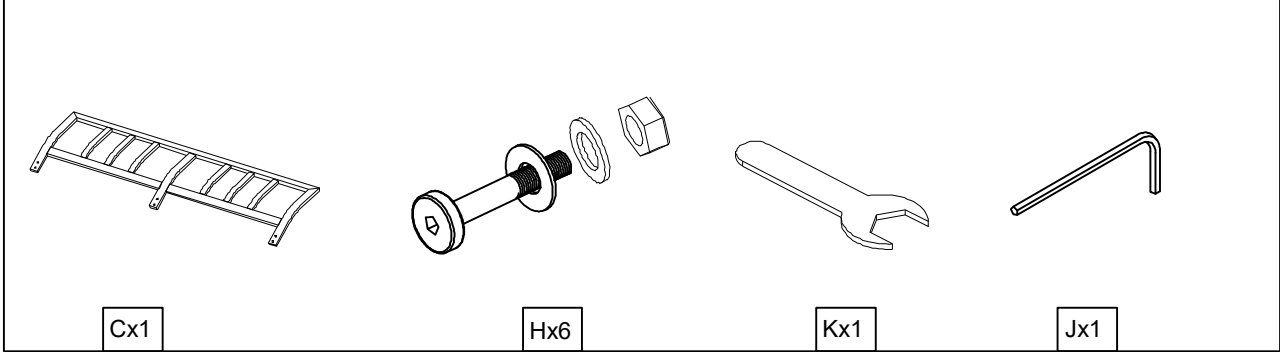
4

Left Love  
Corner



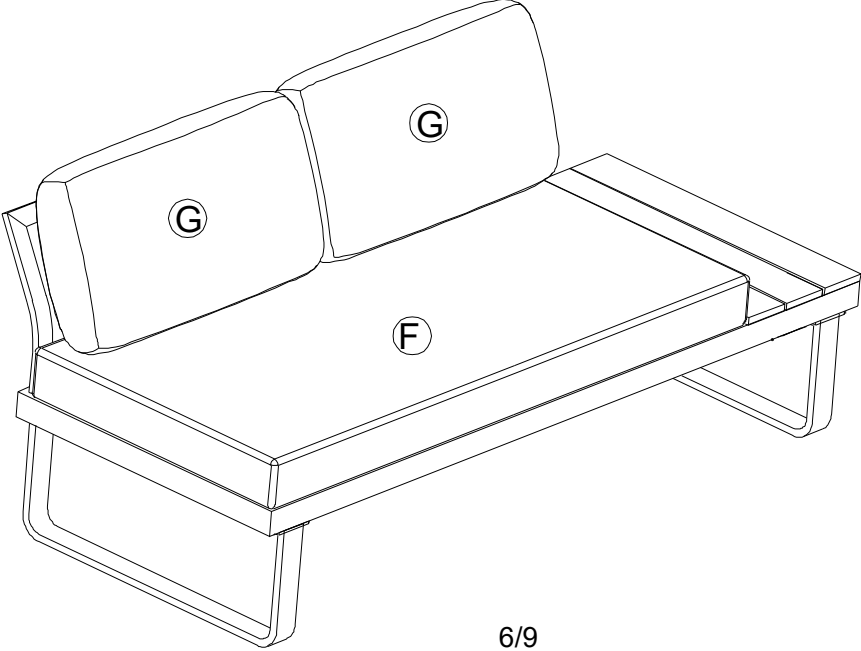
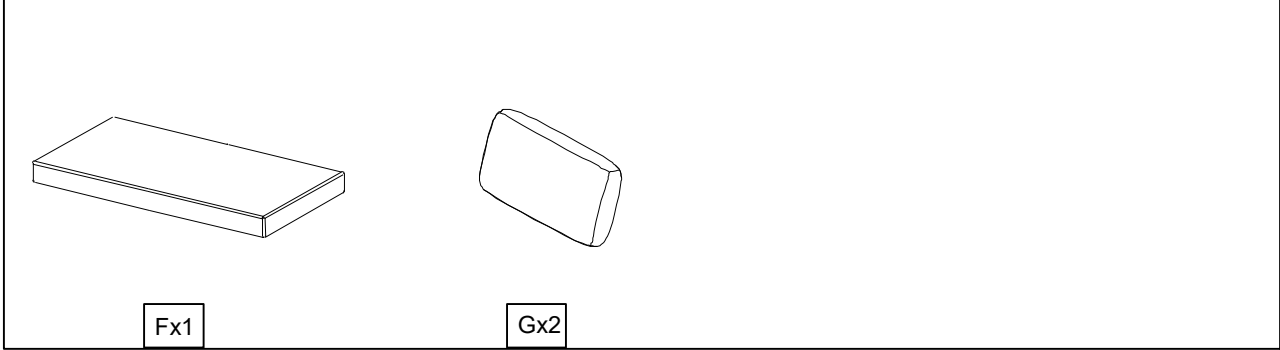
5

Left Love  
Corner

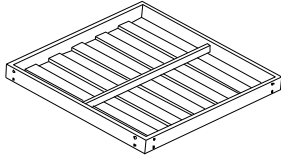


6

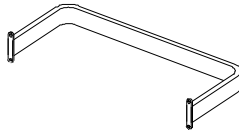
Left Love  
Corner



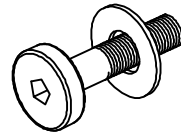
7



Lx1



Nx2

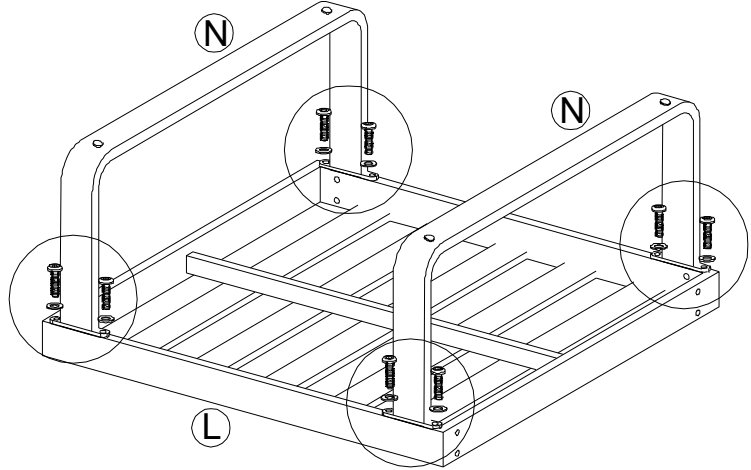
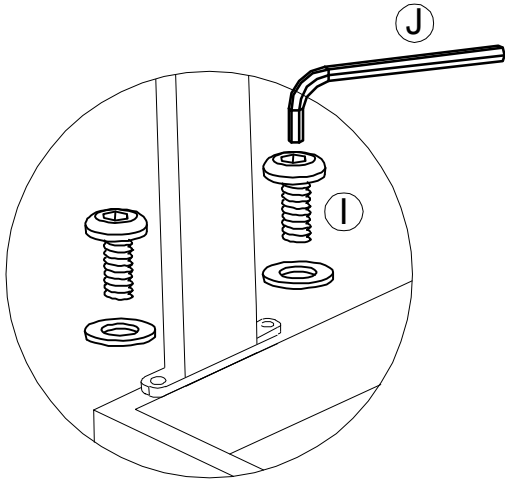


lx8

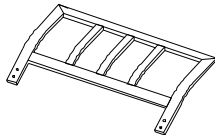


Jx1

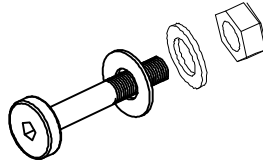
Corner



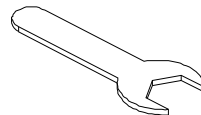
8



Mx1



Hx4

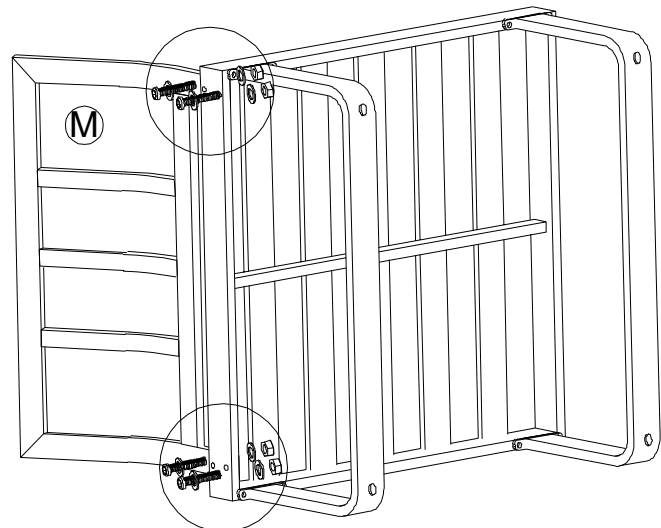
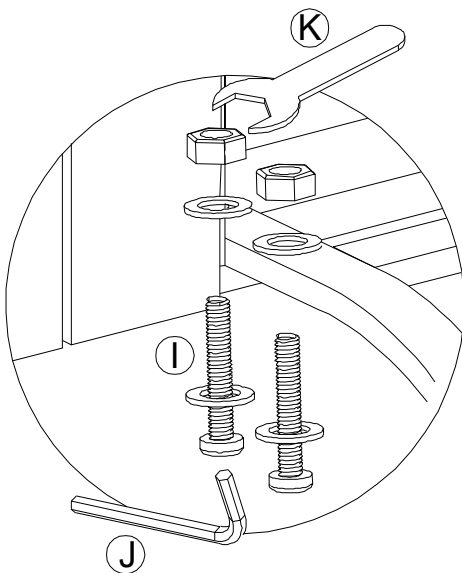


Kx1



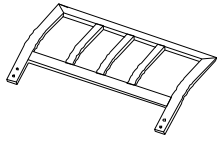
Jx1

Corner

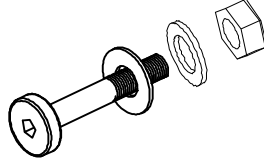


9

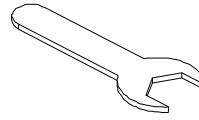
Corner



Mx1



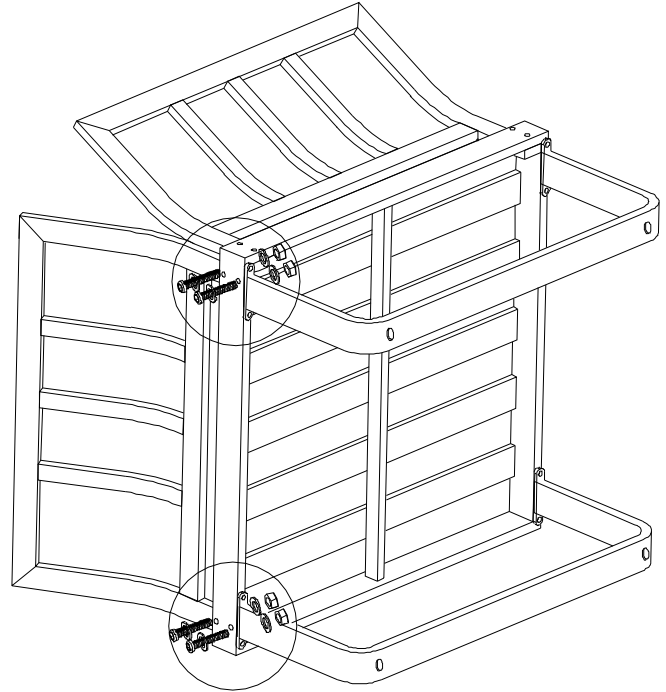
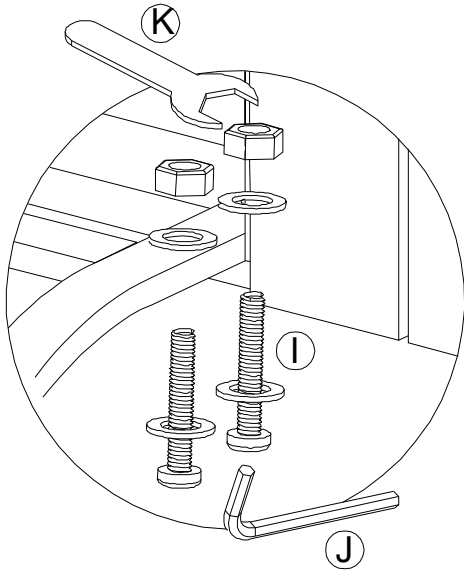
Hx4



Kx1

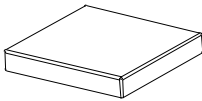


Jx1

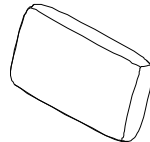


10

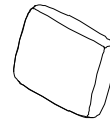
Corner



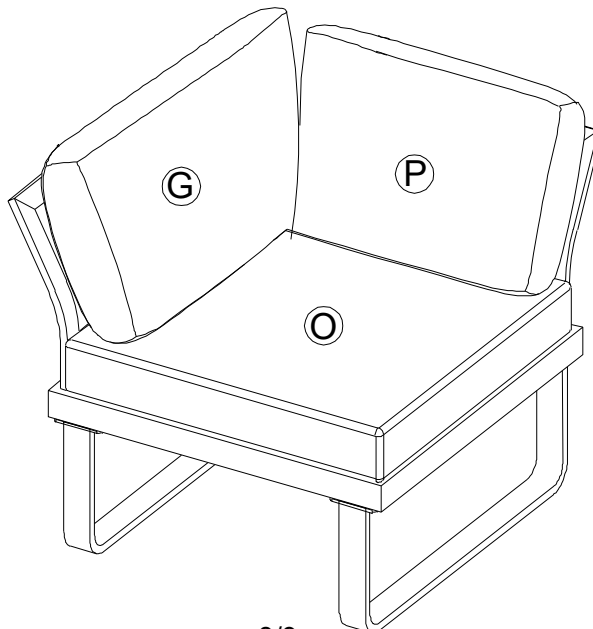
Ox1



Gx1

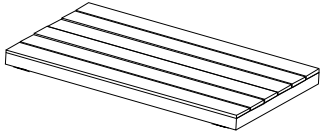


Px1

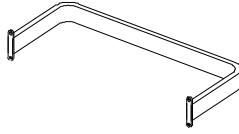


11

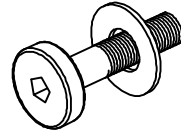
Table



Dx1



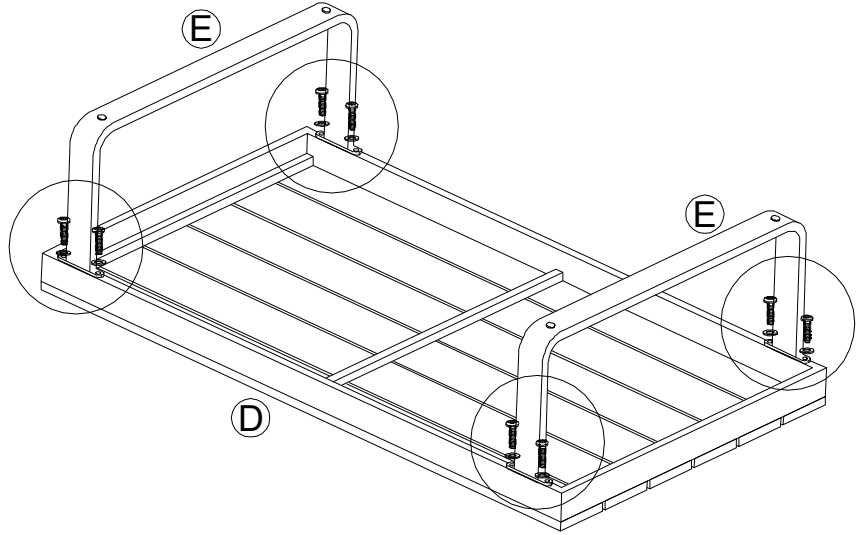
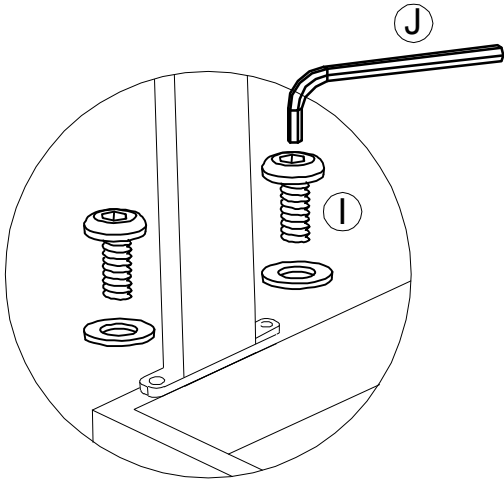
Ex2



Ix8



Jx1



12

Table

