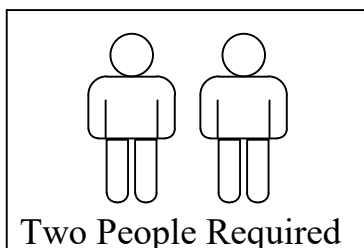
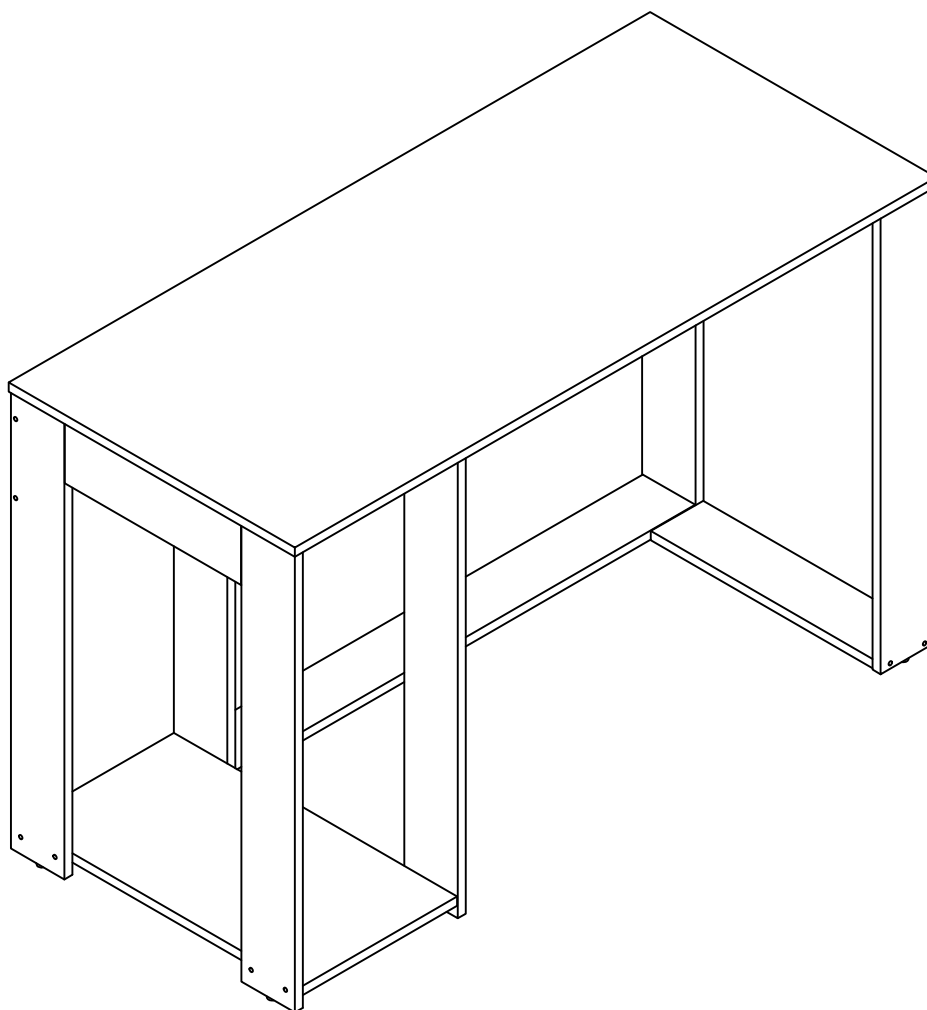
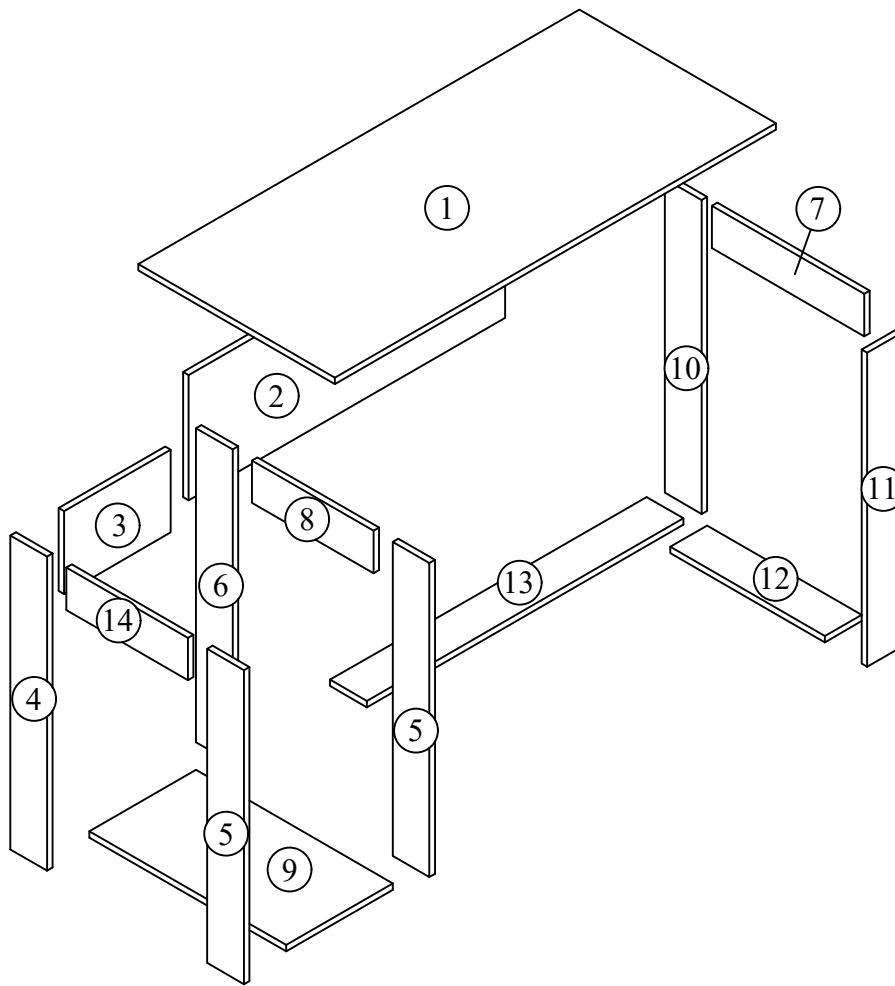


ASSEMBLY INSTRUCTIONS

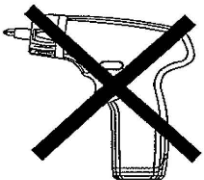




PARTS LIST

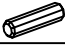









Carton 1 of 1:

Part	Description	Qty
1	Top Panel	1
2	Right Back Support Panel	1
3	Left Back Support Panel	1
4	Left Back Panel	1
5	Left & Middle Front Panel	2
6	Middle Back Panel	1
7	Right Support Panel	1
8	Middle Support Panel	1
9	Left Bottom Panel	1
10	Right Back Panel	1
11	Right Front Panel	1
12	Right Bottom Panel	1
13	Right Back Bottom Panel	1
14	Left Support Panel	1



**** WARNING: THE USE OF POWER TOOLS TO ASSEMBLE THIS PRODUCT WILL INVALIDATE ANY CLAIM AND MAY DAMAGE THIS PRODUCT MAKING IT UNSAFE.**

HARDWARE LIST: Carton 1 of 1

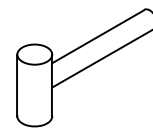
Part	Description	Qty
A	WOOD DOWEL M6 x 25mm 	16
B	CAM NUT 15mm 	22
C	CAM BOLT 	6
D	PVC NAIL 	6
E	WOOD DOWEL M8 x 50mm 	6
F	DOUBLE END BOLT 7mm 	8
G	JCBCW SCREW M5 x 40mm 	20
H	ALLEN KEY M6 	1
I	CSK SCREW M4 x 30mm 	2
J	PVC LEG AC-55 	2

**** You will need a screwdriver and a small mallet (NOT provided)**

Tools You Need:

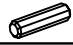







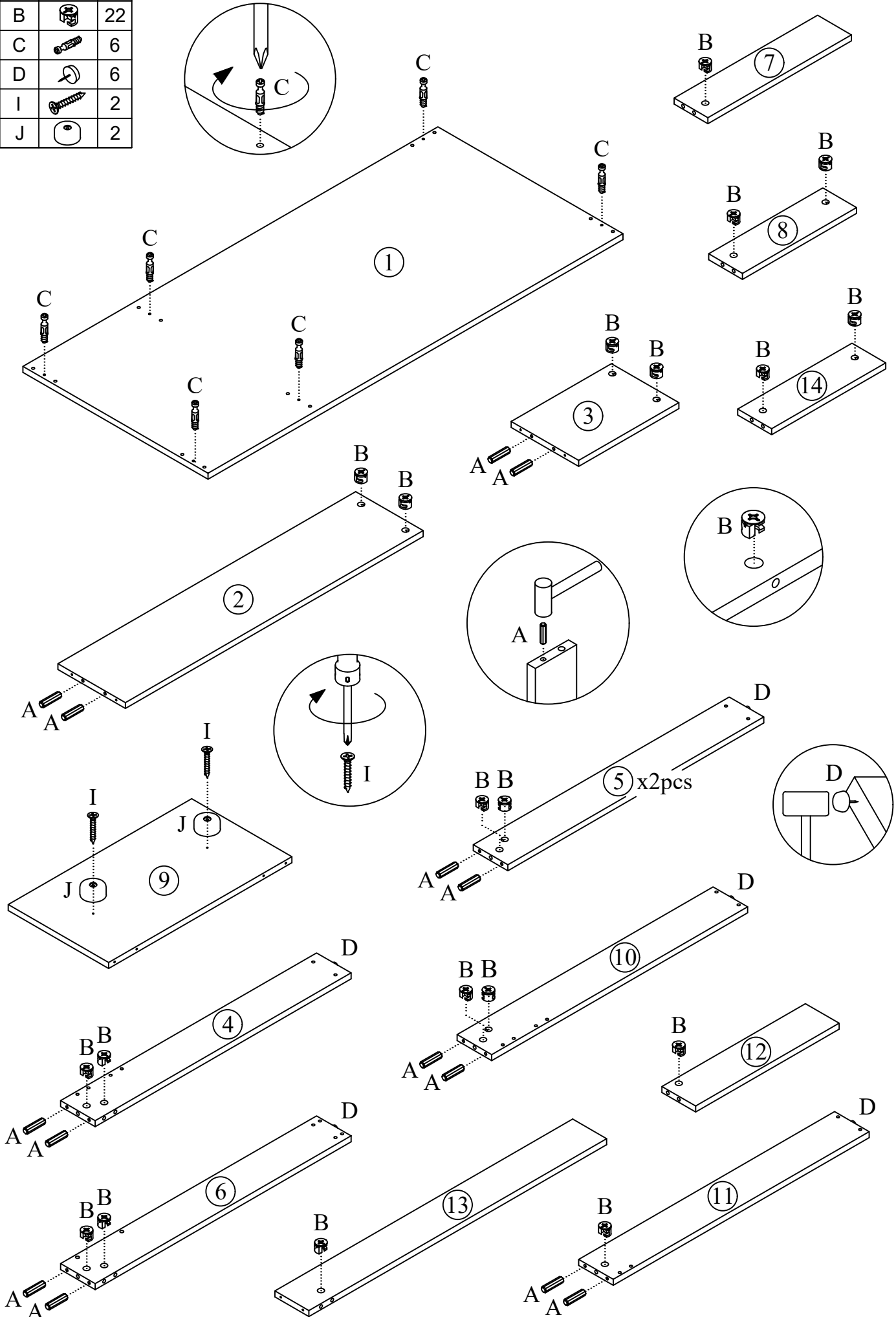
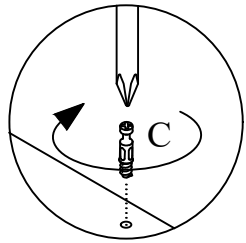
Philips Head Screwdriver



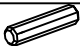

Soft Head Mallet

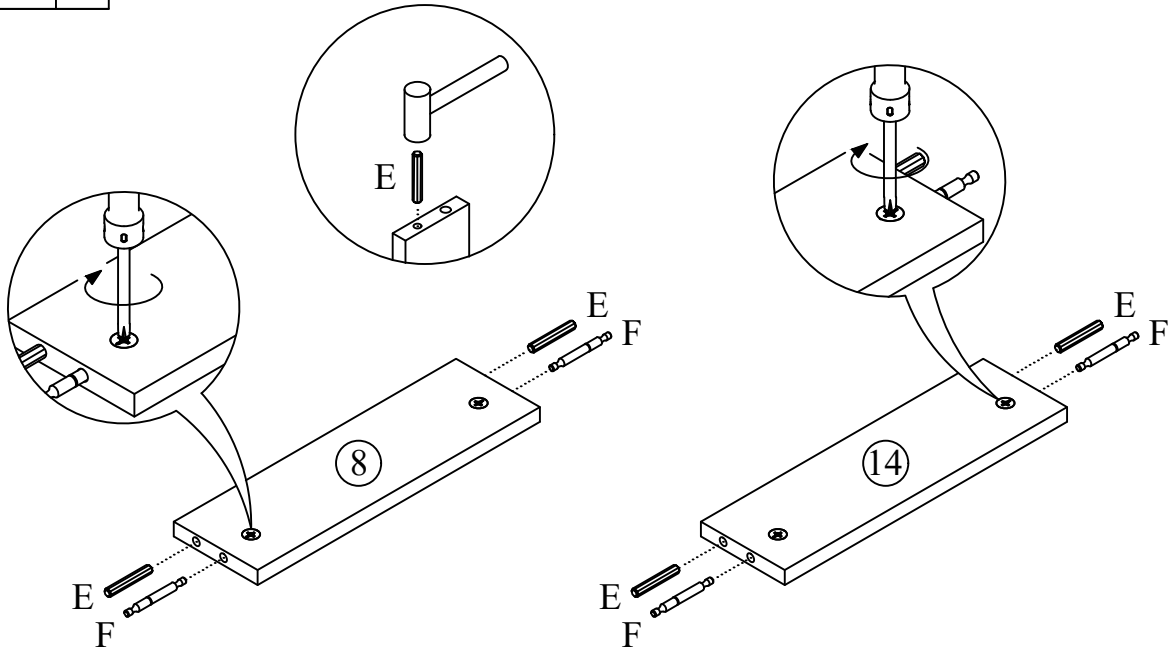
1

A		16
B		22
C		6
D		6
I		2
J		2

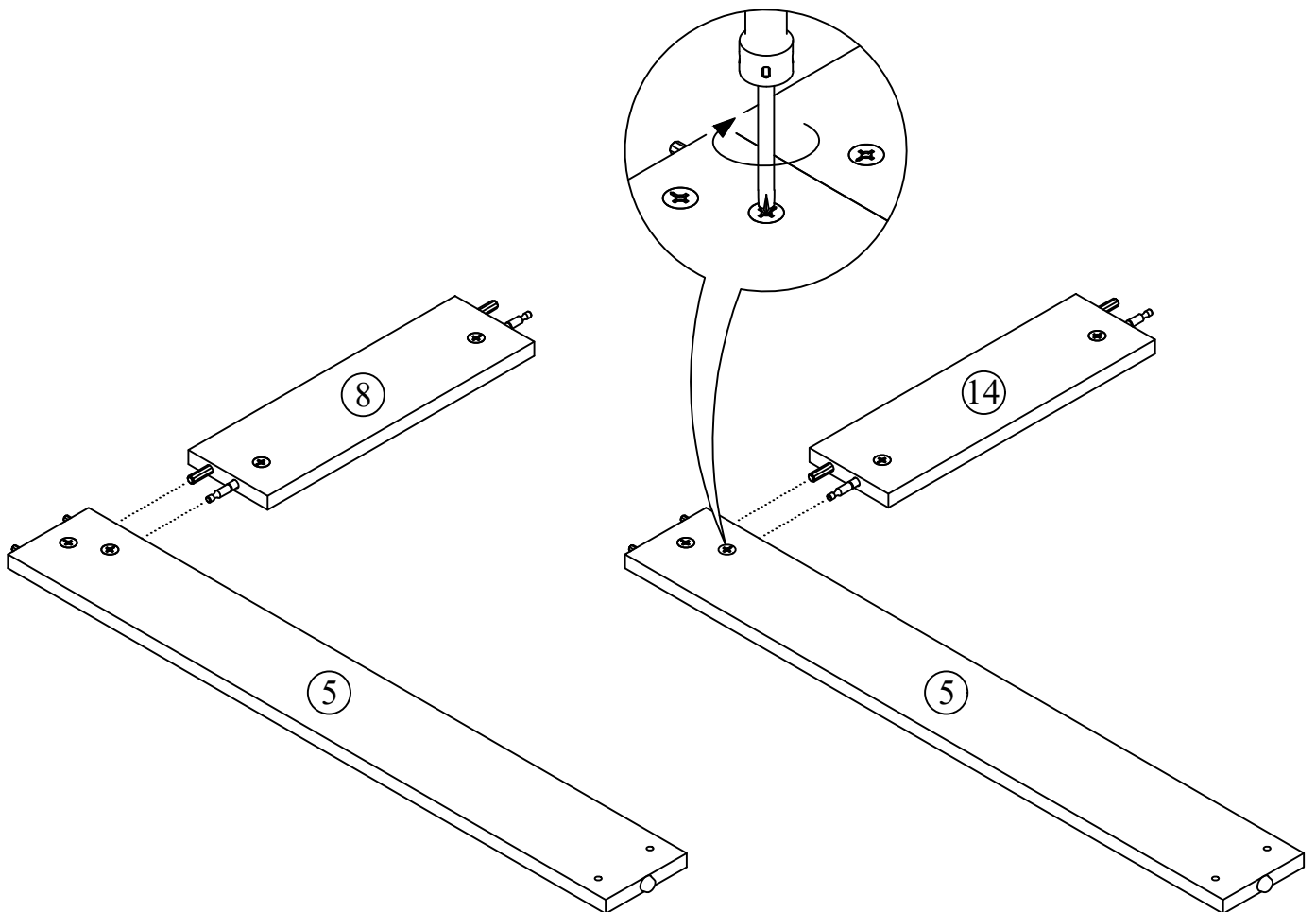


2

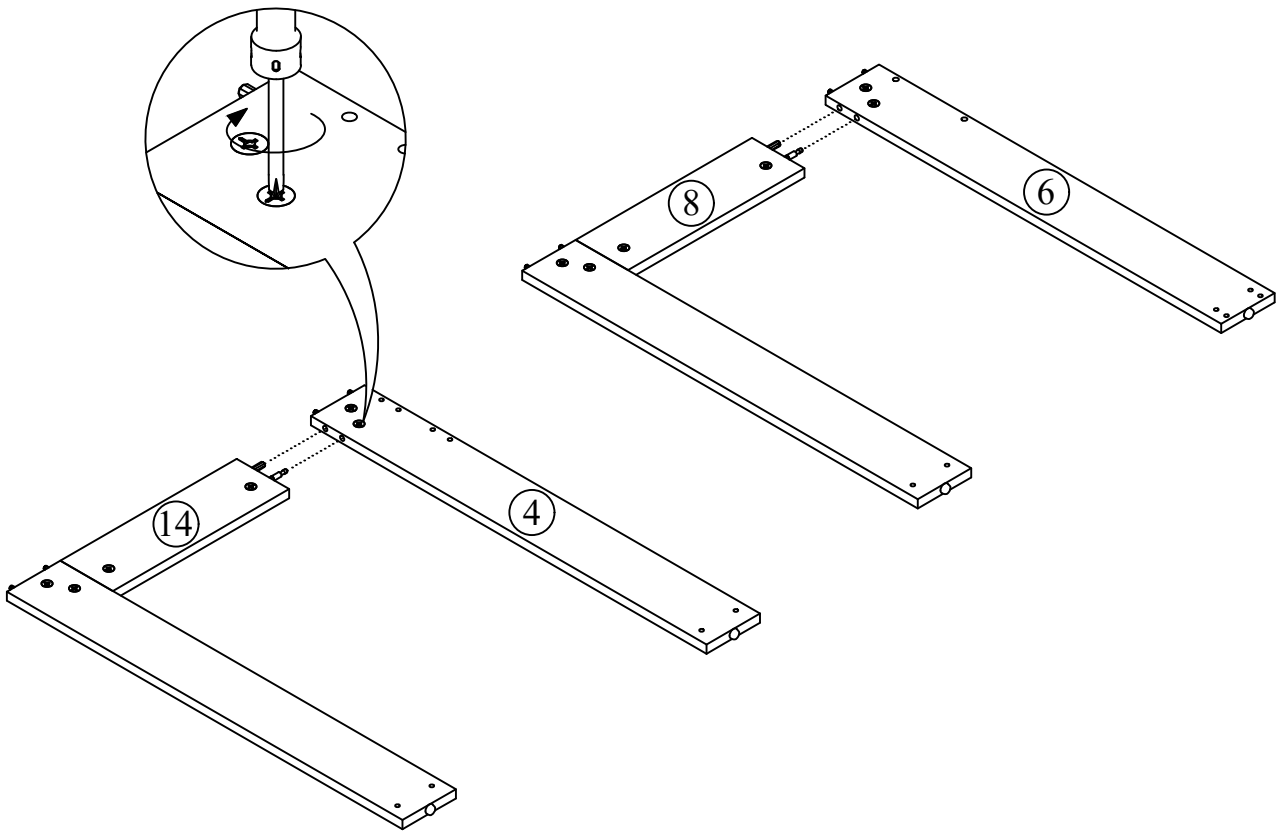
E		4
F		4



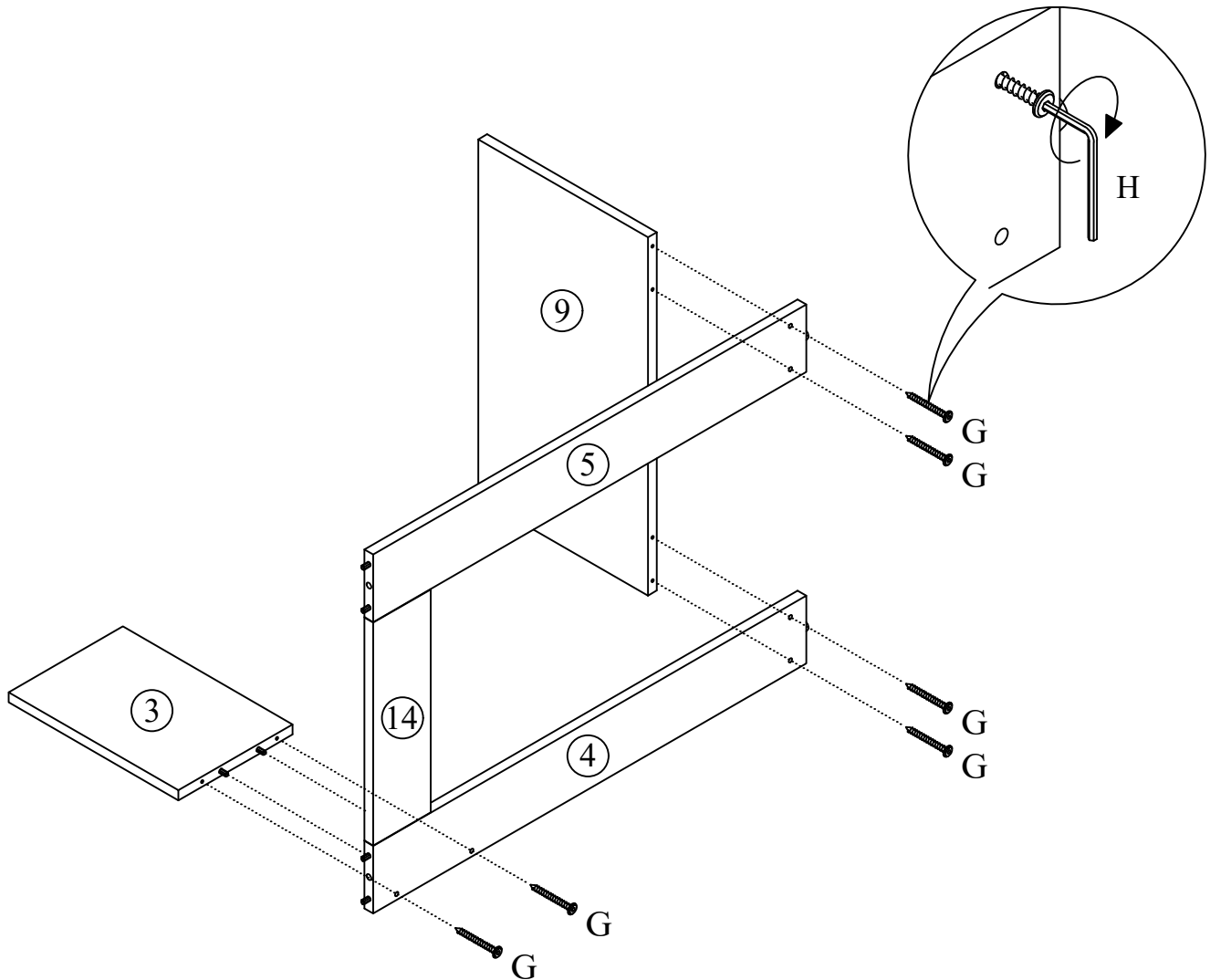
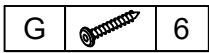
3





4

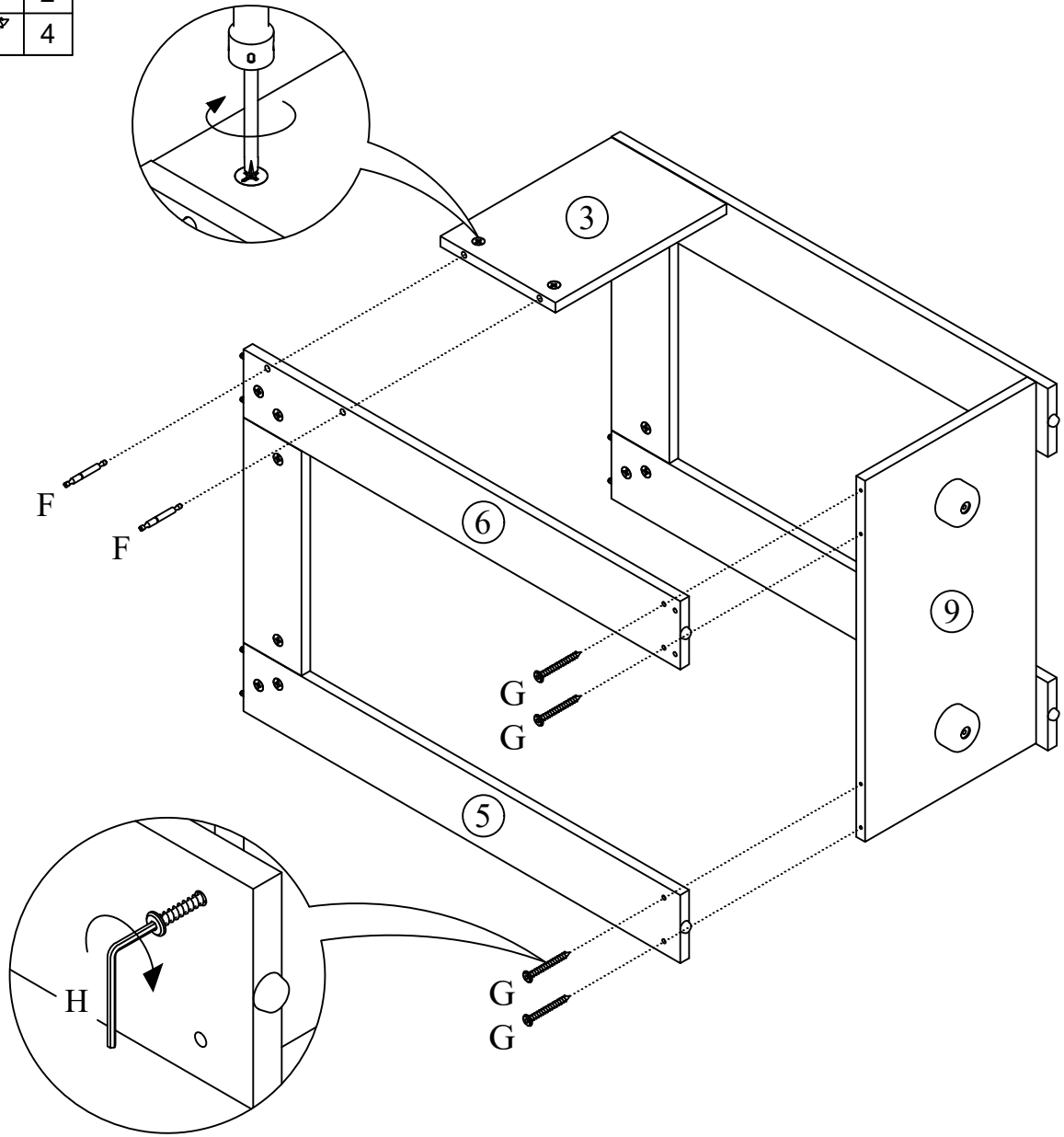




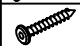
5

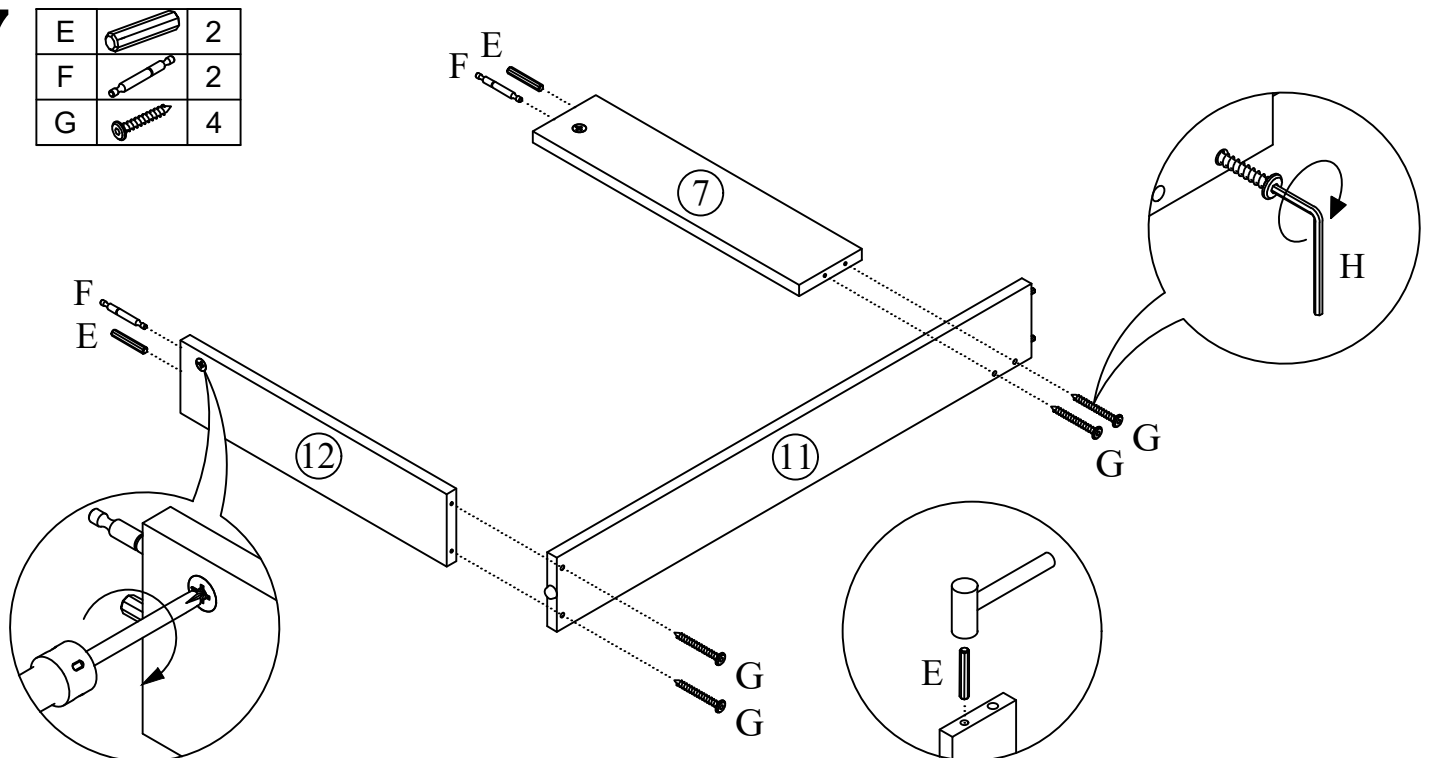


6

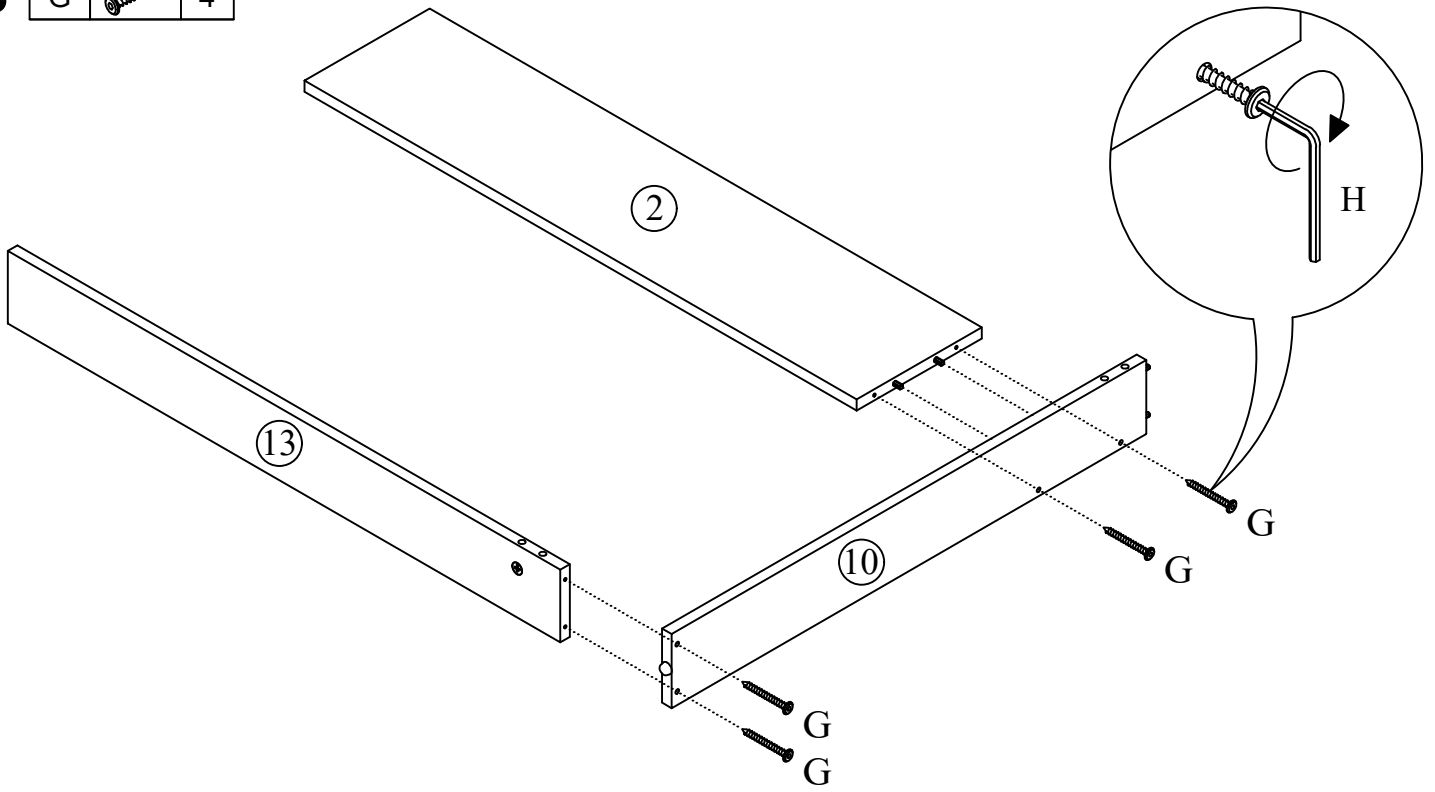
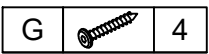
F		2
G		4

**7**

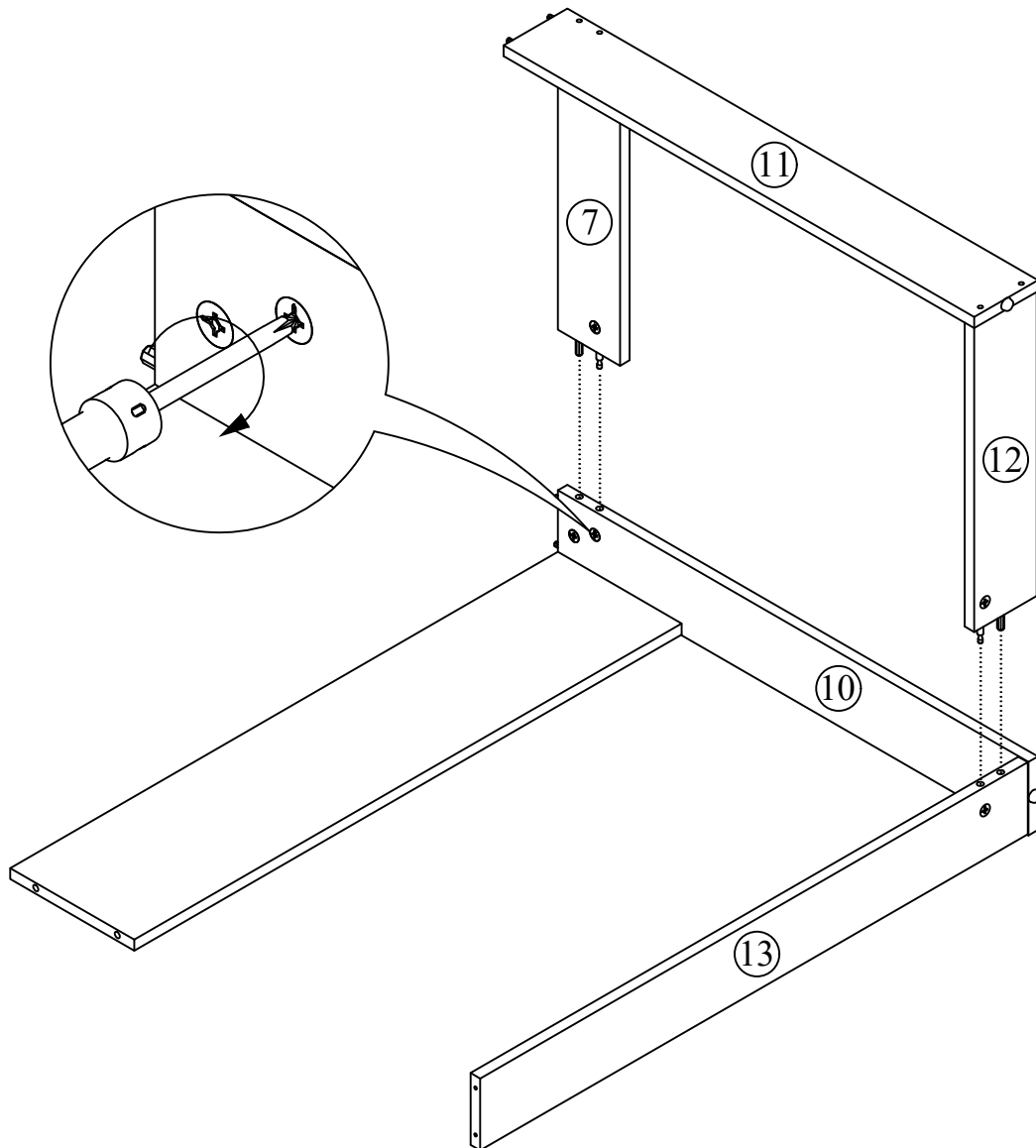
E		2
F		2
G		4



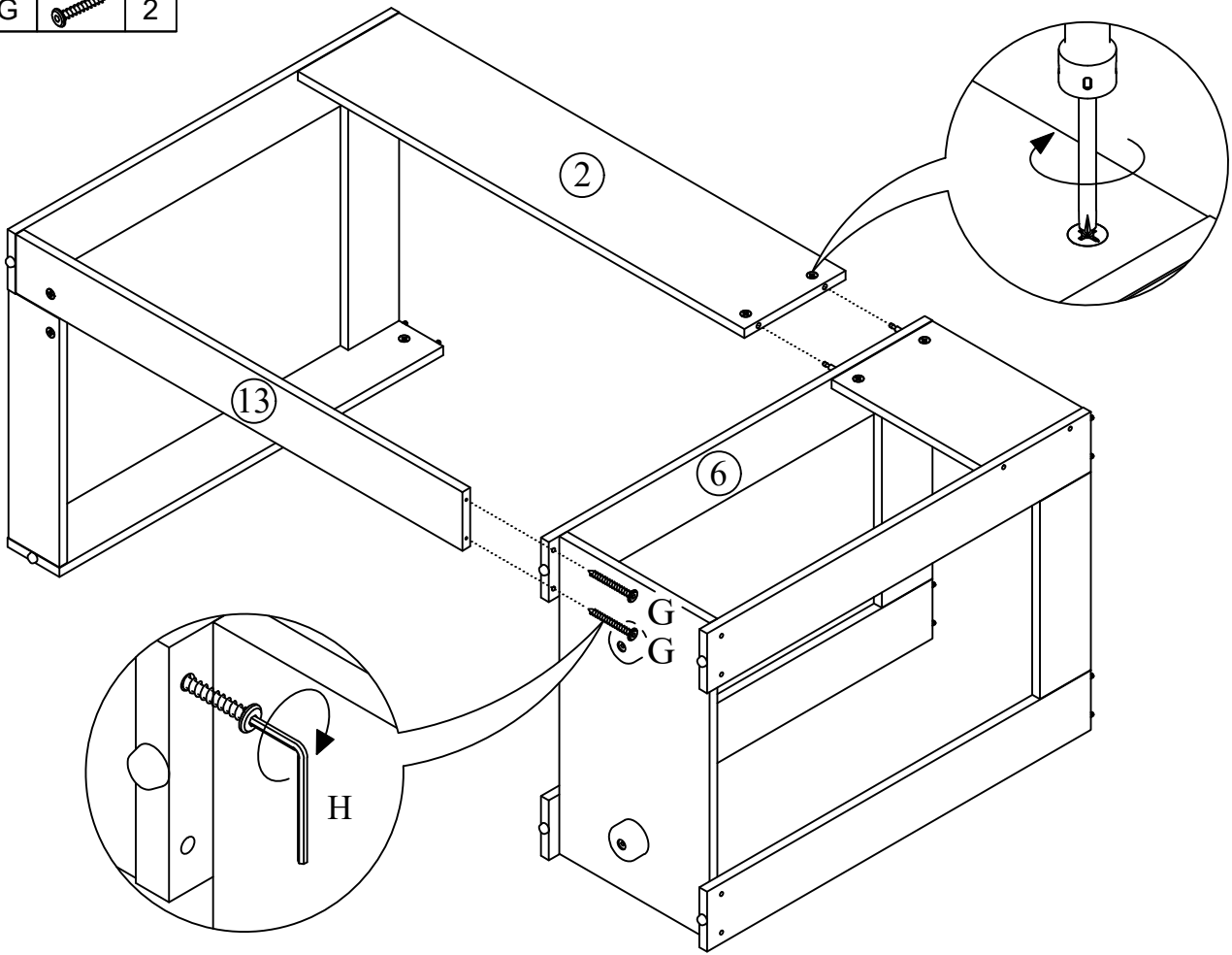
8



9



10 G 2



11

