

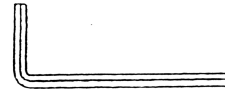
HOME VIDA

ASSEMBLY INSTRUCTION BAR STOOL

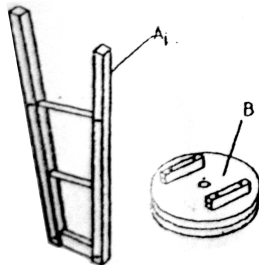
| NO. | QTY | DESCRIPTION |
|-----|-----|---------------------|
| A | 2 | SIDEPANEL |
| B | 1 | SEAT |
| C | 2 | ROUND STRIP (LONG) |
| D | 2 | ROUND STRIP (SHORT) |
| E | 8 | SCREW JCA 40 MM. |
| F | 1 | ALLEN KEY |



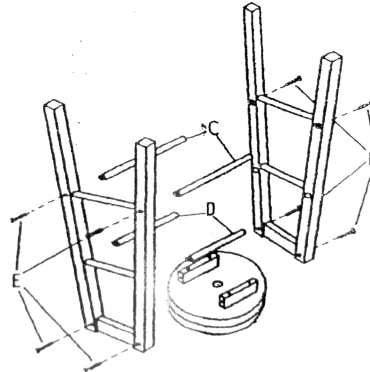
E



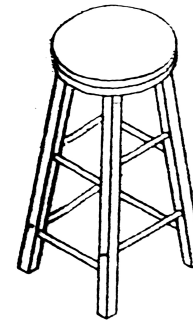
F



STEP 1



STEP 2



STEP 3